



US00D377202S

# United States Patent [19]

Rohan

[11] Patent Number: Des. 377,202

[45] Date of Patent: \*\*Jan. 7, 1997

[54] ROD

5,312,314 5/1994 Stephan et al. .... 482/93  
5,328,431 7/1994 Winslow ..... 482/93

[76] Inventor: **Wilma M. Rohan**, 496 Old Surrey Rd.,  
Hinsdale, Ill. 60521

Primary Examiner—Philip S. Hyder

[\*\*] Term: **14 Years**

[57] CLAIM

[21] Appl. No.: **52,617**

The ornamental design for a rod, as shown and described.

[22] Filed: **Apr. 1, 1996**

### DESCRIPTION

[52] U.S. Cl. .... **D21/191**; D21/198; D21/197

FIG. 1 is a perspective view of a rod showing my new design;

[58] Field of Search ..... D21/191, 198,  
D21/197; D8/14, 89, 88; 482/106, 107,  
108, 109, 110, 148, 93

FIG. 2 is a front elevation view thereof, the opposite side being identical;

FIG. 3 is a top view thereof; the bottom side being identical; and,

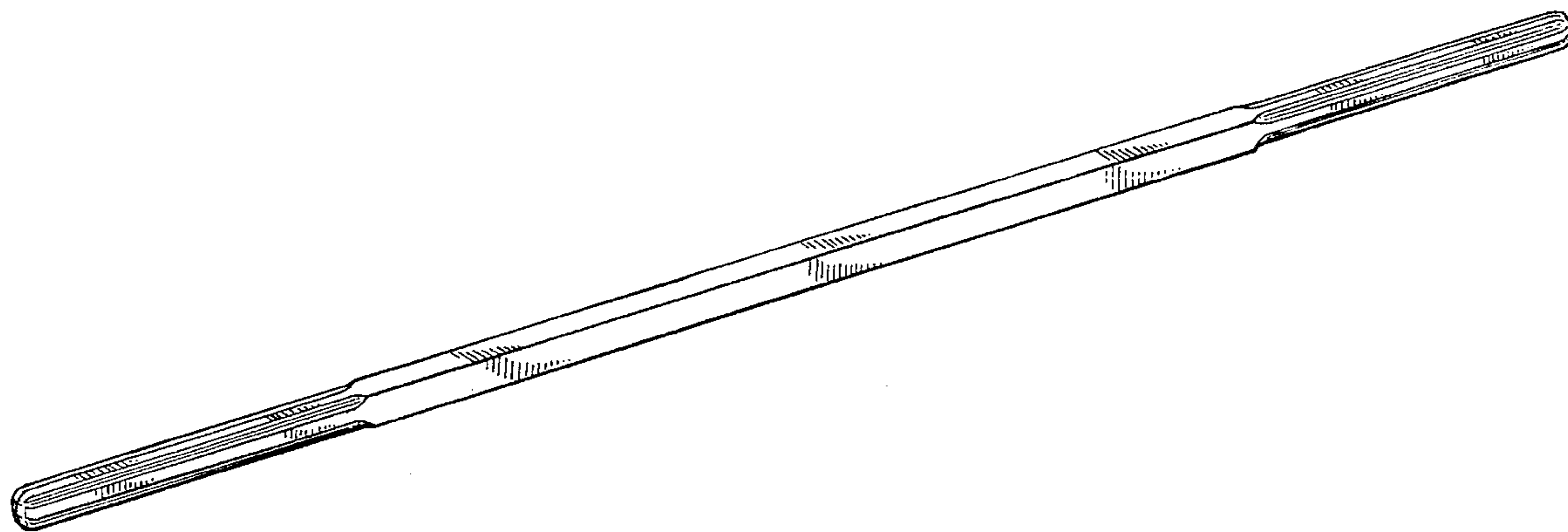
FIG. 4 is a right side elevation view thereof, the opposite side being identical.

[56] **References Cited**

#### U.S. PATENT DOCUMENTS

D. 301,269 5/1989 Lee ..... D21/197  
D. 343,875 2/1994 Webster ..... D21/191  
D. 365,861 1/1996 Moss, Jr. et al. .... D21/198

**1 Claim, 1 Drawing Sheet**



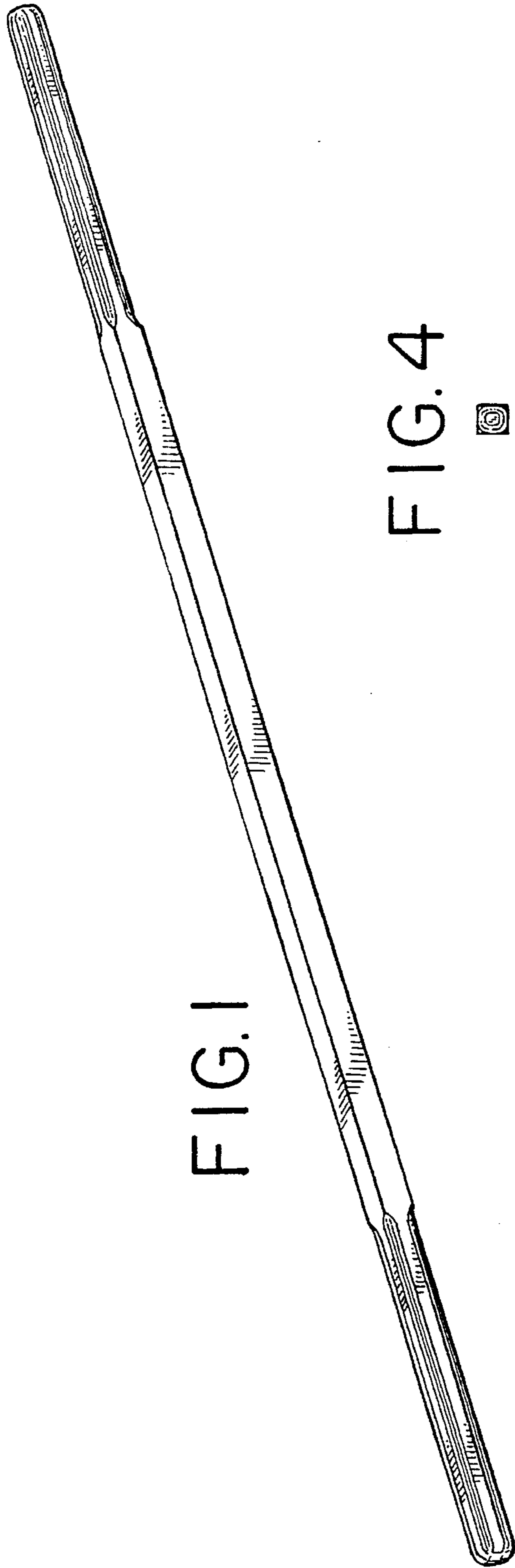


FIG. 1

FIG. 4



FIG. 2

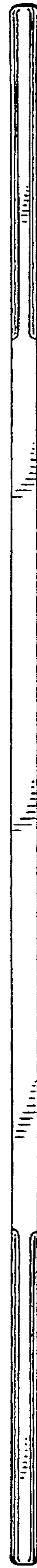


FIG. 3

