



US00D377197S

United States Patent [19]
McKoy, Sr.

[11] **Patent Number:** **Des. 377,197**
[45] **Date of Patent:** ****Jan. 7, 1997**

[54] **ADVERTISING DISPLAY KIOSK**
[76] Inventor: **V. Grainger McKoy, Sr.**, 490 Hwy. 261
North, Sumter, S.C. 29154
[**] Term: **14 Years**
[21] Appl. No.: **39,581**
[22] Filed: **May 31, 1995**
[52] U.S. Cl. **D20/10**
[58] Field of Search D20/10, 18, 19,
D20/20, 39, 40, 41, 42; 40/1, 540, 541,
542, 564, 584, 585, 624; D14/128, 133

D. 345,968 4/1994 Bruce et al. D20/10

Primary Examiner—Marcus A. Jackson
Attorney, Agent, or Firm—Michael A. Mann, P.A.

[57] **CLAIM**

The ornamental design for an advertising display kiosk, as shown and described.

DESCRIPTION

FIG. 1 is a front view of an advertising display kiosk showing my design;
FIG. 2 is a rear view of my design;
FIG. 3 is a top plan view thereof, with the bottom being a mirror image;
FIG. 4 is a perspective view of my design; and,
FIG. 5 is a right side elevational view thereof, with the opposite side being a mirror image.

[56] **References Cited**

U.S. PATENT DOCUMENTS

D. 330,392 10/1992 Vazeille et al. D20/10
D. 339,166 9/1993 Pearlson D20/10
D. 344,979 3/1994 Cohen D20/10

1 Claim, 2 Drawing Sheets

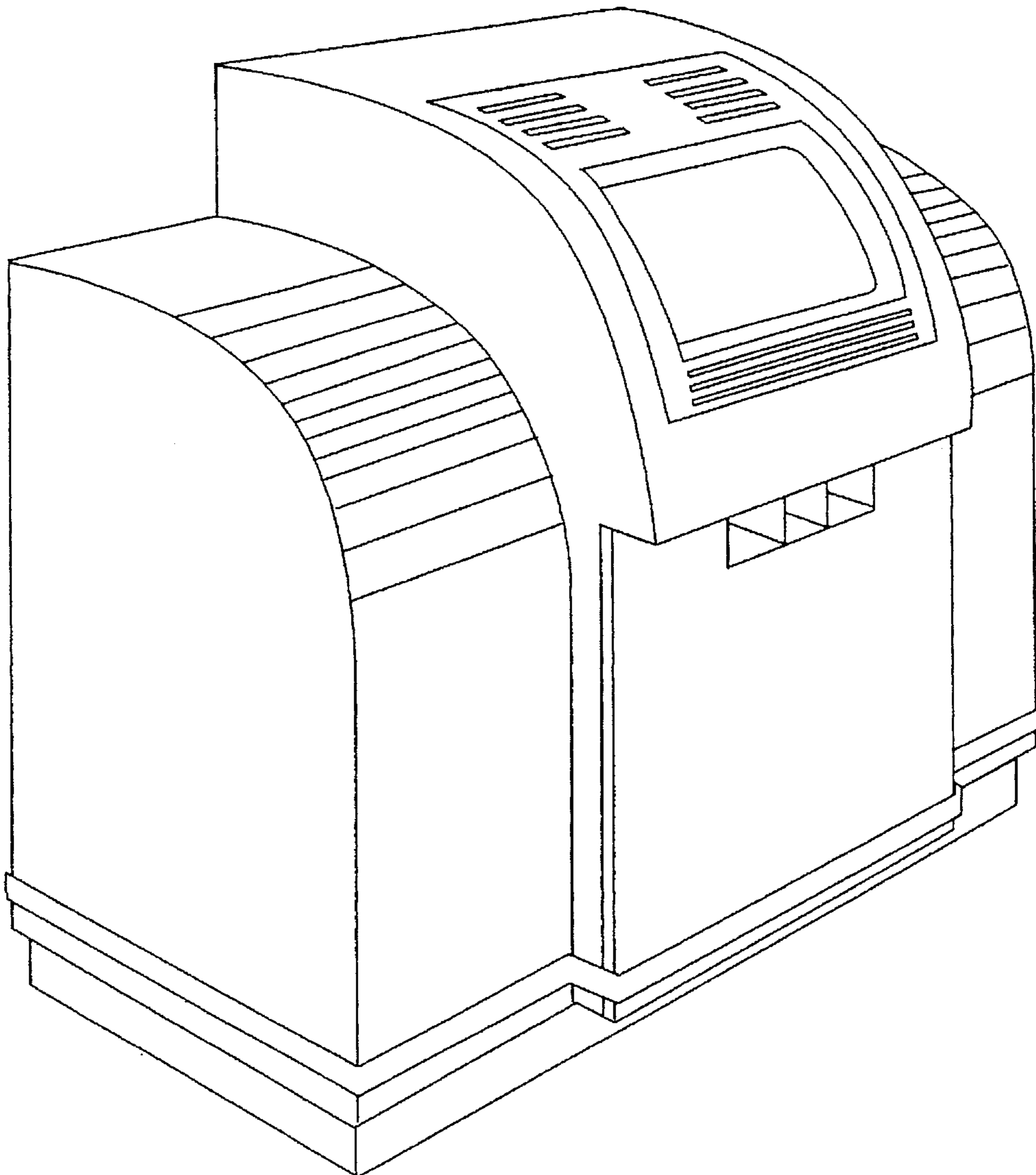


Fig 1-

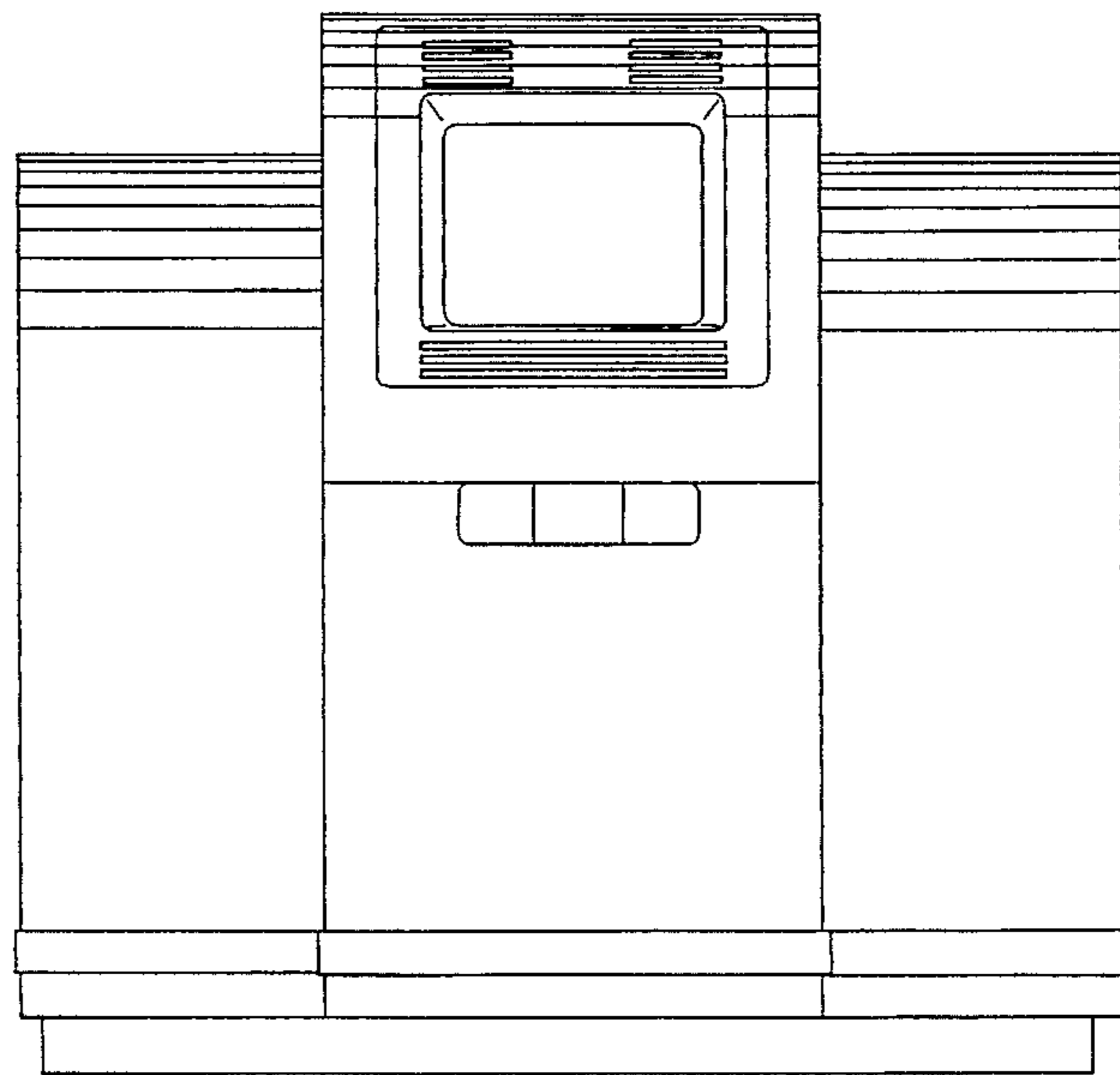


Fig 2-

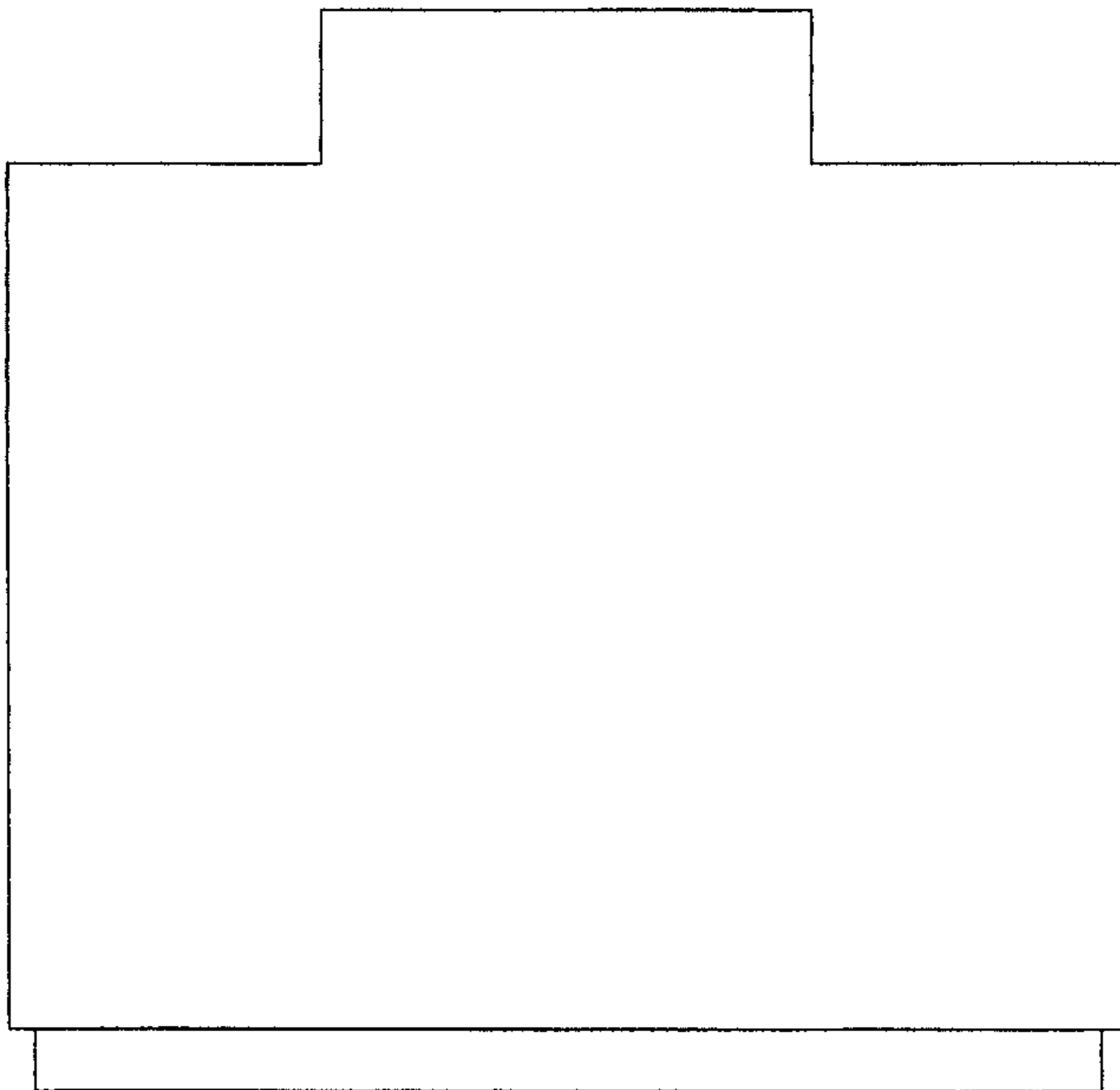


Fig 5-

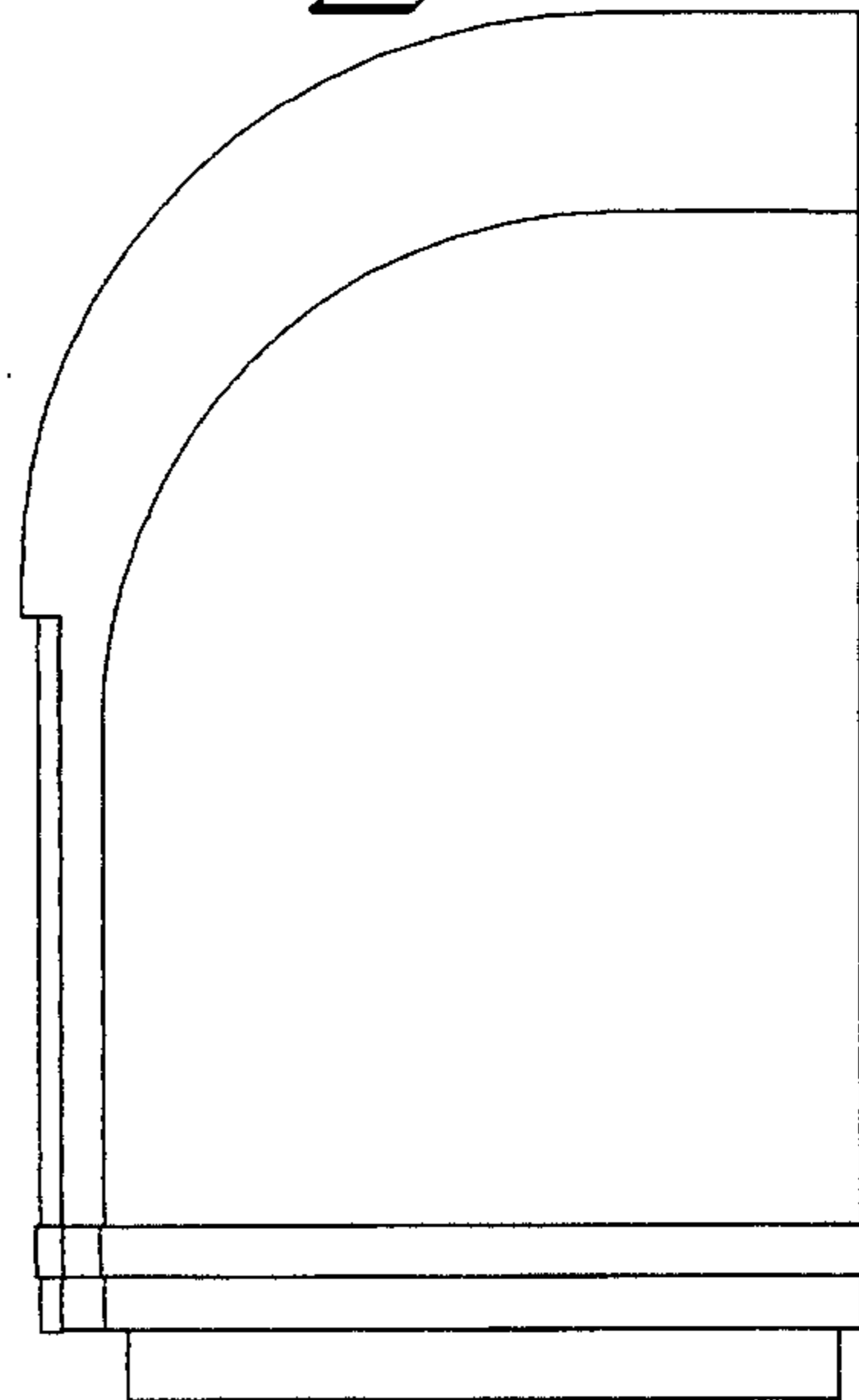


Fig 4-

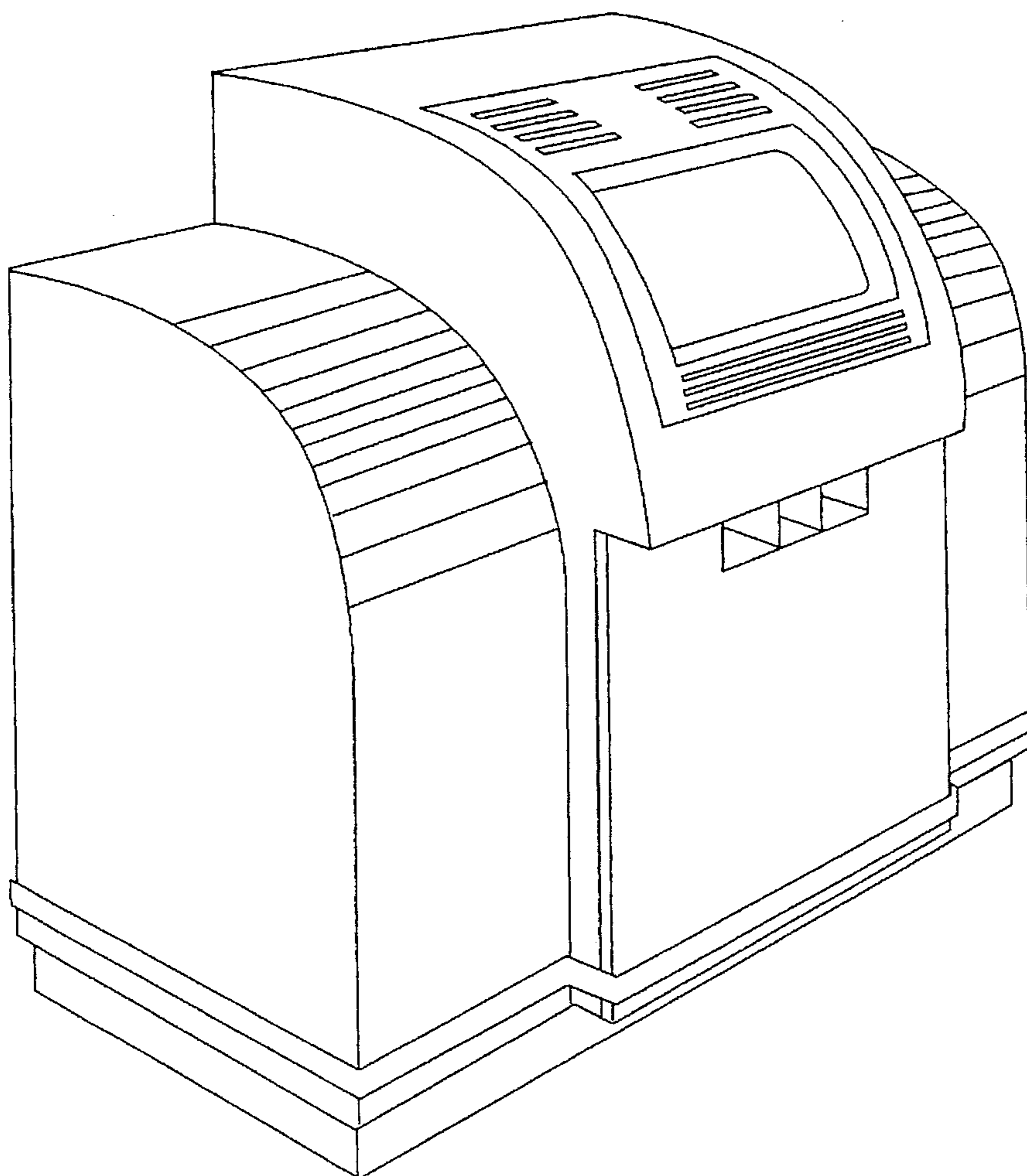


Fig 3-

