



US00D377186S

United States Patent [19]

Fukuda

[11] Patent Number: **Des. 377,186**

[45] Date of Patent: ****Jan. 7, 1997**

[54] **CAMERA FOR TAKING CONSECUTIVE EXPOSURES**

[75] Inventor: **Hiroshi Fukuda**, Tokyo, Japan

[73] Assignee: **Fuji Photo Film Co., Ltd.**, Kanagawa, Japan

[**] Term: **14 Years**

[21] Appl. No.: **50,760**

[22] Filed: **Feb. 26, 1996**

[30] Foreign Application Priority Data

Aug. 28, 1995 [JP] Japan 7-25028

[52] U.S. Cl. **D16/208**

[58] Field of Search D16/200-204,
D16/208, 209, 211, 212, 213, 217, 218;
D9/418, 432; 354/75, 64, 65, 126, 149.11,
202, 288

[56] References Cited

U.S. PATENT DOCUMENTS

- D. 330,563 10/1992 Kohno et al. D16/208
- D. 330,564 10/1992 Kohno D16/208
- D. 332,109 12/1992 Kohno et al. D16/208

- D. 338,220 8/1993 Kohno et al. D16/208
- D. 353,607 12/1994 Kamitani D16/208
- D. 359,745 6/1995 Arai D16/208
- 4,973,998 11/1990 Gates 354/145.1
- 5,477,291 12/1995 Mikami et al. 354/120

Primary Examiner—Ted Shooman
Assistant Examiner—Adir Aronovich
Attorney, Agent, or Firm—Young & Thompson

[57] CLAIM

The ornamental design for a camera for taking consecutive exposures, as shown.

DESCRIPTION

FIG. 1 is a front, top and side perspective view of a camera for taking consecutive exposures, showing my new design; FIG. 2 is a front elevational view thereof; FIG. 3 is a rear elevational view thereof; FIG. 4 is a top plan view thereof; FIG. 5 is a bottom plan view thereof; FIG. 6 is a side elevational view thereof from the left of FIG. 2; and, FIG. 7 is a side elevational view thereof from the right of FIG. 2.

1 Claim, 3 Drawing Sheets

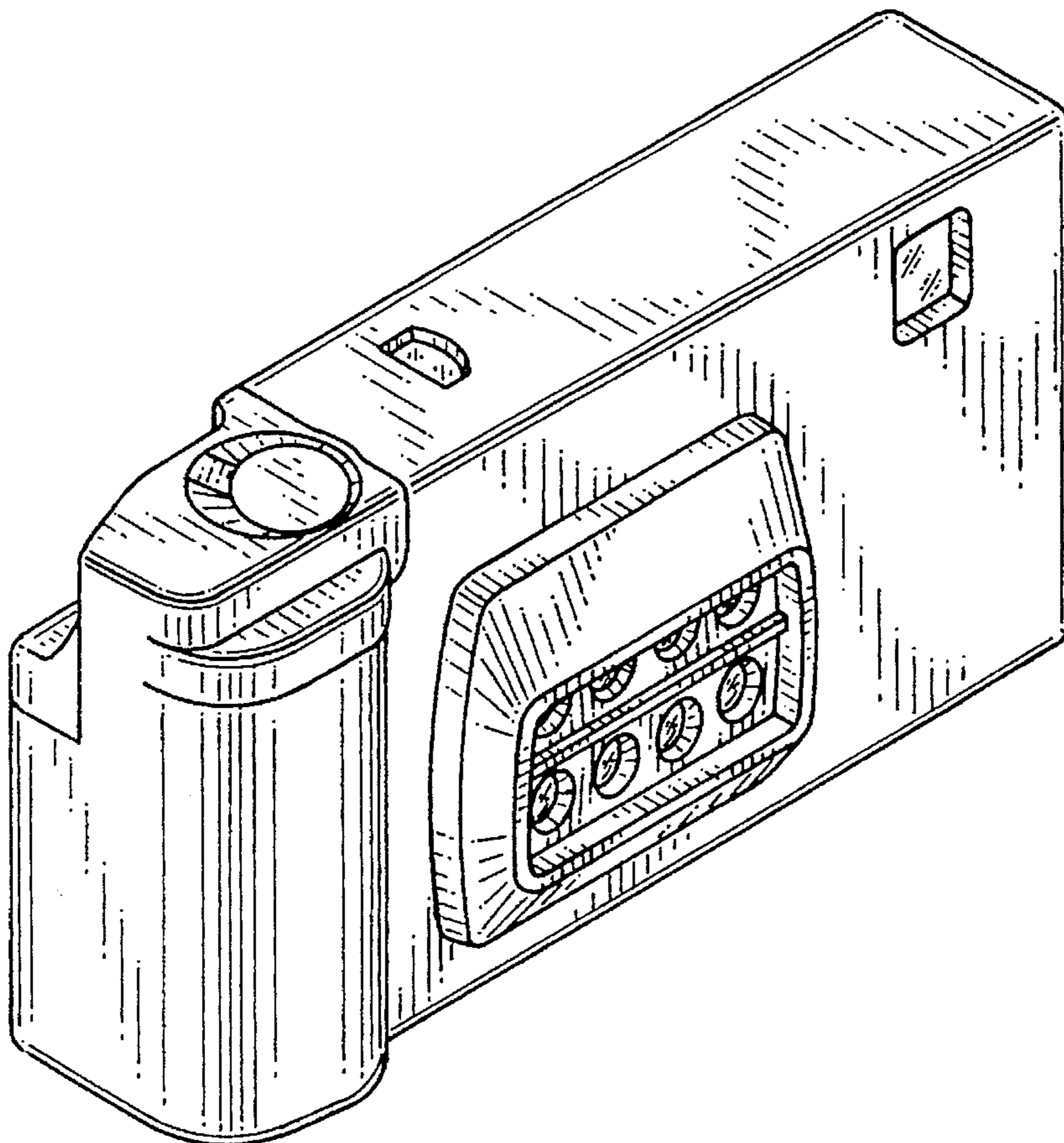


FIG. 1

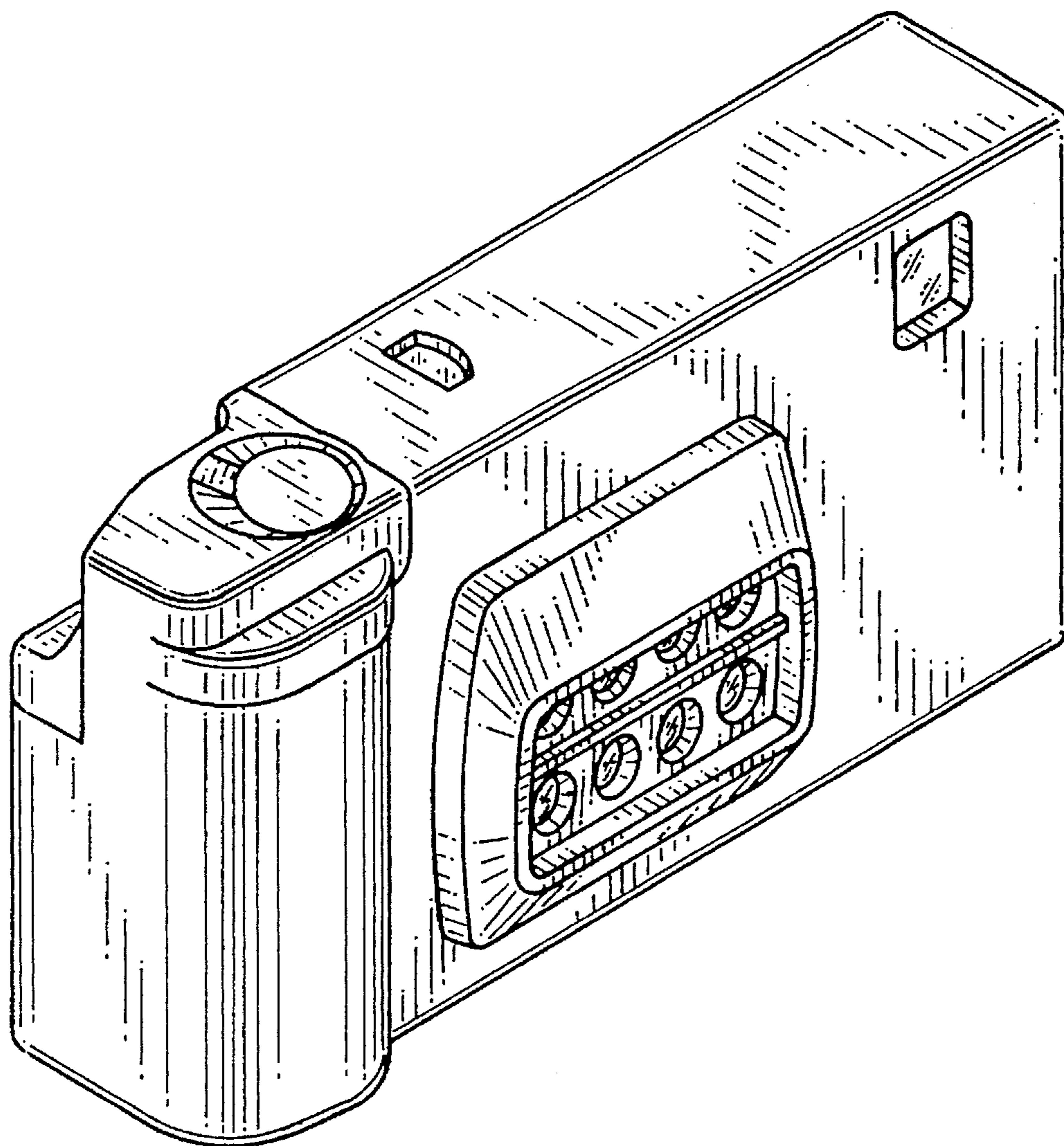


FIG. 2

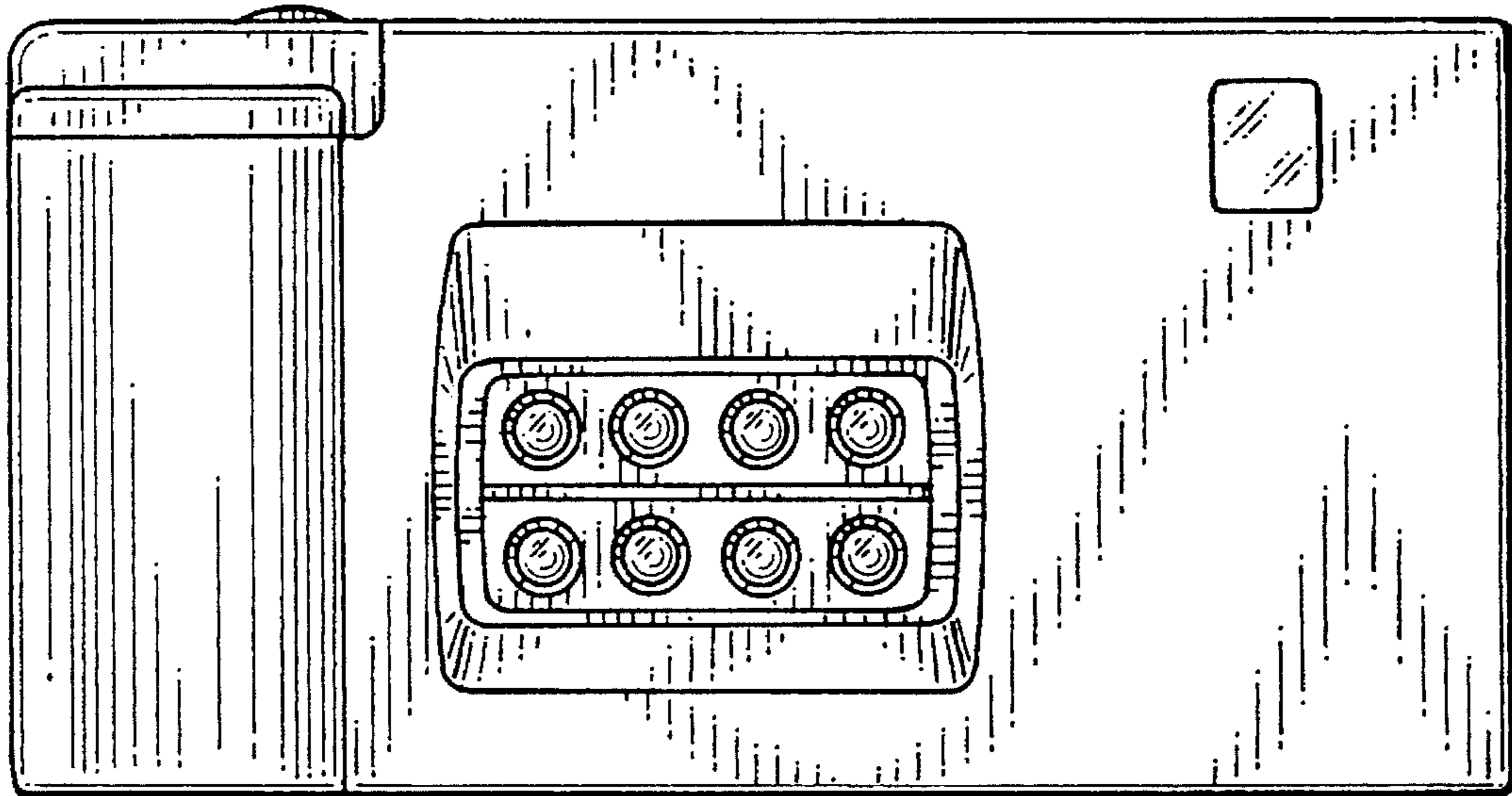


FIG. 3

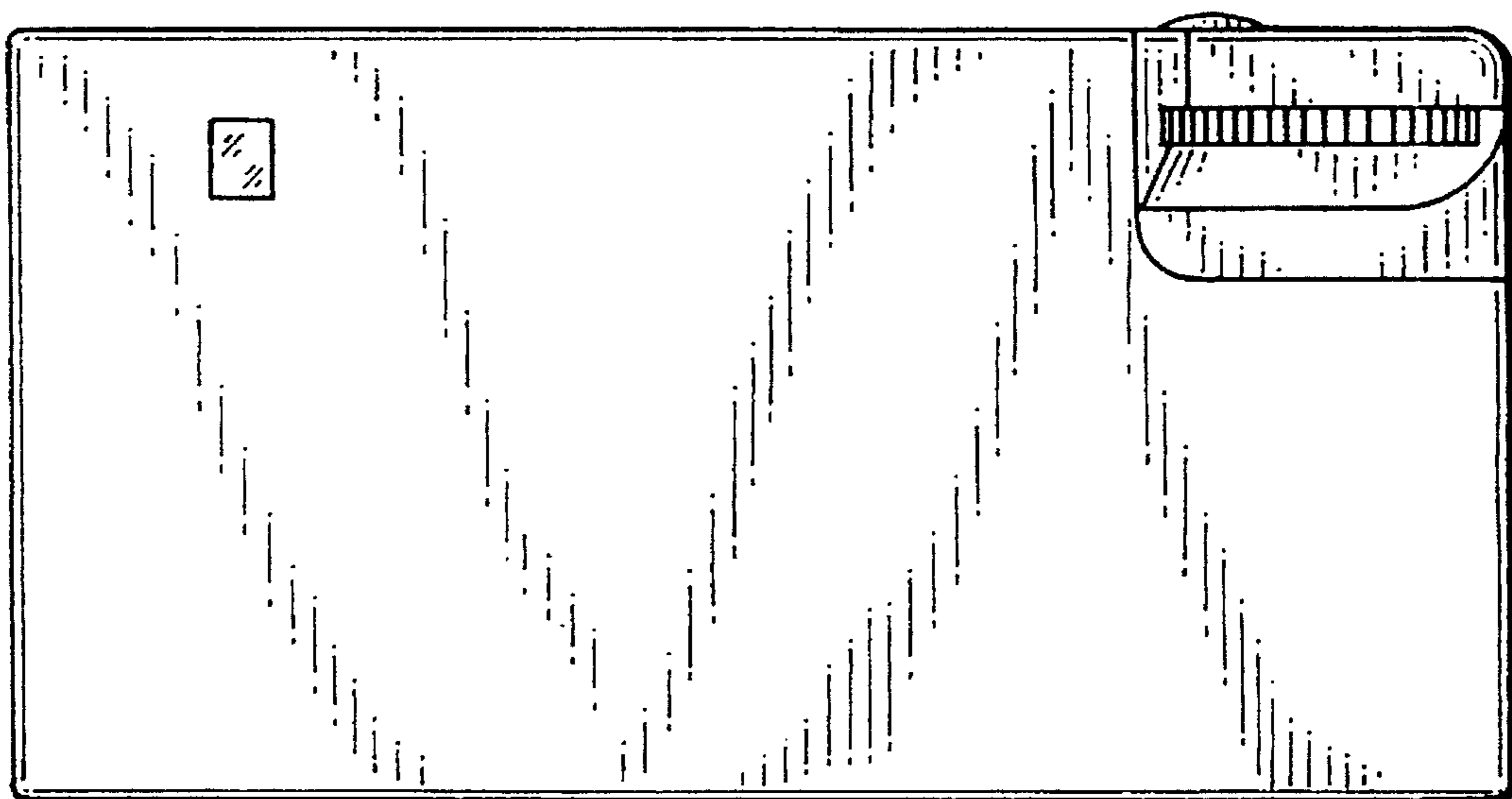


FIG. 4

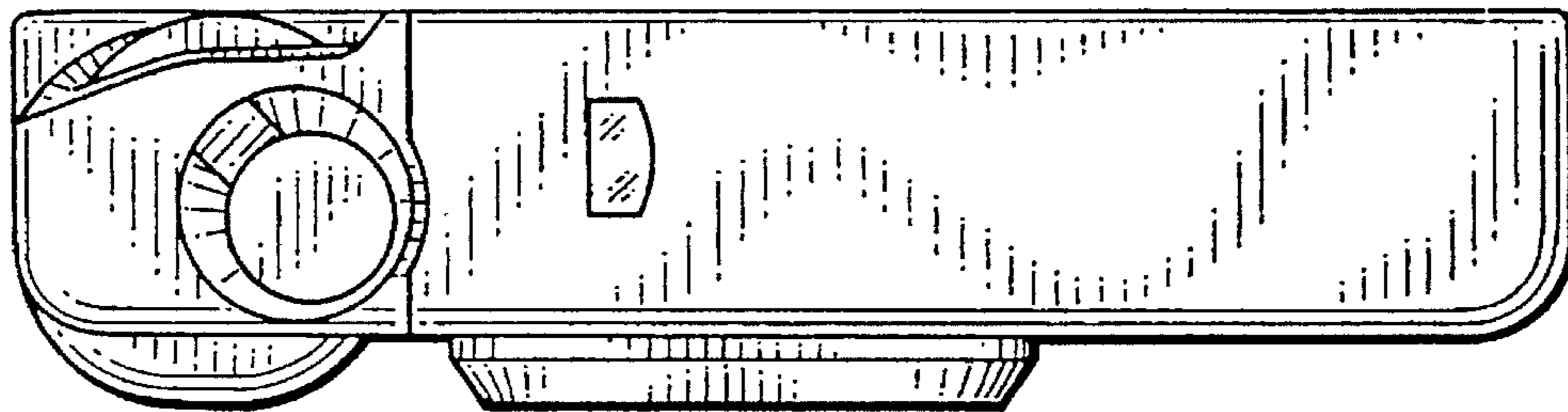


FIG. 5

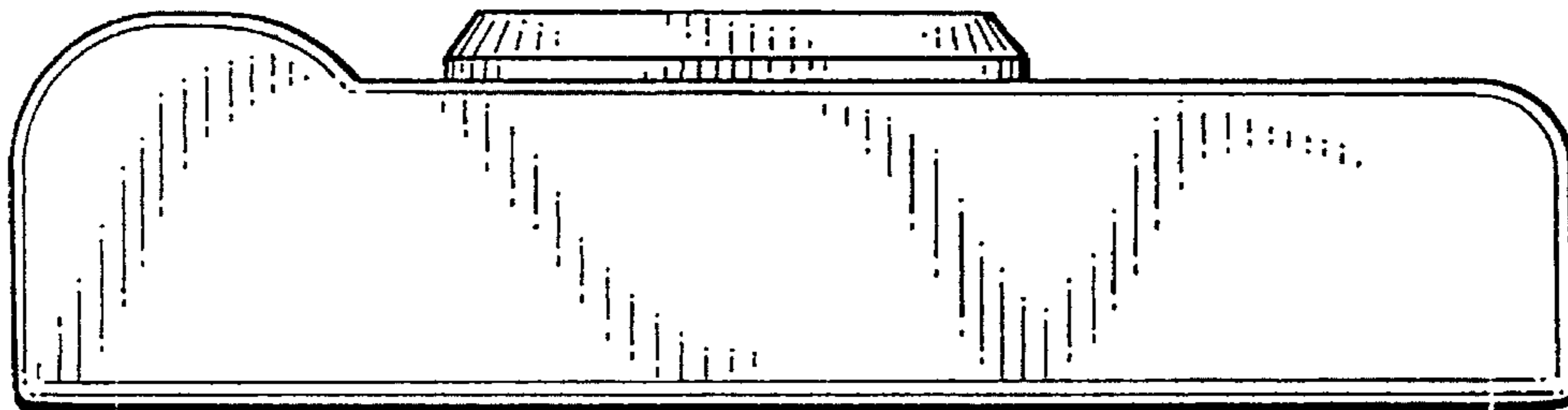


FIG. 6

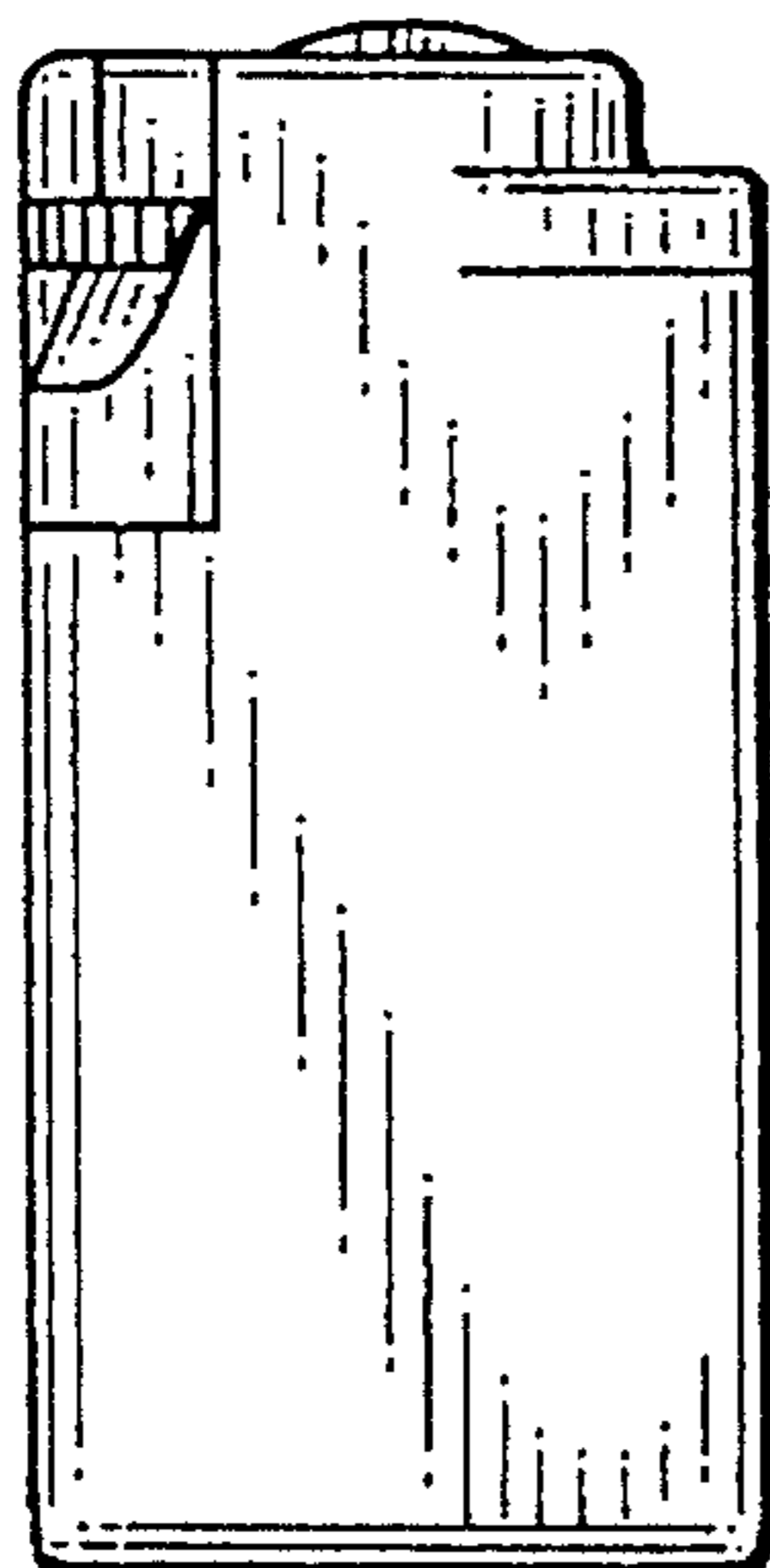


FIG. 7

