



US00D377185S

United States Patent [19]
Nojima

[11] **Patent Number: Des. 377,185**
[45] **Date of Patent: **Jan. 7, 1997**

[54] **BINOCULARS**

[75] Inventor: **Akira Nojima**, Fussa, Japan

[73] Assignee: **Nikon Corporation**, Tokyo, Japan

[**] Term: **14 Years**

[21] Appl. No.: **29,633**

[22] Filed: **Oct. 12, 1994**

[52] **U.S. Cl.** **D16/133**; D16/132

[58] **Field of Search** D16/130, 132,
D16/133; 33/245; 250/330, 333; 353/DIG. 3;
354/76, 79; 356/142, 545; 359/353, 399,
405, 407, 409, 411, 412, 413, 415, 417,
419, 420, 480, 804, 809, 816; 40/367; 194/210

[56] **References Cited**

U.S. PATENT DOCUMENTS

D. 305,433 1/1990 Kobayashi D16/133

OTHER PUBLICATIONS

Bass Pro Shop Hunting Cat., 1992, p. 139 "#D. Nikon Execulite II", bottom right corner of page.

The Sharper Image Holiday 1993, "Ruby Zoom Binoculars", right center of page.

Primary Examiner—Louis S. Zarfes
Assistant Examiner—Monica A. Hannon
Attorney, Agent, or Firm—Oliff & Berridge

[57] **CLAIM**

The ornamental design for binoculars, as shown and described.

DESCRIPTION

FIG. 1 is a front elevational view of binoculars showing the design;

FIG. 2 is a rear elevational view thereof;

FIG. 3 is a left side elevational view thereof;

FIG. 4 is a right side elevational view thereof;

FIG. 5 is a top plan view thereof;

FIG. 6 is a bottom plan view thereof;

FIG. 7 is a front perspective view thereof in an open position; and,

FIG. 8 is a front perspective view thereof in a closed position.

1 Claim, 4 Drawing Sheets

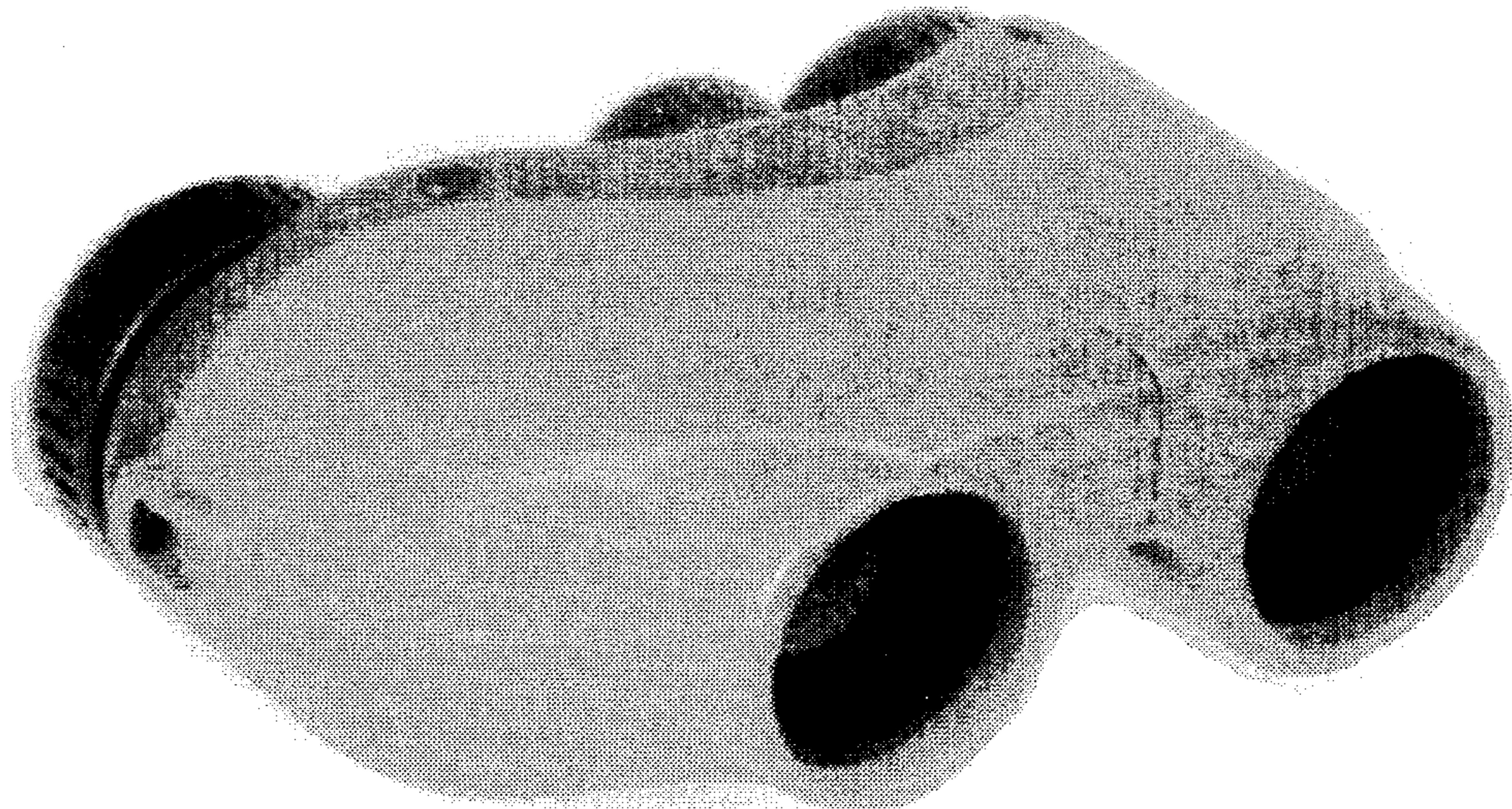


FIG. 1

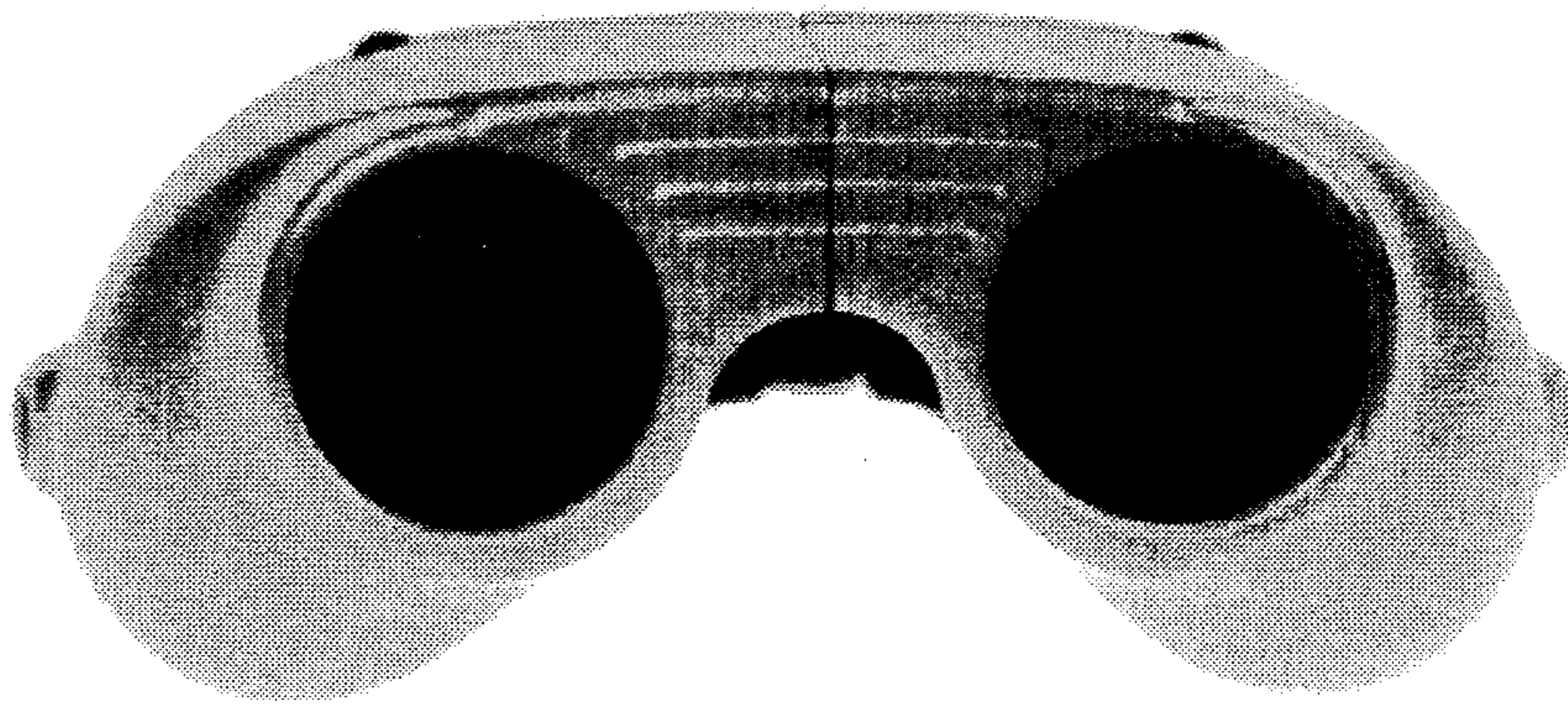


FIG. 2



FIG. 3

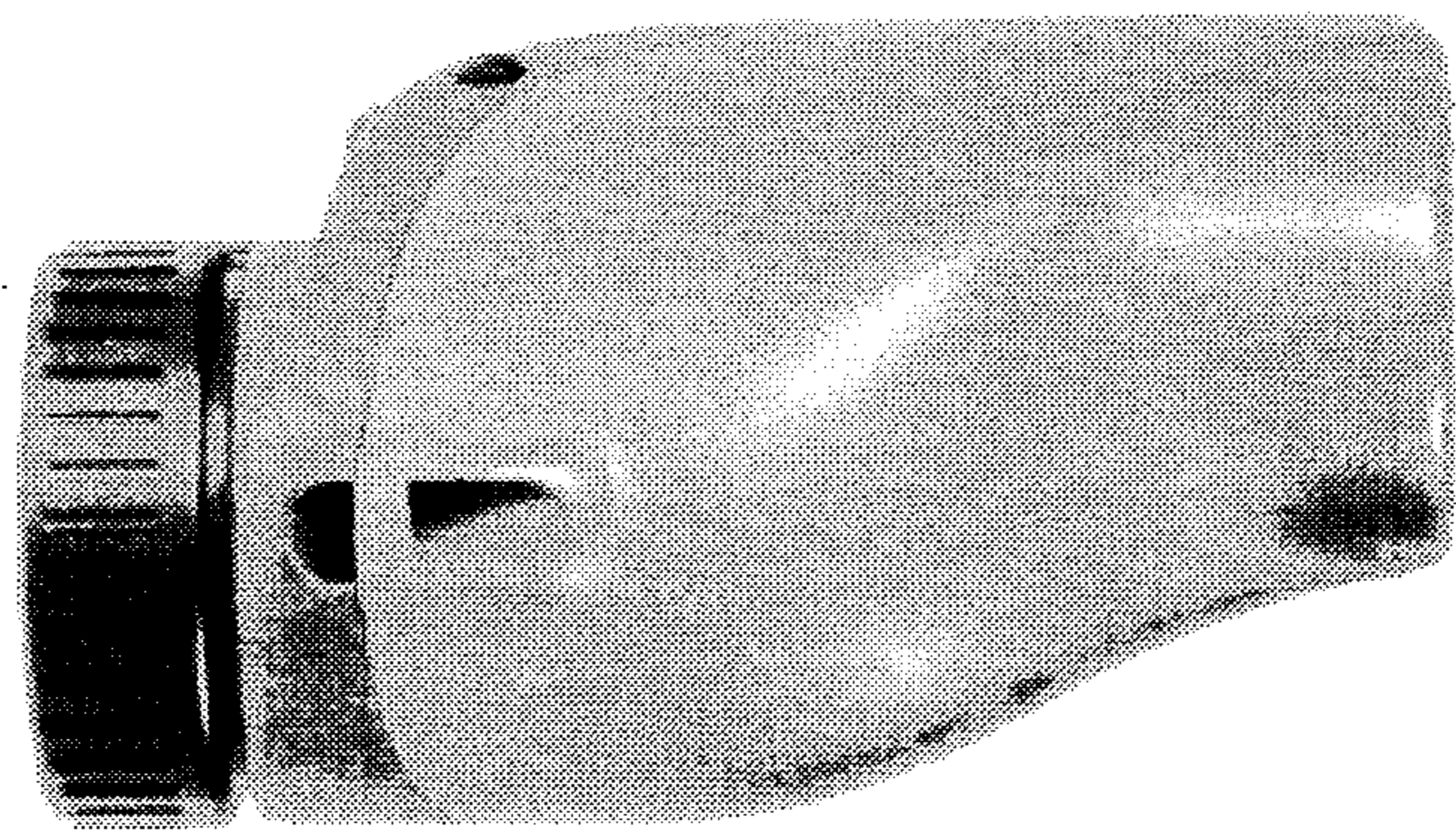


FIG. 4

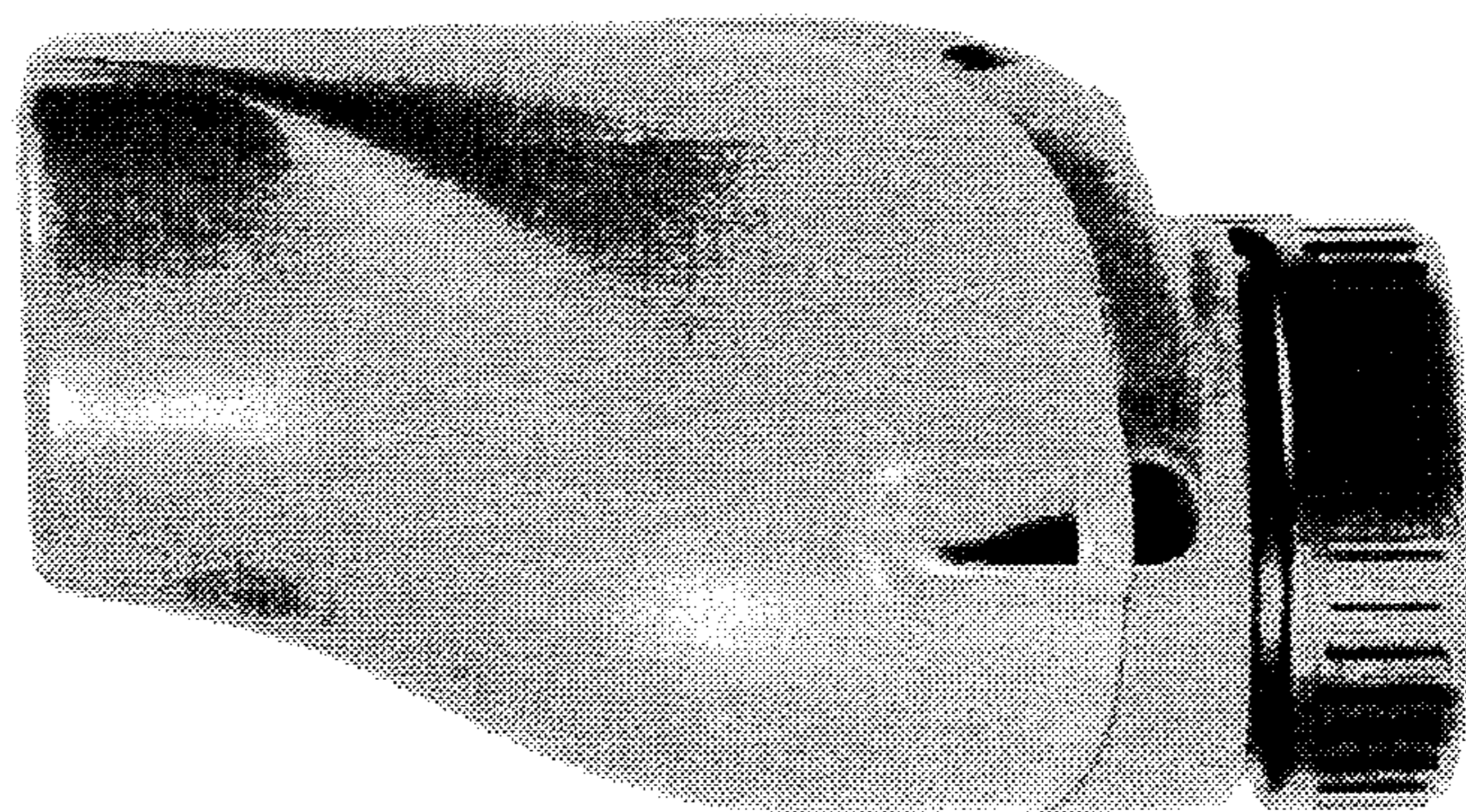


FIG. 5

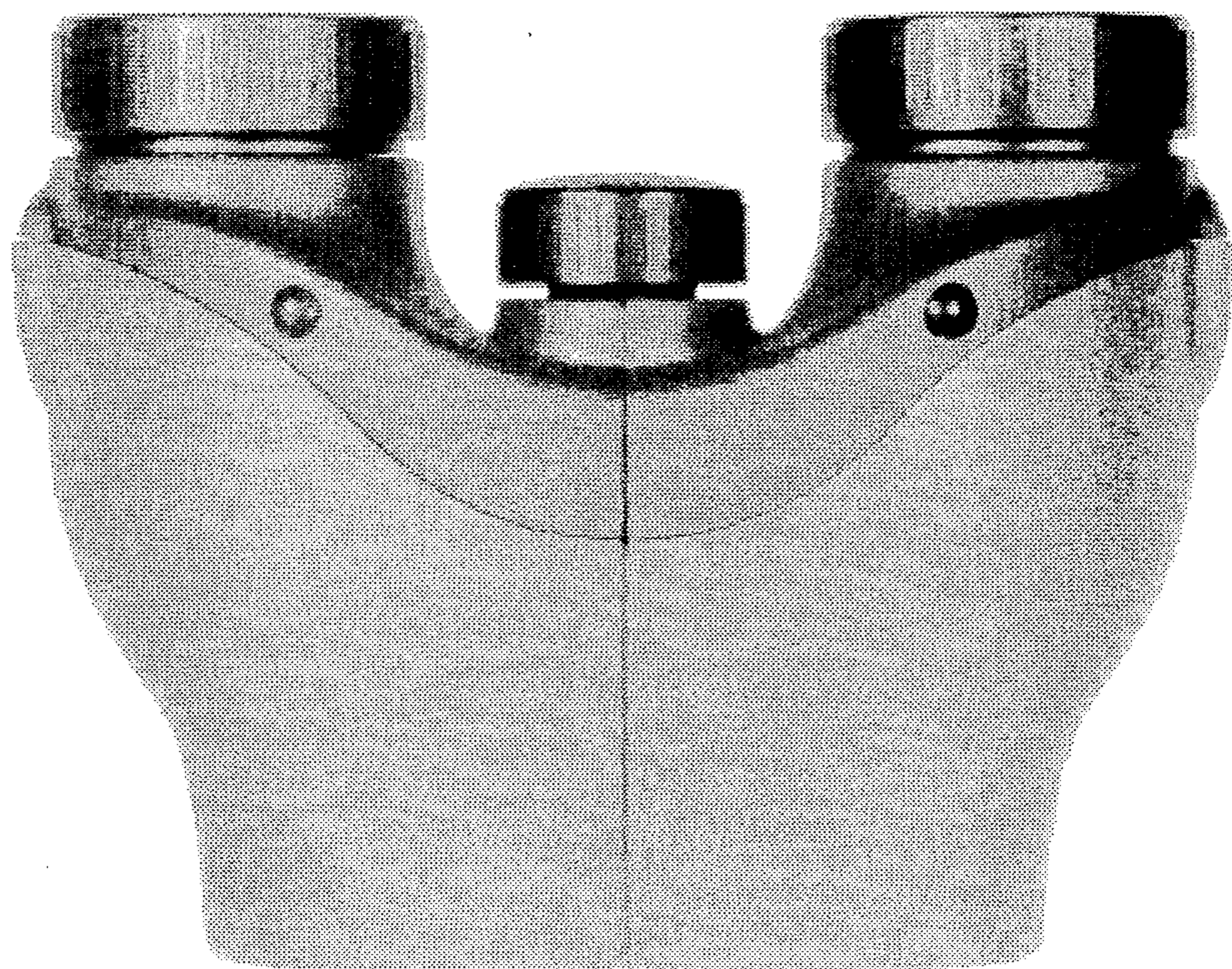


FIG. 6

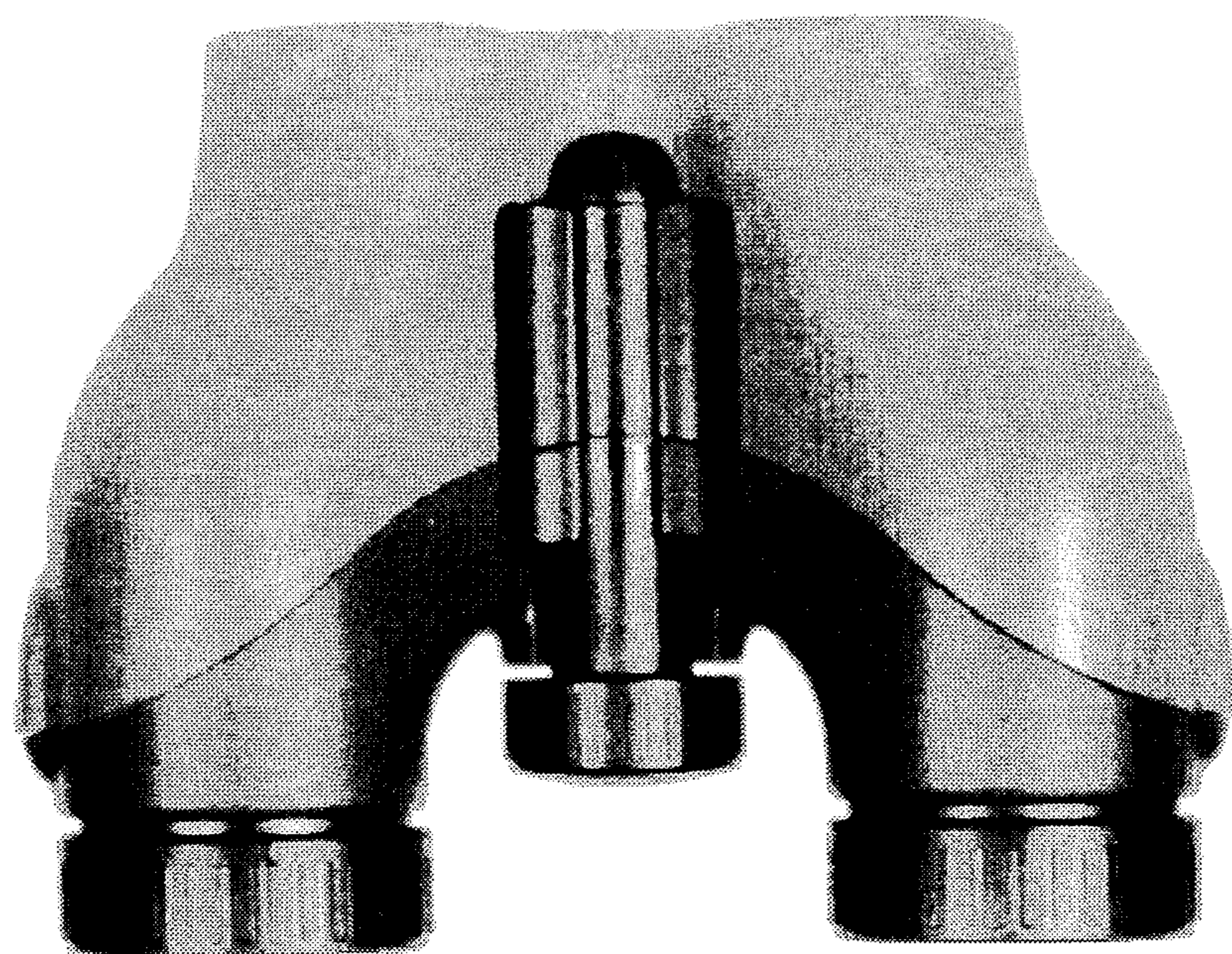


FIG. 7

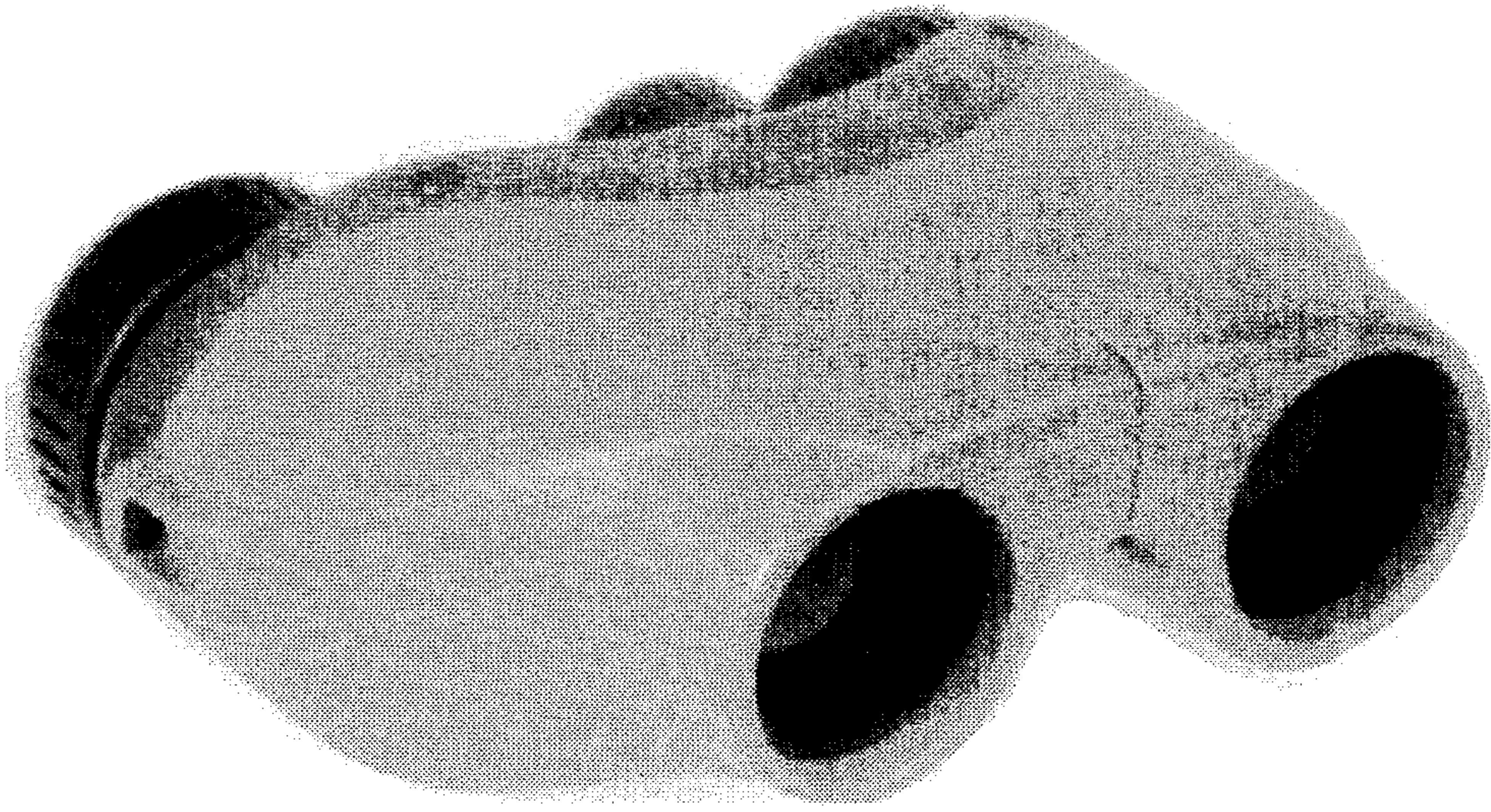


FIG. 8

