



US00D377184S

United States Patent [19]

Wells et al.

[11] Patent Number: **Des. 377,184**

[45] Date of Patent: ****Jan. 7, 1997**

[54] **BINOCULARS**

4,063,266 12/1977 Thomas et al. 354/76 X

[75] Inventors: **Ben Wells**, Watham, Mass.; **Arthur Becker**, New York, N.Y.

Primary Examiner—Louis S. Zarfes
Assistant Examiner—Monica A. Hannon
Attorney, Agent, or Firm—Abelman, Frayne & Schwab

[73] Assignee: **BNOX, Inc.**, New York, N.Y.

[**] Term: **14 Years**

[57] **CLAIM**

[21] Appl. No.: **28,717**

The ornamental design for binoculars, as shown and described.

[22] Filed: **Sep. 20, 1994**

DESCRIPTION

[52] U.S. Cl. **D16/133**; D16/130

[58] **Field of Search** D16/130, 131, D16/132, 134, 135, 225, 229, 235; 33/245; 250/330, 333; 354/76, 79; 356/142, 545; 359/399, 353, 405, 407, 409, 411, 412, 413, 415, 417, 419, 420, 480, 804, 809, 816; 353/DIG. 3; 40/367

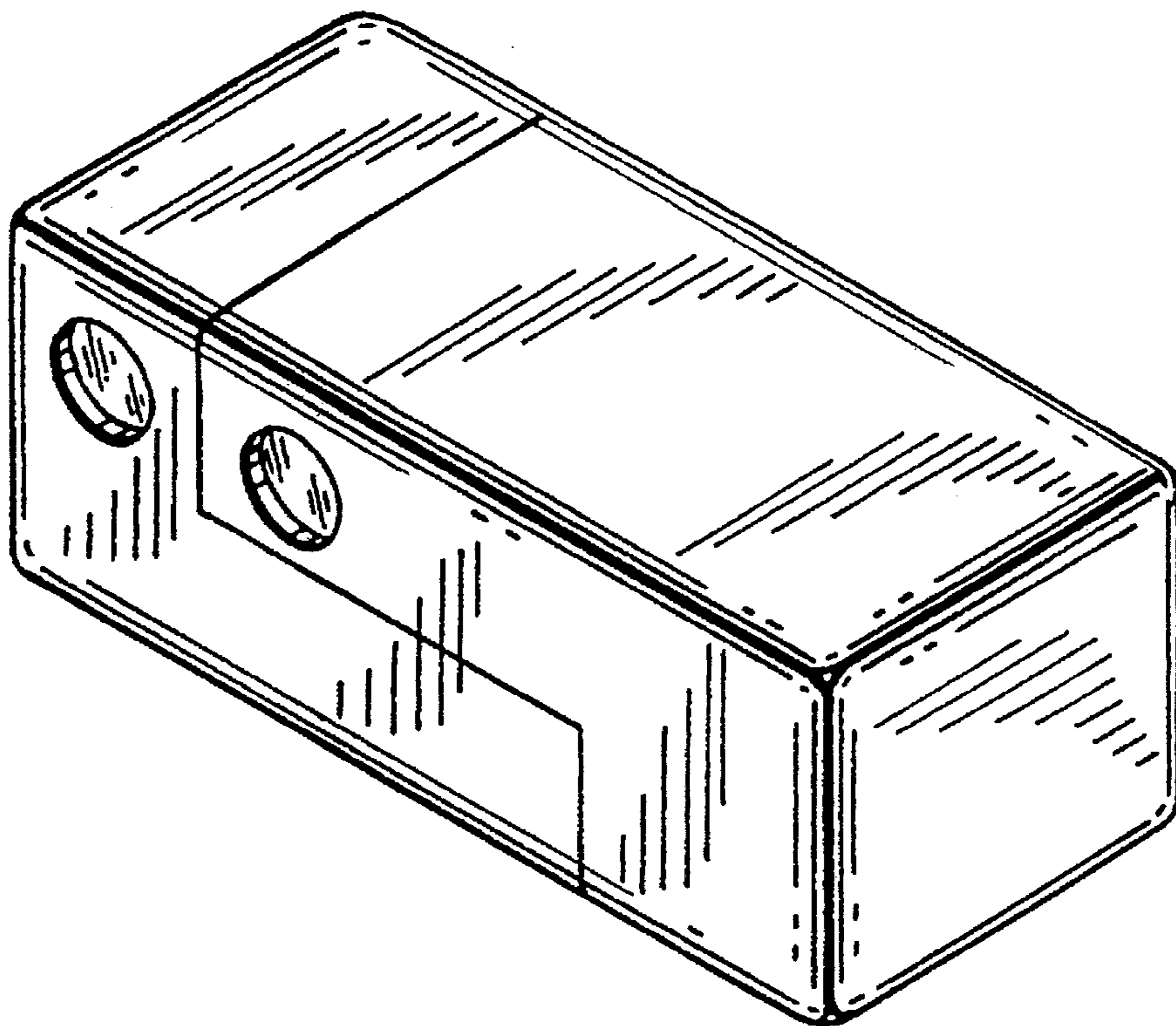
FIG. 1 is a front perspective view of the binoculars;
FIG. 2 is a rear perspective view thereof;
FIG. 3 is a front elevational view thereof;
FIG. 4 is a top plan view thereof;
FIG. 5 is a rear elevational view thereof;
FIG. 6 is a left-side elevational view thereof;
FIG. 7 is a right-side elevational view thereof; and,
FIG. 8 is a bottom plan view thereof.

[56] **References Cited**

U.S. PATENT DOCUMENTS

D. 362,005 9/1995 Lee et al. D16/133

1 Claim, 2 Drawing Sheets



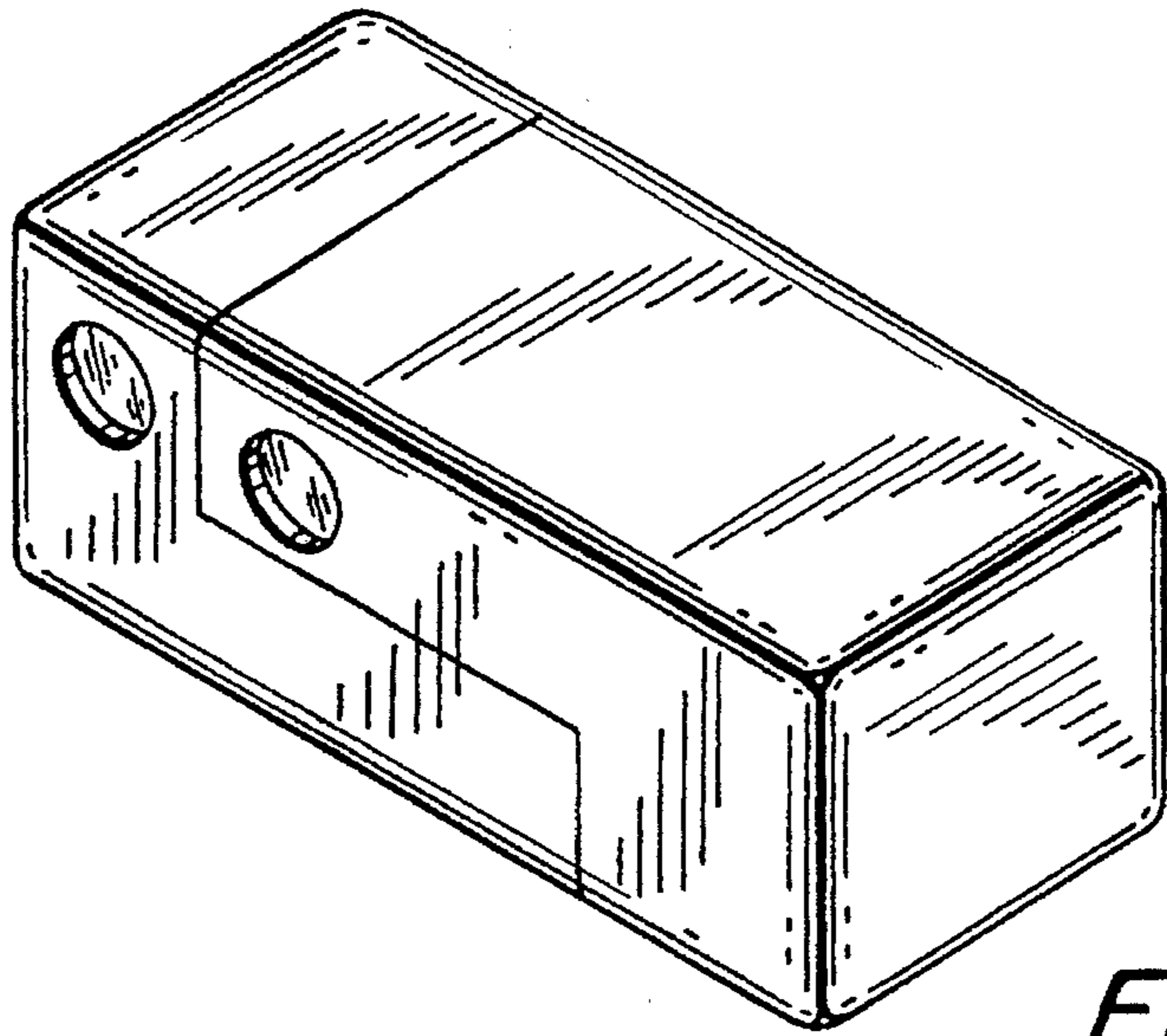


FIG. 1

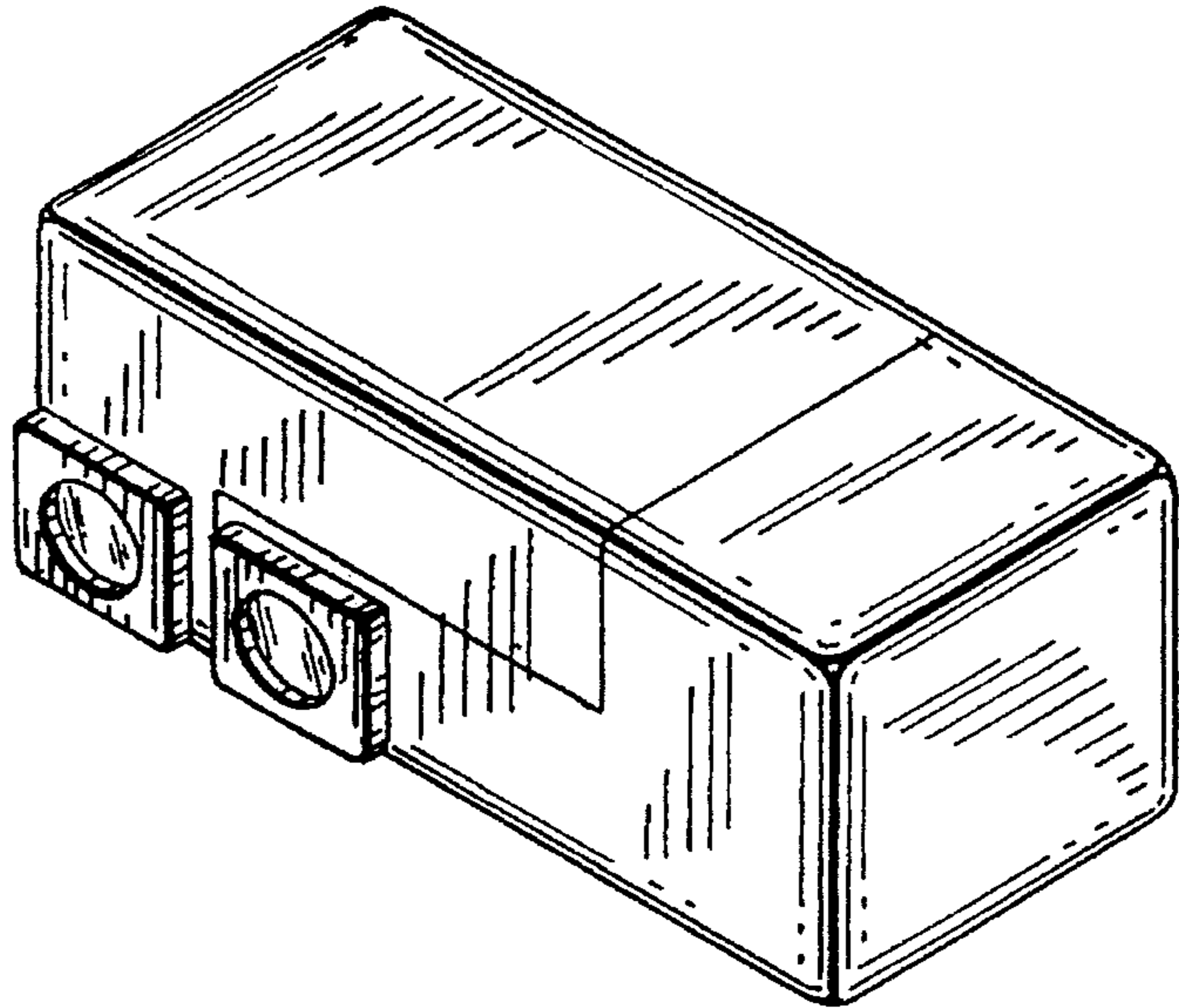


FIG. 2

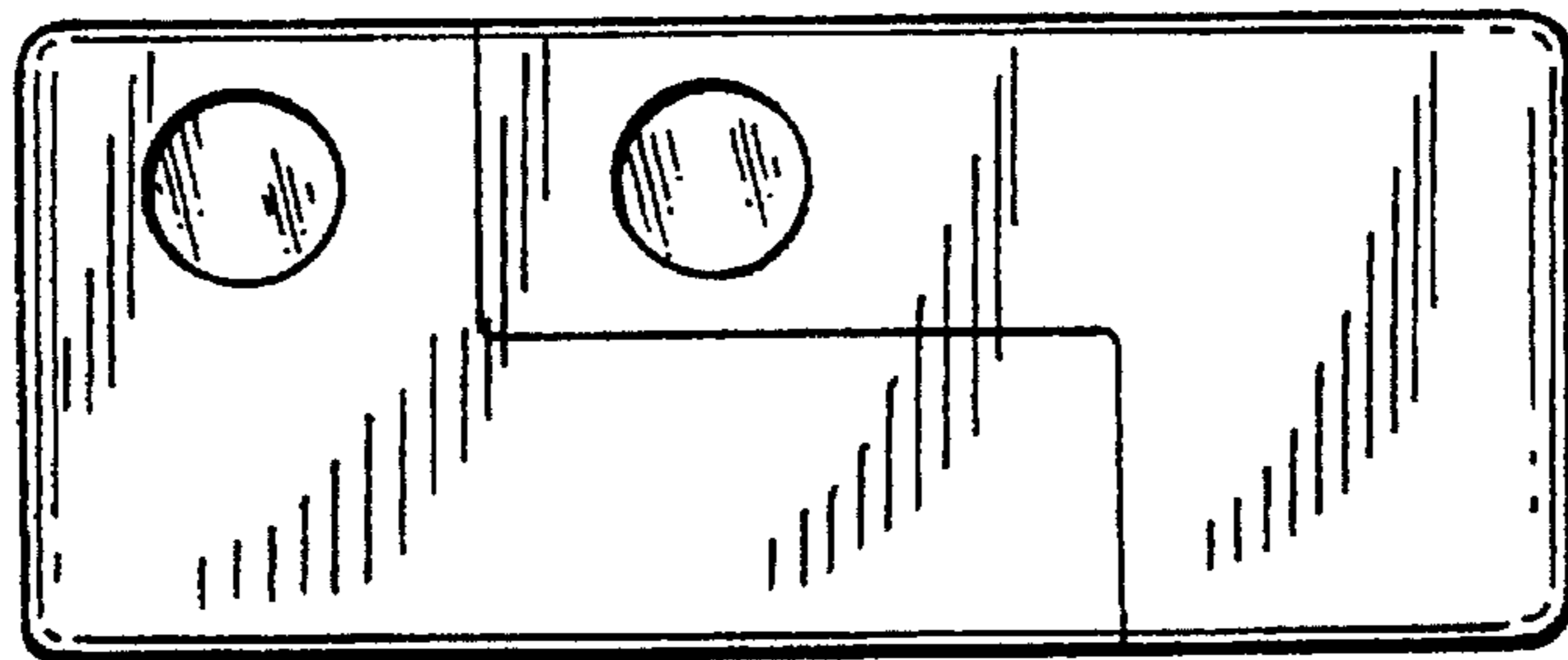


FIG. 3

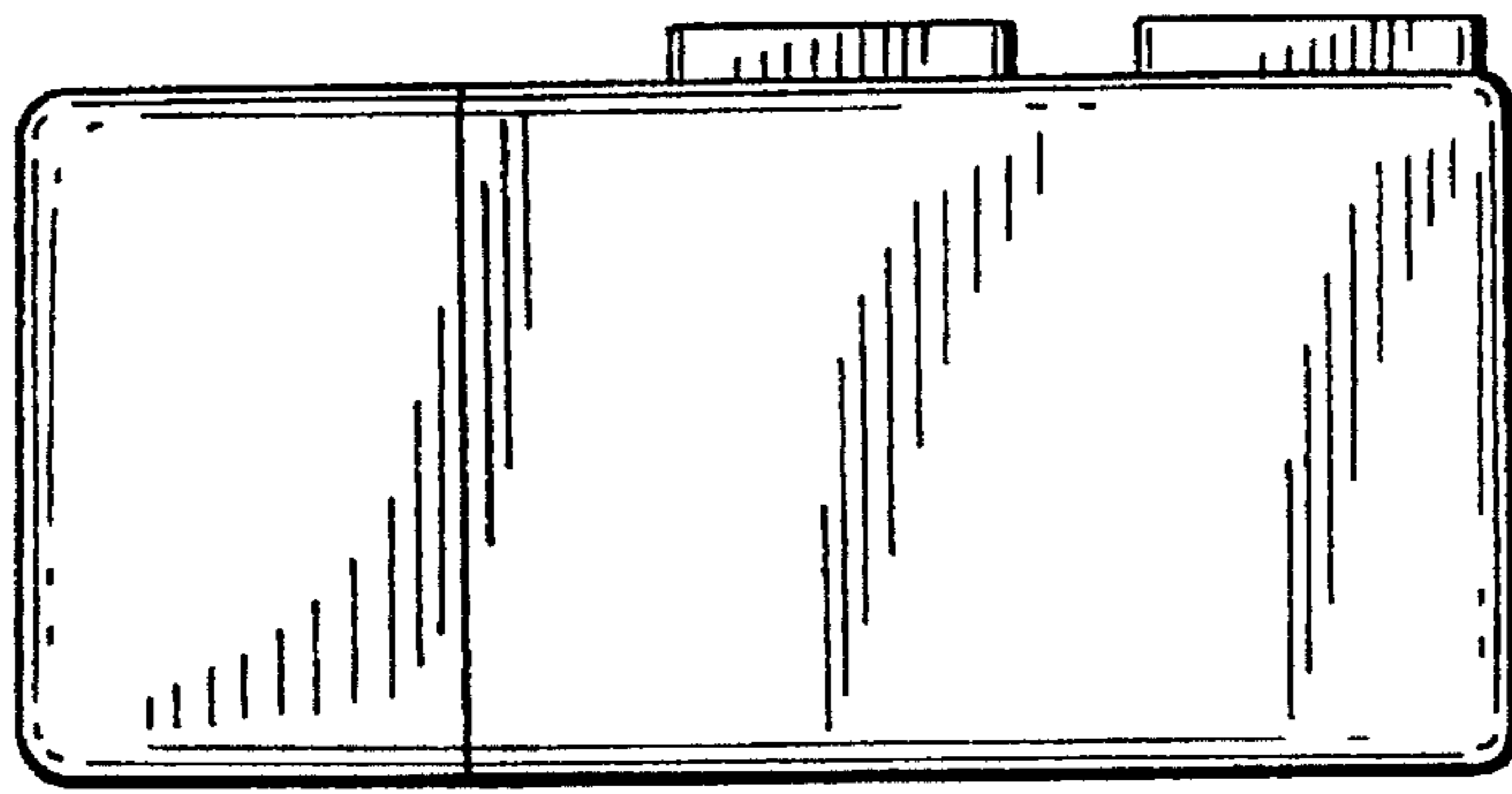


FIG. 4

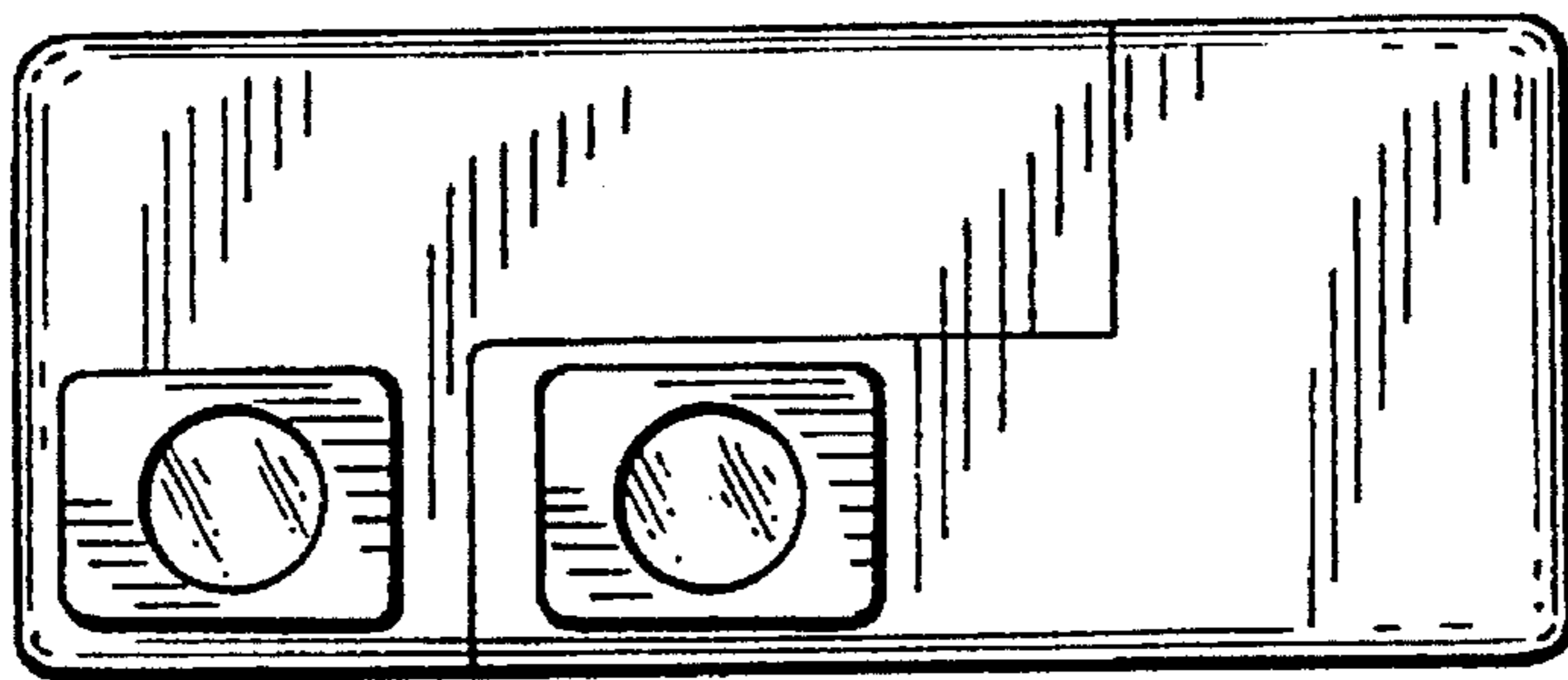


FIG. 5

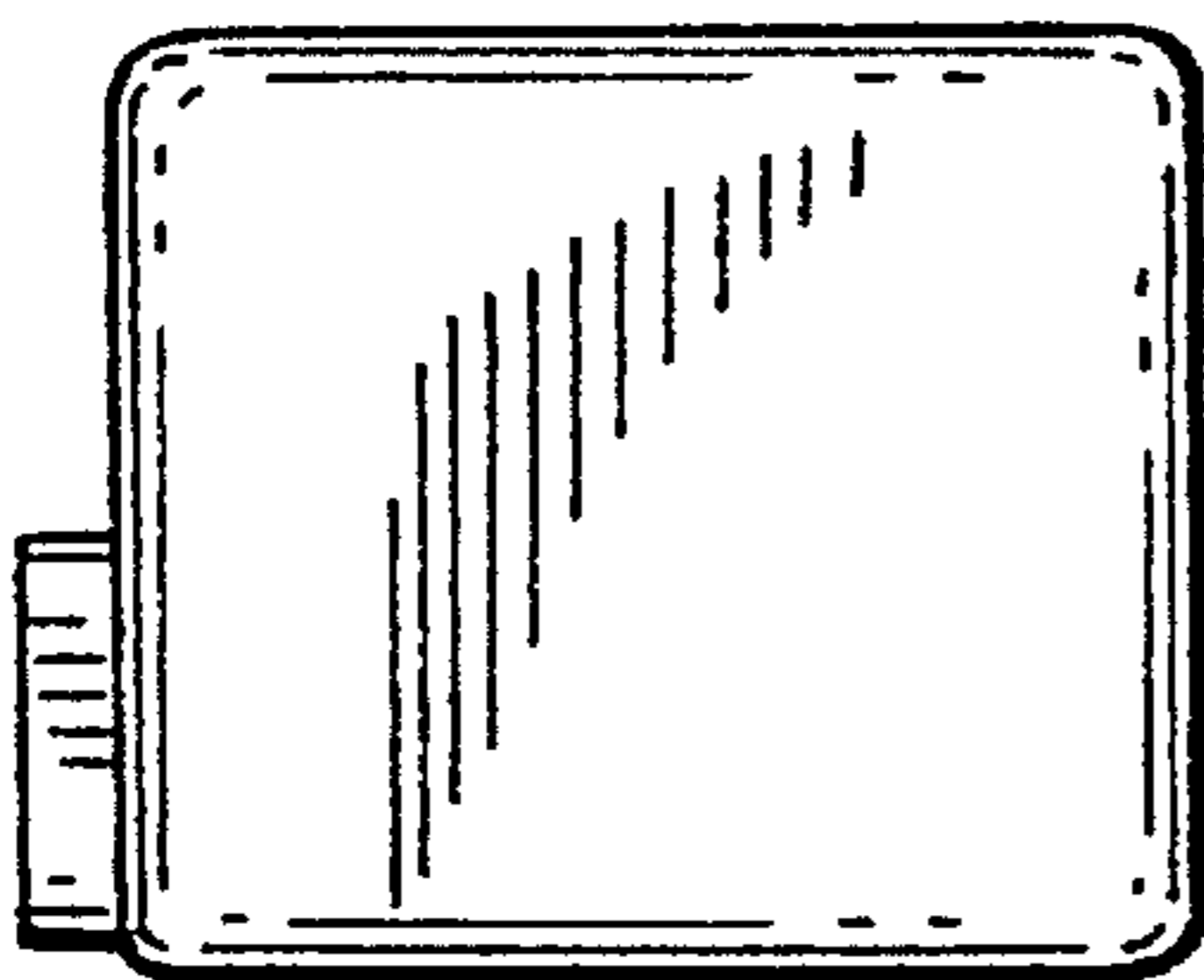


FIG. 6

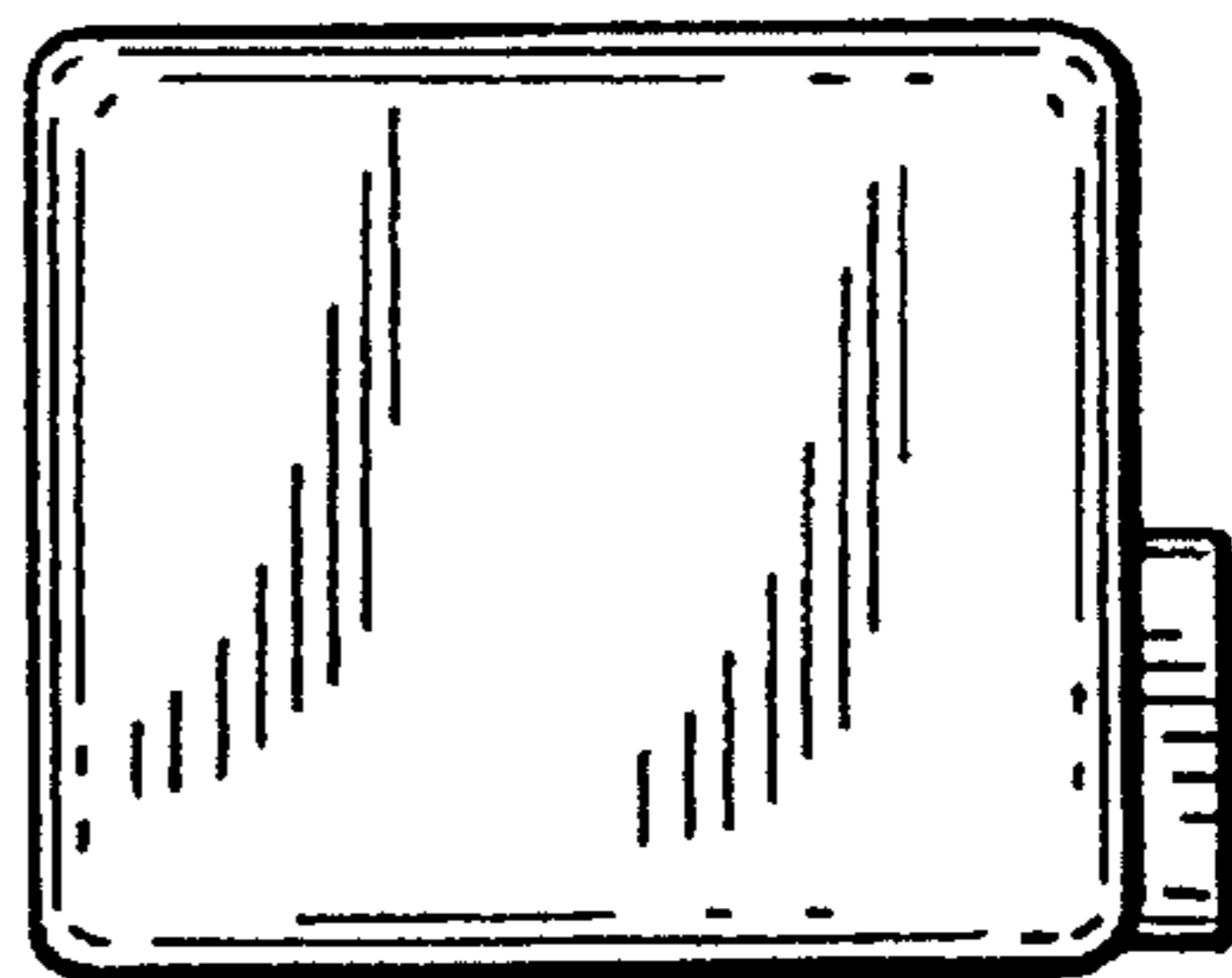


FIG. 7

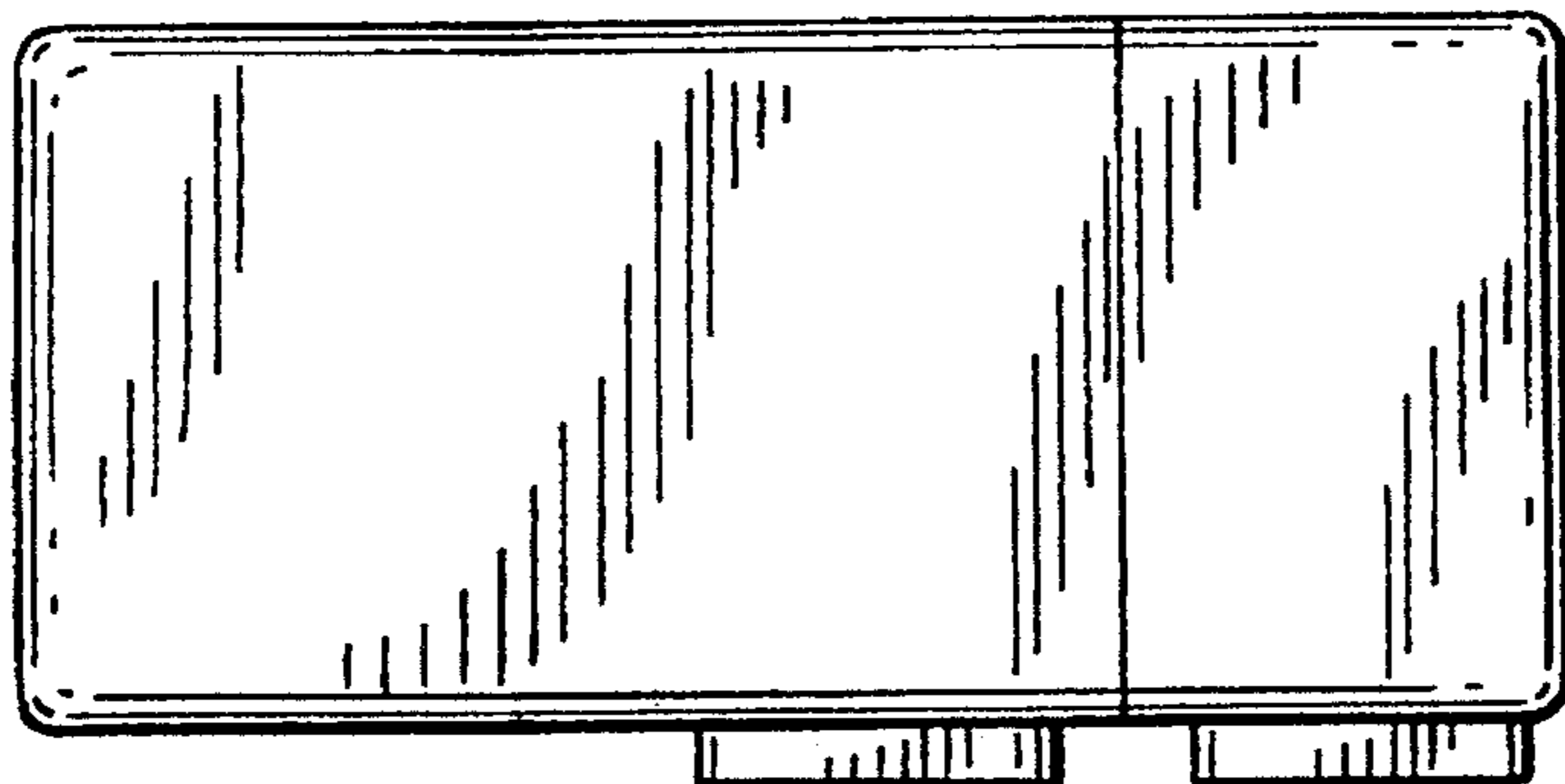


FIG. 8