



US00D377180S

# United States Patent [19]

Young et al.

[11] Patent Number: **Des. 377,180**

[45] Date of Patent: **\*\*Jan. 7, 1997**

[54] **SPINDLE SANDING MACHINE**

[75] Inventors: **Ronald E. Young, Cheswick; Louis C. Brickner, Jr., Pittsburgh, both of Pa.**

[73] Assignee: **Delta International Machinery Corp., Pittsburgh, Pa.**

[\*\*] Term: **14 Years**

[21] Appl. No.: **50,841**

[22] Filed: **Mar. 7, 1996**

[52] U.S. Cl. .... **D15/125**

[58] Field of Search ..... D15/125; 29/401.1; 74/22 R, 22 A; 451/12, 13, 23, 178, 157, 155, 241, 296, 356, 358, 415

[56] **References Cited**

**U.S. PATENT DOCUMENTS**

- D. 345,366 3/1994 Hewitt ..... D15/125
- D. 349,292 8/1994 Chunn ..... D15/125
- D. 353,149 12/1994 Hewitt ..... D15/125

- 4,821,457 4/1989 Ianuzzi ..... 451/155
- 5,402,604 4/1995 Hashii et al. .... 451/155
- 5,476,409 12/1995 Wada et al. .... 451/12

*Primary Examiner*—Antoine Duval Davis  
*Attorney, Agent, or Firm*—Kirkpatrick & Lockhart LLP

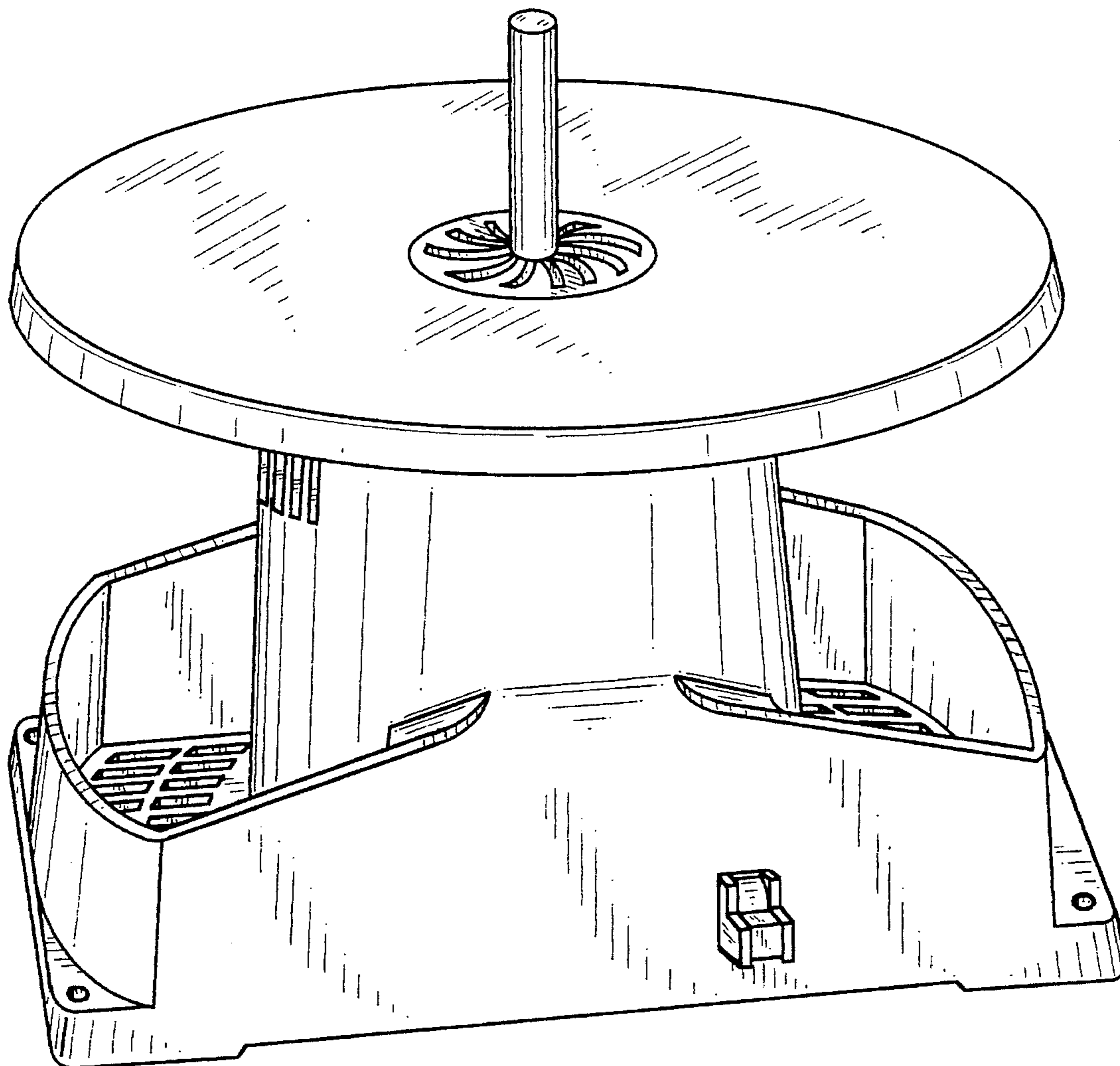
[57] **CLAIM**

The ornamental design for a spindle sanding machine, as shown.

**DESCRIPTION**

FIG. 1 is a front perspective view of the spindle sanding machine of the present invention; FIG. 2 is a front elevational view of the invention of FIG. 1; FIG. 3 is a rear elevational view of the invention of FIG. 1; FIG. 4 is a top view of the invention of FIG. 1; FIG. 5 is a bottom view of the invention of FIG. 1; FIG. 6 is a left side elevational view of the invention of FIG. 1; and, FIG. 7 is a right side elevational view of the invention of FIG. 1.

**1 Claim, 7 Drawing Sheets**



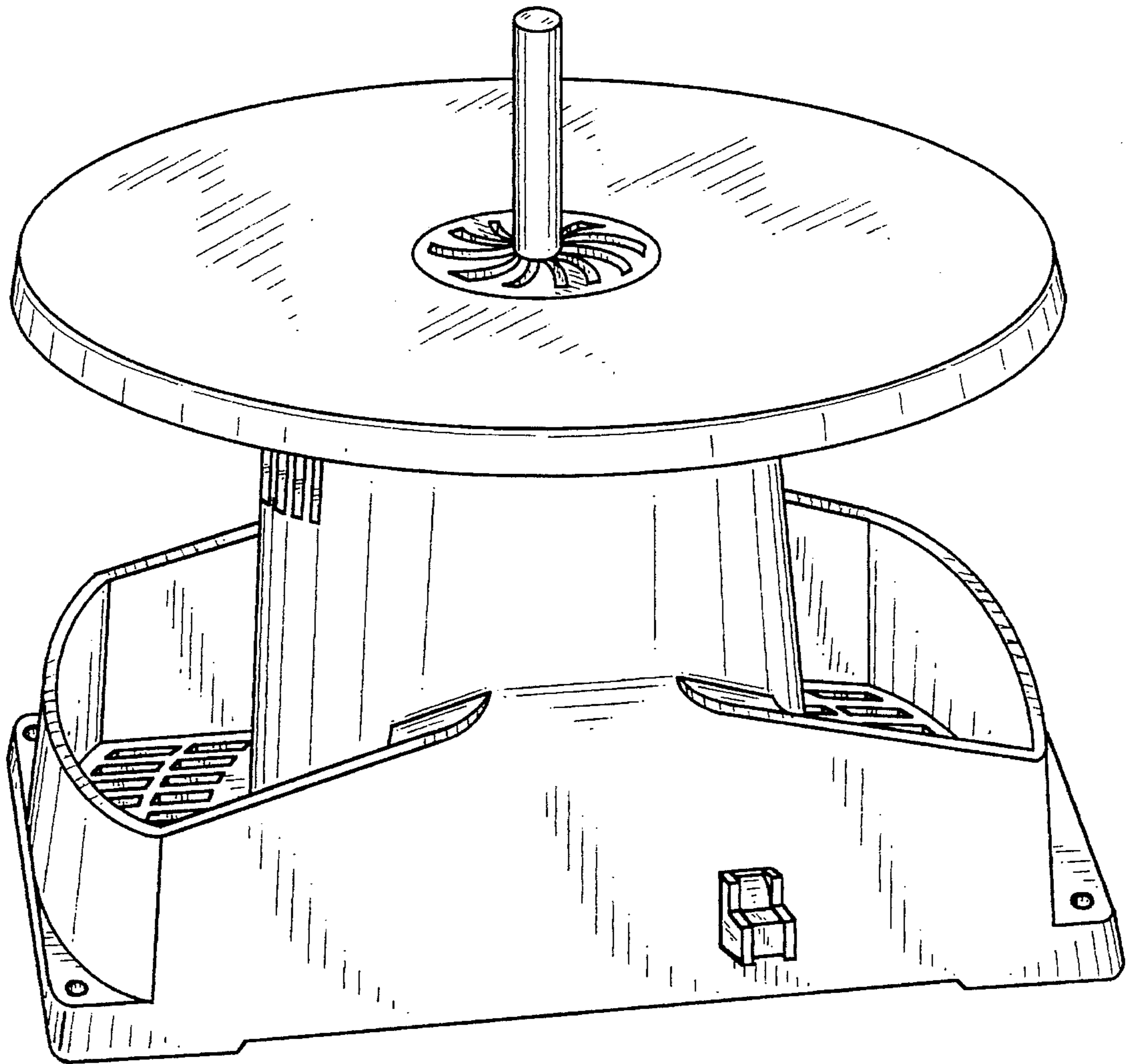


FIG. 1

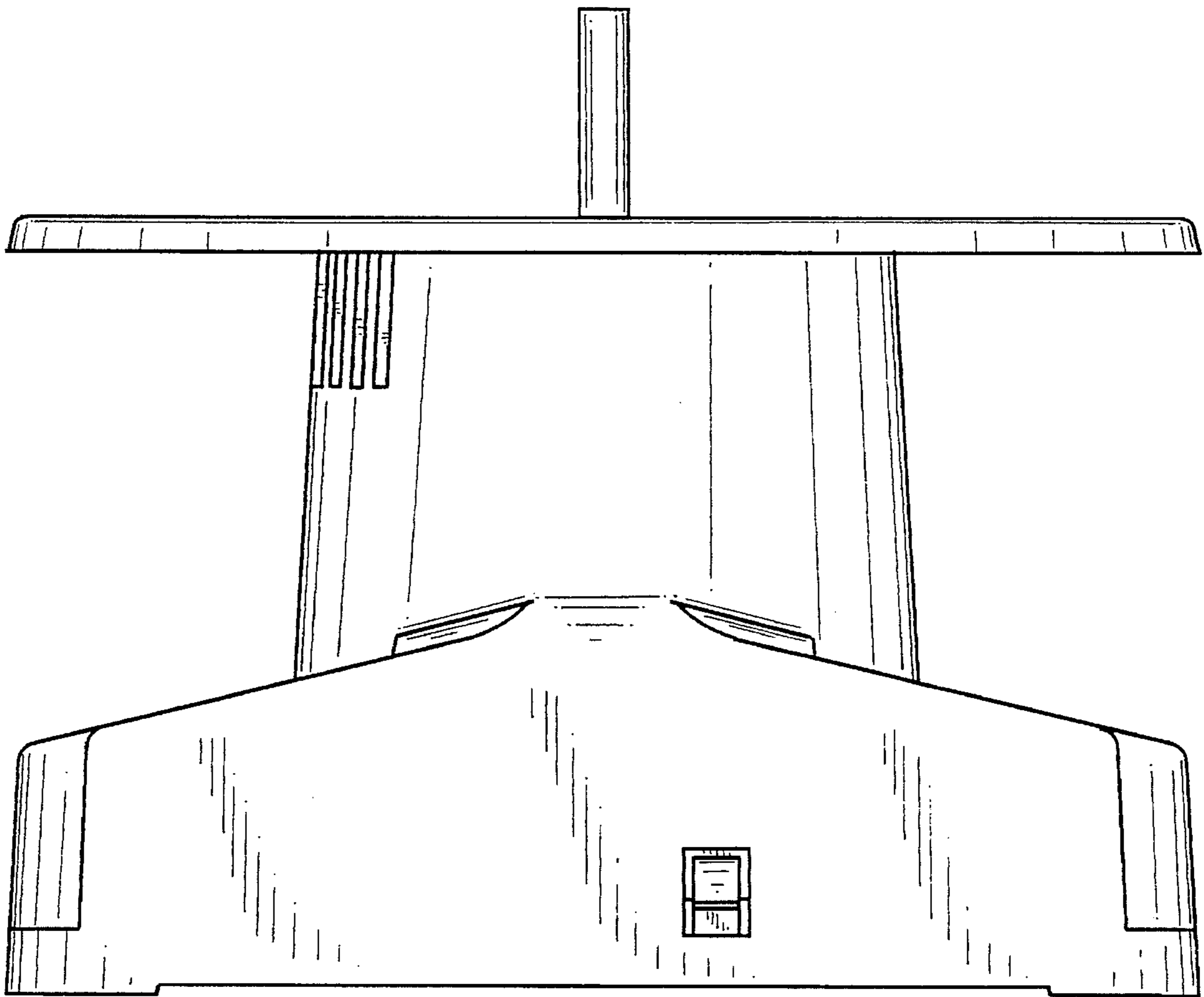


FIG. 2

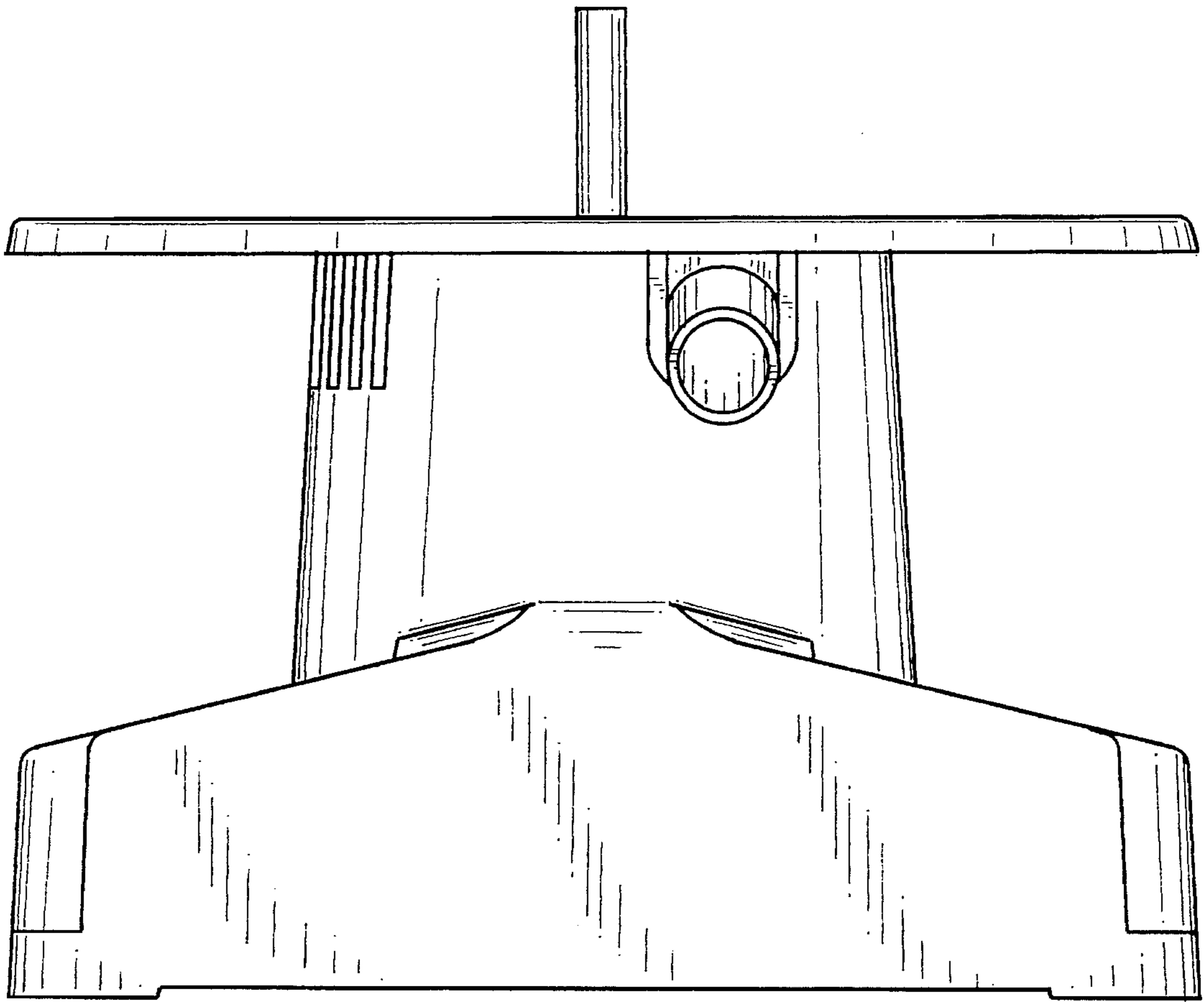


FIG. 3

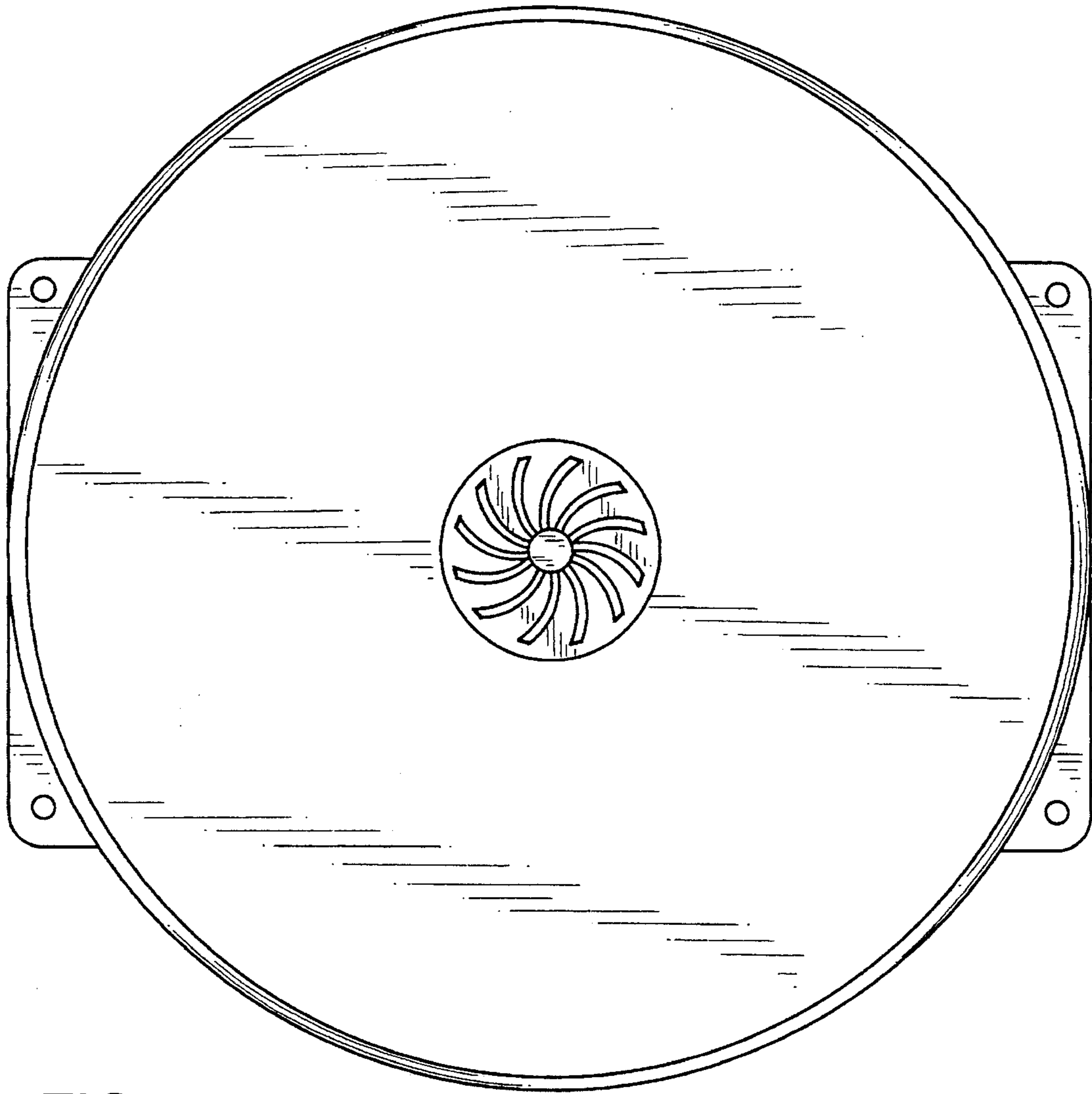


FIG. 4

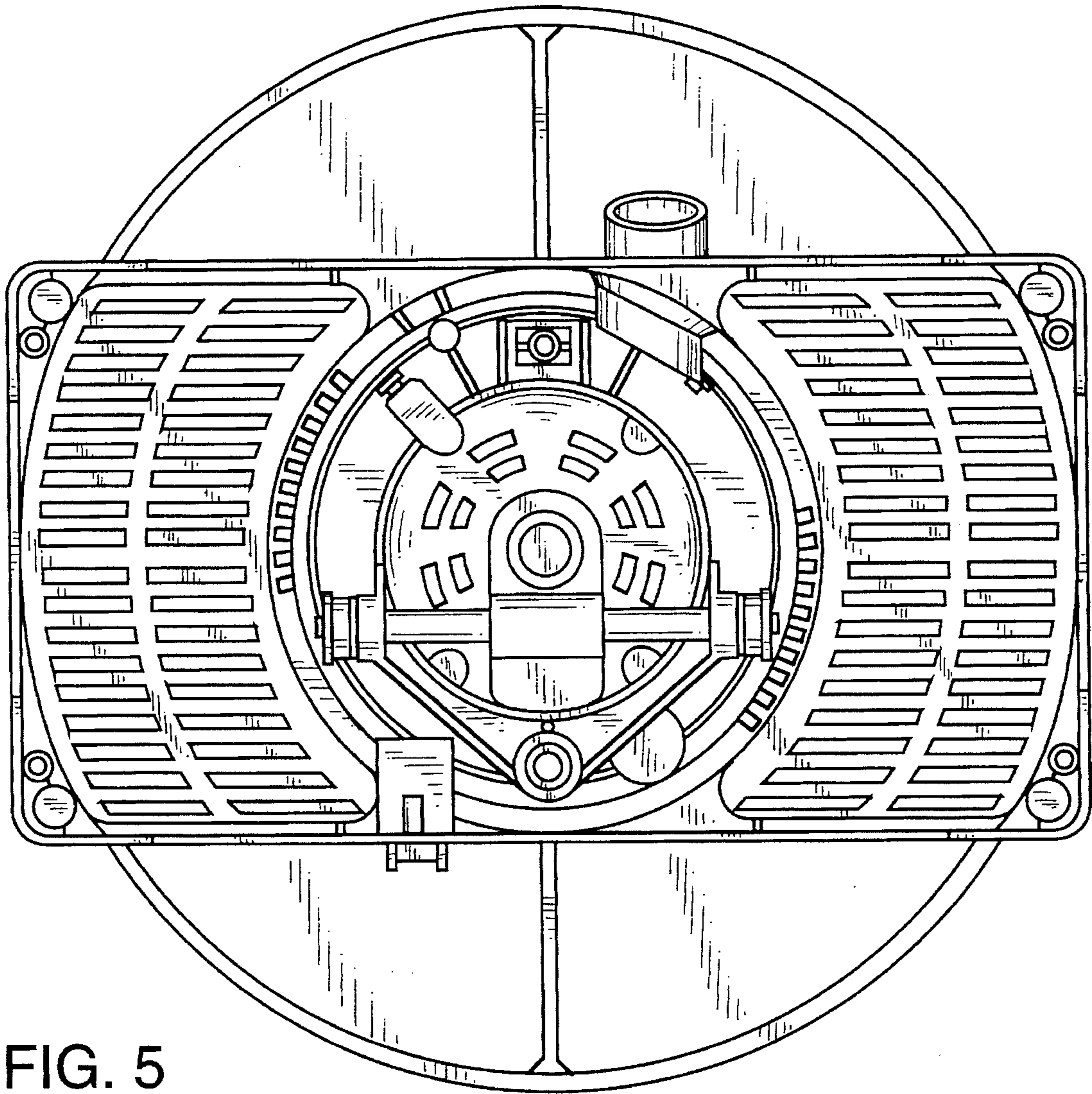


FIG. 5

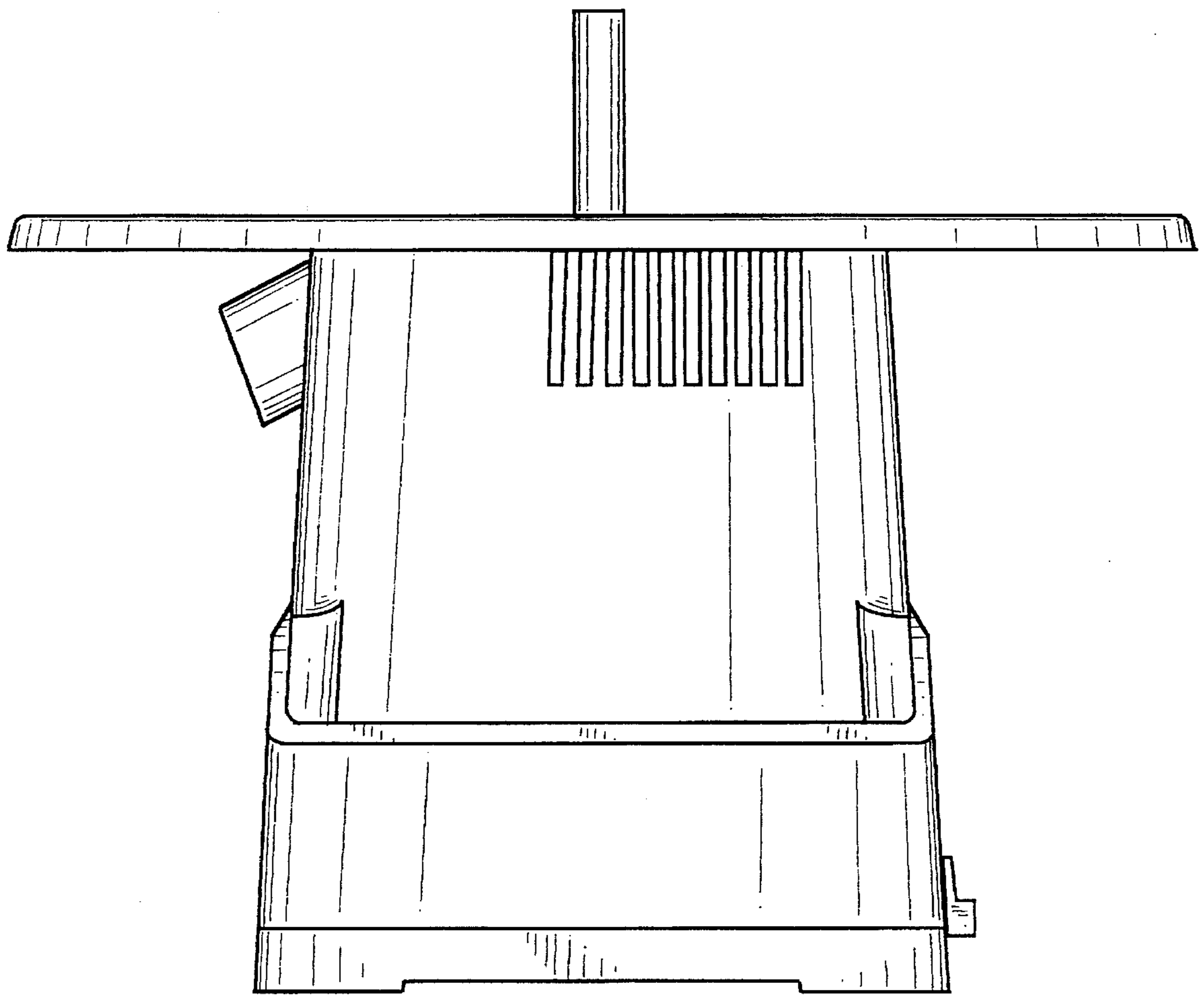


FIG. 6

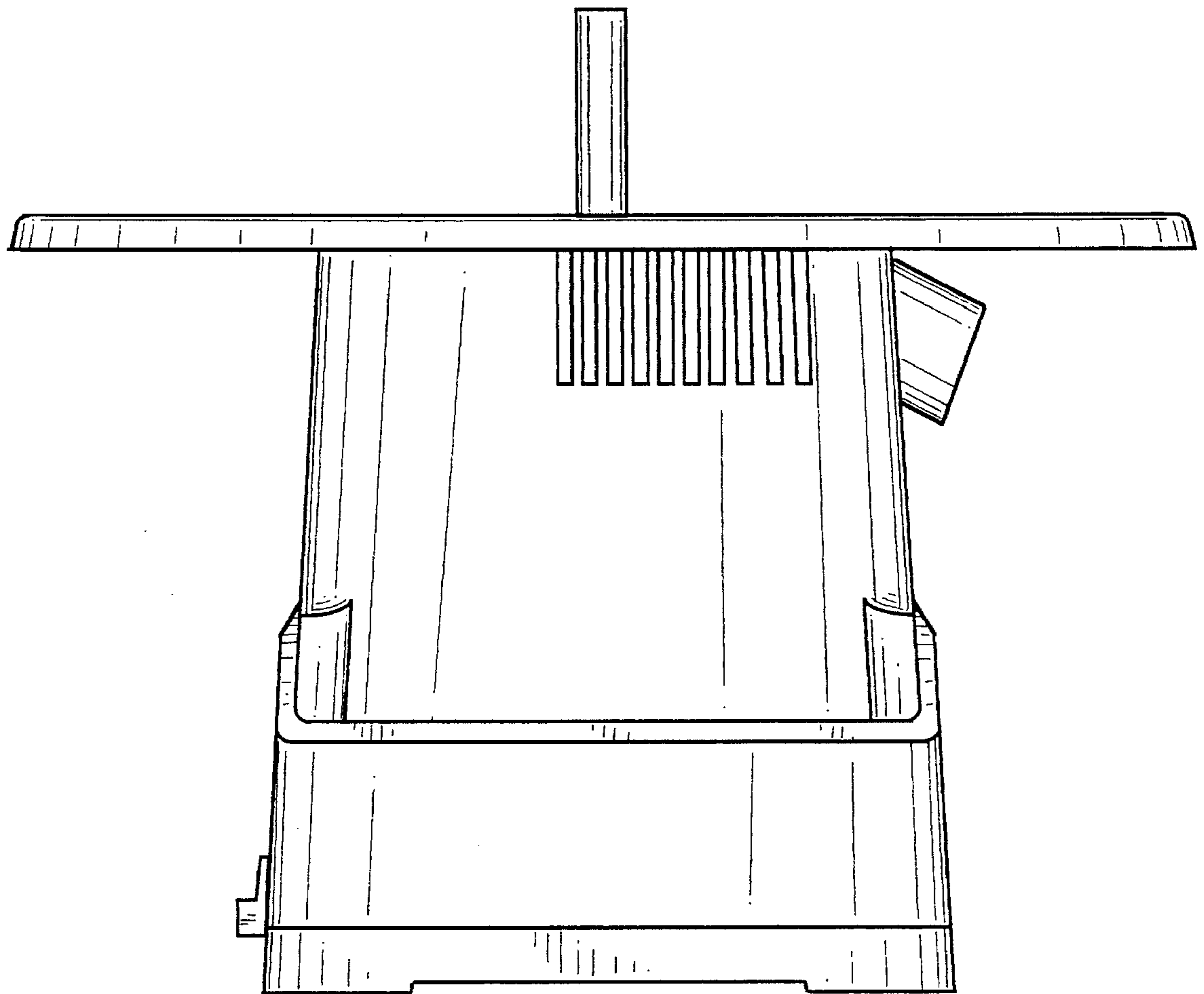


FIG. 7