



US00D377179S

United States Patent [19]

Sundheim et al.

[11] Patent Number: **Des. 377,179**

[45] Date of Patent: ****Jan. 7, 1997**

[54] REFRIGERANT RECOVERY MACHINE

[75] Inventors: **Greg S. Sundheim**, Littleton; **Brett W. Renck**, Aurora; **Michael J. Ralph**, Denver; **John M. Sundheim**, Boulder, all of Colo.

[73] Assignee: **Promax Amprobe Division of Core Industries, Inc.**, Denver, Colo.

[**] Term: **14 Years**

[21] Appl. No.: **48,991**

[22] Filed: **Jan. 16, 1996**

[52] U.S. Cl. **D15/79**

[58] Field of Search D15/79, 81, 89, D15/151, 152; 62/129, 149, 292; 220/4.12, 4.14, 581; D13/109; D23/332, 333, 335, 364

[56] **References Cited**

U.S. PATENT DOCUMENTS

D. 344,527 2/1994 Drago et al. D15/79
4,878,356 11/1989 PUNCHES et al. 62/149

5,090,211	2/1992	Peters	62/292
5,101,637	4/1992	Daily	62/292
5,218,831	6/1993	Keltner	62/292
5,226,300	7/1993	Christensen et al.	62/292
5,423,702	6/1995	Butler	220/4.14
5,540,254	7/1996	McGowan et al.	62/292

Primary Examiner—Sandra L. Morris
Attorney, Agent, or Firm—W. Scott Carson

[57] **CLAIM**

The ornamental design for a refrigerant recovery machine, as shown and described.

DESCRIPTION

FIG. 1 is a perspective view of a refrigerant recovery machine showing our new design; FIG. 2 is a left side elevational view thereof, the right side elevational view being substantially a mirror image thereof; FIG. 3 is a front elevational view thereof; FIG. 4 is a rear elevational view thereof; FIG. 5 is a top plan view thereof; and, FIG. 6 is a bottom plan view thereof.

1 Claim, 2 Drawing Sheets

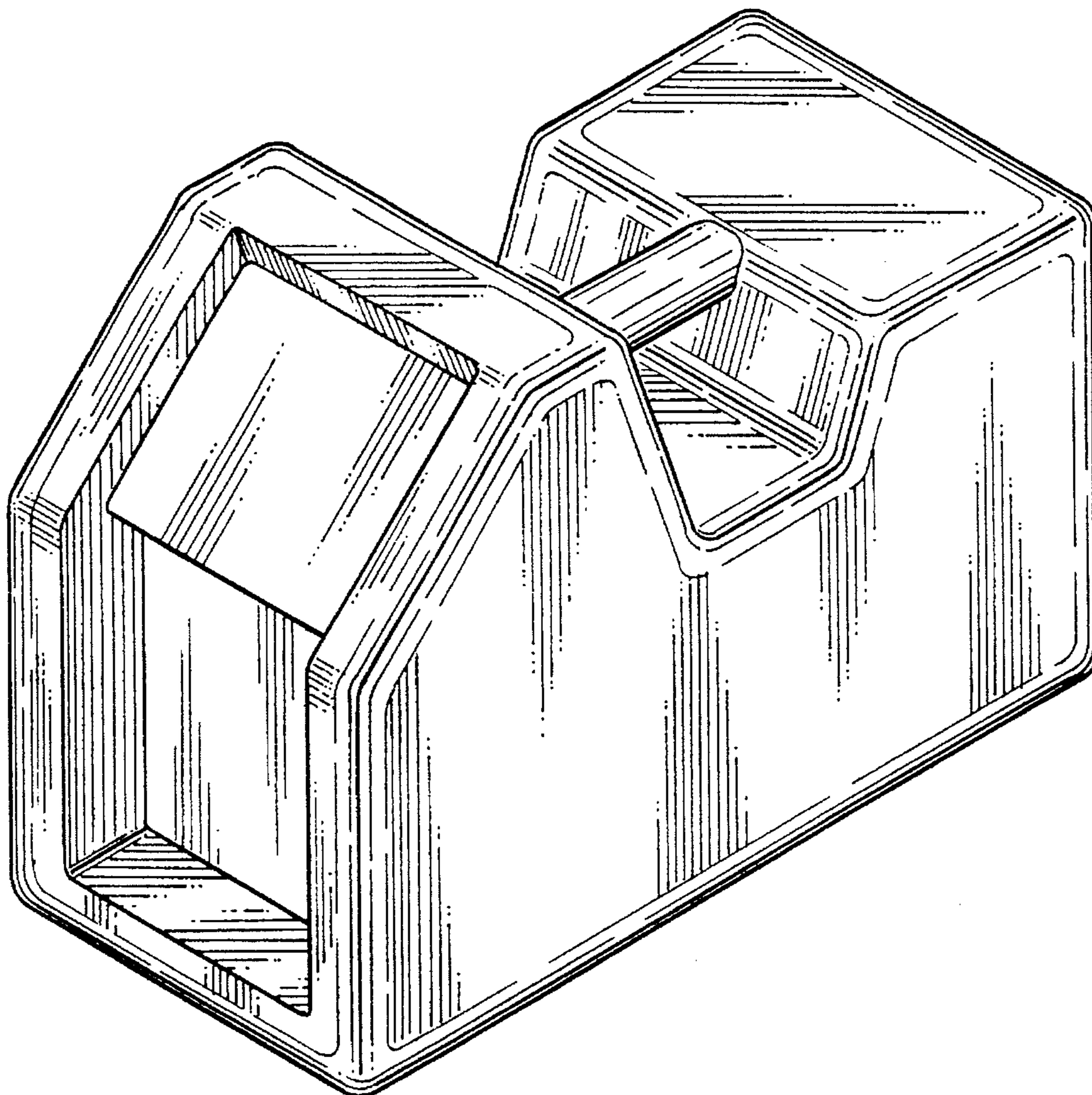


Fig. 1

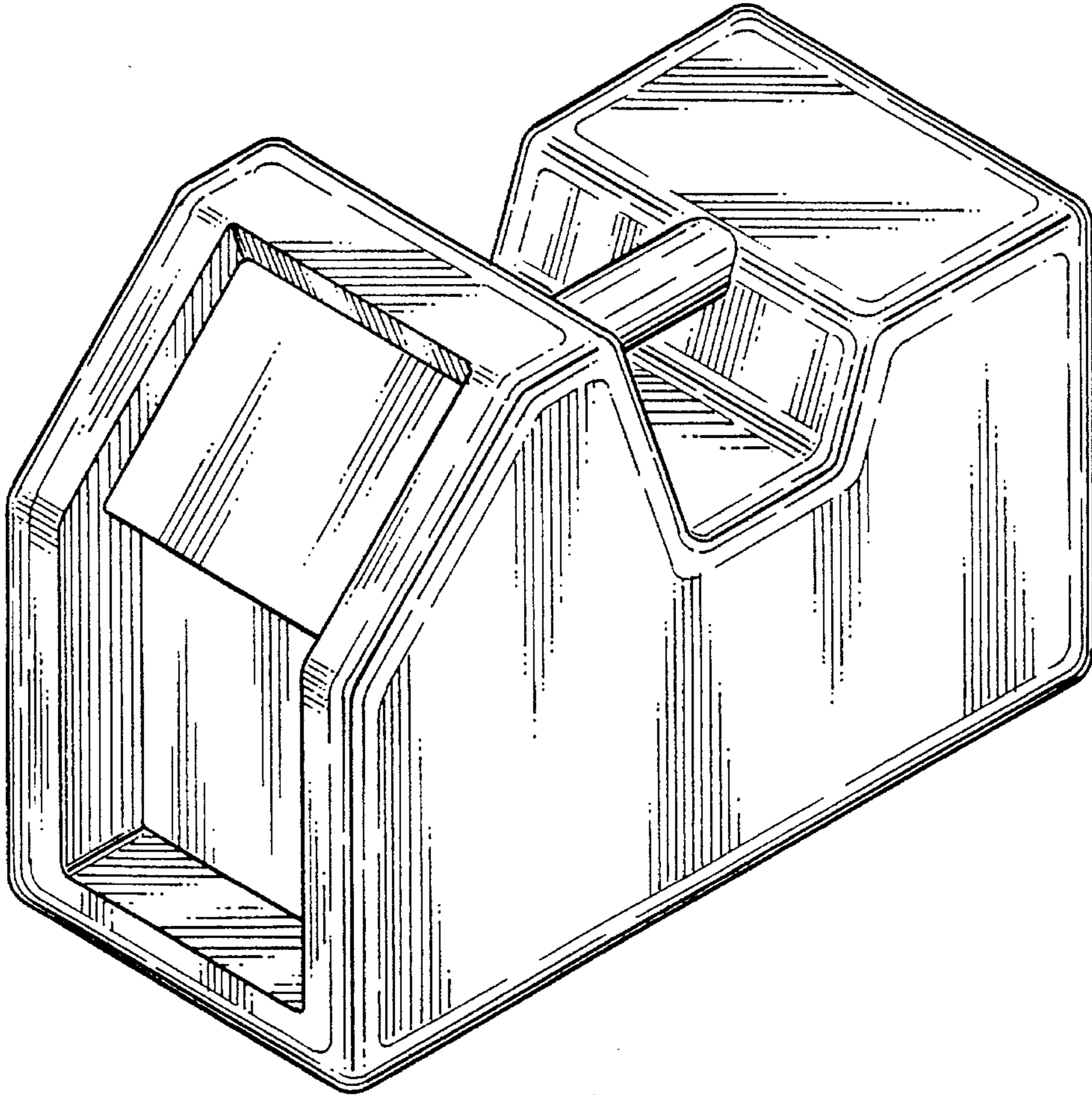


Fig. 2

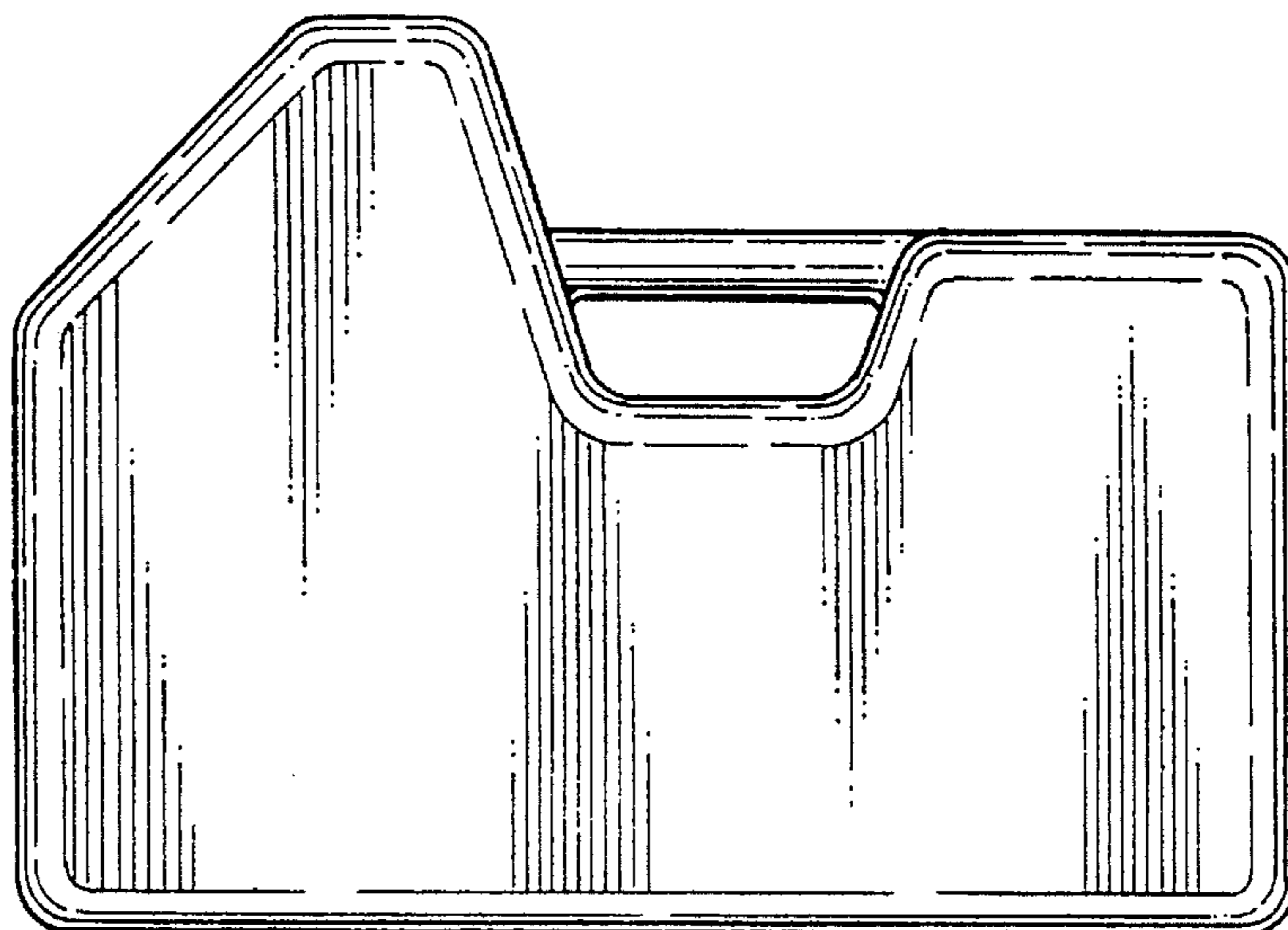


Fig. 3

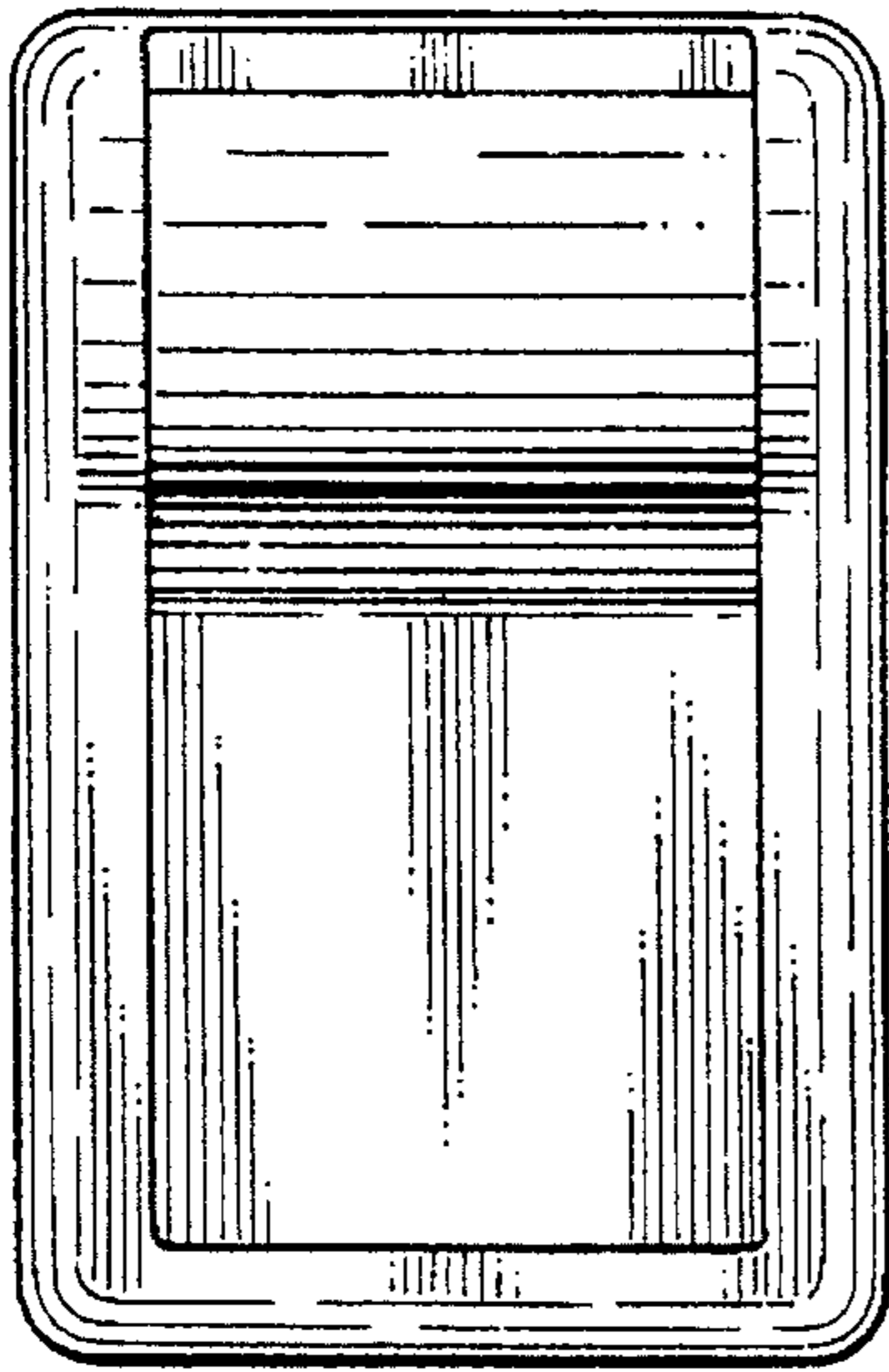


Fig. 4

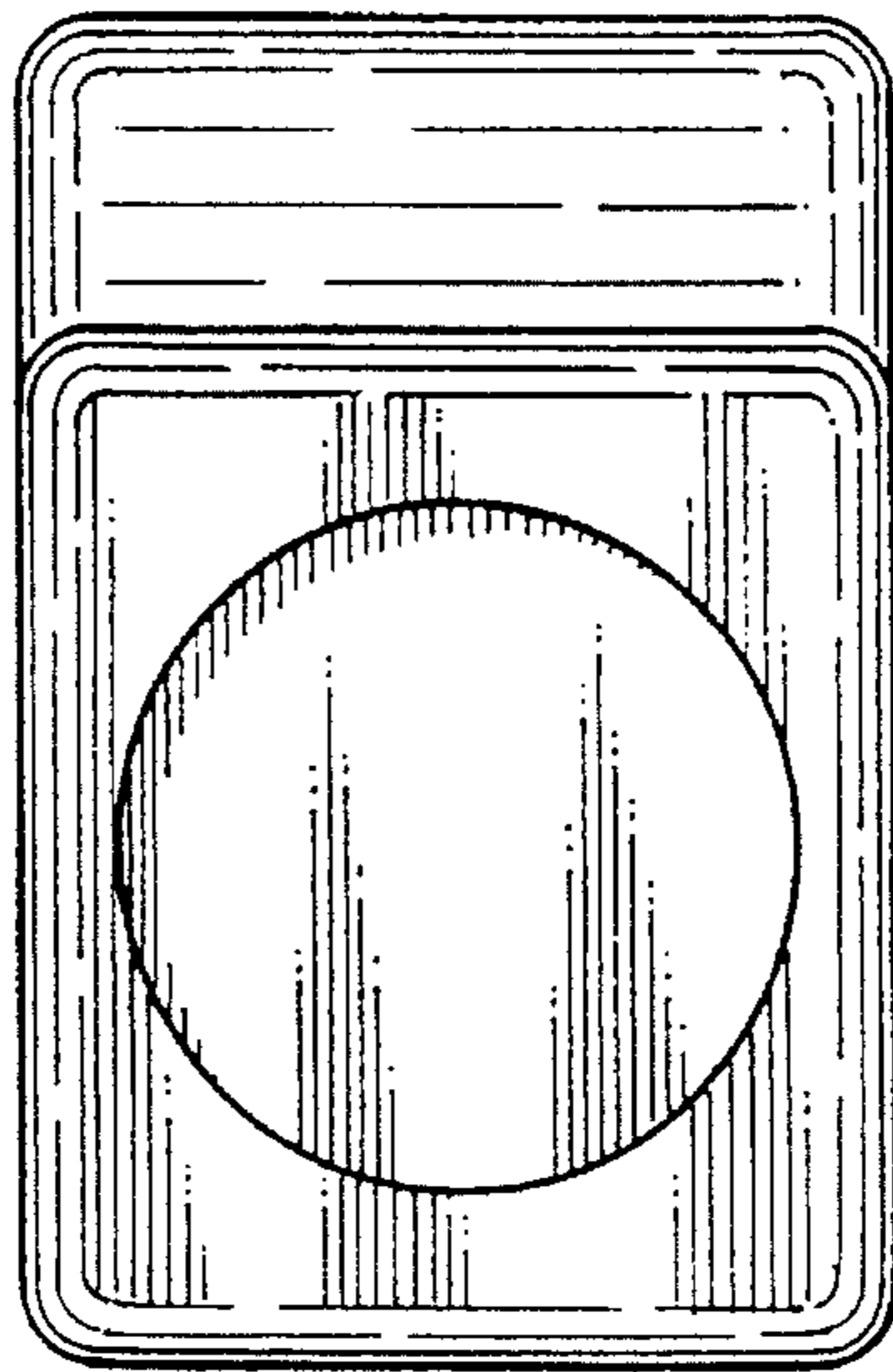


Fig. 5

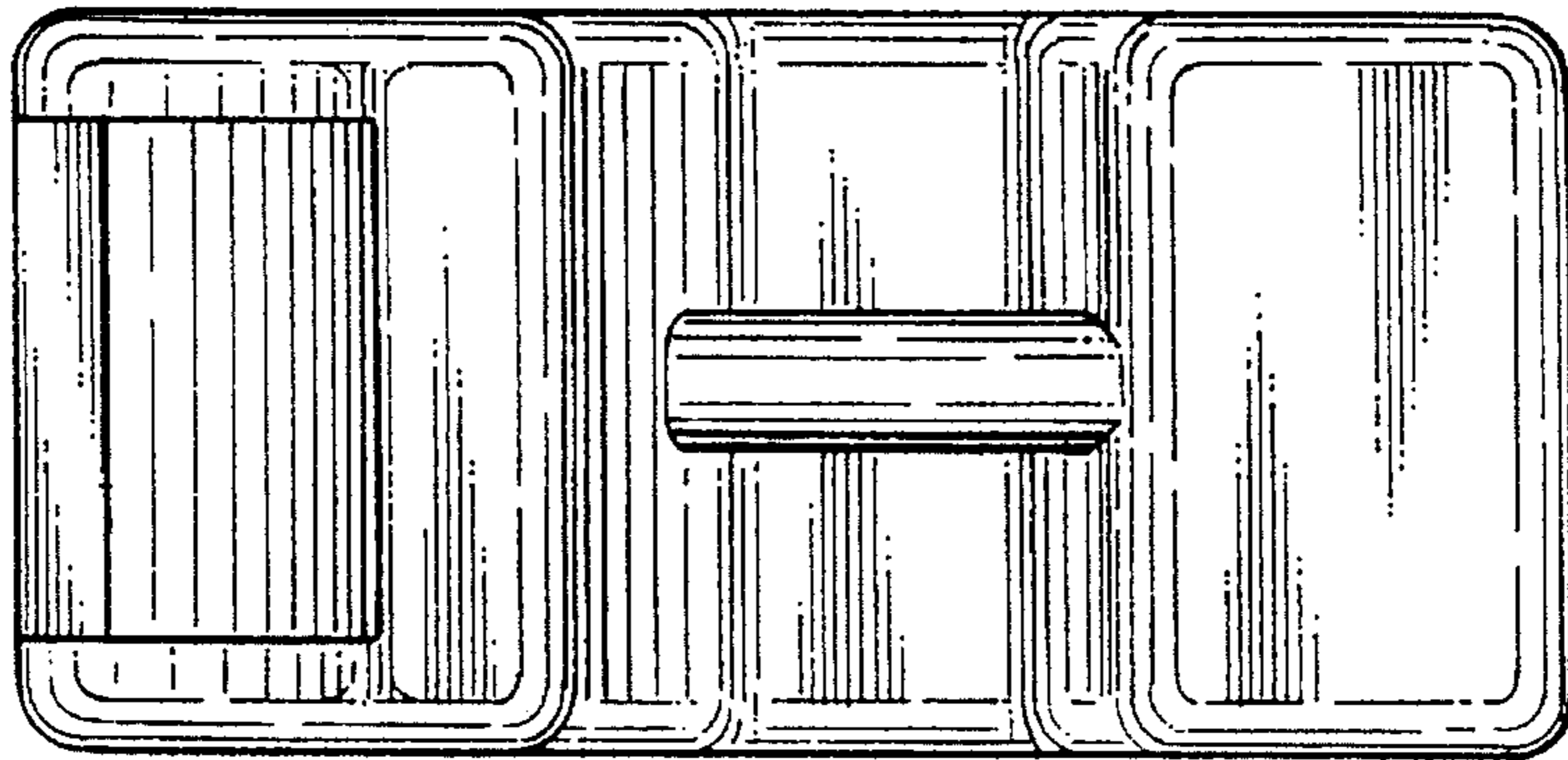


Fig. 6

