



US00D377178S

# United States Patent [19]

Kotlarek et al.

[11] Patent Number: **Des. 377,178**

[45] Date of Patent: **\*\*Jan. 7, 1997**

[54] REFRIGERATION COMPRESSOR SHELL

2,215,991	9/1940	Anderson et al.	417/415
3,033,009	5/1962	Berger et al.	417/415
5,443,371	8/1995	Calciolari	181/403 X

[75] Inventors: **Peter A. Kotlarek**, Onalaska; **Larry R. Arentz**, Mindoro; **Dyck A. Shepherd**, Stoddard, all of Wis.

*Primary Examiner*—Susan J. Lucas  
*Assistant Examiner*—Cynthia F. Ramirez  
*Attorney, Agent, or Firm*—William J. Beres; William O'Driscoll; Peter D. Ferguson

[73] Assignee: **American Standard Inc.**, Piscataway, N.J.

[\*\*] Term: **14 Years**

### [57] CLAIM

[21] Appl. No.: **42,199**

The ornamental design for a refrigeration compressor shell, as shown and described.

[22] Filed: **Aug. 3, 1995**

### DESCRIPTION

[52] U.S. Cl. .... **D15/9; D15/7**

[58] Field of Search ..... D15/7, 8, 9; 181/403; D23/314, 315; 417/237, 152, 153, 87, 360, 361, 40, 424.1, 410.1

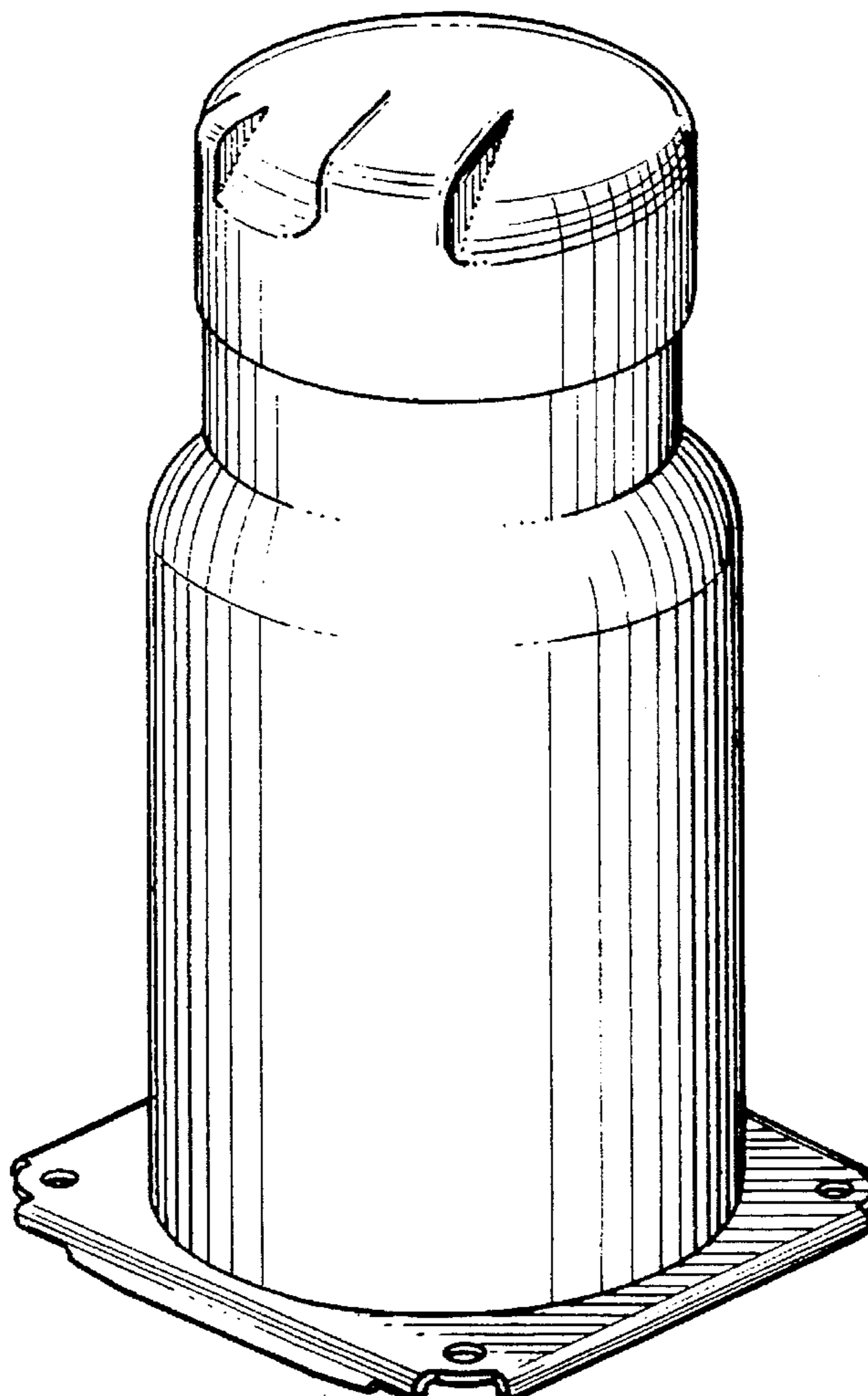
FIG. 1 is a top, right side, front perspective view of a refrigeration compressor shell showing our new design; FIG. 2 is a top plan view thereof; FIG. 3 is a front view thereof; FIG. 4 is a right side view thereof; FIG. 5 is a back view thereof; FIG. 6 is a left side view; and, FIG. 7 is a bottom view thereof.

### [56] References Cited

#### U.S. PATENT DOCUMENTS

D. 124,826	1/1941	Zumbro	D15/7
D. 160,845	11/1950	Dreyfuss	D15/7
D. 309,308	7/1990	Webb	D15/7

**1 Claim, 3 Drawing Sheets**



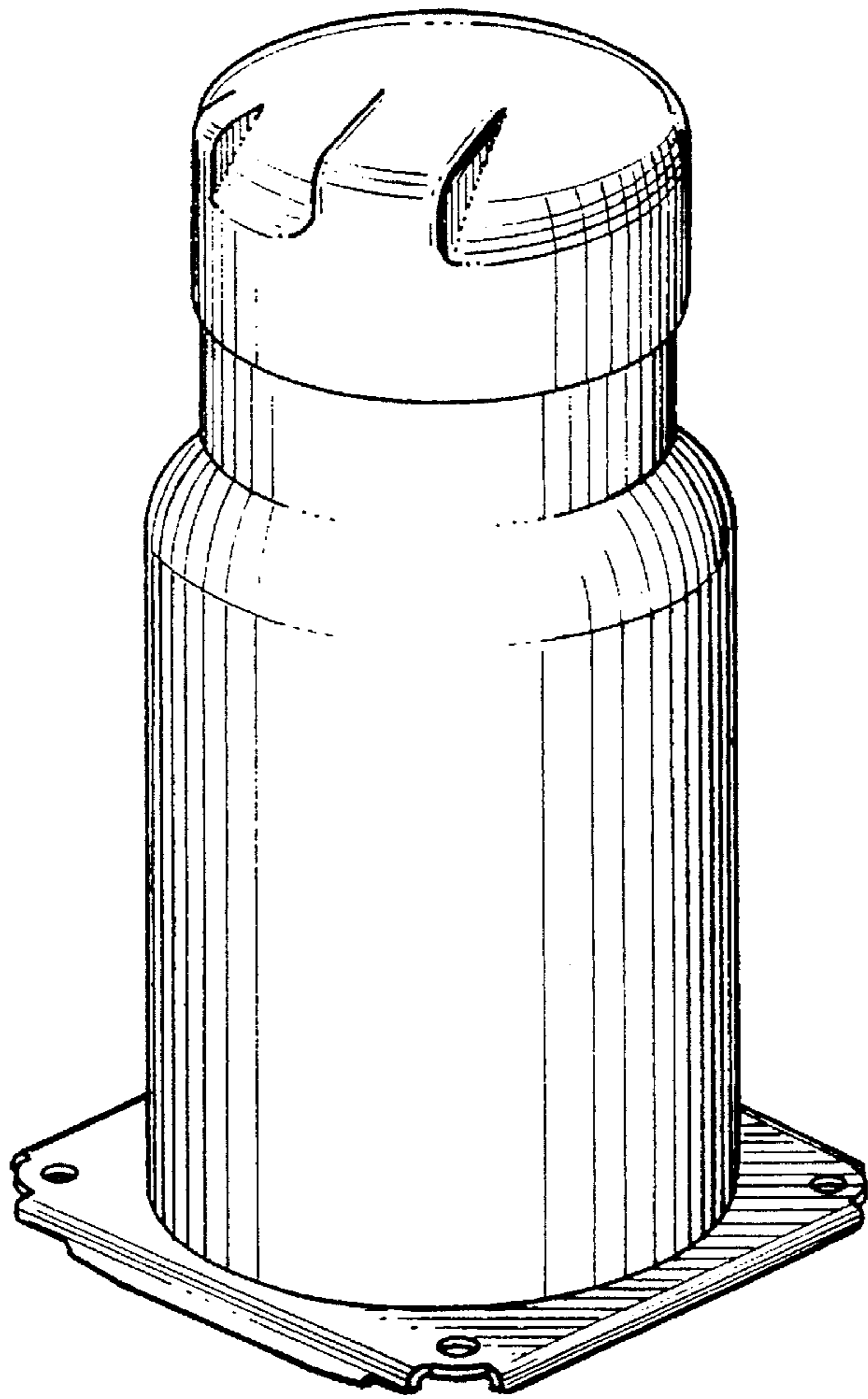
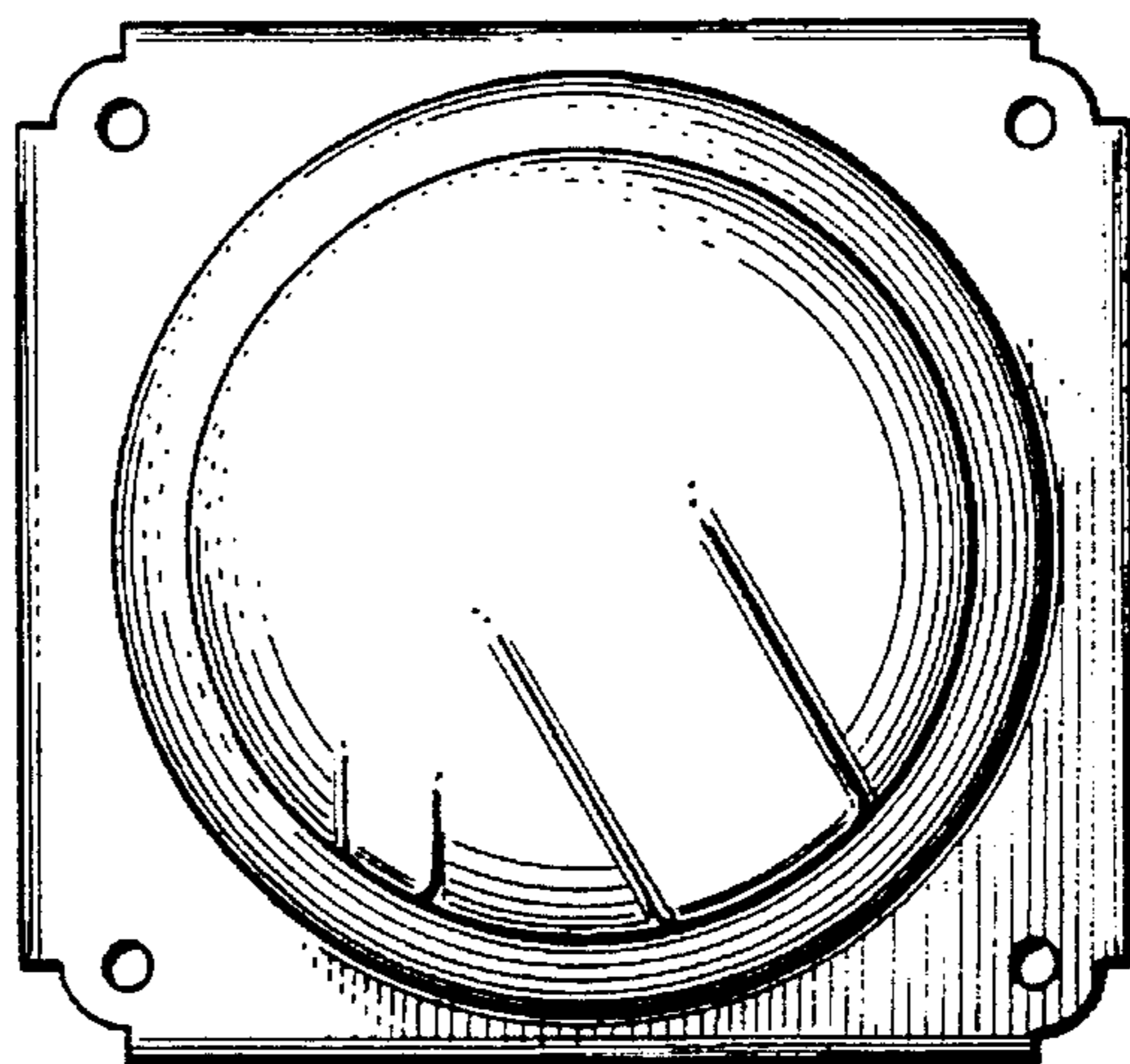


FIG. 1

FIG. 2



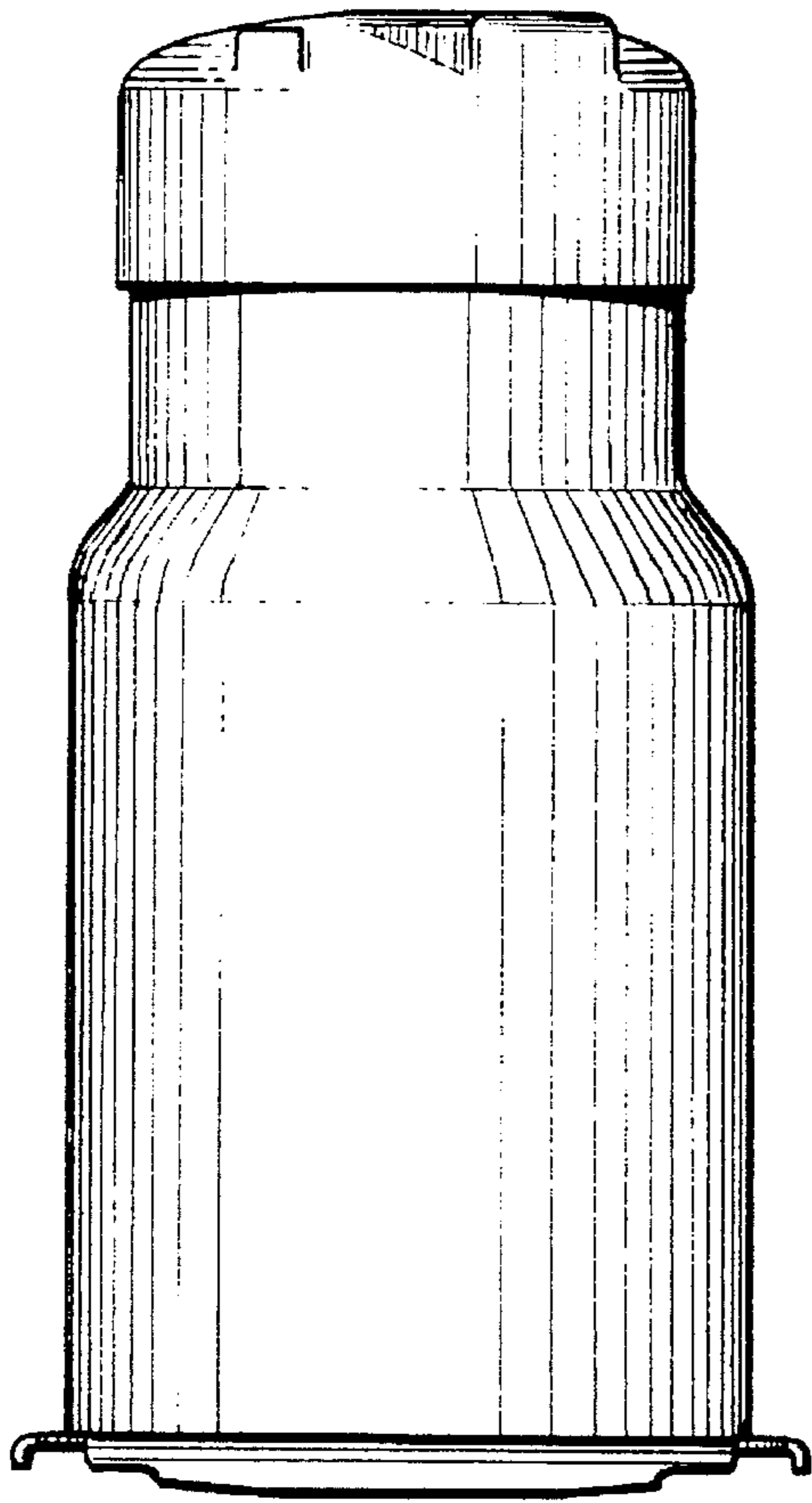


FIG. 3

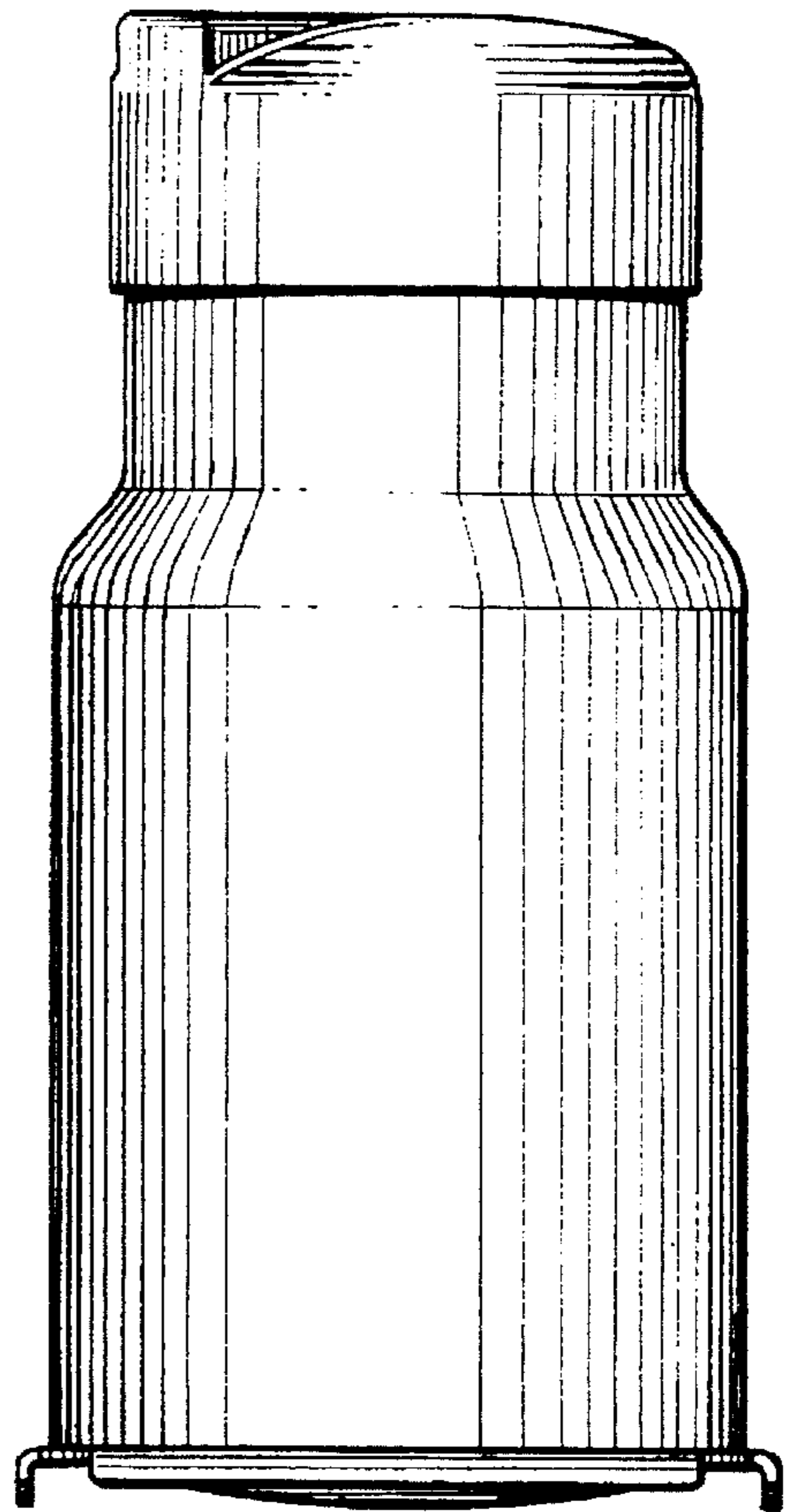
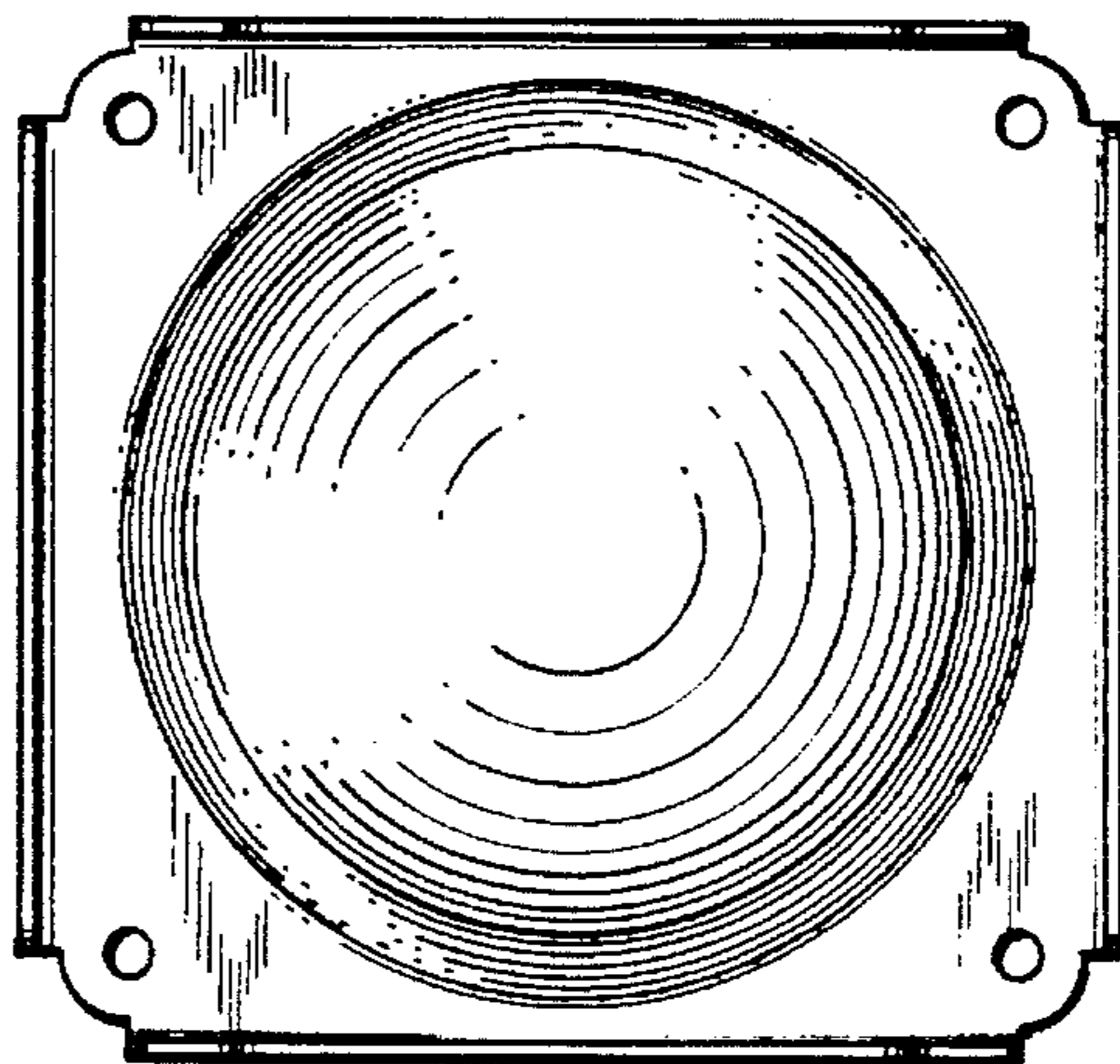


FIG. 4

FIG. 7



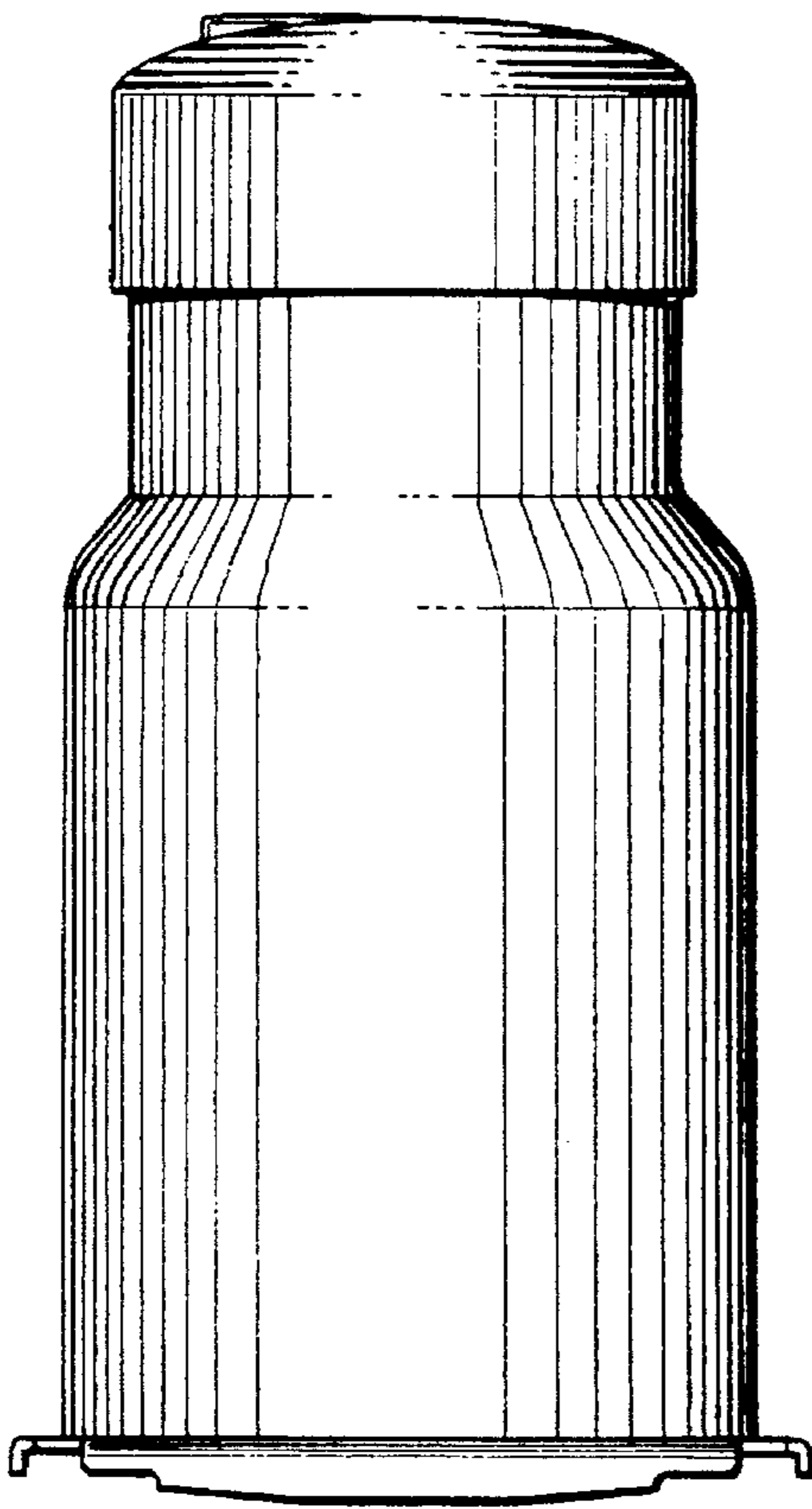


FIG. 5

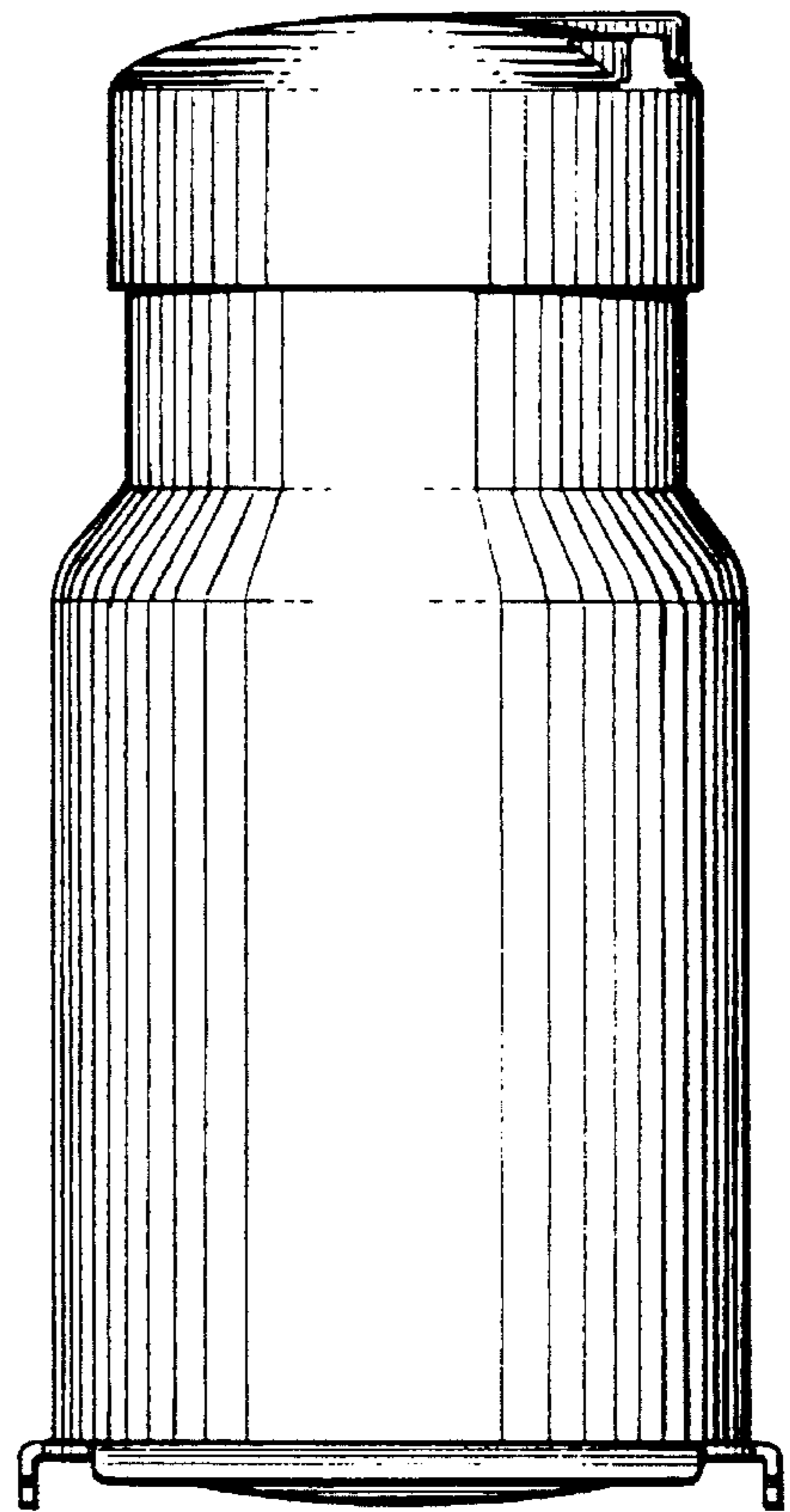


FIG. 6