



US00D377177S

United States Patent [19]

Heine et al.

[11] **Patent Number:** **Des. 377,177**

[45] **Date of Patent:** ****Jan. 7, 1997**

[54] **FOLDING TELEPHONE ANTENNA SYSTEM**

[75] Inventors: **Martin Heine**, Troy; **Diuxian Liu**, Dayton, both of Ohio

[73] Assignee: **Valor Enterprises, Inc.**, Piqua, Ohio

[**] Term: **14 Years**

[21] Appl. No.: **49,430**

[22] Filed: **Jan. 25, 1996**

[52] U.S. Cl. **D14/230**; D14/238

[58] **Field of Search** D14/230, 238, D14/234; 343/700 R, 723, 803, 807, 878, 887-889, 892

[56] **References Cited**

U.S. PATENT DOCUMENTS

D. 157,090	1/1950	Schmidt	D14/234
D. 344,731	3/1994	Witzky	D14/230
D. 367,481	2/1996	Bacnik	D14/230
5,436,633	7/1995	Lin	343/723
5,513,383	4/1996	Tsao	343/878

Primary Examiner—Dominic Simone
Attorney, Agent, or Firm—Jacox, Meckstroth & Jenkins

[57] **CLAIM**

The ornamental design of a folding telephone antenna system, as shown and described.

DESCRIPTION

FIG. 1 is a right side elevational view of a folding telephone antenna system showing our new design, the telephone shown in broken lines for illustrative purposes only; FIG. 2 is an enlarged perspective view thereof; FIG. 3 is a right side elevational view of FIG. 2; FIG. 4 is a left side elevational view of FIG. 2; FIG. 5 is a top plan view of FIG. 2; FIG. 6 is a bottom plan view of FIG. 2; FIG. 7 is a front elevational view of FIG. 2; and, FIG. 8 is a rear elevational view of FIG. 2.

The broken line in FIG. 1 and showing attached structure is for illustrative purposes only and forms no part of the claimed design.

1 Claim, 1 Drawing Sheet

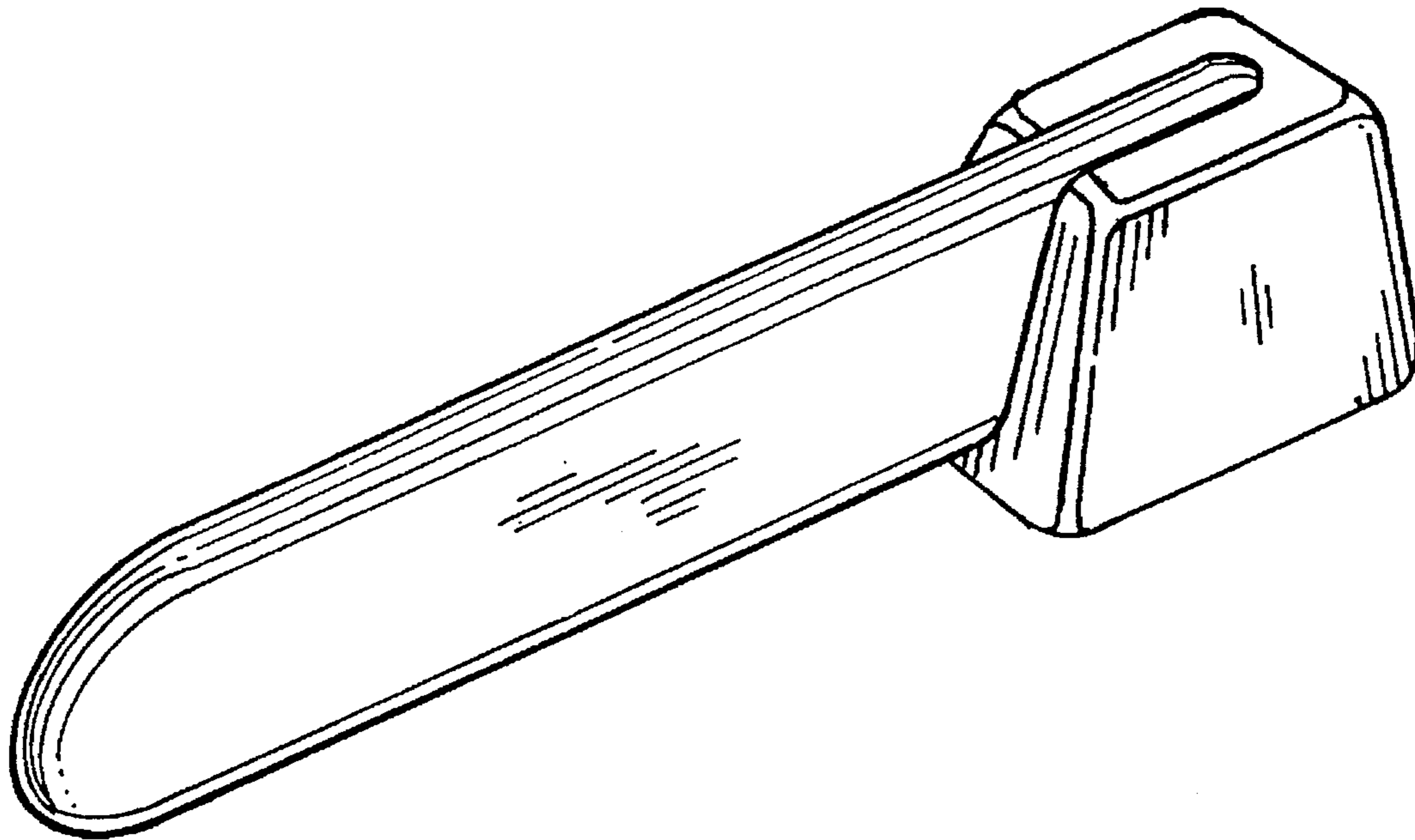


FIG-1

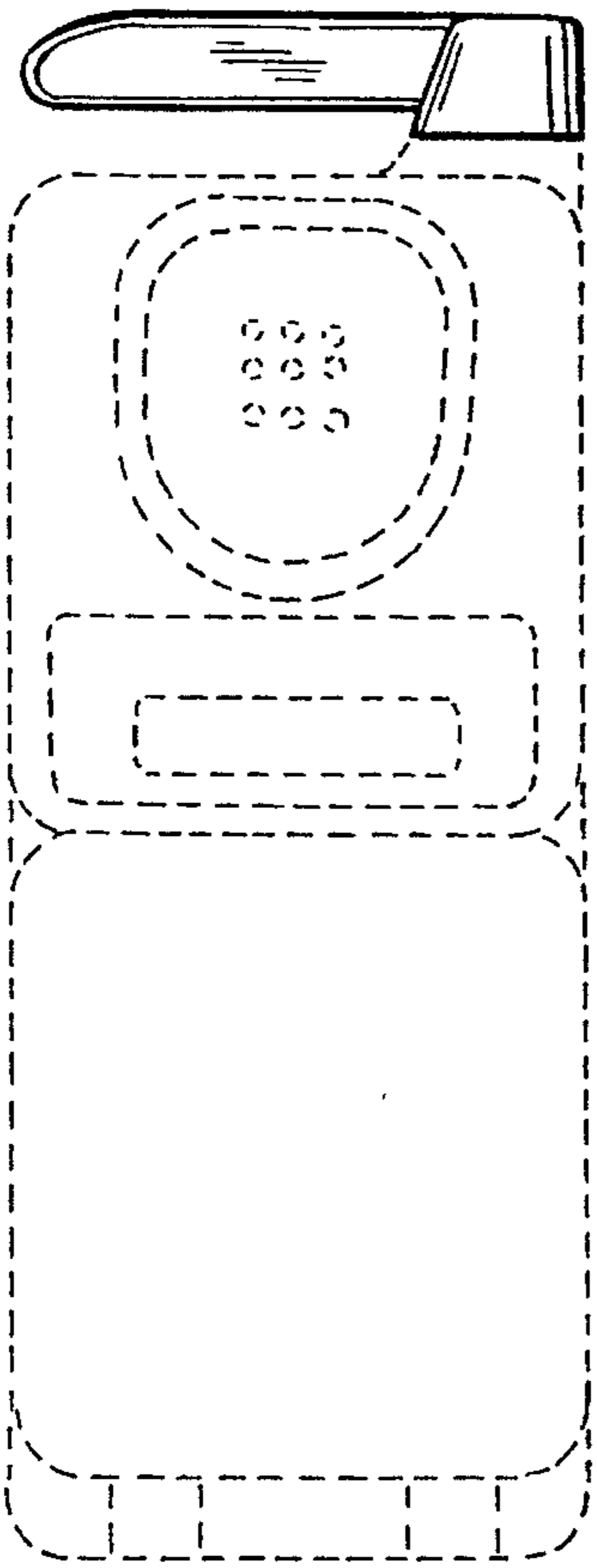


FIG-2

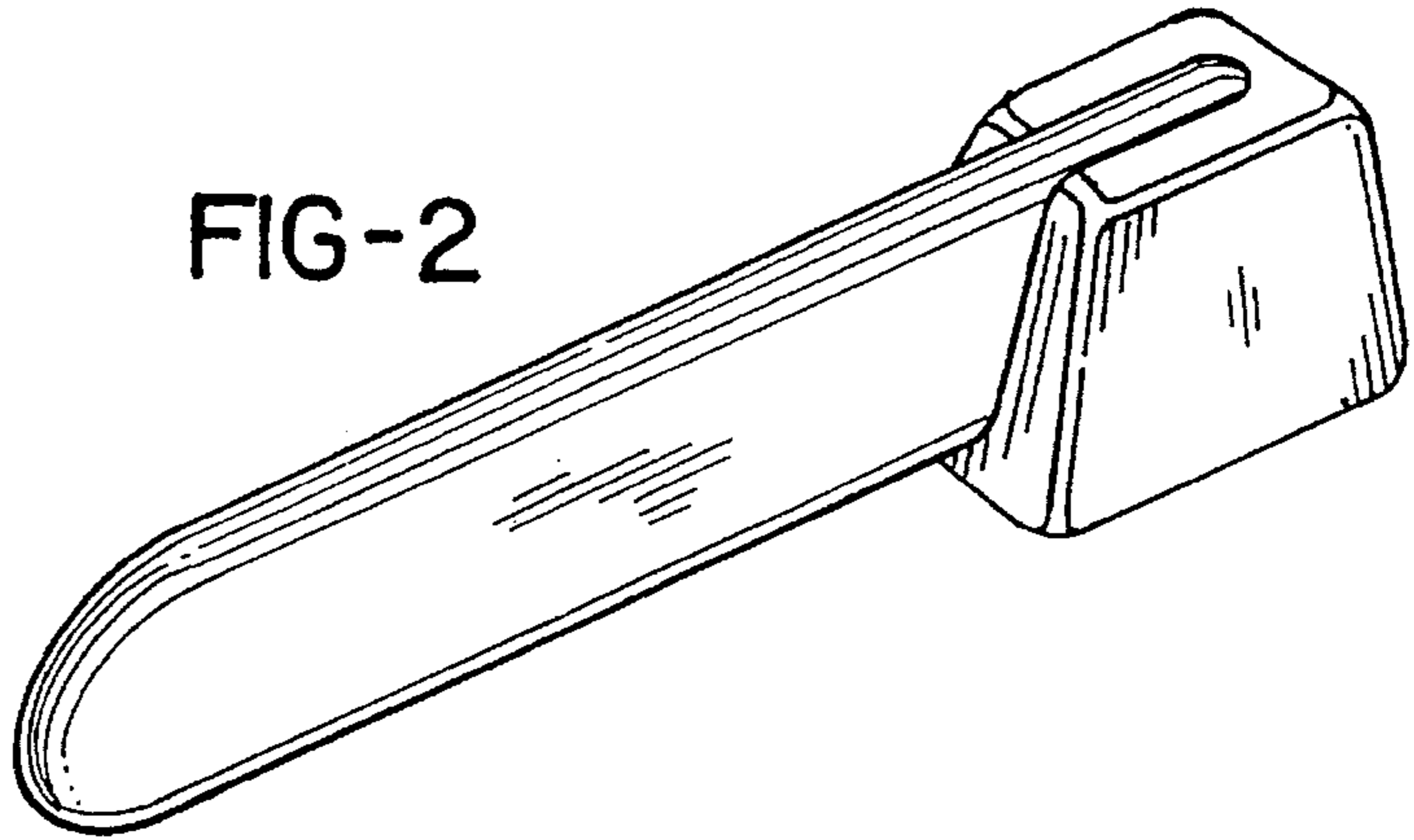


FIG-3

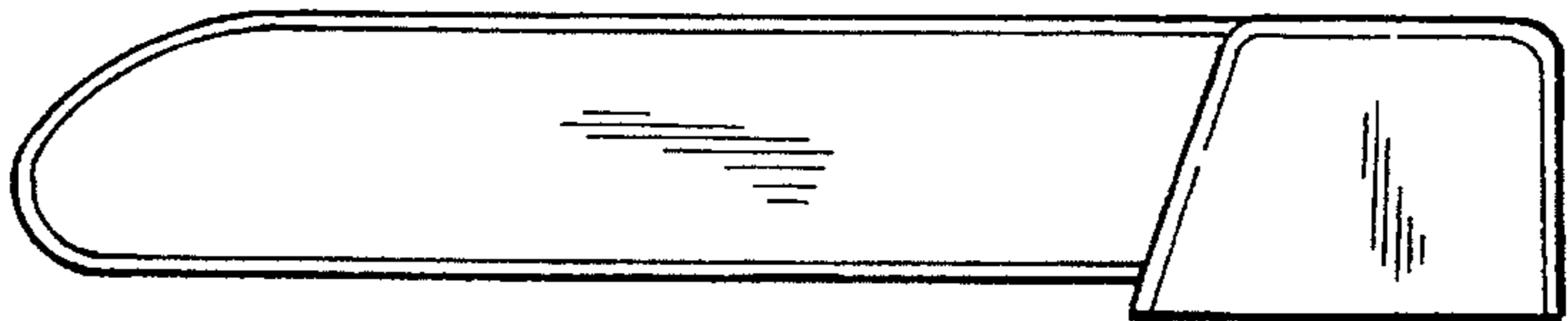


FIG-4

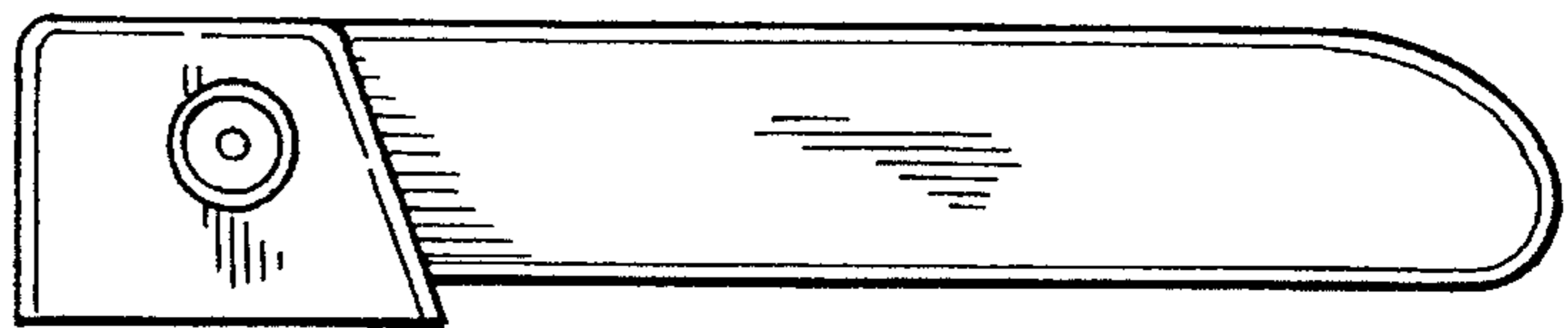


FIG-5

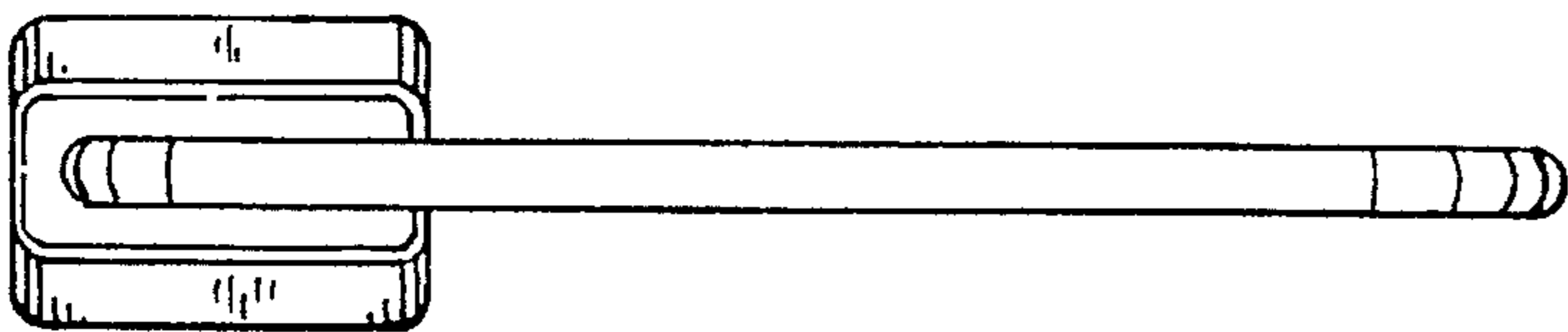


FIG-7

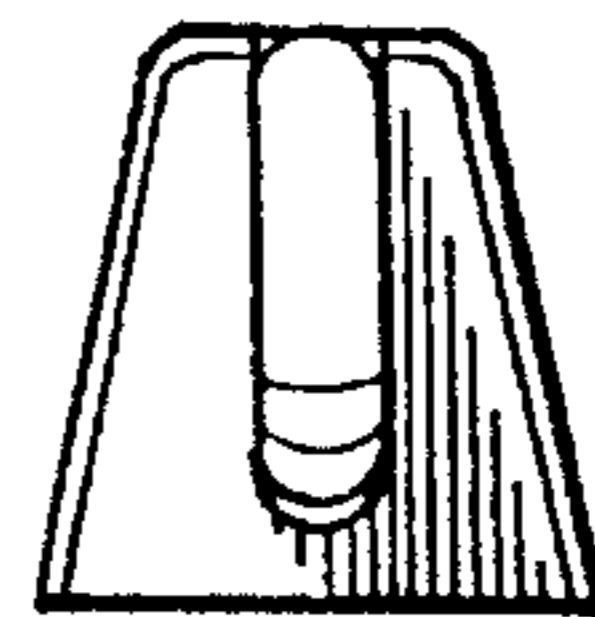


FIG-6

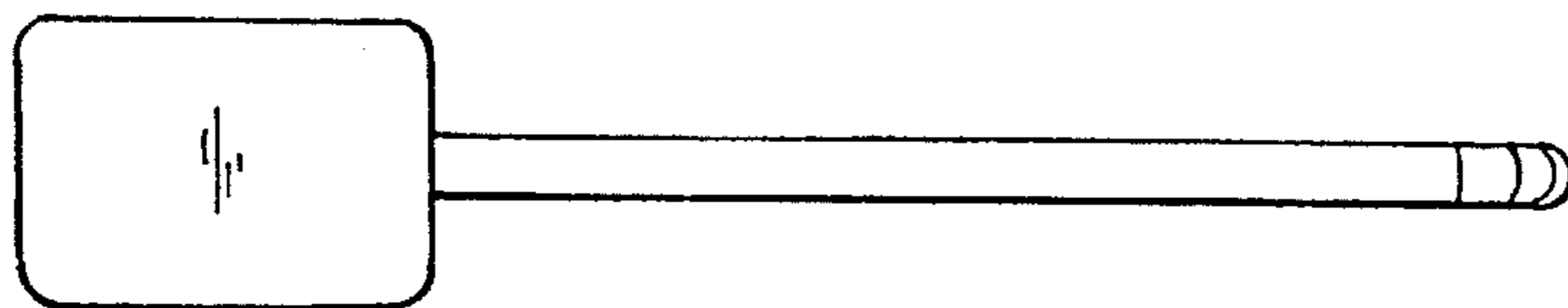


FIG-8

