



US00D377176S

United States Patent [19]

Ito et al.

[11] Patent Number: **Des. 377,176**

[45] Date of Patent: ****Jan. 7, 1997**

[54] **SPEAKER BOX**

[75] Inventors: **Masafumi Ito; Minoru Sube; Hiroyuki Watanabe**, all of Musashino, Japan

[73] Assignee: **Teac Corporation**, Tokyo, Japan

[**] Term: **14 Years**

[21] Appl. No.: **52,936**

[22] Filed: **Apr. 10, 1996**

[30] **Foreign Application Priority Data**

Oct. 30, 1995 [JP] Japan 7-32690

[52] U.S. Cl. **D14/215; D14/214**

[58] Field of Search D14/204, 207, D14/209-216, 219-222; 181/141-145, 148, 150-153, 157, 198-199; 381/24, 88, 90, 153, 159, 186, 188

[56] **References Cited**

U.S. PATENT DOCUMENTS

D. 182,794 5/1958 Eames D14/214

D. 317,008	5/1991	Emmerling	D14/210 X
D. 332,607	1/1993	Yamazaki	D14/210
3,194,340	7/1965	Kawayama	D14/215 X
4,843,624	6/1989	Rashak	181/199 X

Primary Examiner—Sandra L. Morris
Assistant Examiner—Nanda Bondade
Attorney, Agent, or Firm—Ladas & Parry

[57] **CLAIM**

The ornamental design for a speaker box, as shown and described.

DESCRIPTION

FIG. 1 is a perspective view of a speaker box showing our new design;
FIG. 2 is a front view thereof;
FIG. 3 is a left side view thereof;
FIG. 4 is a rear view thereof;
FIG. 5 is a right side view thereof;
FIG. 6 is a bottom view thereof; and,
FIG. 7 is a top view thereof.

1 Claim, 4 Drawing Sheets

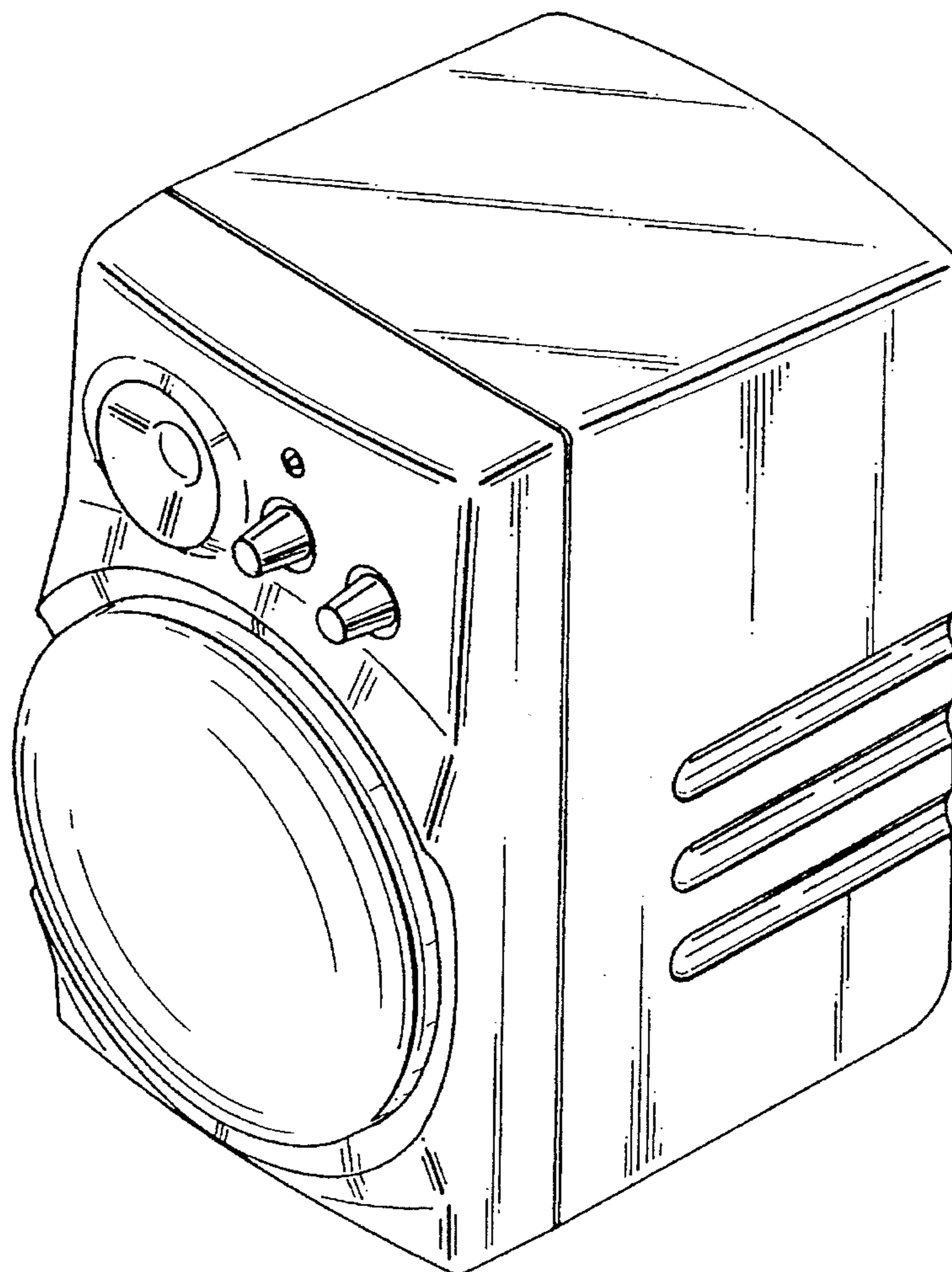


FIG.1

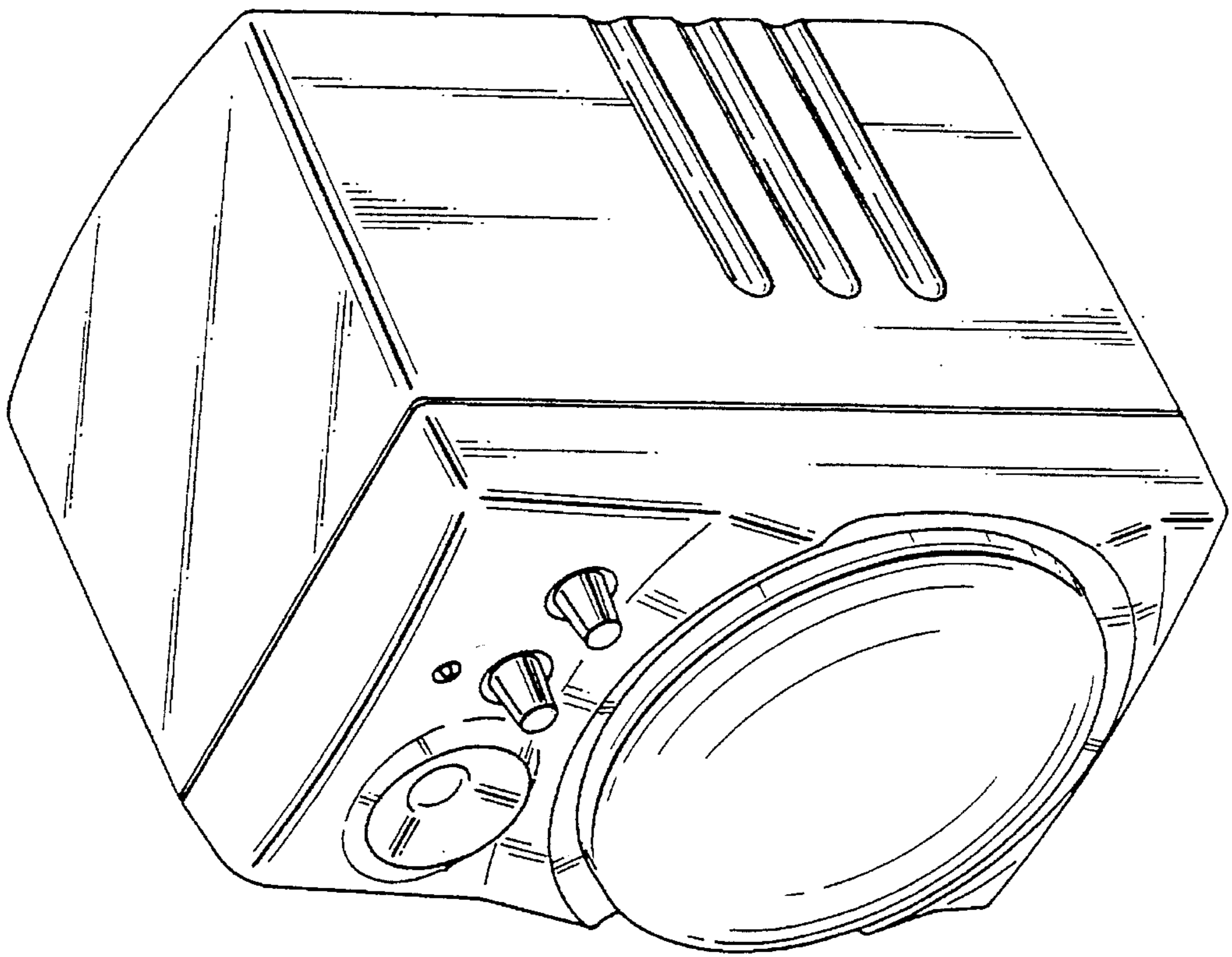


FIG. 2

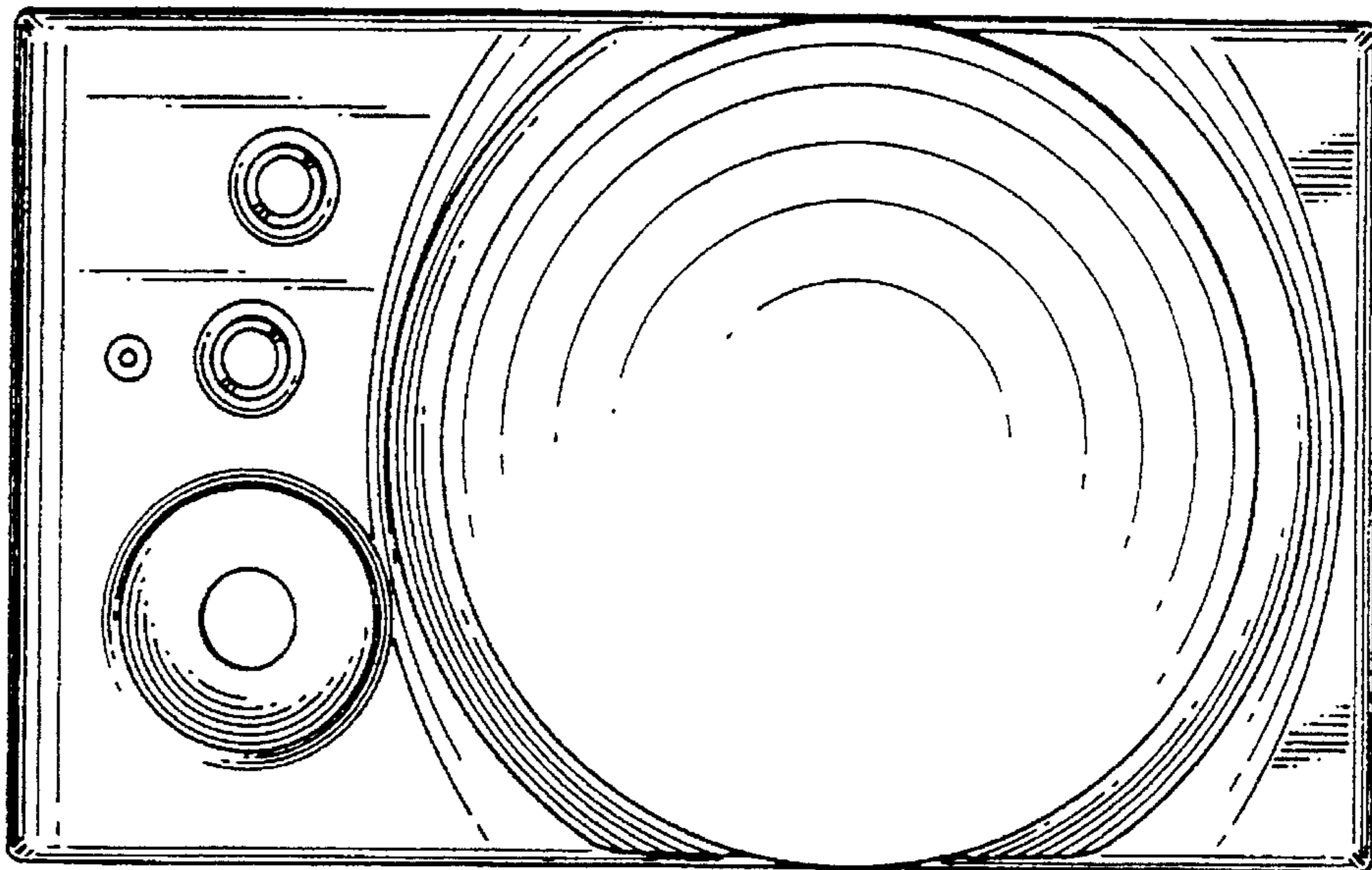


FIG. 3

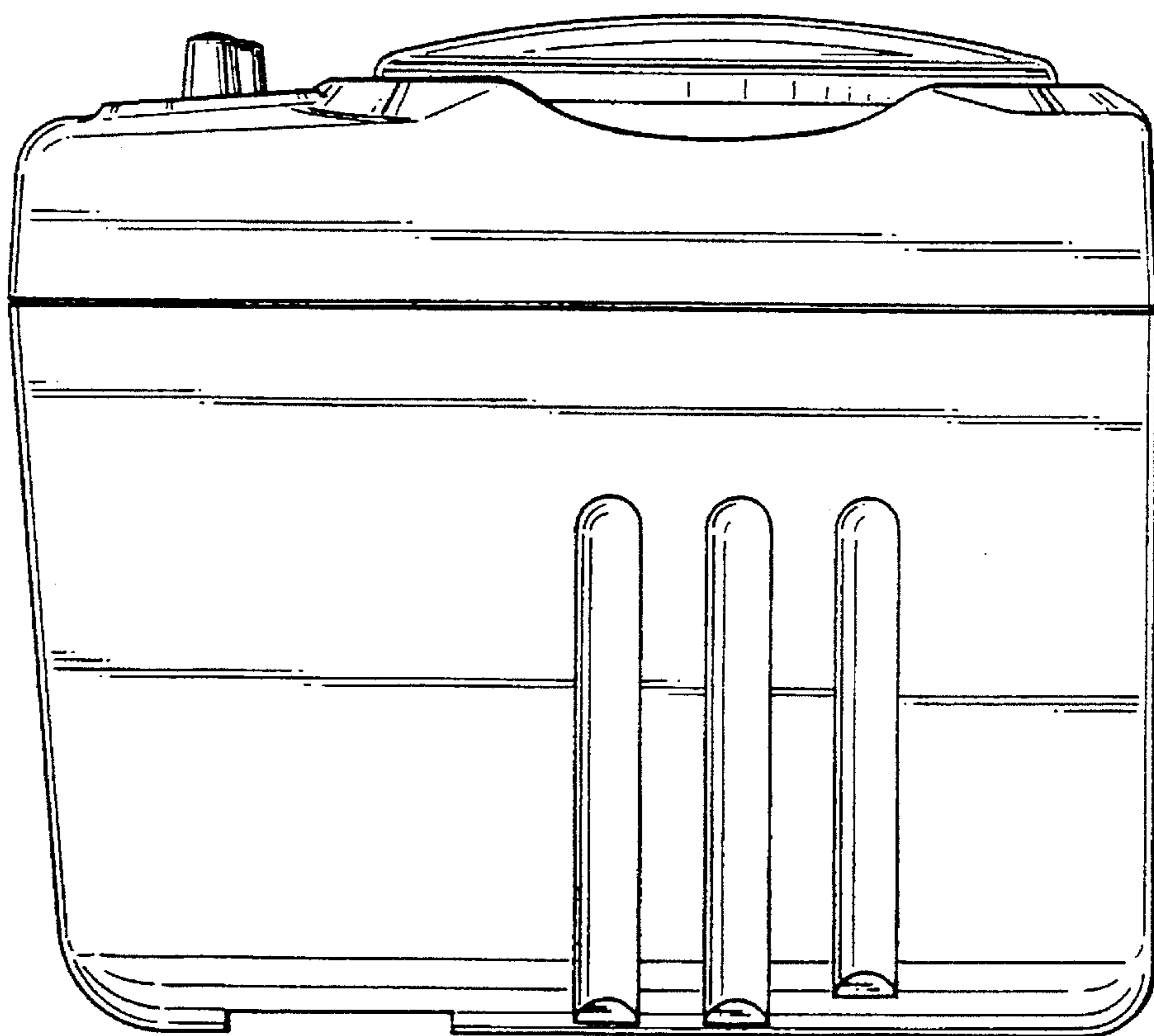


FIG. 4

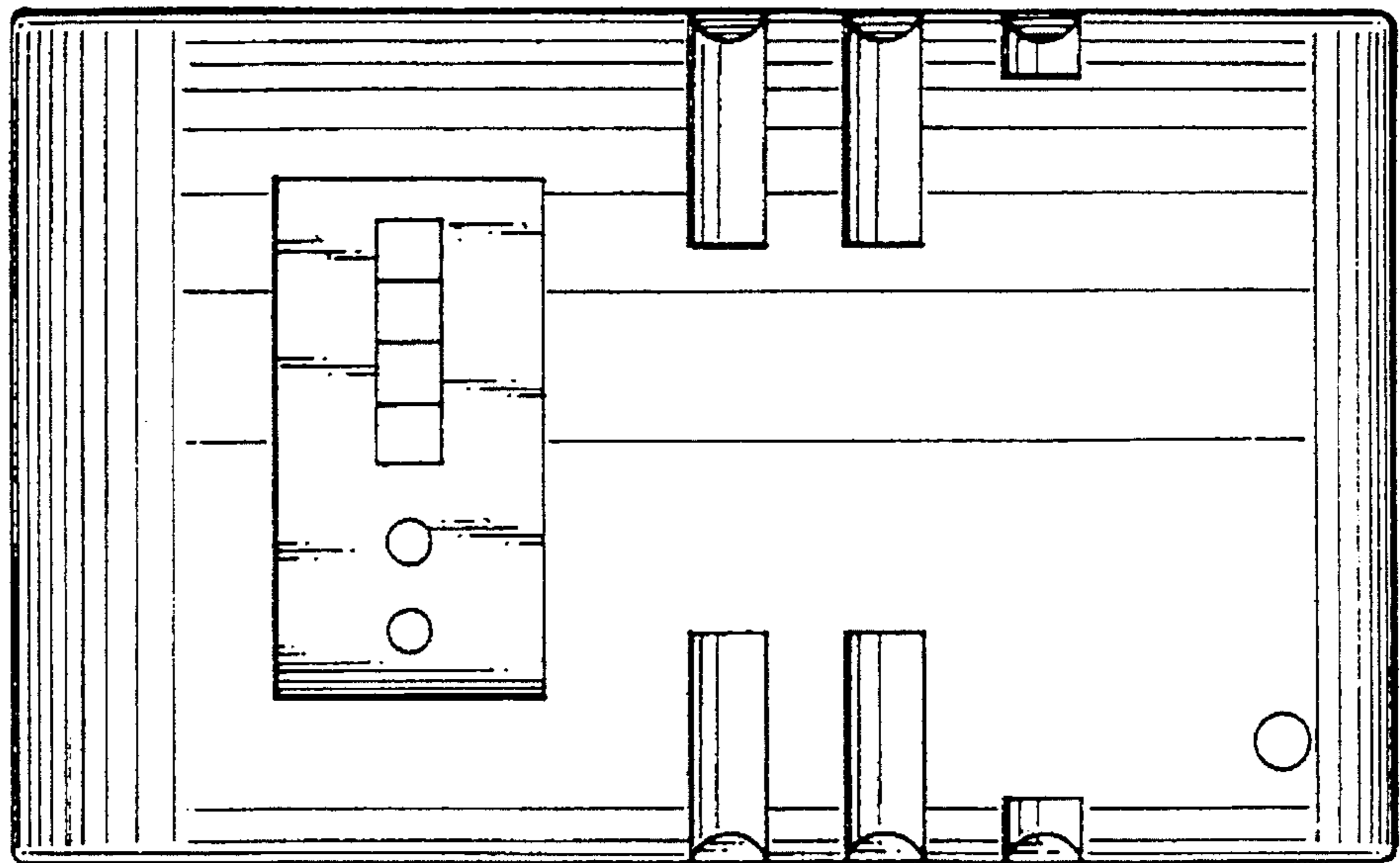


FIG. 5

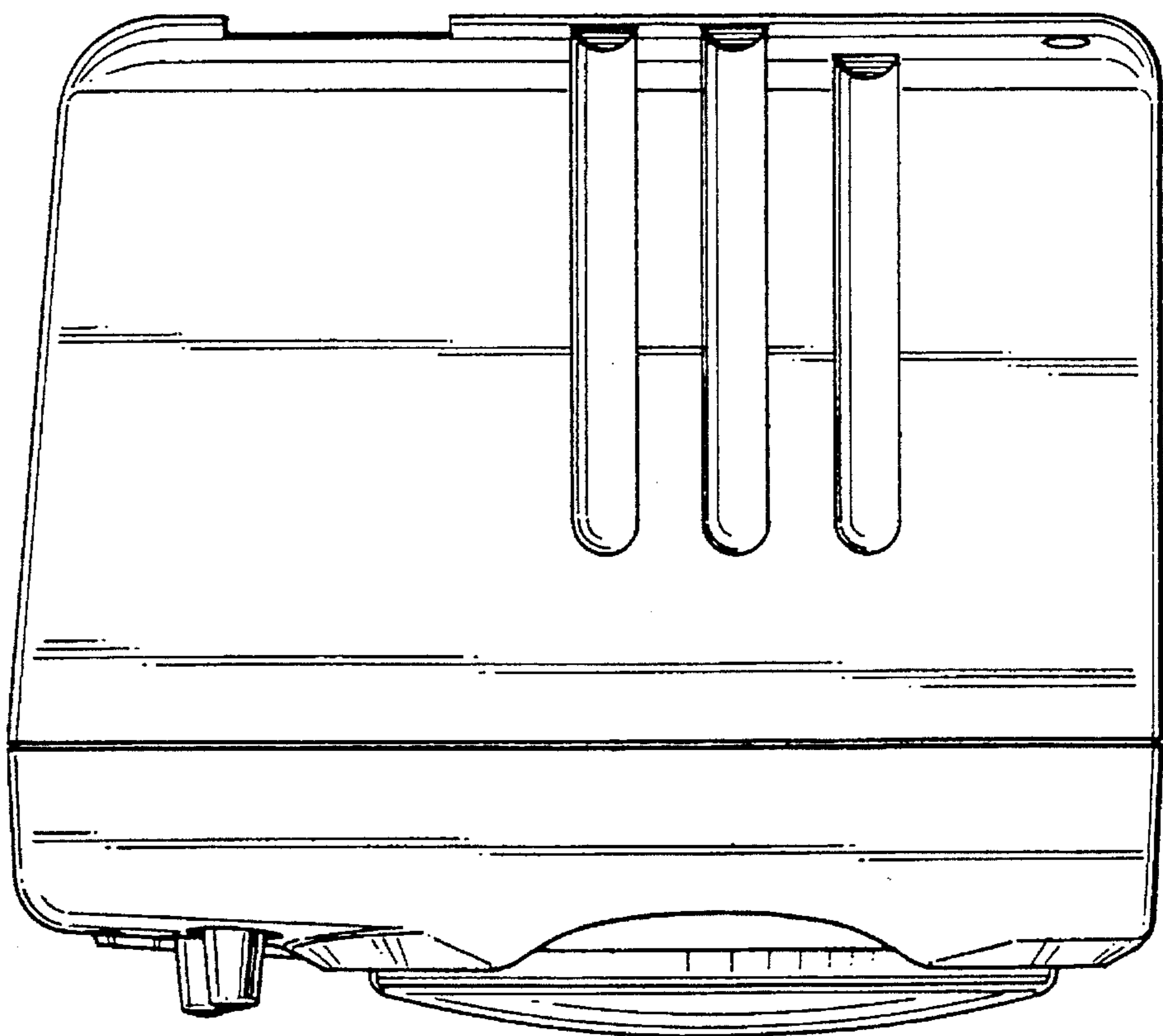


FIG. 6

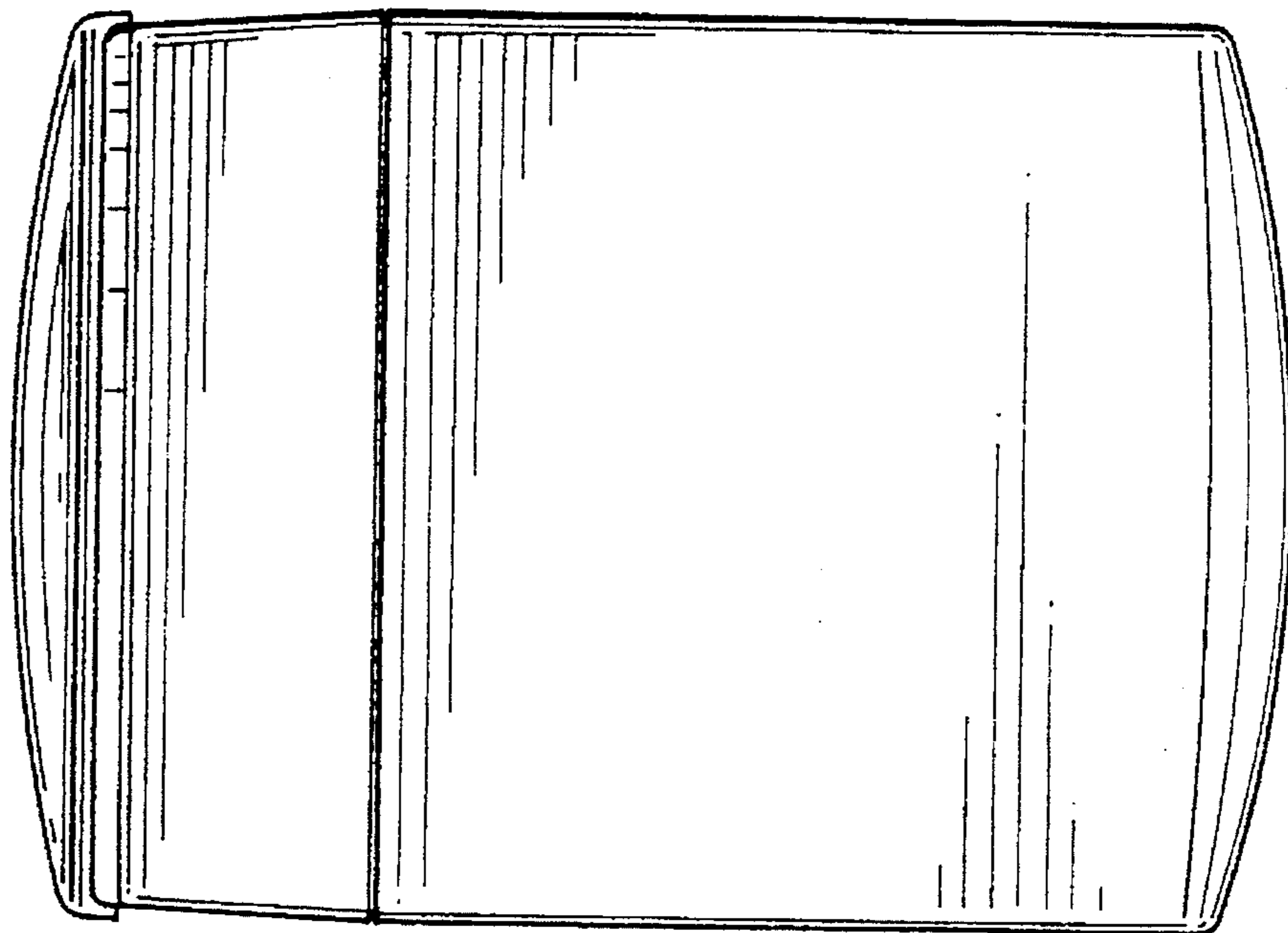


FIG. 7

