



US00D377173S

# United States Patent [19]

Yuen

[11] Patent Number: **Des. 377,173**

[45] Date of Patent: **\*\*Jan. 7, 1997**

[54] **COMBINED RADIO WITH FLOURESCENT LANTERN, SPOTLIGHT AND BLINKING LIGHT**

[75] Inventor: **John S. Yuen, Kwun Tong, Hong Kong**

[73] Assignee: **John Manufacturing Limited, Kowloon, Hong Kong**

[\*\*] Term: **14 Years**

[21] Appl. No.: **46,797**

[22] Filed: **Oct. 17, 1995**

### [30] Foreign Application Priority Data

Apr. 20, 1995 [GB] United Kingdom ..... 2-046874

[52] U.S. Cl. .... **D14/168; D26/38; D26/42**

[58] Field of Search ..... D14/168, 188-189, D14/192-198; D26/38, 42, 48, 50; 455/344, 347, 350, 351

### [56] References Cited

#### U.S. PATENT DOCUMENTS

- D. 287,292 12/1986 Yuen ..... D26/38
- D. 293,481 12/1987 Ohashi ..... D26/38
- D. 302,013 7/1989 Yuen ..... D14/168
- D. 354,054 1/1995 Shitama ..... D14/168 X

#### FOREIGN PATENT DOCUMENTS

2017884 of 0000 United Kingdom .

### OTHER PUBLICATIONS

Hong Kong Enterprise, Jun. 1993 p. 709, SR-30 Searchlight Radio with Florescent Light.

*Primary Examiner*—Sandra L. Morris

*Assistant Examiner*—Nanda Bondade

*Attorney, Agent, or Firm*—Fay, Sharpe, Beall, Fagan, Minnich & McKee

### [57] CLAIM

The ornamental design for a combined radio with fluorescent lantern, spotlight and blinking light, as shown and described.

### DESCRIPTION

FIG. 1 is a right side elevational view of a combined radio with fluorescent lantern, spotlight and blinking light showing my new design;

FIG. 2 is a left side elevational view thereof;

FIG. 3 is a top plan view thereof;

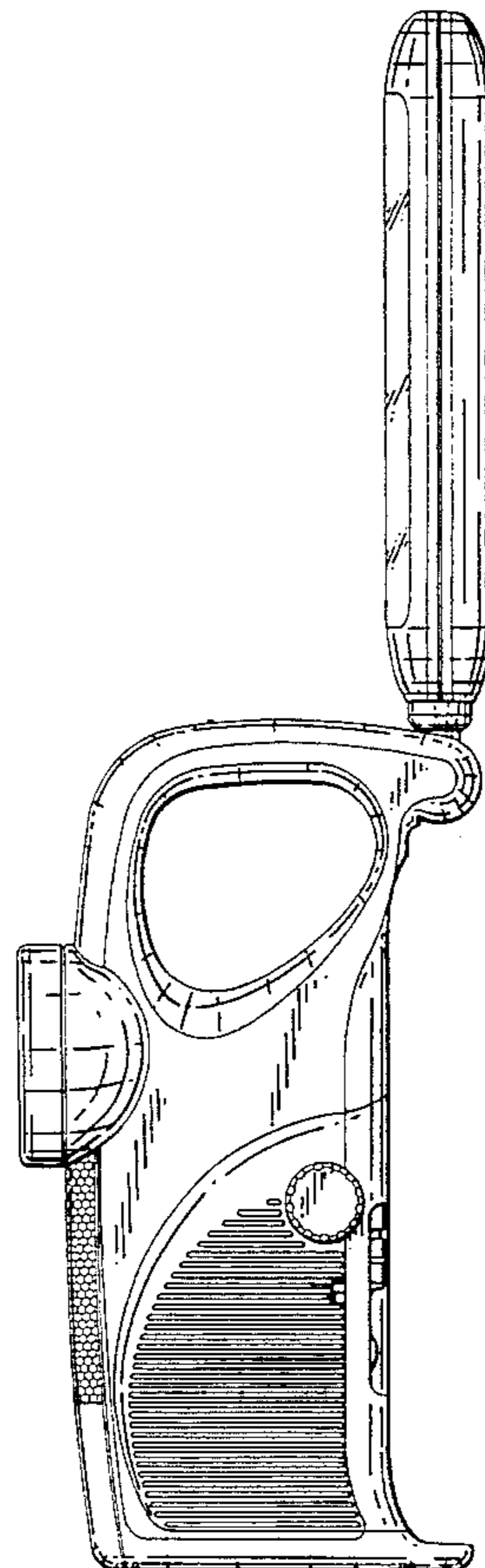
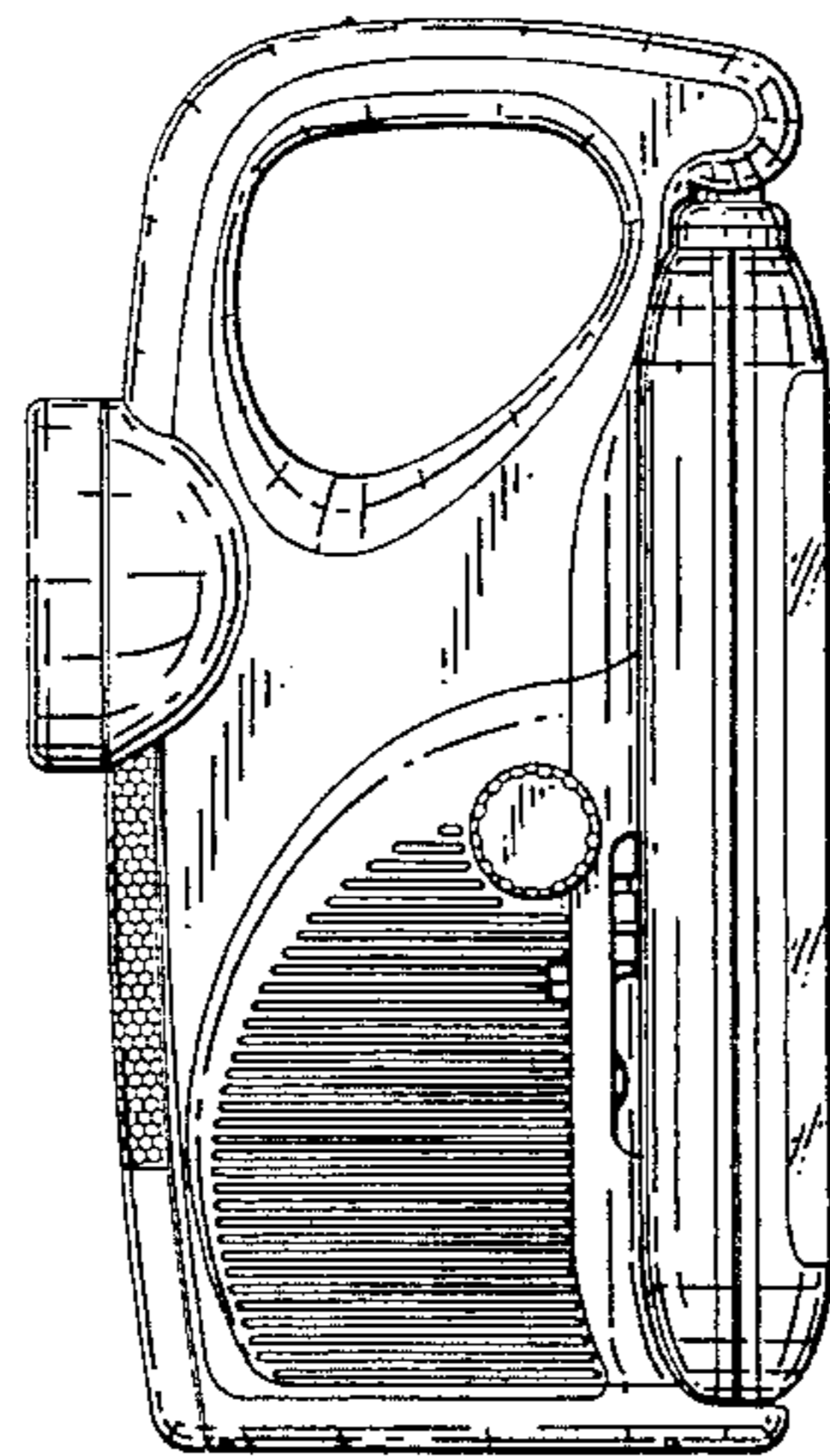
FIG. 4 is a bottom plan view thereof;

FIG. 5 is a front elevational view thereof;

FIG. 6 is a rear elevational view thereof; and,

FIG. 7 is a right side elevational view showing a part in an alternative position.

**1 Claim, 2 Drawing Sheets**



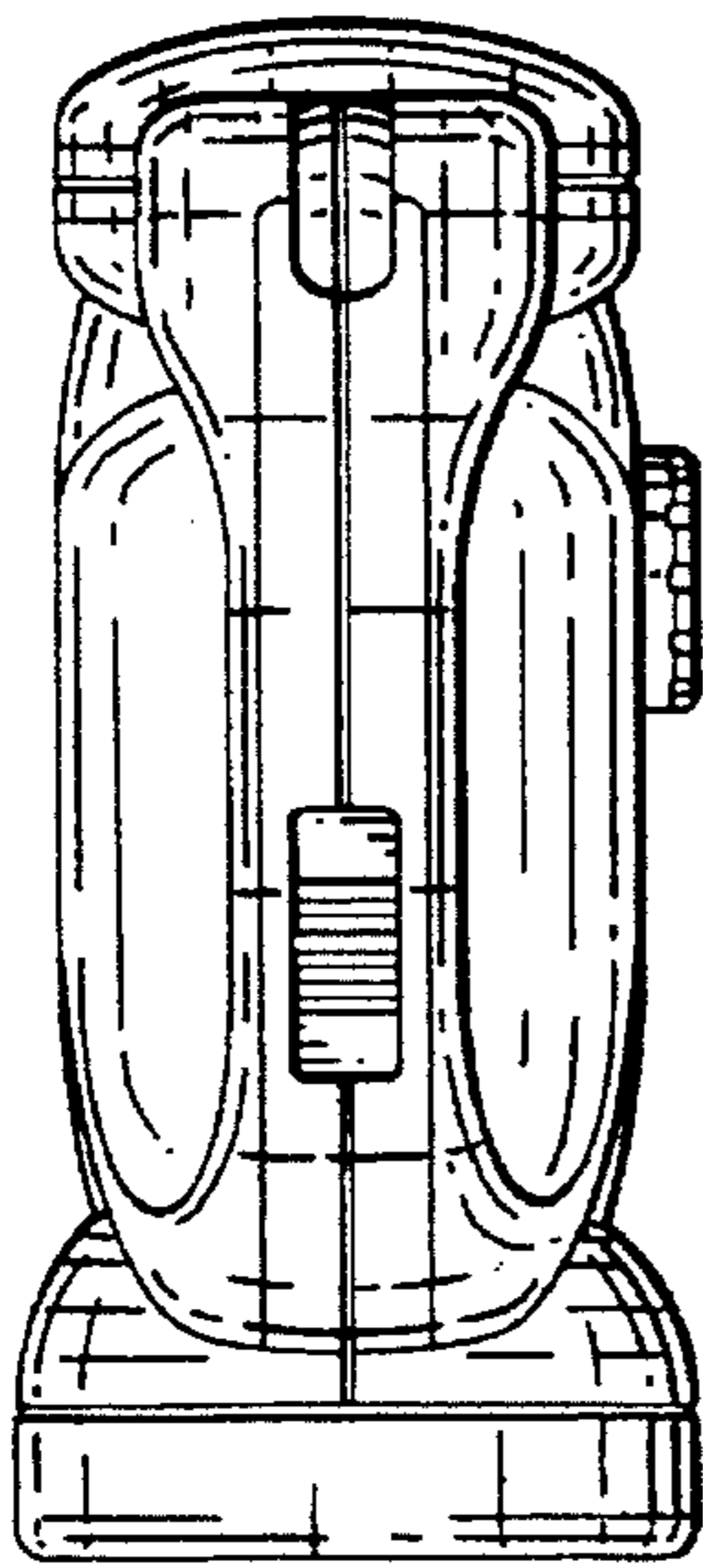


FIG. 3

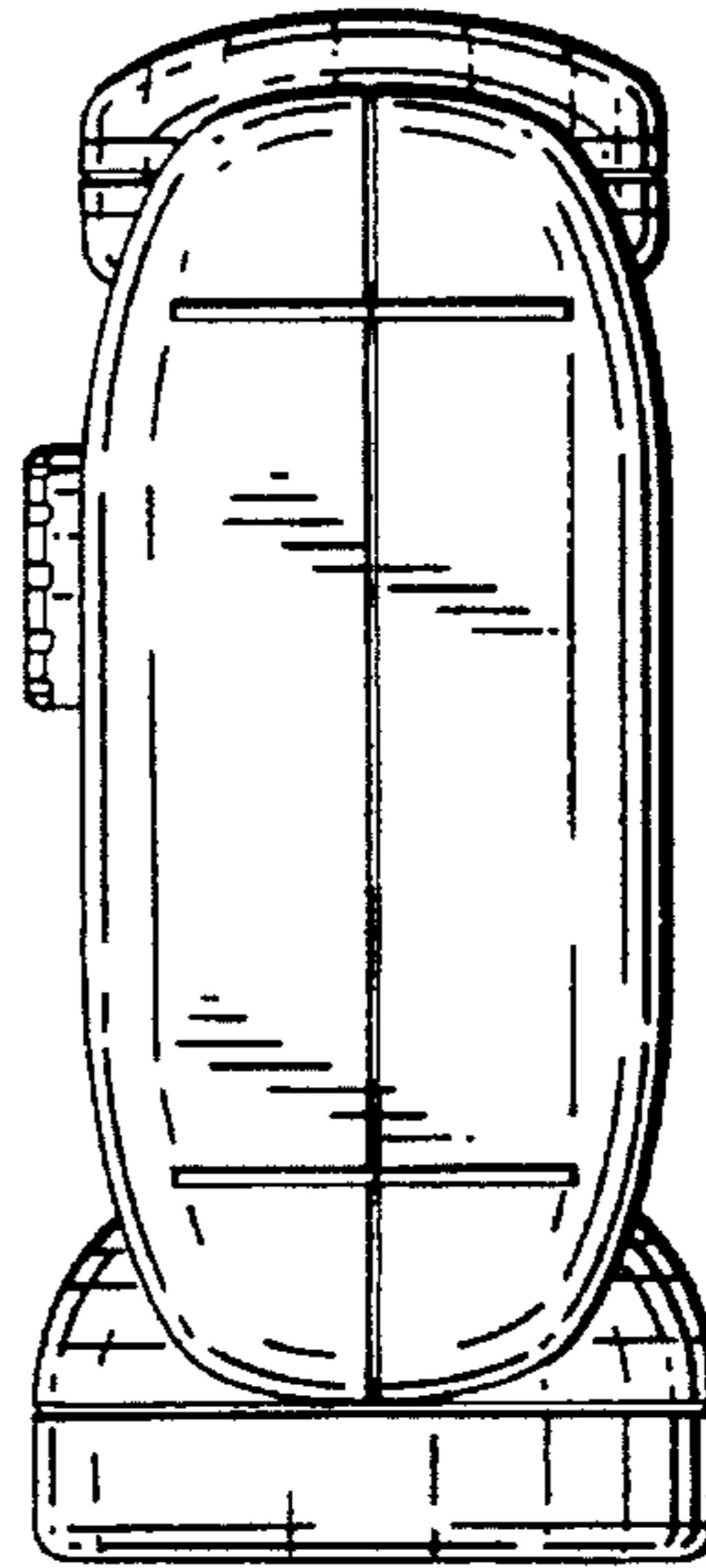


FIG. 4

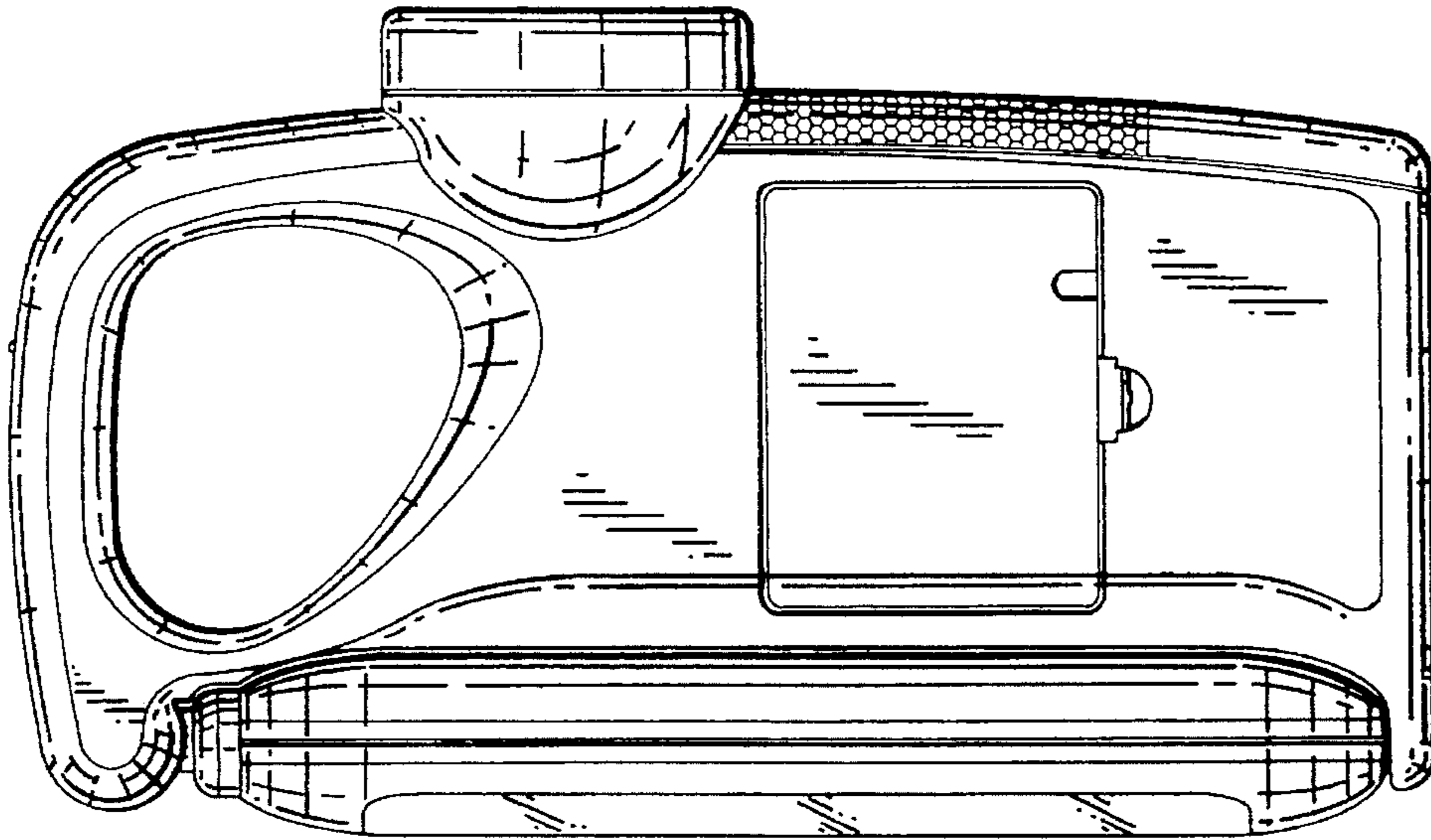


FIG. 2

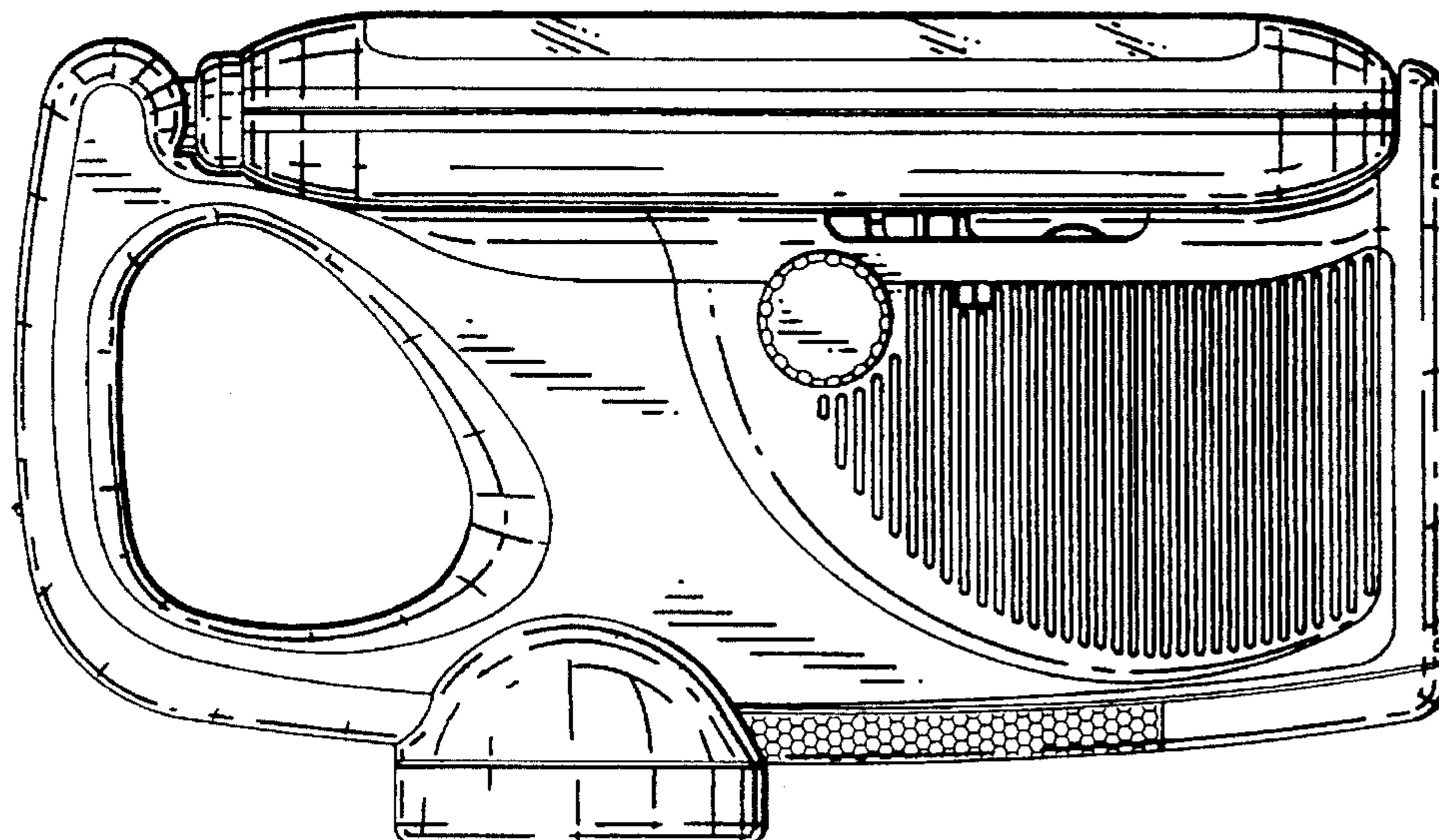


FIG. 1

FIG. 5

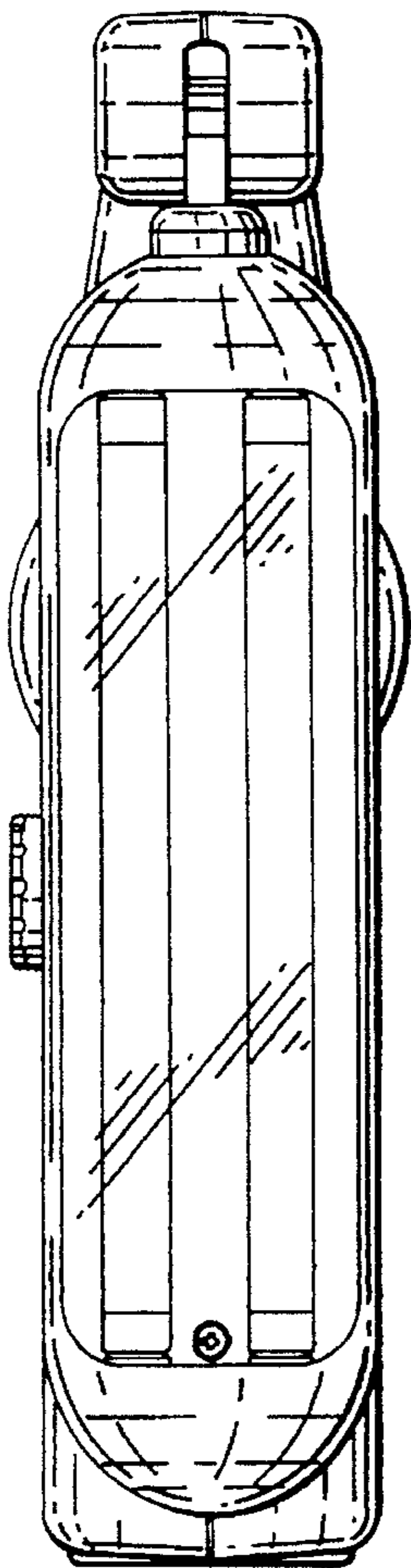
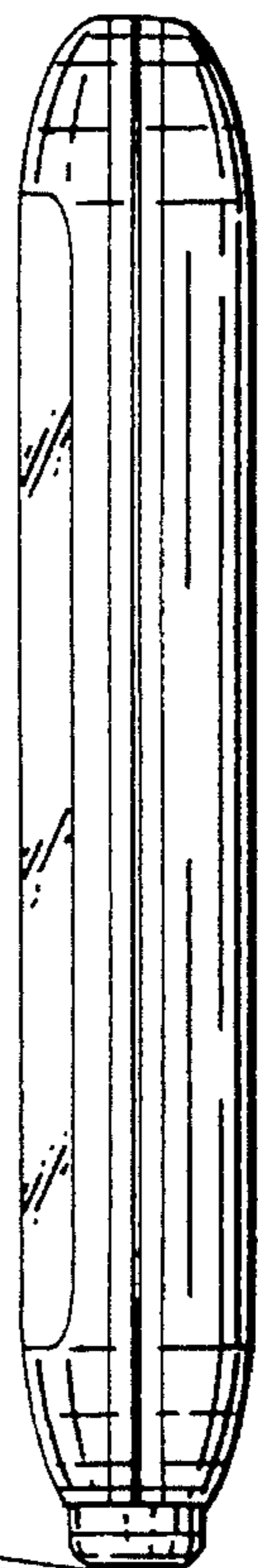
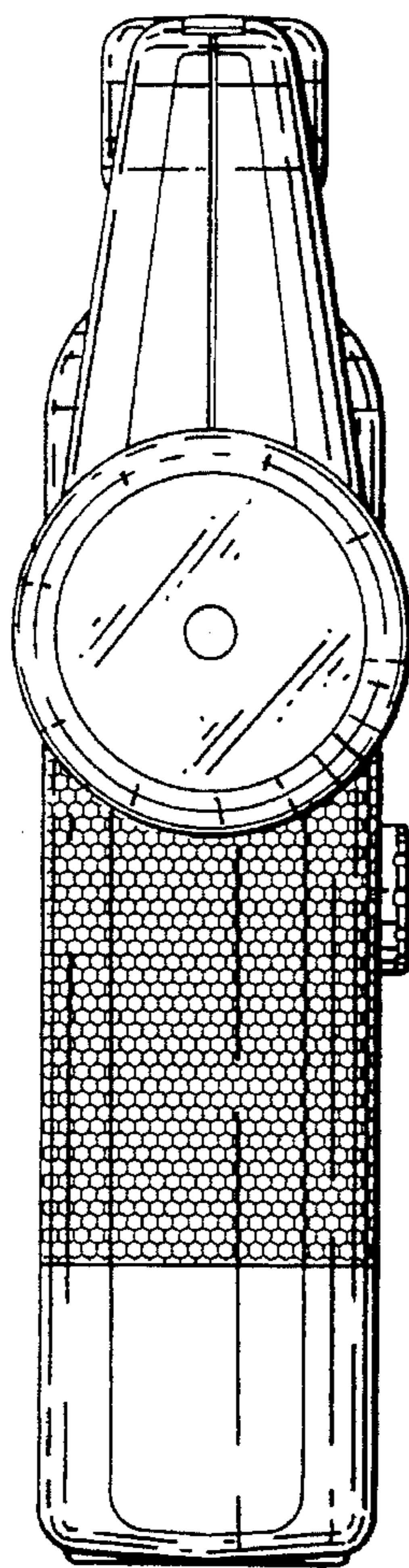


FIG. 6

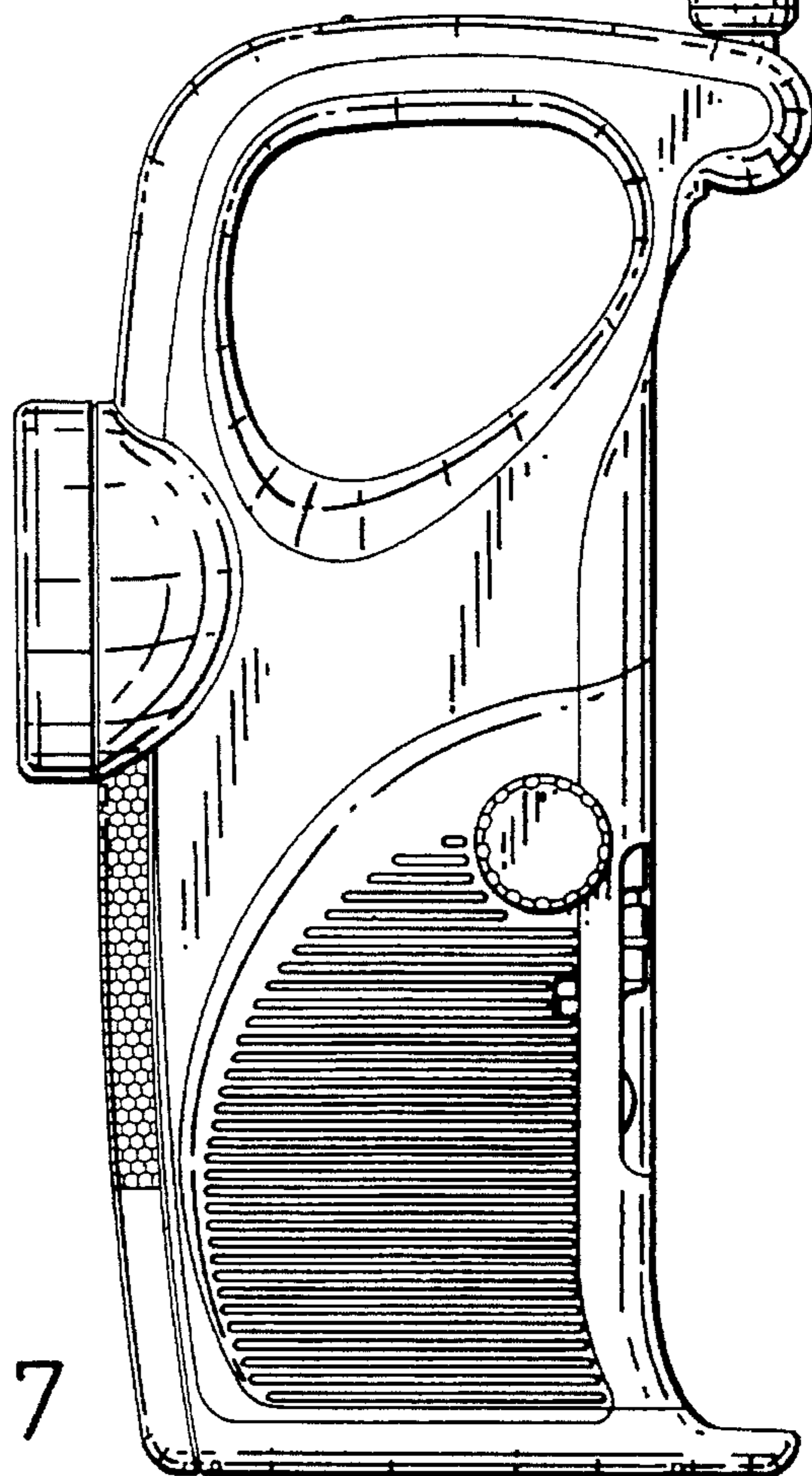


FIG. 7