



US00D377172S

United States Patent [19] Zeitman

[11] **Patent Number:** **Des. 377,172**
[45] **Date of Patent:** ****Jan. 7, 1997**

[54] **TELEPHONE SET**

[75] **Inventor:** **Josh Zeitman**, Brooklyn, N.Y.

[73] **Assignee:** **Lenoxx Electronics Corp.**, Brooklyn, N.Y.

[**] **Term:** **14 Years**

[21] **Appl. No.:** **53,497**

[22] **Filed:** **Apr. 24, 1996**

[52] **U.S. Cl.** **D14/150**

[58] **Field of Search** D14/137, 138,
D14/140, 142, 144-151, 147, 148, 240,
241; 379/419, 420, 428, 440, 433-436,
454, 455

[56] **References Cited**

U.S. PATENT DOCUMENTS

D. 276,808	12/1984	Fukutani	D14/138
D. 294,695	3/1988	Endt	D14/150
D. 294,826	3/1988	Yoshiharu	D14/150
D. 298,830	12/1988	Brignole et al.	D14/150
D. 299,026	12/1988	Iino	D14/148
D. 331,583	12/1992	Gallagher	D14/151
D. 342,731	12/1993	Wicks	D14/150
D. 348,459	7/1994	Yamagishi et al.	D14/150
D. 361,330	8/1995	Solomita et al.	D14/148 X

FOREIGN PATENT DOCUMENTS

1215958 12/1970 United Kingdom D14/142 X

OTHER PUBLICATIONS

Courreges Catalog, 1985, Telephone at Center Left, Item I]-B.

B. A. Pargh Summer/Spring 1985 Catalog, p. 248, Mura Telephone at Top Right.

B. A. Pargh Summer/Spring 1985 Catalog, p. 234, Phone-Mate Telephone at Bottom Left.

Primary Examiner—Jeffrey Asch

Attorney, Agent, or Firm—Burns, Doane, Swecker & Mathis

[57] **CLAIM**

The ornamental design for “a telephone set”, as shown and described.

DESCRIPTION

FIG. 1 is a perspective view of “a telephone set” showing my design;

FIG. 2 is a front view thereof;

FIG. 3 is a rear view thereof;

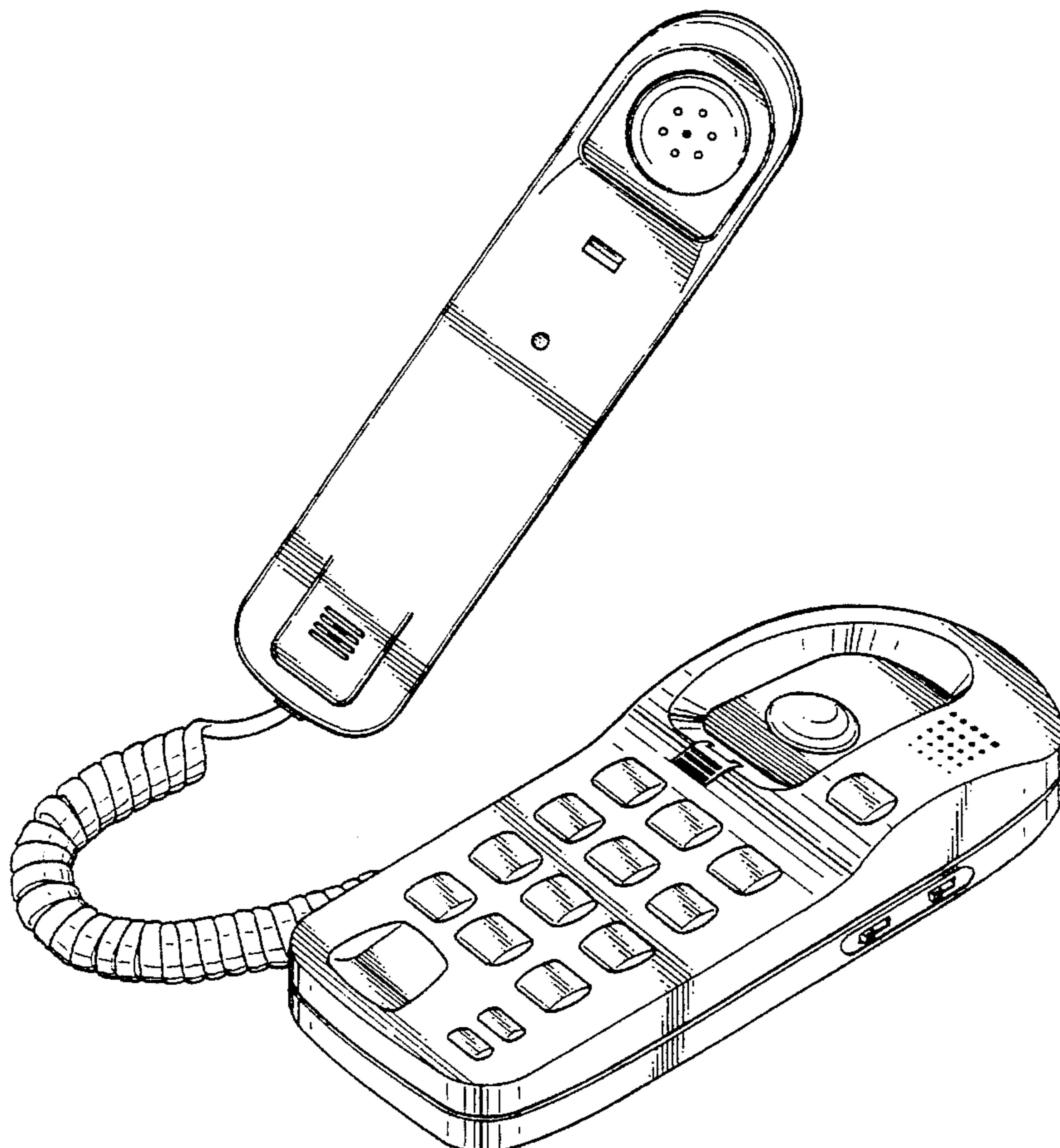
FIG. 4 is a left side elevational view thereof;

FIG. 5 is a right side elevational view thereof;

FIG. 6 is a top plan view thereof; and,

FIG. 7 is a bottom plan view thereof.

1 Claim, 5 Drawing Sheets



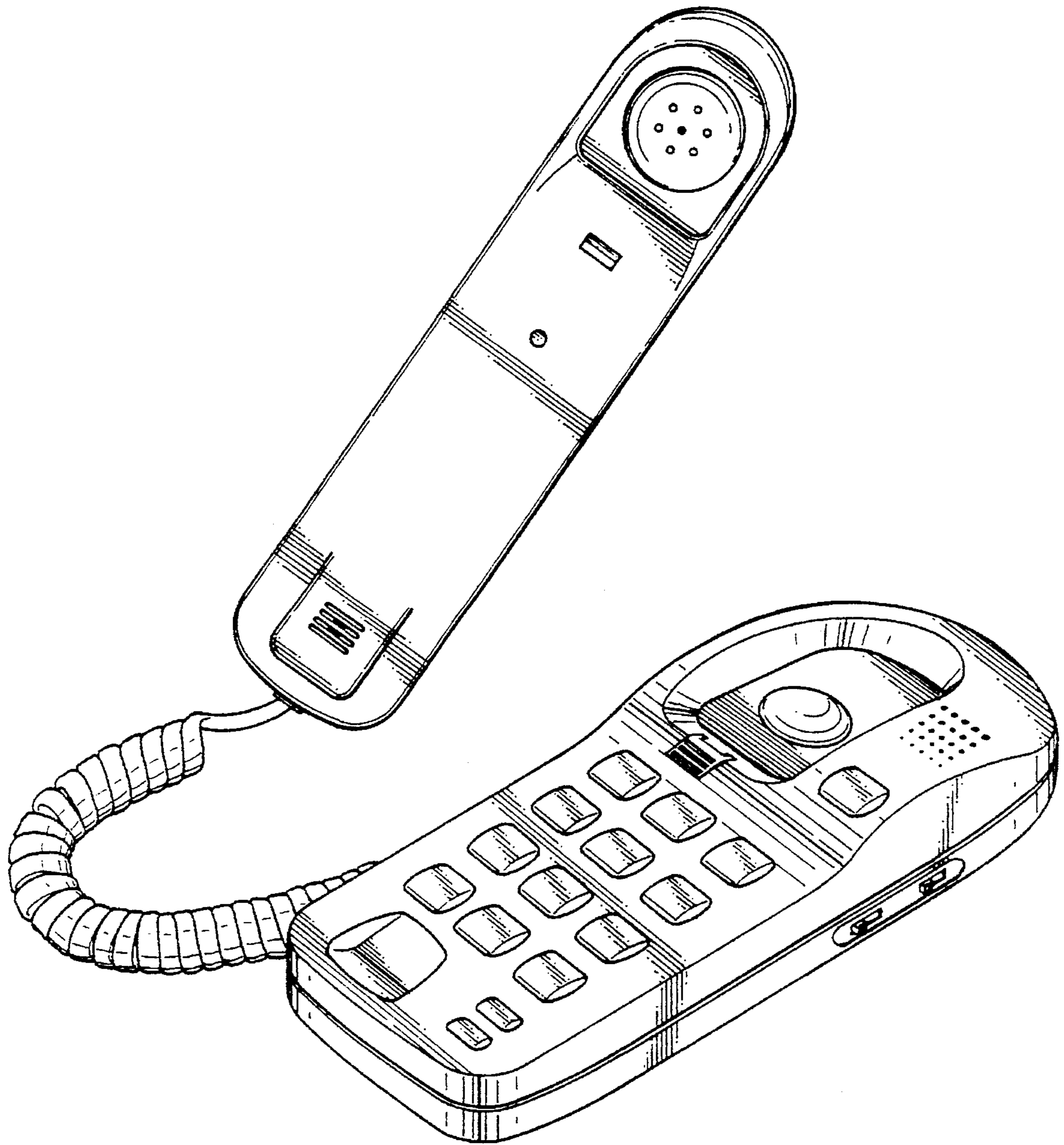


FIG. 1

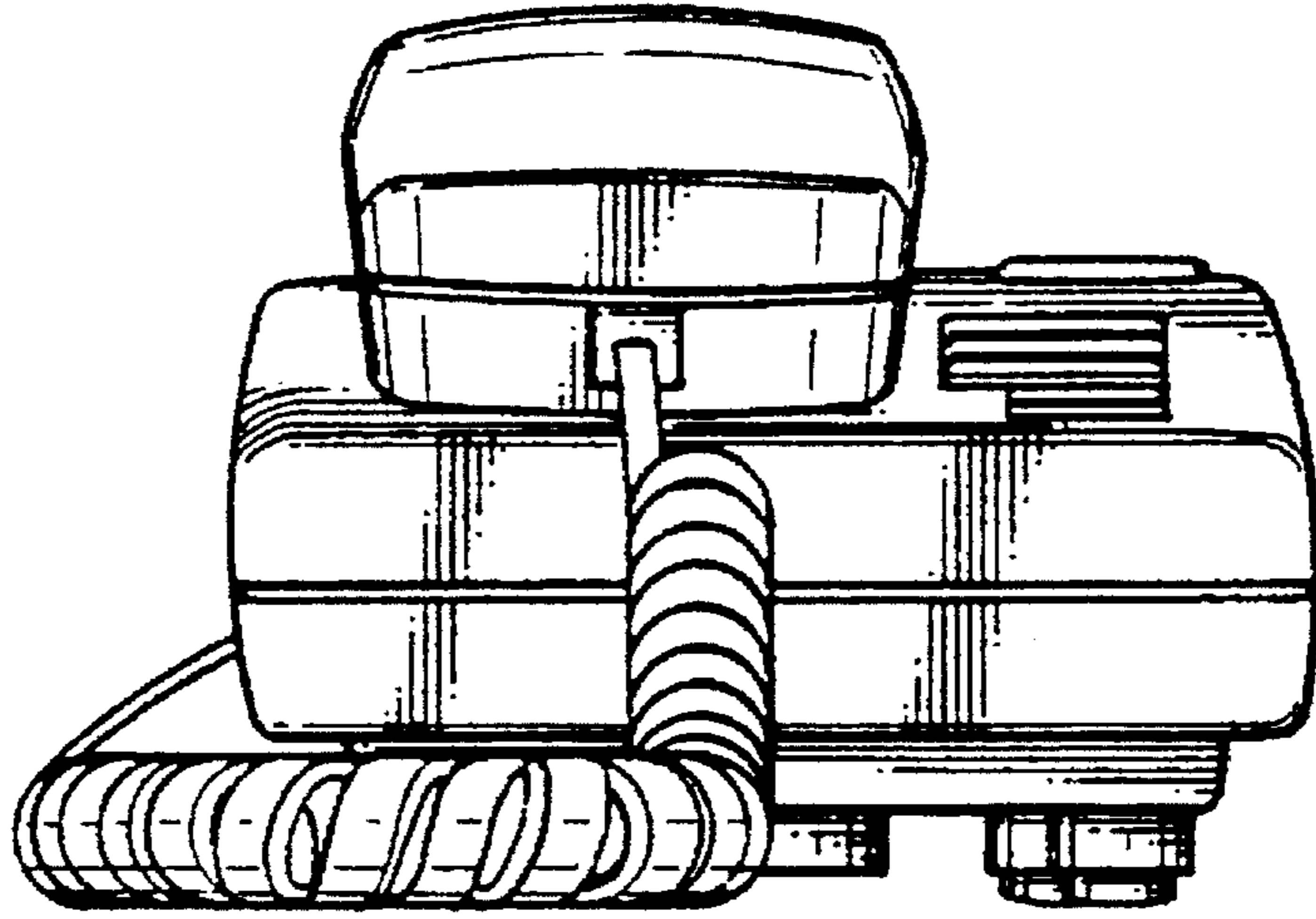


FIG. 2

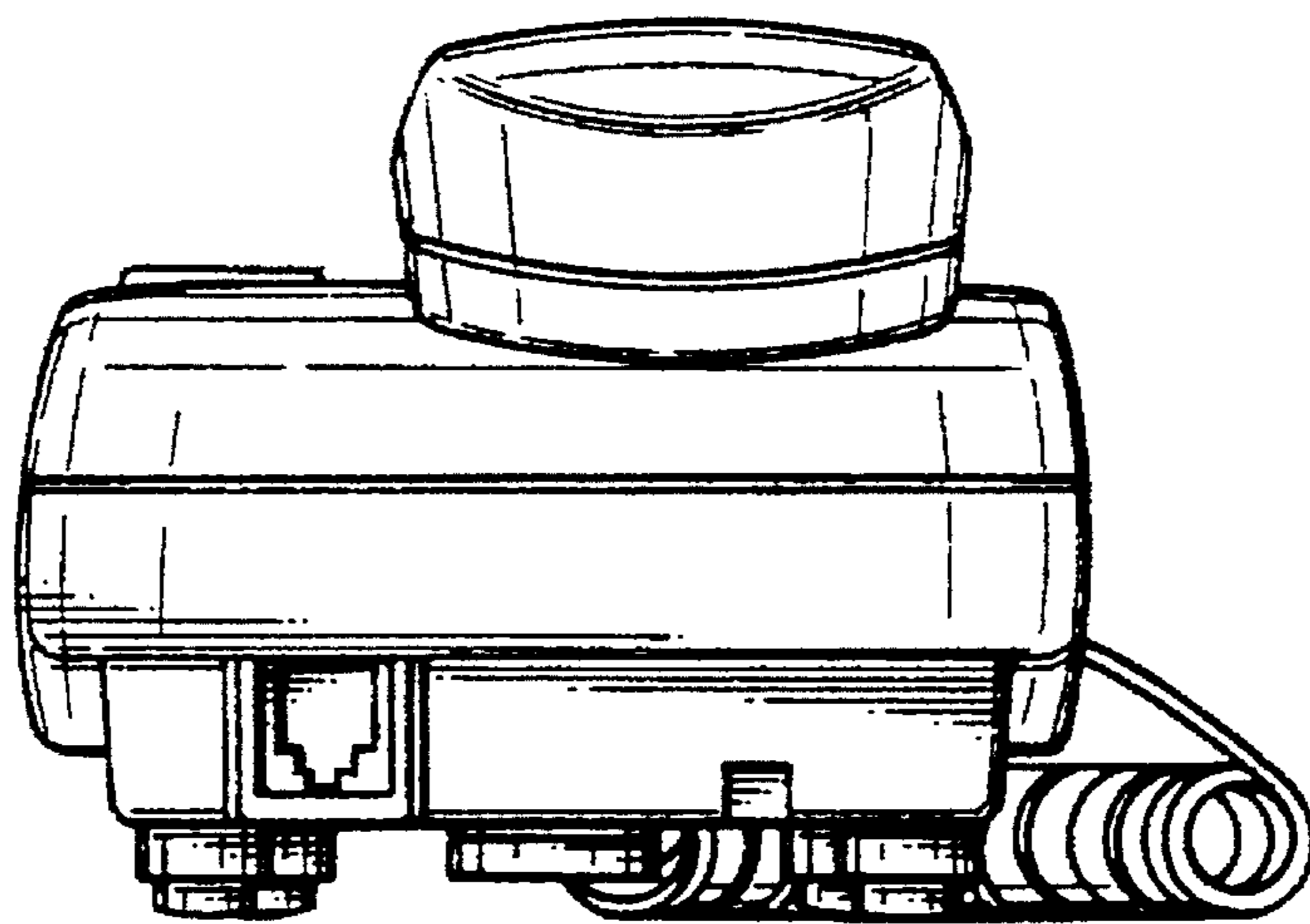


FIG. 3

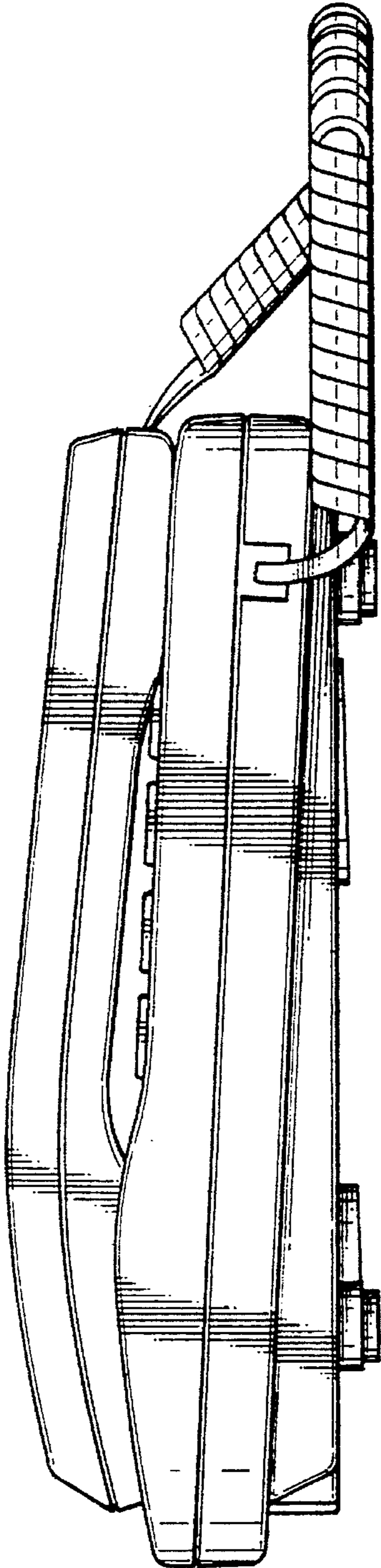


FIG. 4

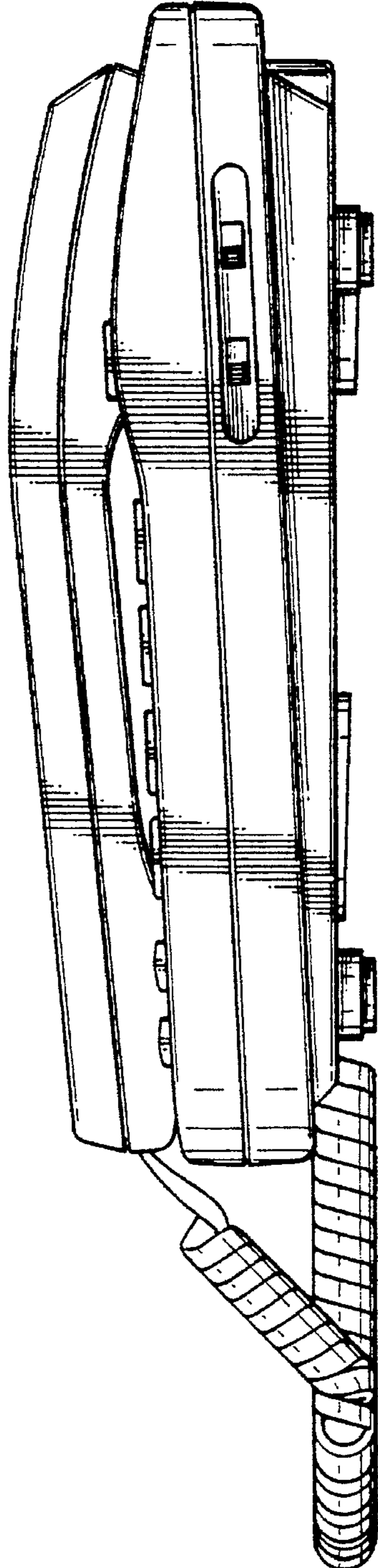


FIG. 5

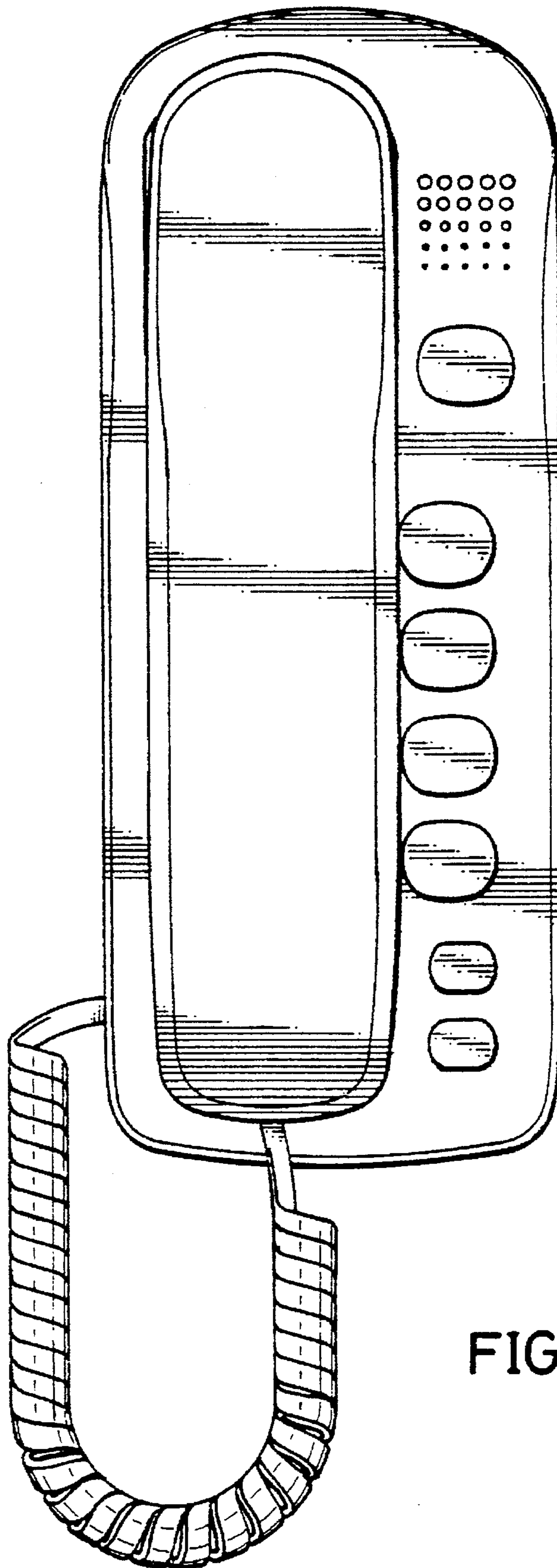


FIG. 6

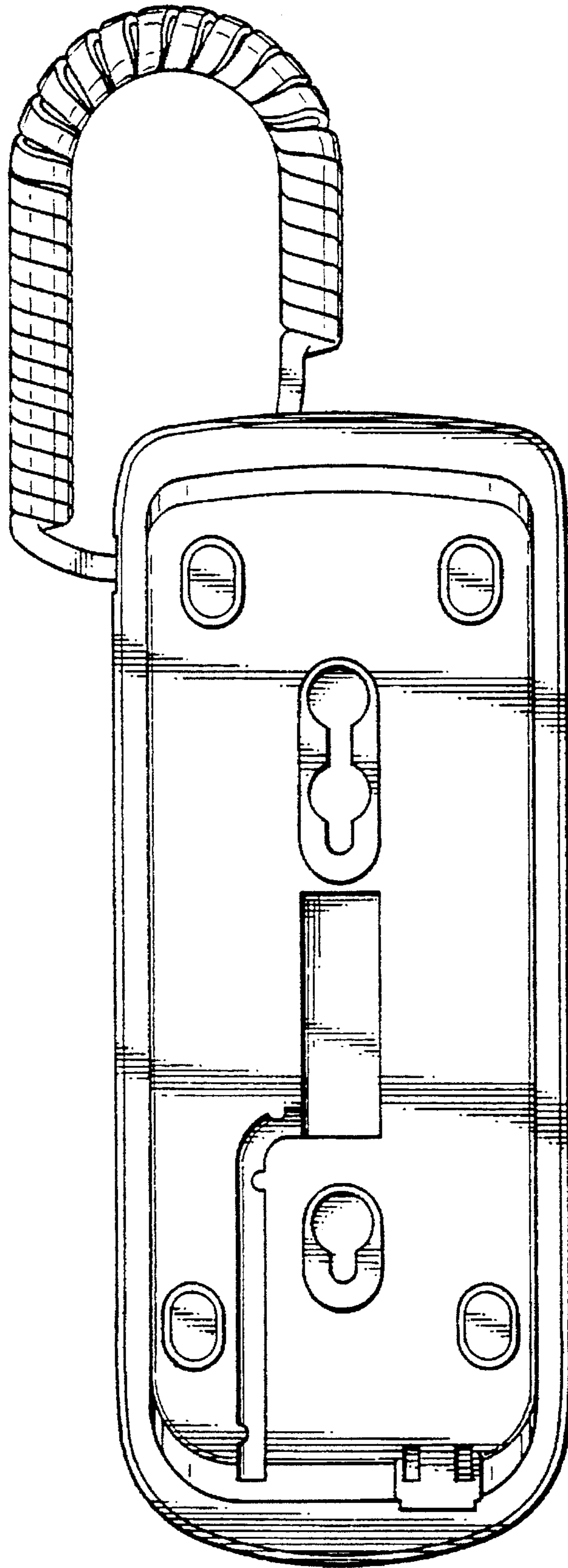


FIG. 7