



US00D377170S

United States Patent [19]

Wilson

[11] Patent Number: **Des. 377,170**

[45] Date of Patent: ****Jan. 7, 1997**

[54] **PUBLIC INTERACTIVE KIOSK**

[75] Inventor: **Donald Wilson**, Toronto, Canada

[73] Assignee: **King Products Inc.**, Mississauga, Canada

[**] Term: **14 Years**

D. 324,701 3/1992 Capps D20/10 X
 D. 331,055 11/1992 Massey et al. D14/146
 D. 348,263 6/1994 Veeneman D99/28 X
 D. 385,306 8/1986 Joffe et al. D14/240 X
 4,434,359 2/1984 Watanabe 235/379
 4,818,854 4/1989 Davies et al. 235/381

Primary Examiner—Jeffrey Asch
Attorney, Agent, or Firm—Sim & McBurney

[21] Appl. No.: **37,919**

[22] Filed: **Apr. 24, 1995**

[52] U.S. Cl. **D14/130; D20/10; D99/28**

[58] Field of Search D14/140, 240,
 D14/130, 149, 146; D99/28; D6/421, 481;
 D20/1, 10; 235/379, 381; 379/143, 155;
 52/28; 312/216; D25/16; 40/584, 585

[57] CLAIM

The ornamental design for a public interactive kiosk, as shown and described.

DESCRIPTION

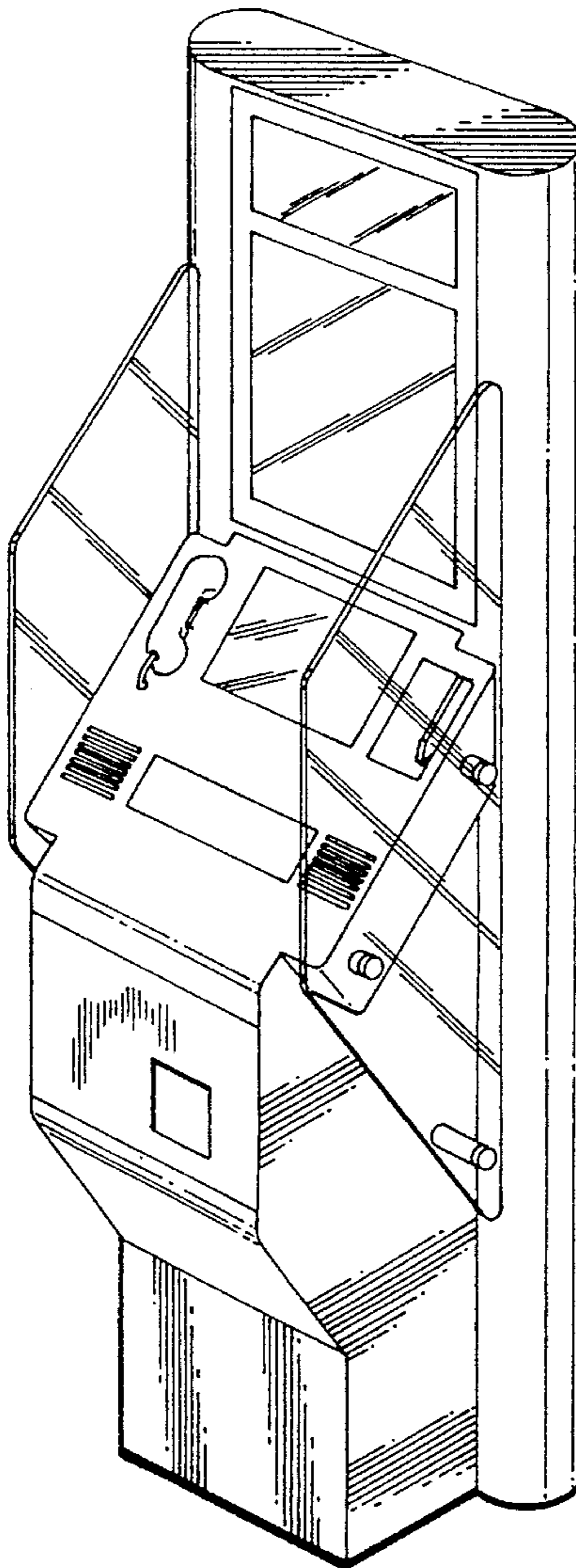
FIG. 1 is a right, front and top perspective view of my design for a public interactive kiosk;
 FIG. 2 is a right elevation view of the design in FIG. 1, the left elevation view being a mirror image;
 FIG. 3 is a front elevation view of the design in FIG. 1;
 FIG. 4 is a rear elevation view of the design in FIG. 1; and,
 FIG. 5 is a top plan view of the design in FIG. 1.

[56] **References Cited**

U.S. PATENT DOCUMENTS

D. 303,439 9/1989 Savio et al. D99/28
 D. 307,081 4/1990 Allen D6/421
 D. 321,723 11/1991 Lack D20/1

1 Claim, 2 Drawing Sheets



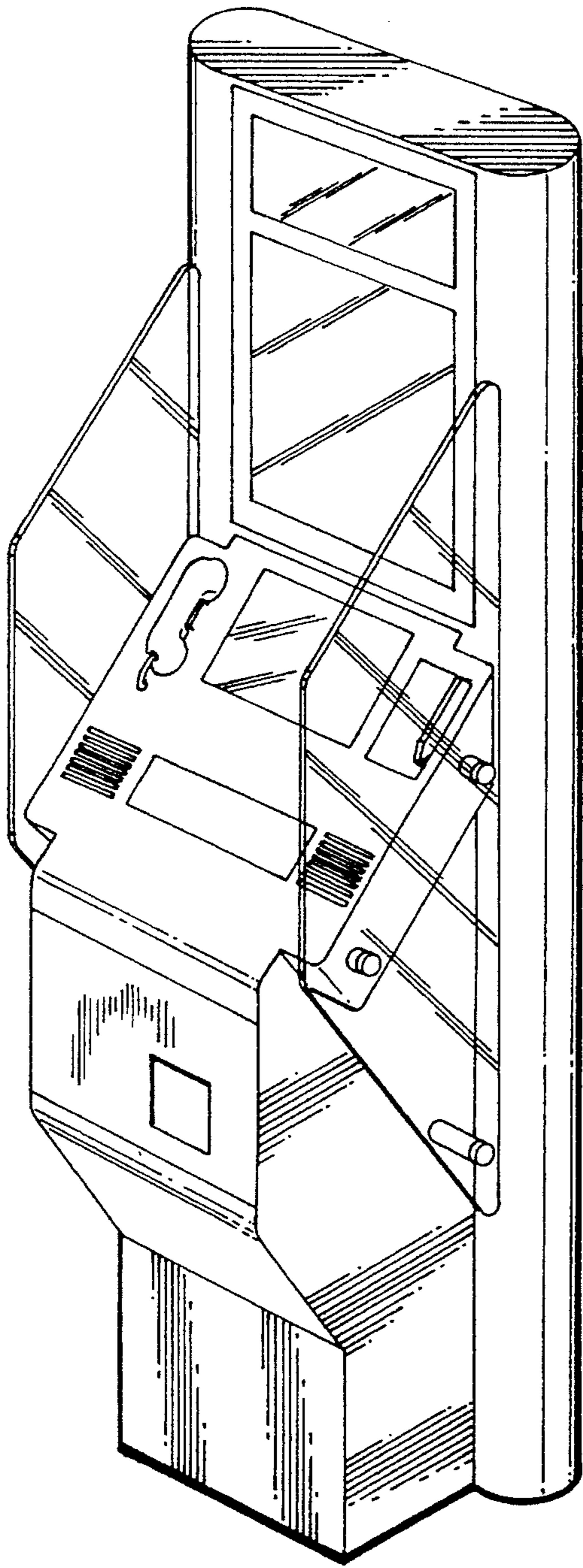


FIG. 1.

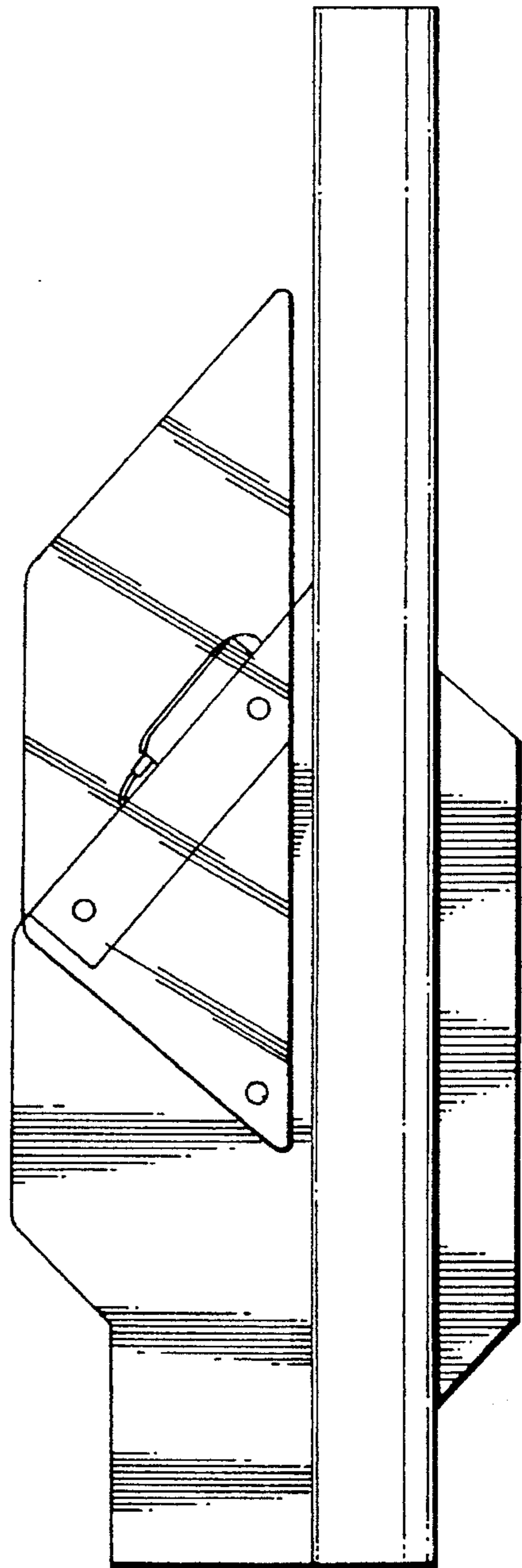


FIG. 2.

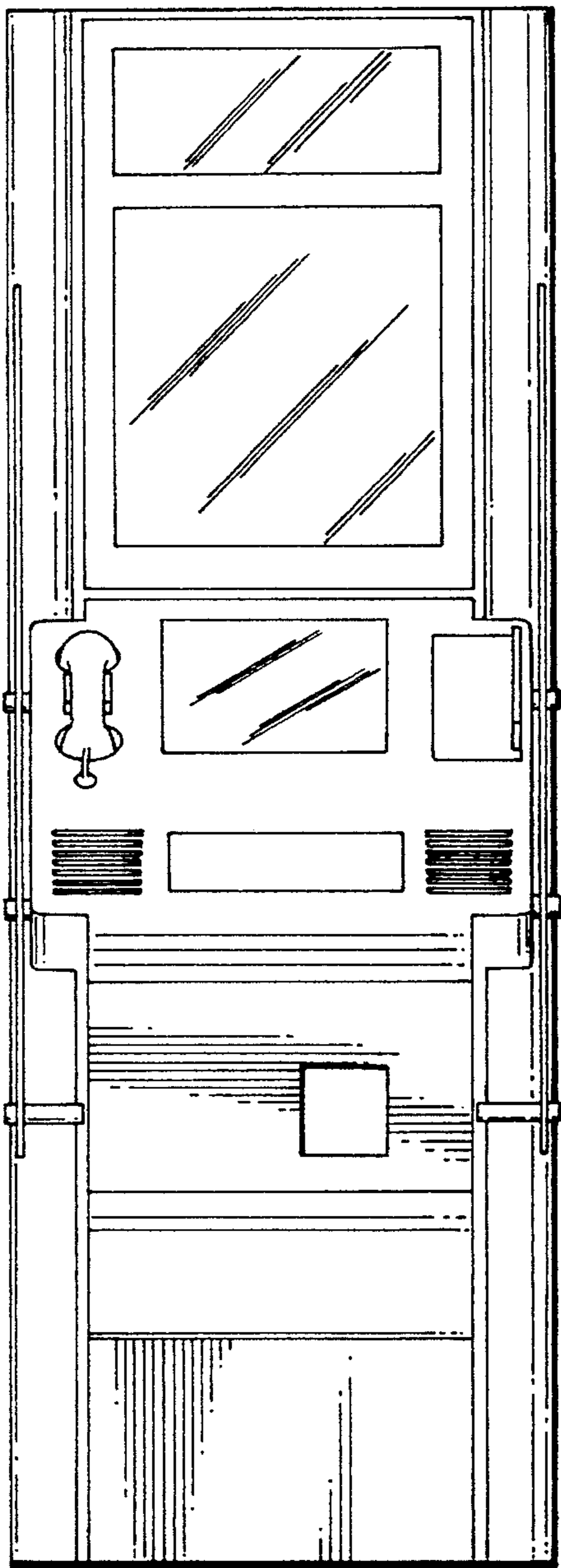


FIG. 3.

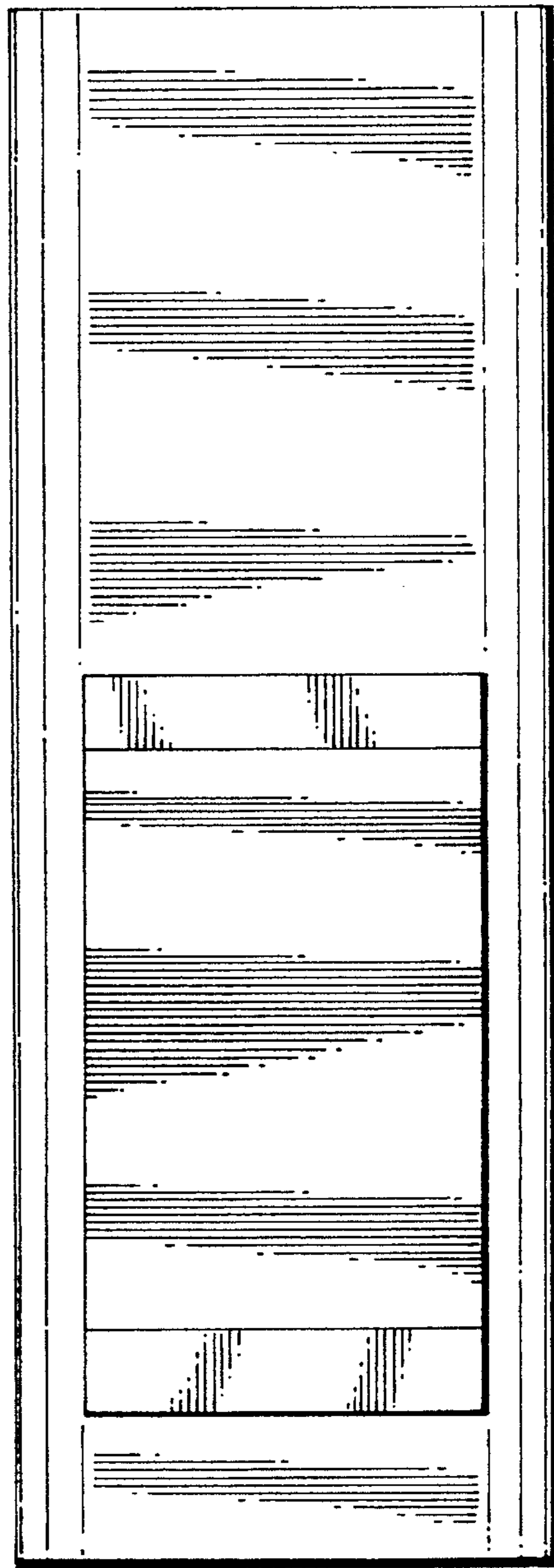


FIG. 4.

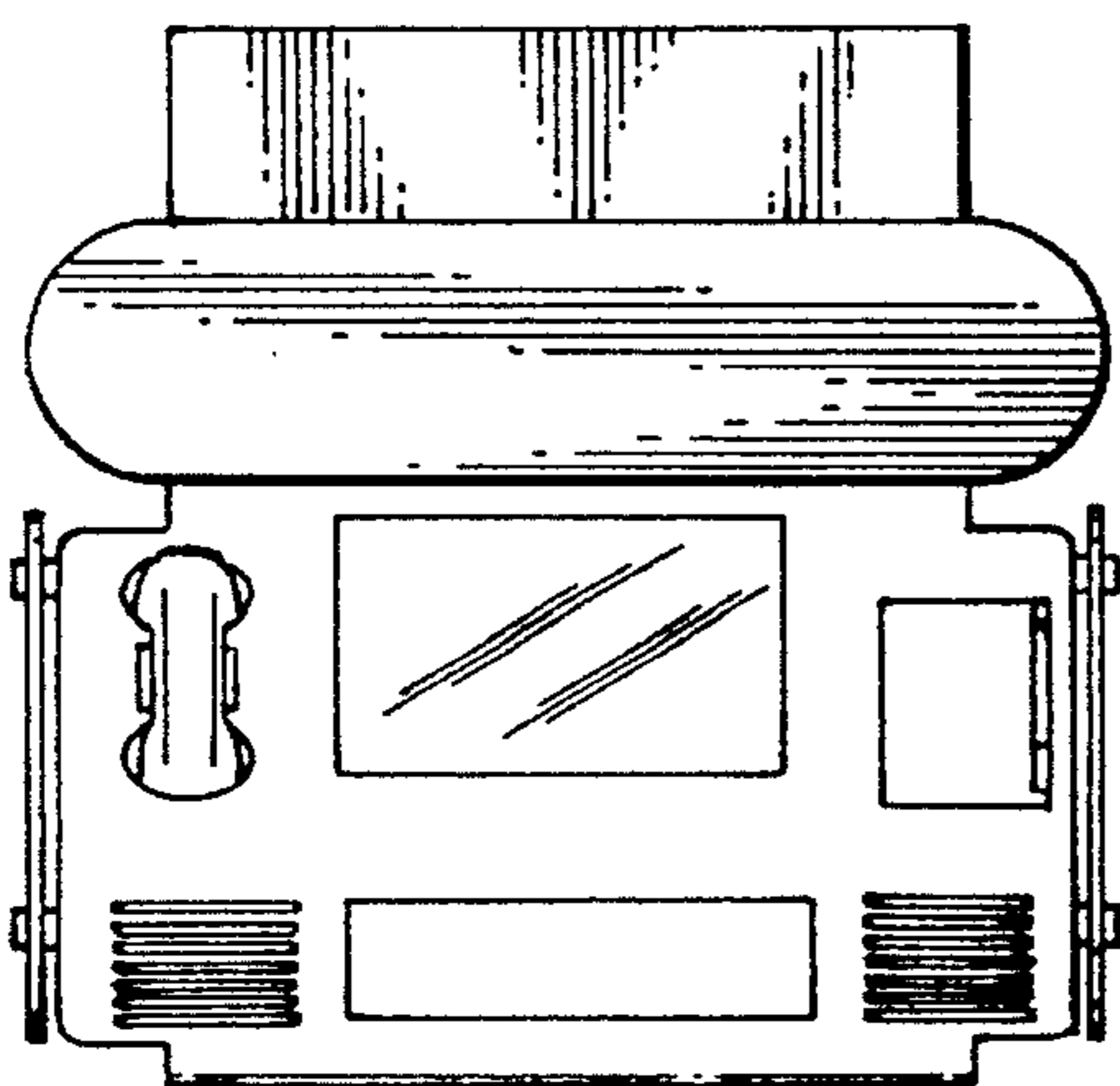


FIG. 5.