



US00D377168S

United States Patent [19]

Chen et al.

[11] Patent Number: **Des. 377,168**

[45] Date of Patent: ****Jan. 7, 1997**

[54] **VISUAL IMAGE SCANNER**

[75] Inventors: **Tony Chen; Thomas Chang**, both of Hsinchu, Taiwan

[73] Assignee: **Umax Data Systems Inc.**, Hsinchu, Taiwan

[**] Term: **14 Years**

[21] Appl. No.: **43,947**

[22] Filed: **Sep. 14, 1995**

[52] U.S. Cl. **D14/107**

[58] Field of Search D14/100, 105, D14/107, 116, 118; D18/36, 37, 39, 49, 50; 250/556, 563; 235/454, 462; D16/233, 236; 348/373-376; 358/408, 472, 474, 497; 355/64, 65, 75, 231, 233

[56] **References Cited**

U.S. PATENT DOCUMENTS

- D. 284,475 7/1986 Manabe D14/107
- D. 308,667 6/1990 Makidera D14/105

- D. 357,907 5/1995 Kosako et al. D14/107
- D. 365,807 1/1996 Chen D14/107
- D. 368,257 3/1996 Chen et al. D14/107

Primary Examiner—Freda Nunn
Attorney, Agent, or Firm—Ezra Sutton

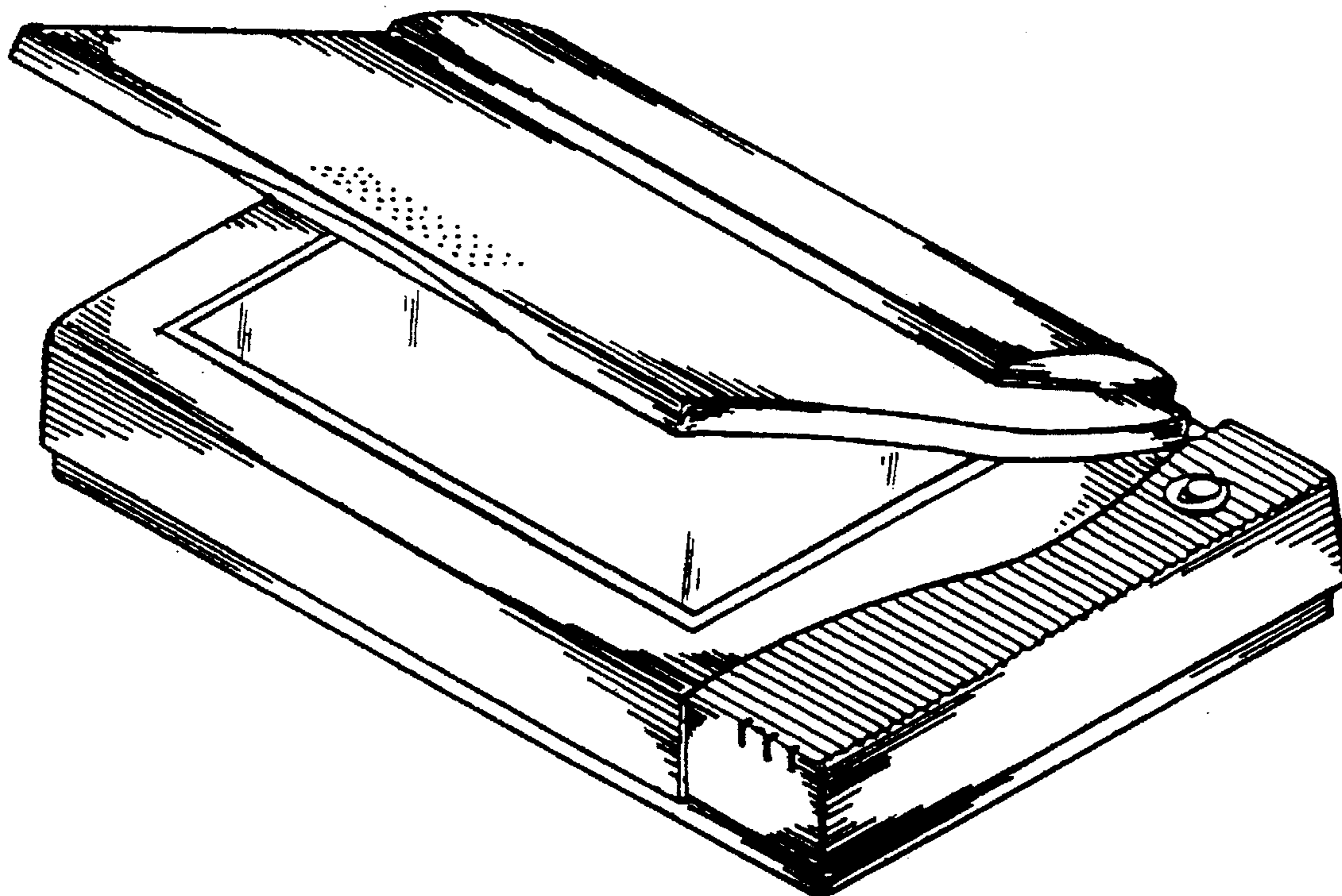
[57] **CLAIM**

The ornamental design for a visual image scanner, as shown and described.

DESCRIPTION

FIG. 1 is a top view of a visual image scanner showing our new design;
 FIG. 2 is a bottom view;
 FIG. 3 is a front elevational view;
 FIG. 4 is a rear elevational view;
 FIG. 5 is a lefthand side elevational view;
 FIG. 6 is a righthand side elevational view;
 FIG. 7 is a perspective view;
 FIG. 8 is a perspective view with the lid pivotally raised; and,
 FIG. 9 is an exploded perspective view.

1 Claim, 9 Drawing Sheets



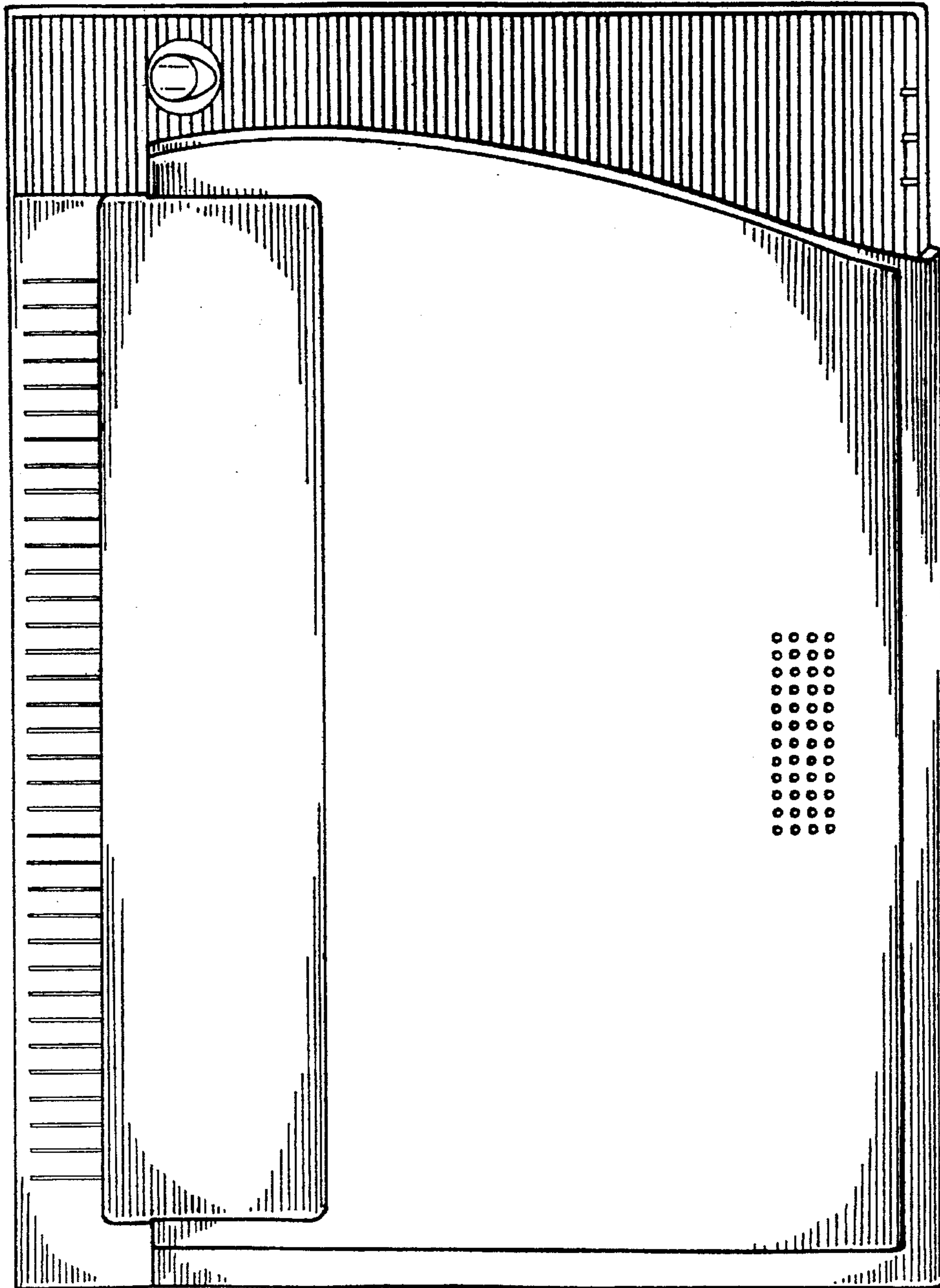


FIG.1

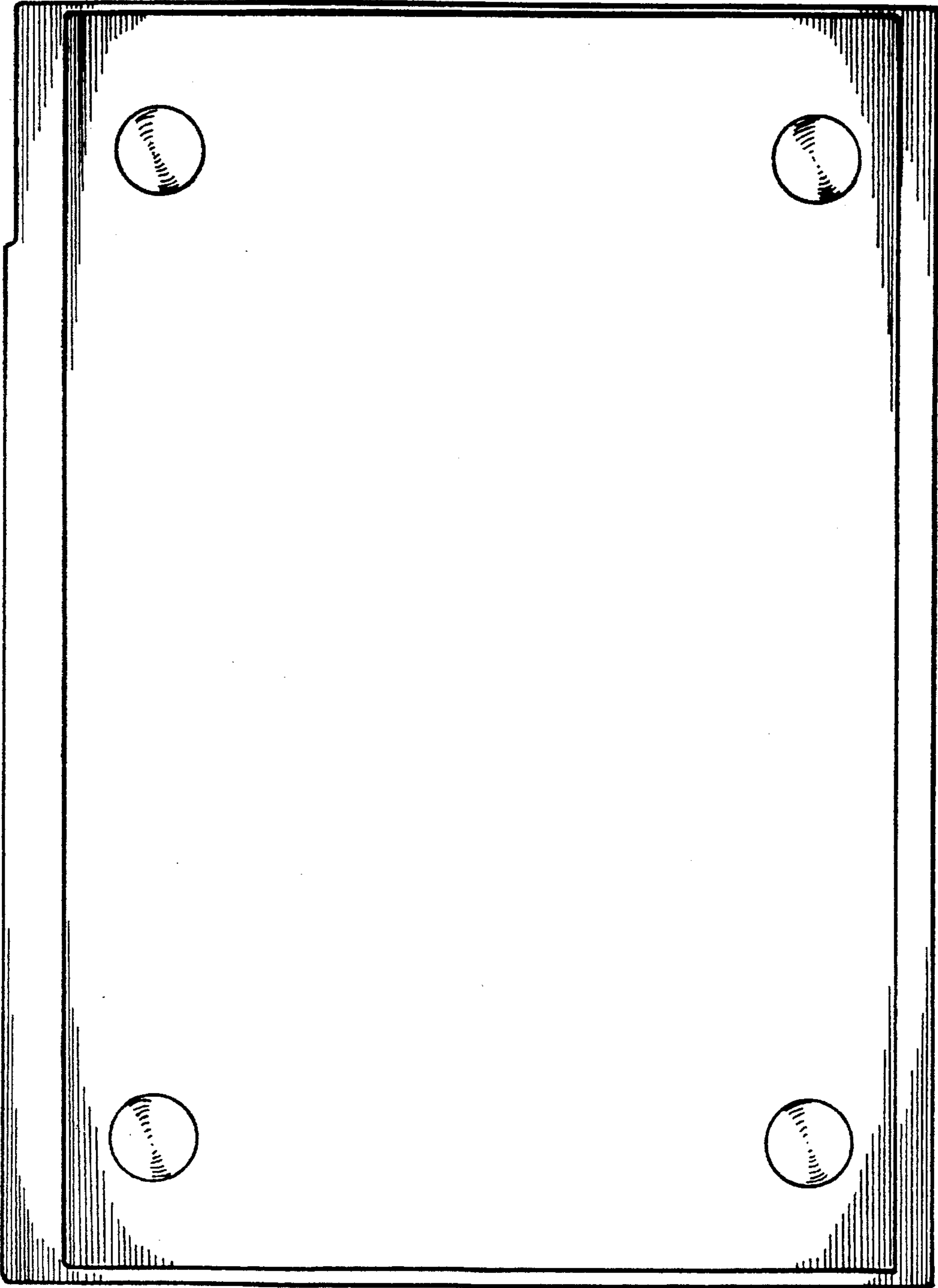


FIG.2

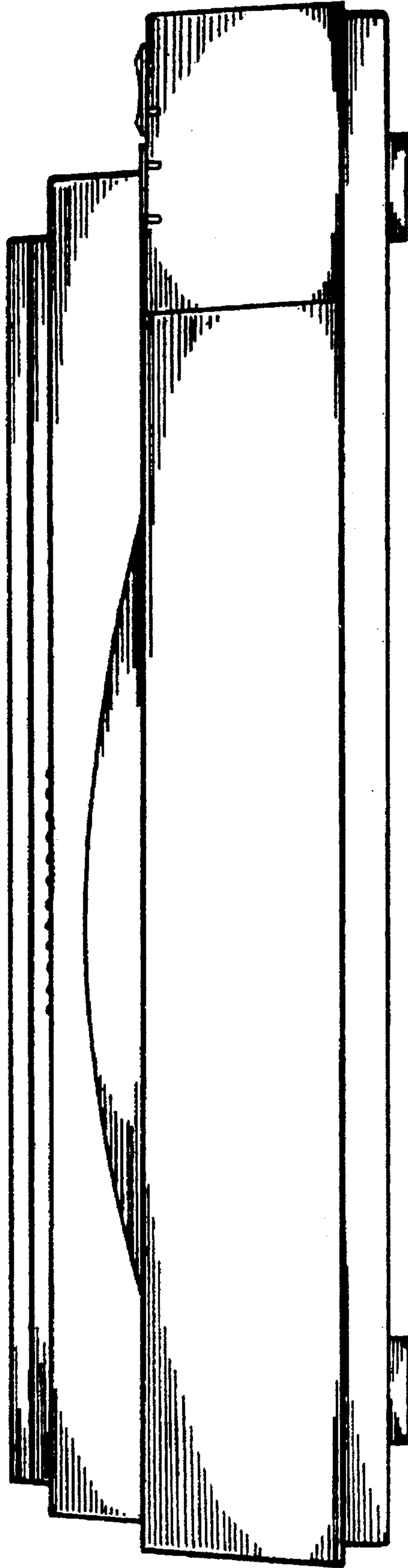


FIG.3

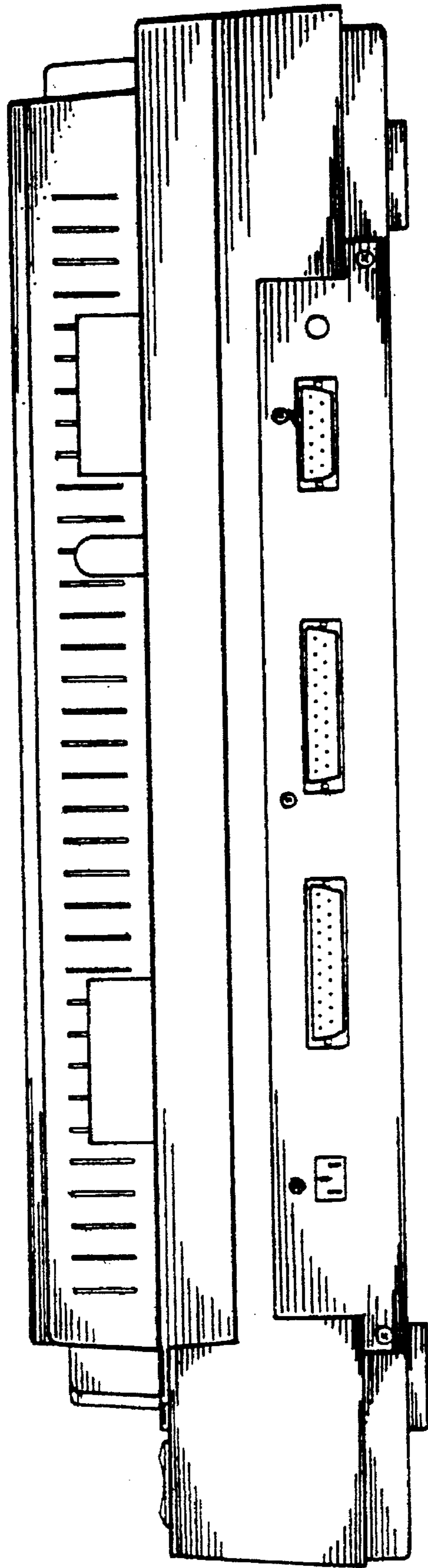


FIG.4

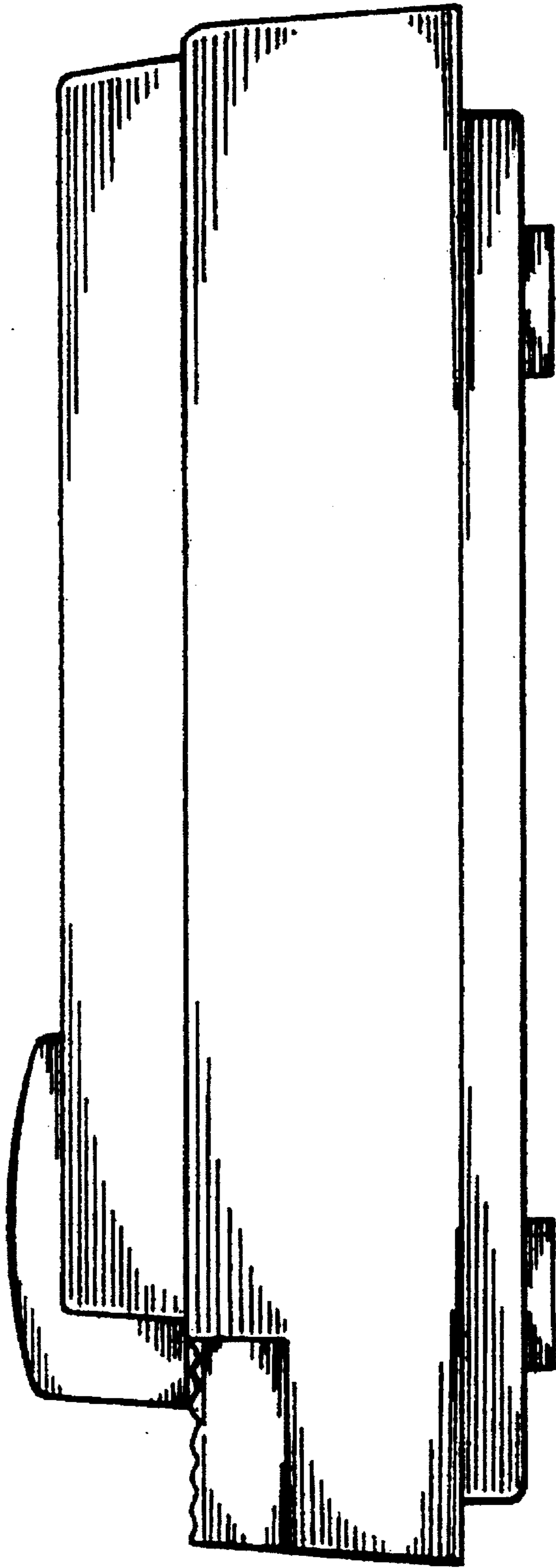


FIG.5

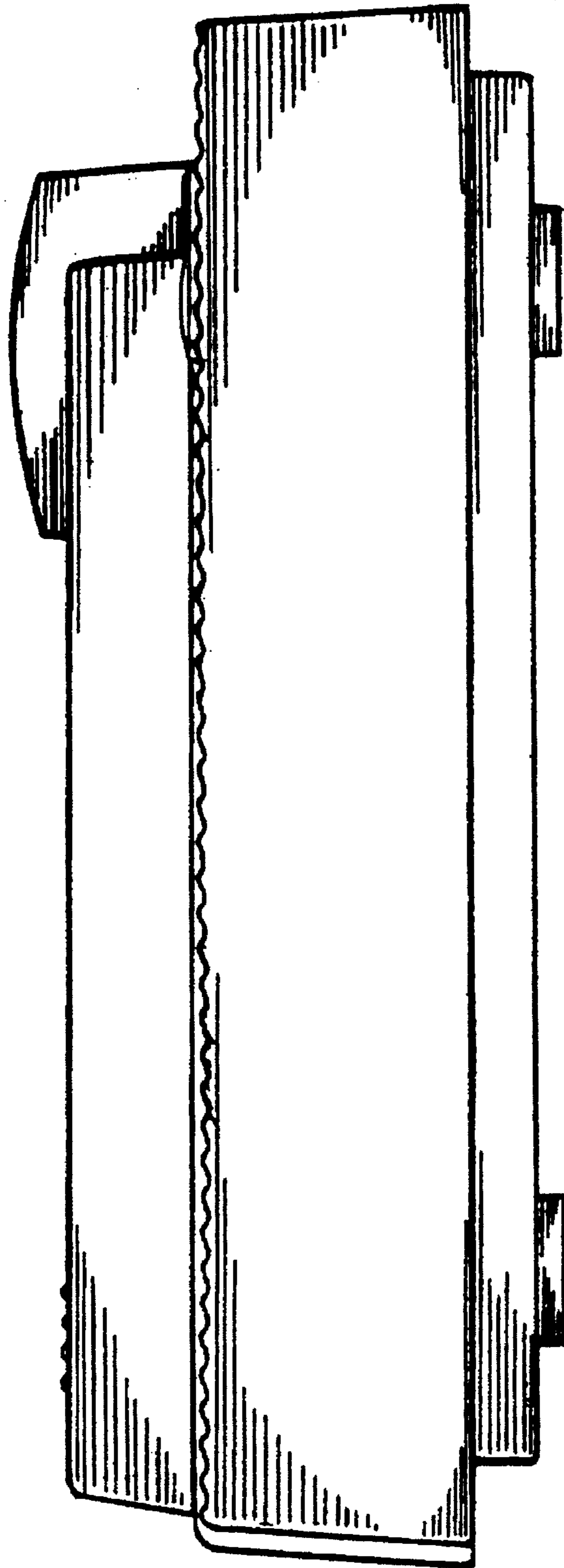


FIG. 6

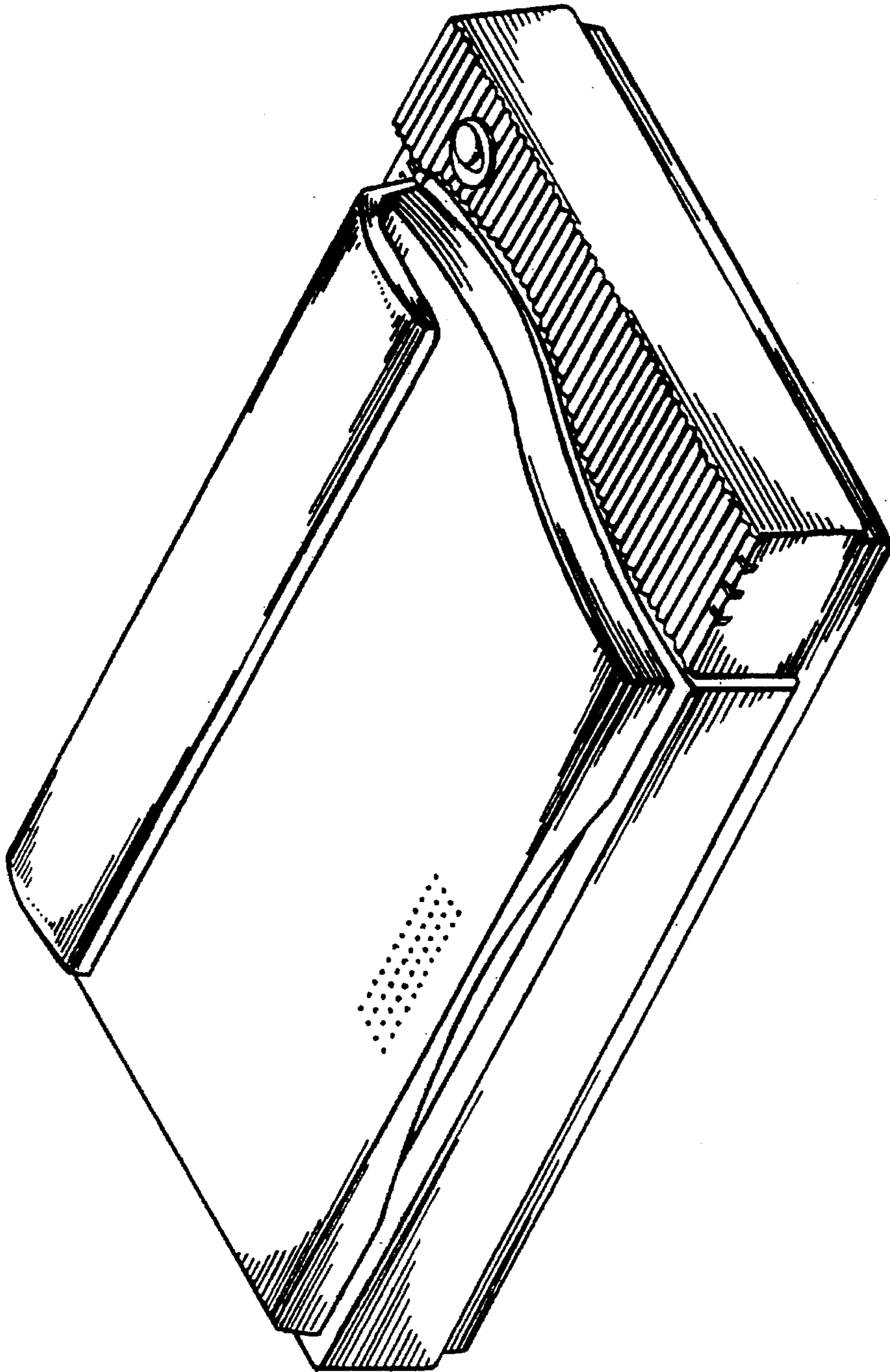


FIG.7

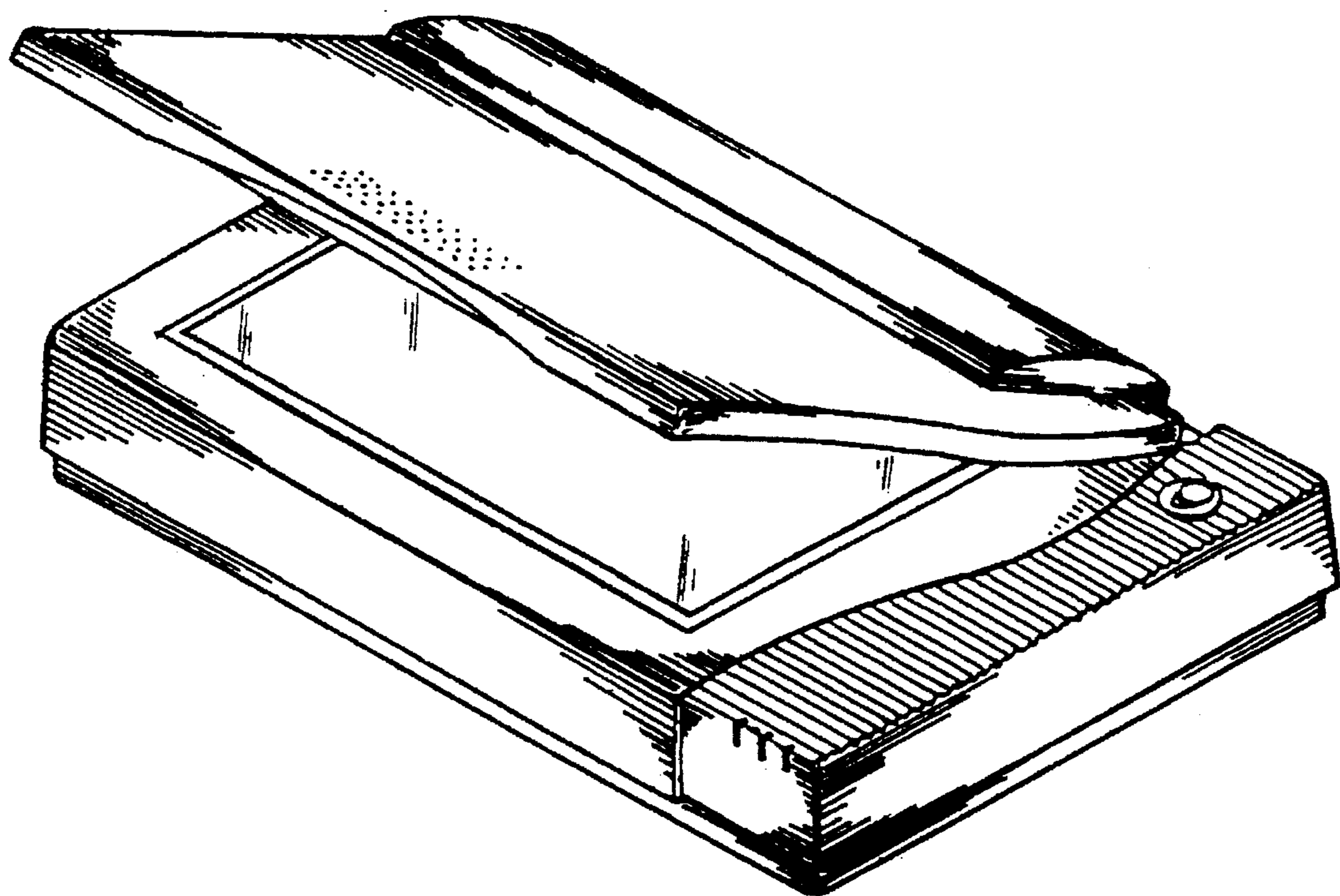


FIG.8

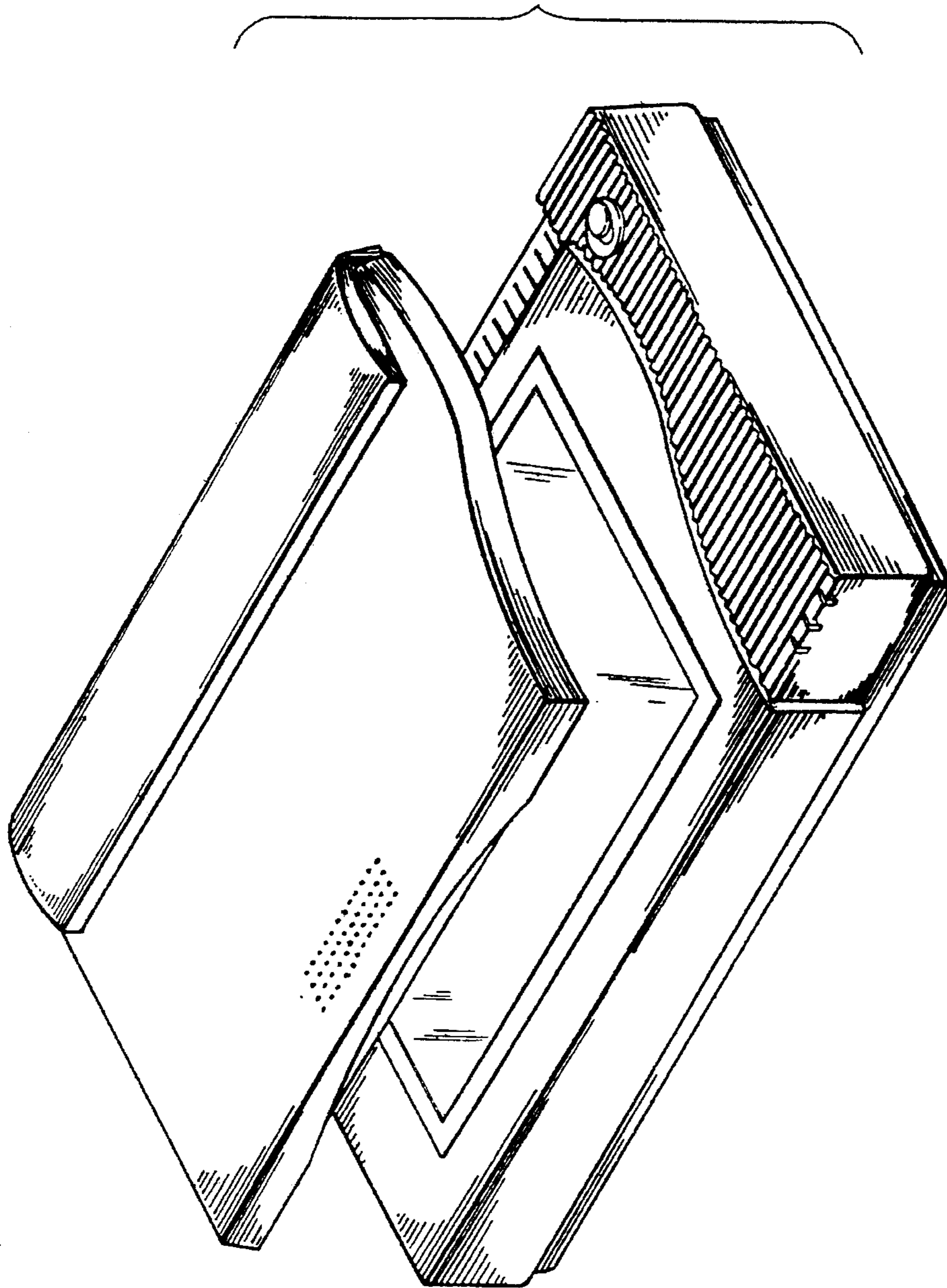


FIG. 9