



US00D377164S

United States Patent [19]

McPeek et al.

[11] Patent Number: **Des. 377,164**

[45] Date of Patent: ****Jan. 7, 1997**

[54] **DOUBLE UTILITY DRAWER SHELF**

[76] Inventors: **Joseph R. McPeek**, 508 Manor Cir.,
Columbiana, Ohio 44408; **John J. LaBuda**, 1462 Vienna Rd., Niles, Ohio
44446

[**] Term: **14 Years**

[21] Appl. No.: **38,354**

[22] Filed: **May 4, 1995**

[52] U.S. Cl. **D12/426**

[58] Field of Search D12/426, 416;
D20/43, 44; D6/552, 567, 574; 224/275,
42.42, 42.43; 296/37.1, 37.6, 37.16

[56] **References Cited**

U.S. PATENT DOCUMENTS

D. 166,957 6/1952 Ershler D12/426

D. 249,671	9/1978	Vander Wahl	D12/416
D. 249,672	9/1978	Vander Wahl	D12/416
D. 315,542	12/1990	Ohlson	D6/553
D. 352,313	4/1992	Evenson	D6/553
3,264,894	6/1982	Halder	D12/426
5,083,828	1/1992	Auettura	296/37.6

Primary Examiner—Melody N. Brown

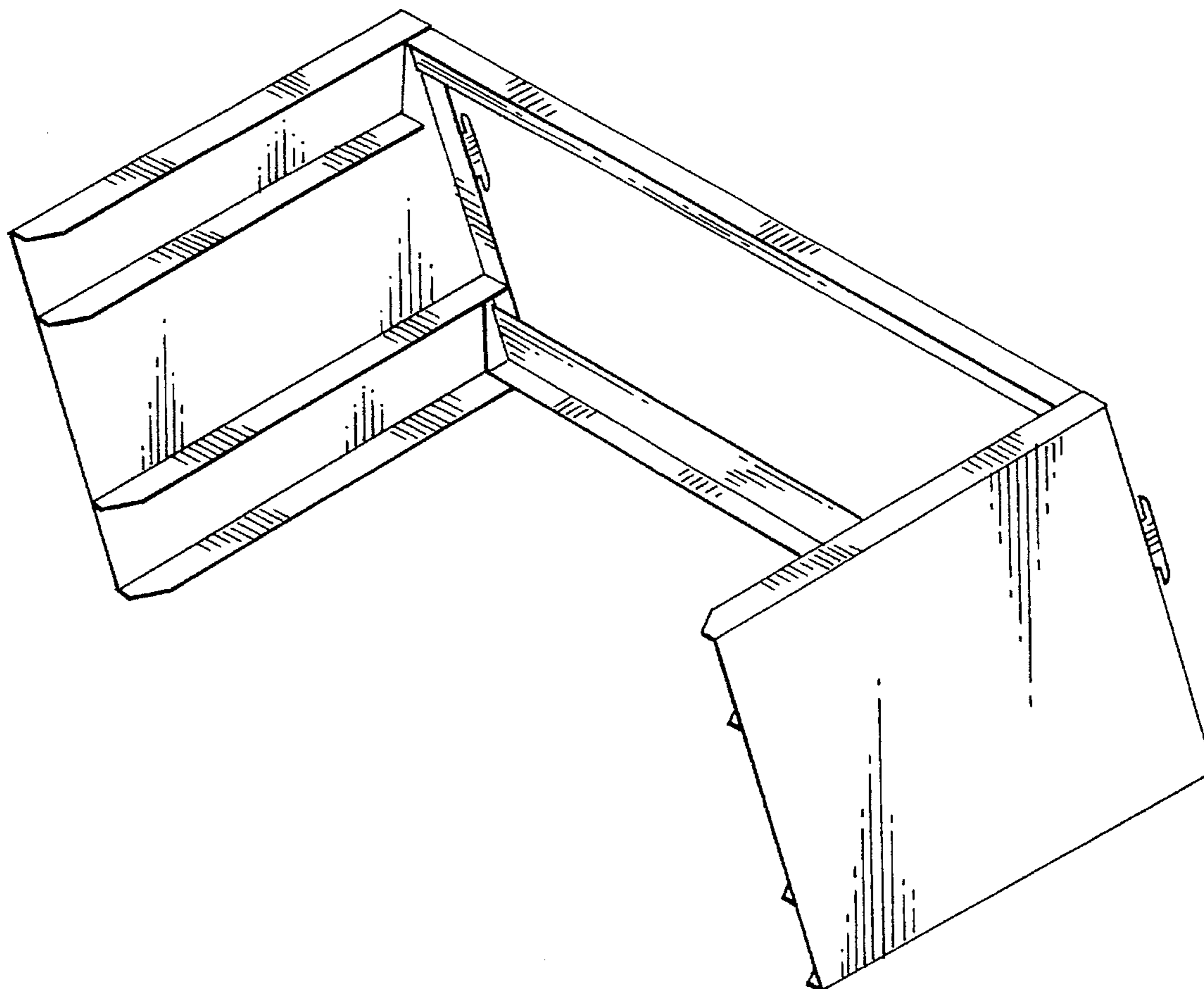
[57] **CLAIM**

The ornamental design for a double utility drawer shelf, as shown.

DESCRIPTION

FIG. 1 is a perspective view of a double utility drawer shelf; FIG. 2 is a bottom view of a double utility drawer shelf; FIG. 3 is a front view of double utility drawer shelf; FIG. 4 is a side view of a double utility drawer shelf; and, FIG. 5 is a top view of a double utility drawer shelf.

1 Claim, 3 Drawing Sheets



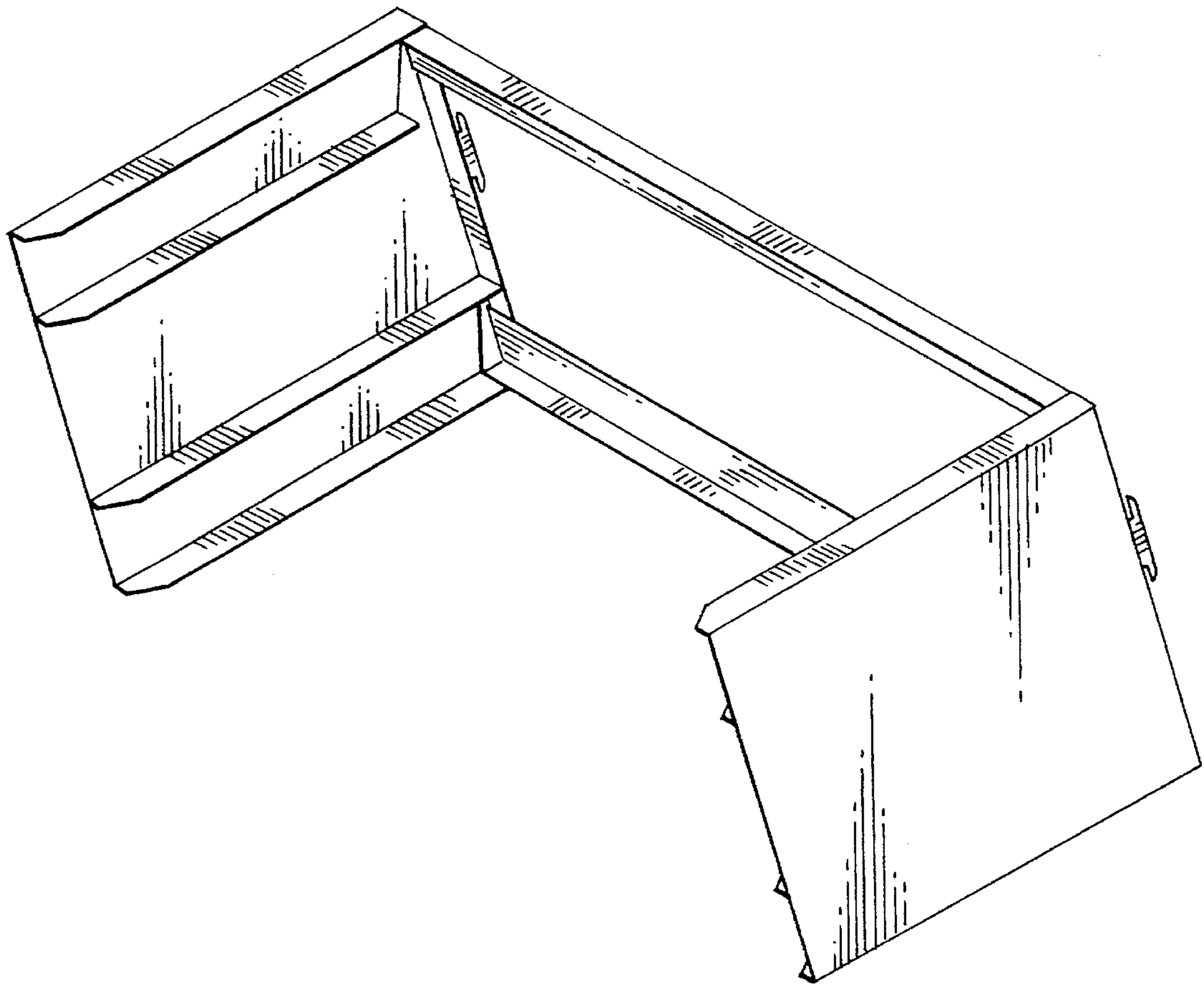


FIG. 1

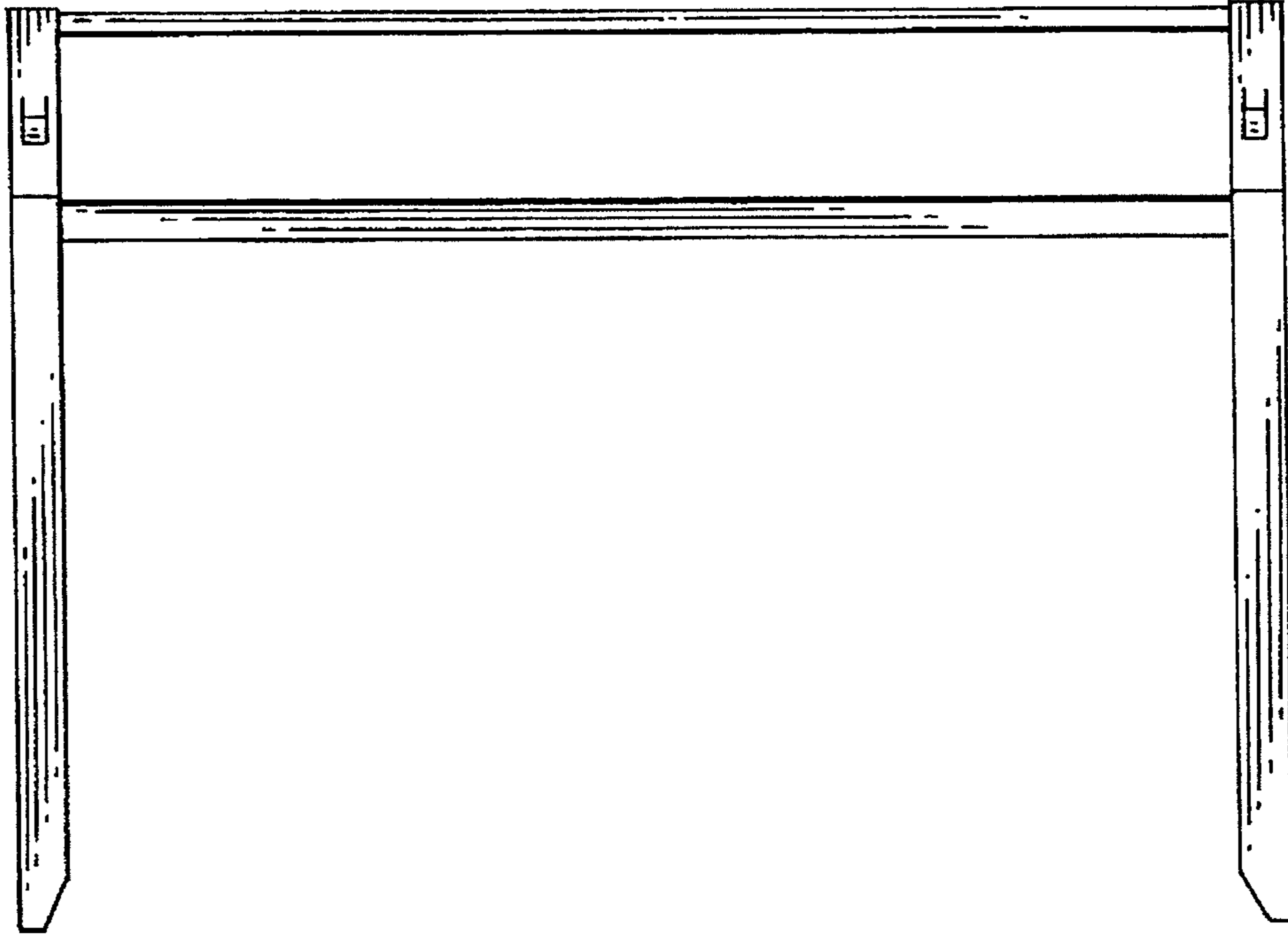


FIG. 2

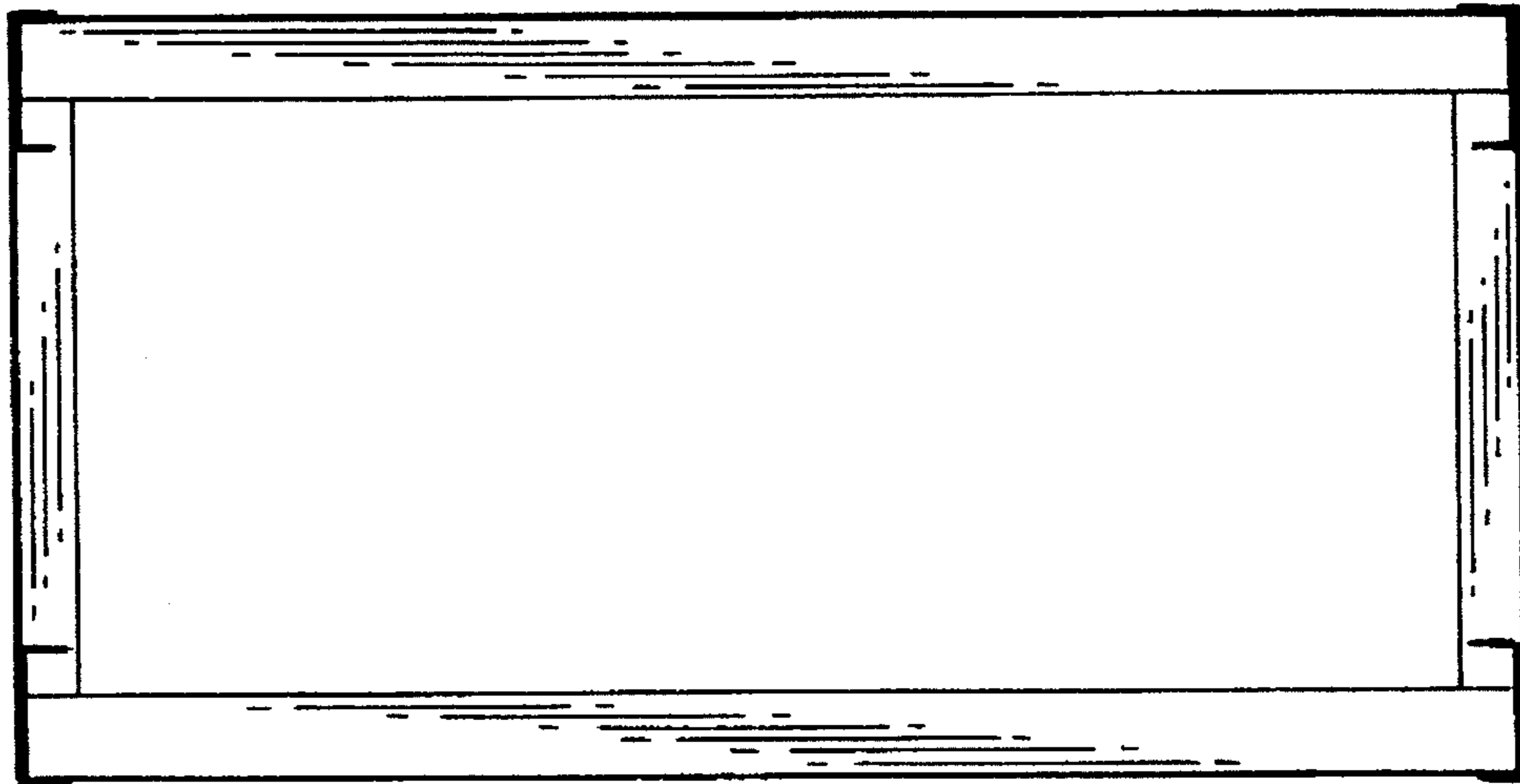


FIG. 3

FIG. 4

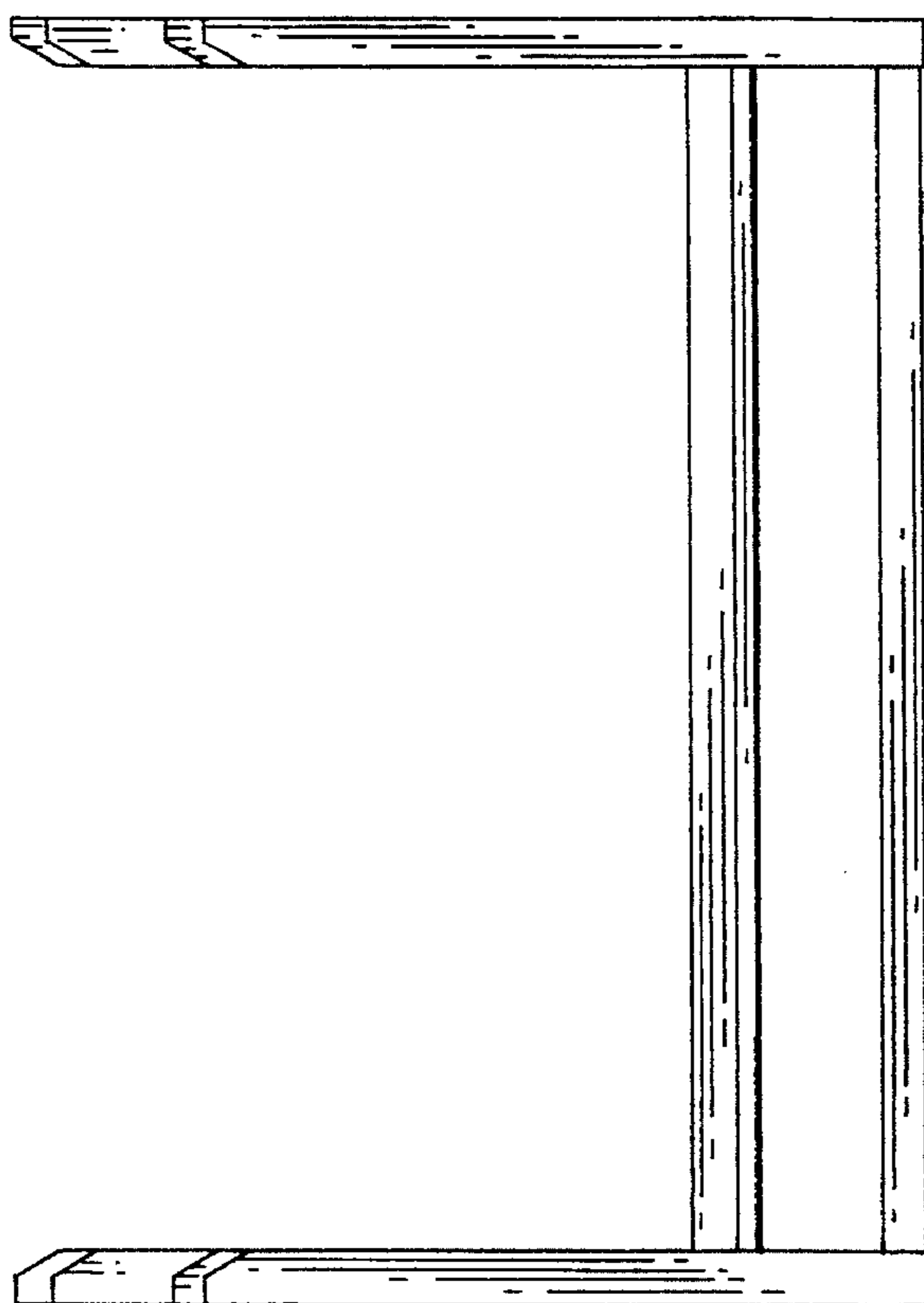
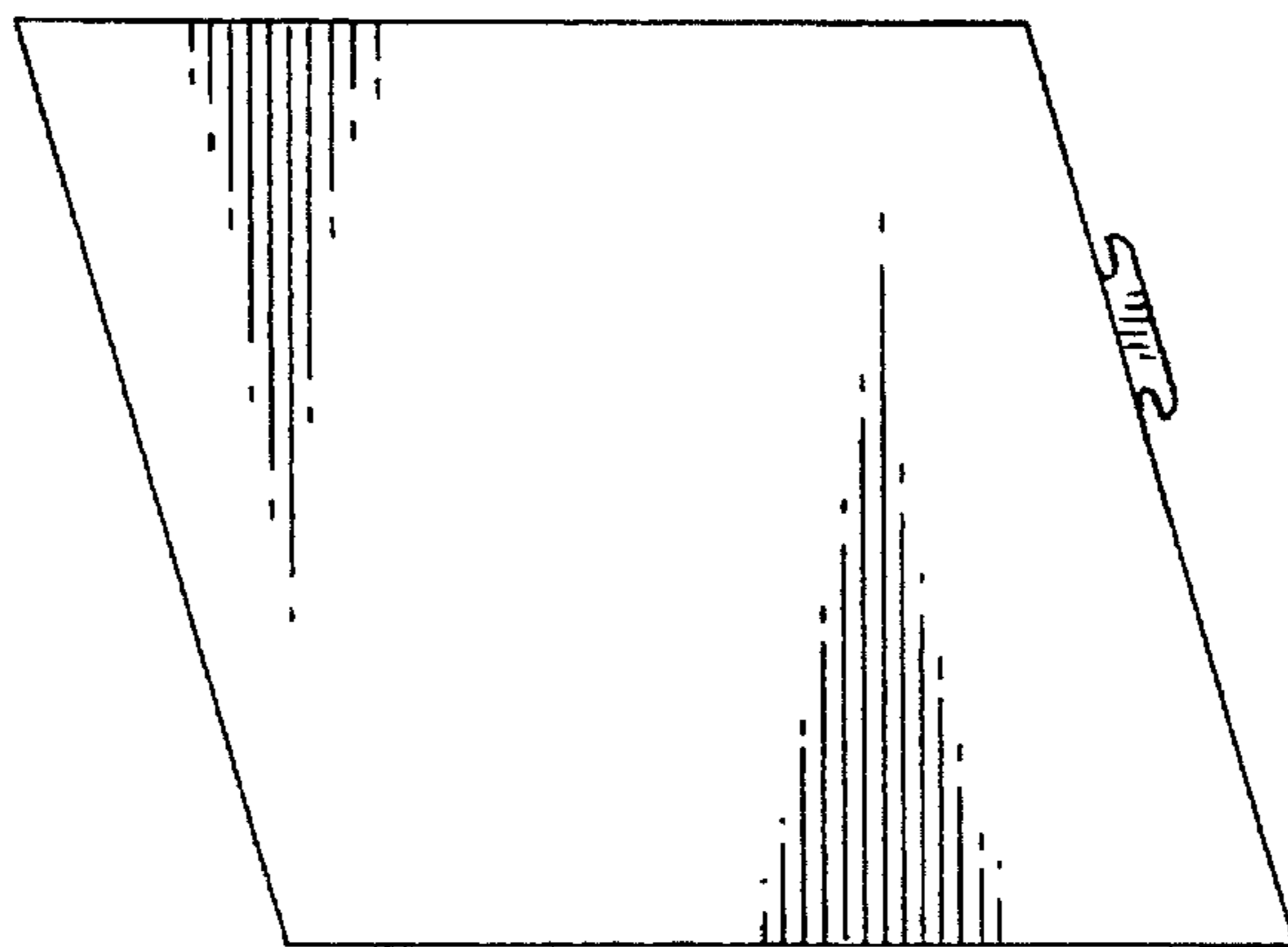


FIG. 5