



US00D377163S

United States Patent [19]

Davis

[11] Patent Number: **Des. 377,163**

[45] Date of Patent: ****Jan. 7, 1997**

[54] STORAGE RACK FOR VEHICLE DOLLY

[76] Inventor: **Denis M. Davis**, 3004 S. Lake Rd.,
Scottsburg, Ind. 47170

[**] Term: **14 Years**

[21] Appl. No.: **32,223**

[22] Filed: **Dec. 14, 1994**

[52] U.S. Cl. **D12/408**

[58] Field of Search D12/406, 408,
D12/407; D6/419; D34/27, 33; 224/488;
414/462

4,948,169	8/1990	Amundson .	
5,040,710	8/1991	Lee .	
5,042,705	8/1991	Johansson	224/324 X
5,209,628	5/1993	Hassell .	
5,456,564	10/1995	Bianchini	414/462

Primary Examiner—B. J. Bullock
Assistant Examiner—Cathron B. Matta
Attorney, Agent, or Firm—Dennis H. Lambert

[57] CLAIM

The ornamental design for a storage rack for vehicle dolly, as shown and described.

DESCRIPTION

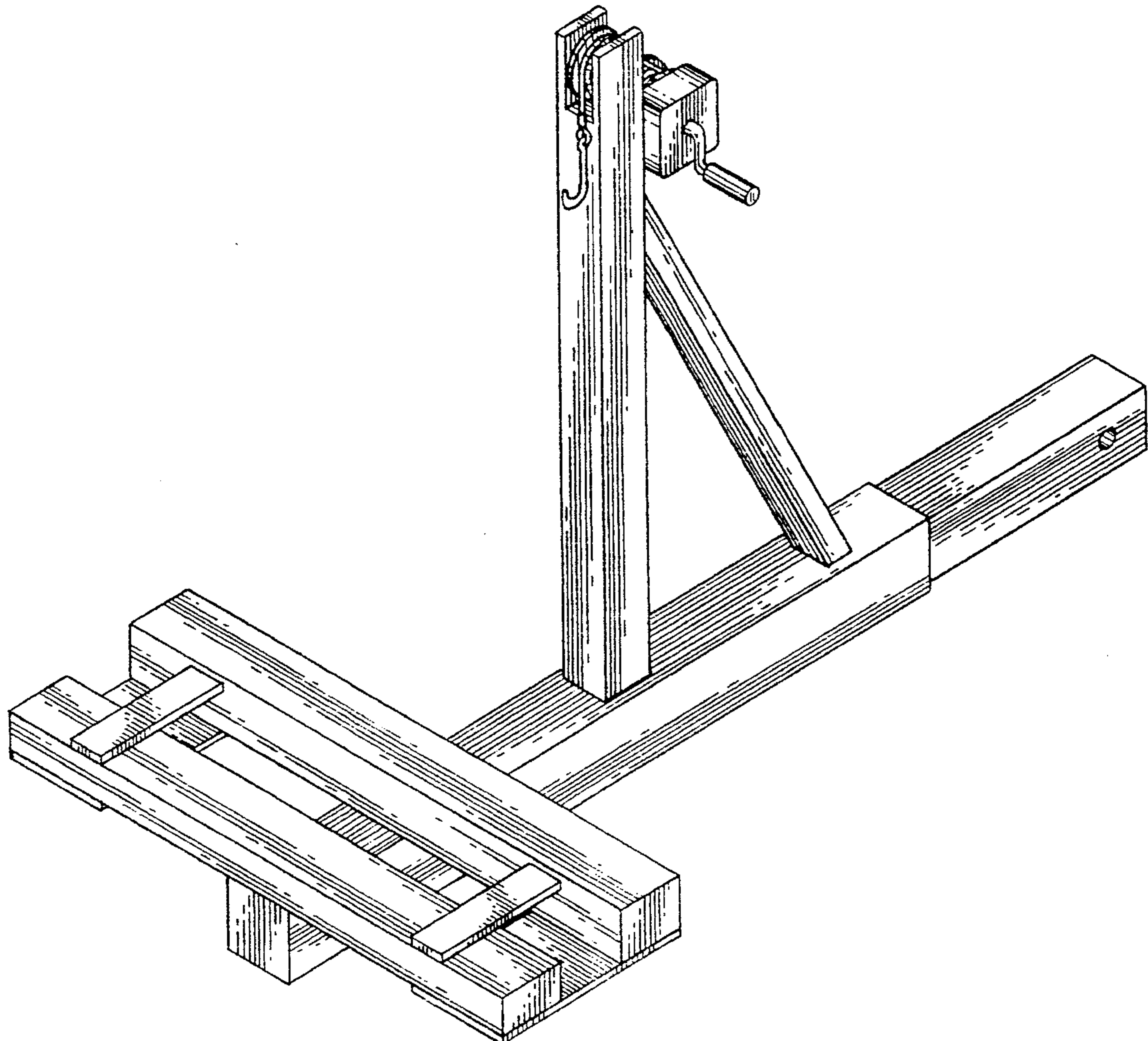
FIG. 1 is a front, top and side perspective view of the storage rack for vehicle dolly showing my new design; FIG. 2 is a front elevational view thereof; FIG. 3 is a rear elevational view thereof; FIG. 4 is a left hand side elevational view thereof; FIG. 5 is a right hand side elevational view thereof; FIG. 6 is a top plan view thereof; and, FIG. 7 is a bottom plan view thereof.

[56] References Cited

U.S. PATENT DOCUMENTS

D. 325,553	4/1992	Weiner et al.	D12/408
D. 349,996	8/1994	Litwiller	D34/33
D. 367,144	2/1996	Poskocil et al.	D34/33
D. 367,377	2/1996	Langton et al.	D6/419
3,944,256	3/1976	Hart et al.	D12/101 X
4,191,316	3/1980	Baumgartner .	
4,635,835	1/1987	Cole .	
4,932,829	6/1990	Miller	414/462

1 Claim, 5 Drawing Sheets



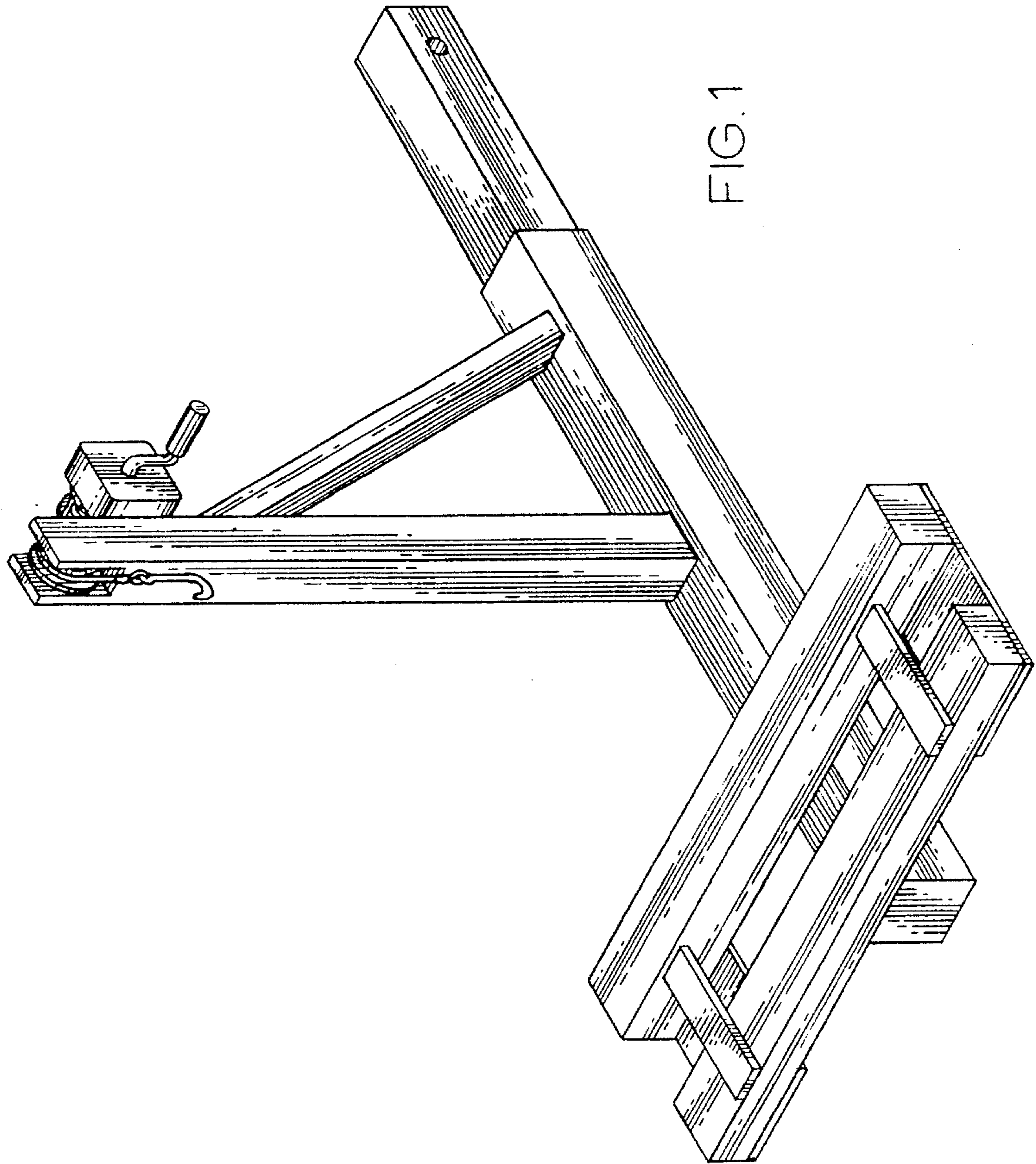


FIG. 3

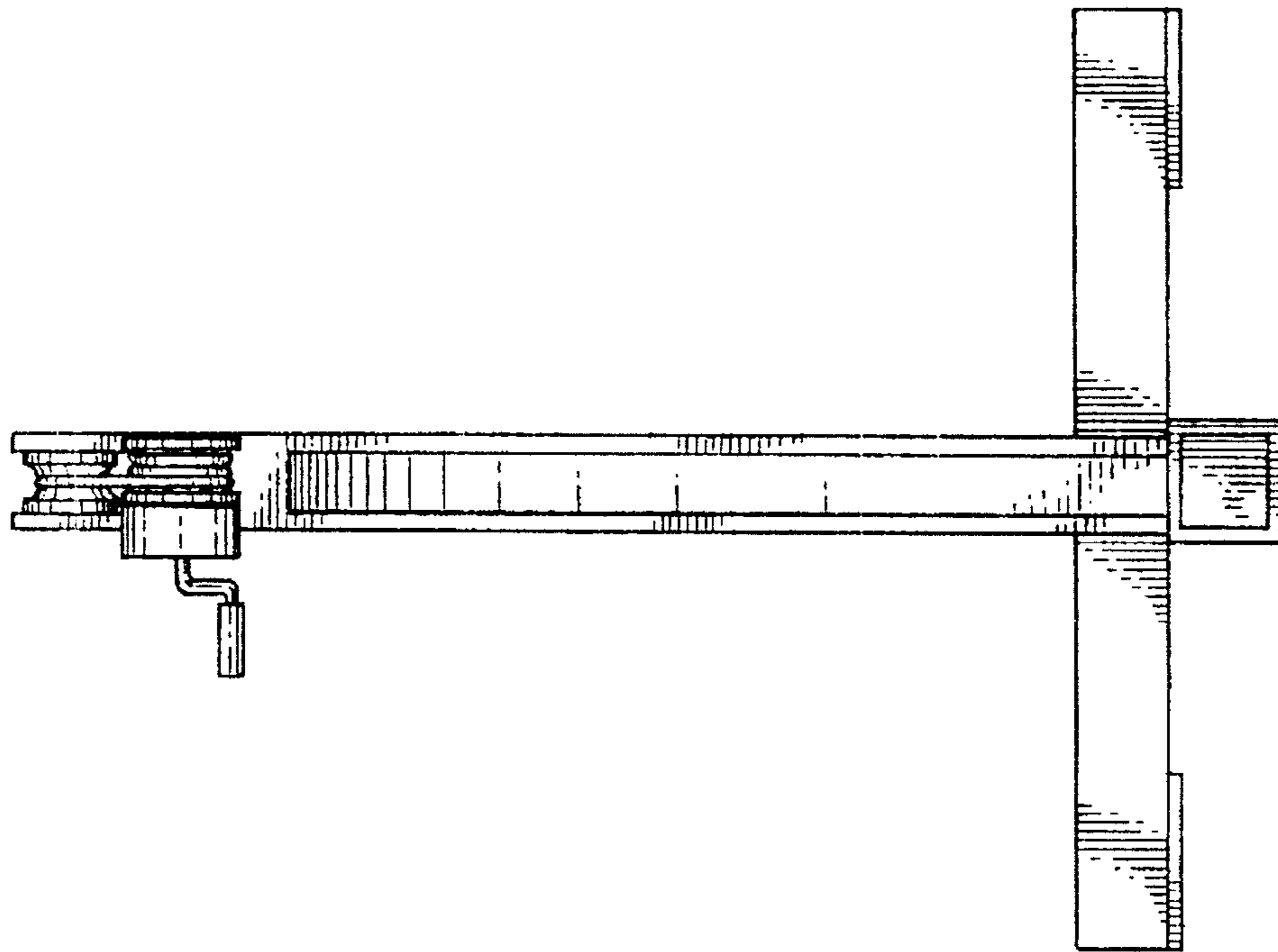
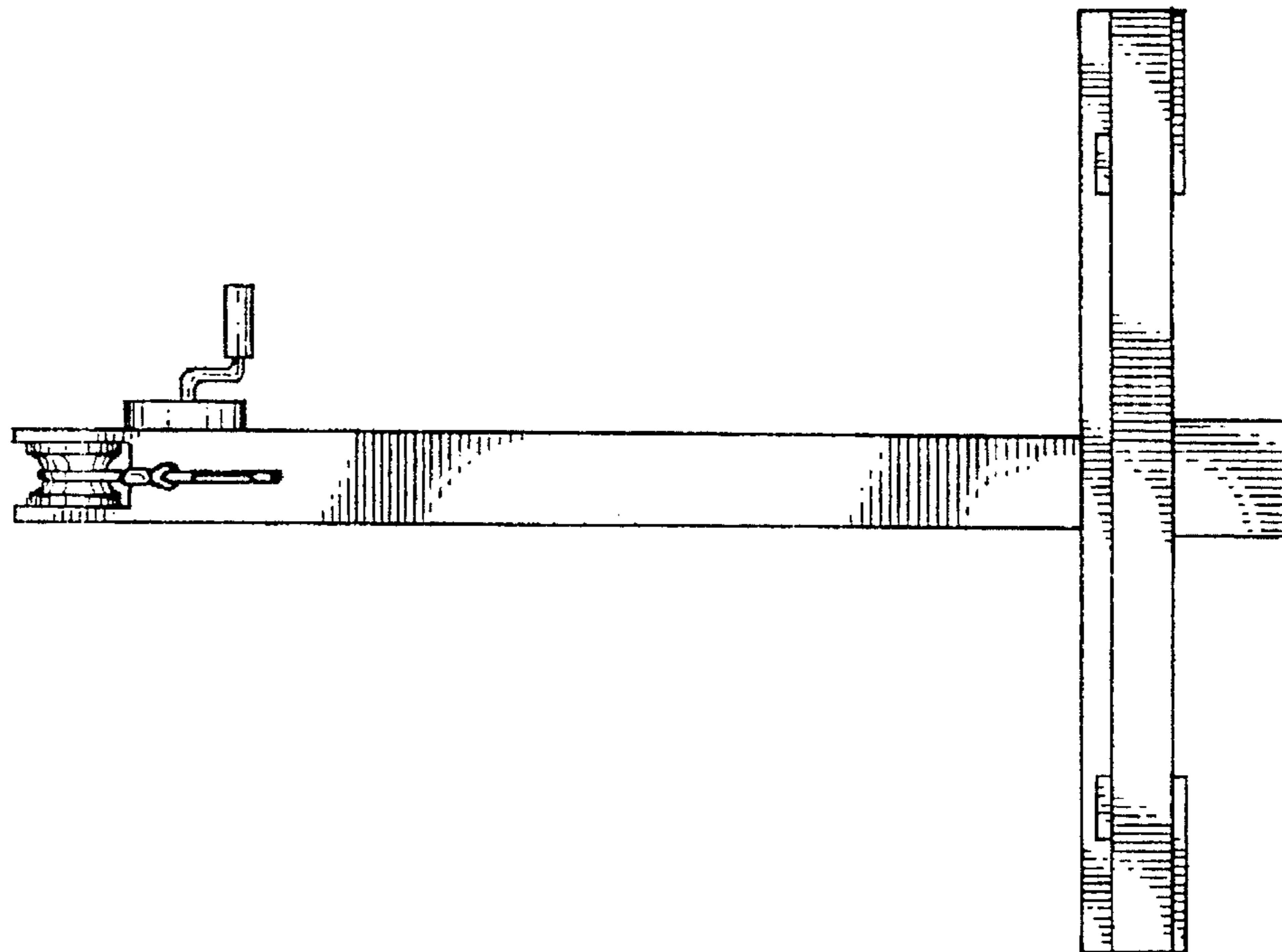
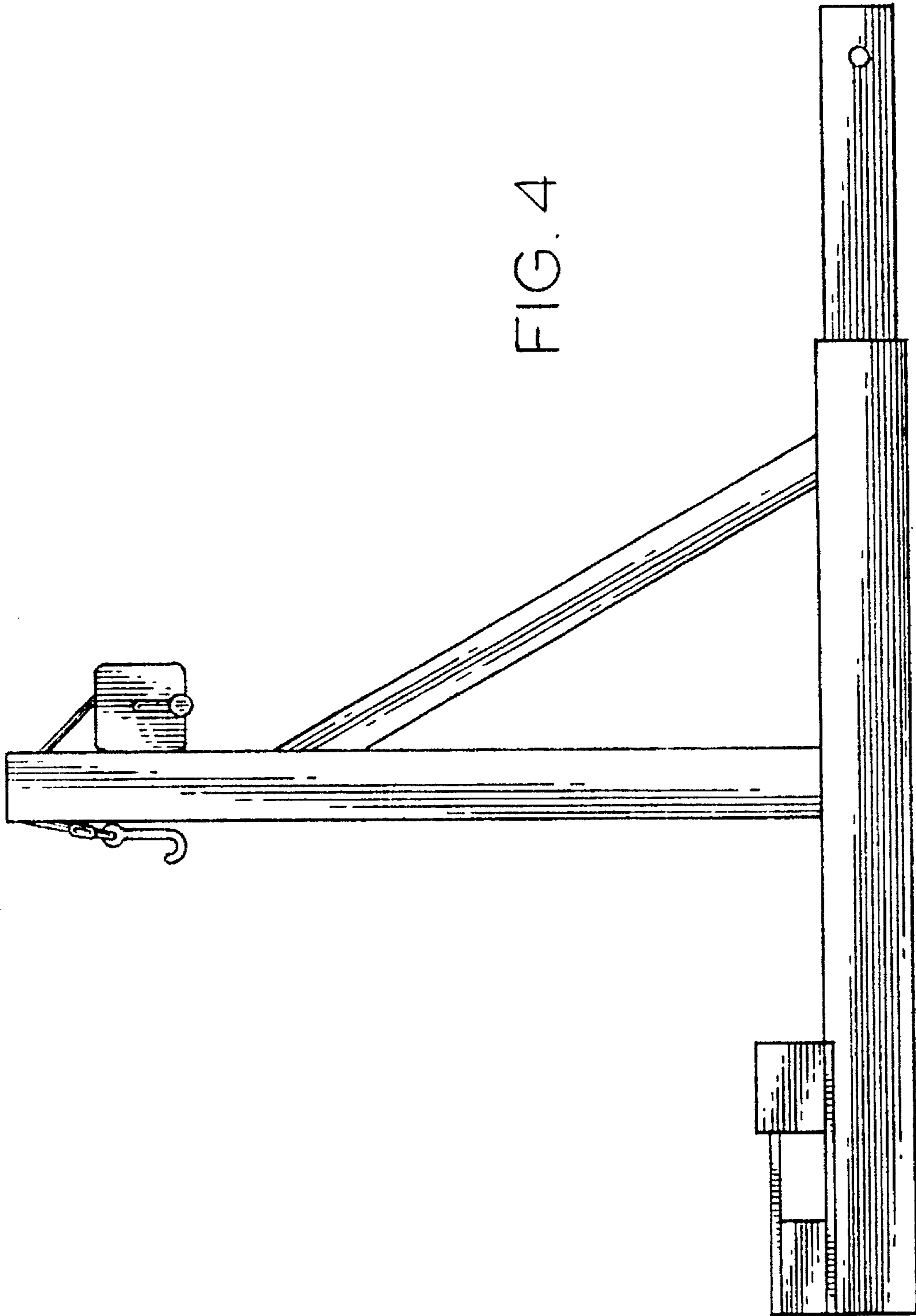


FIG. 2





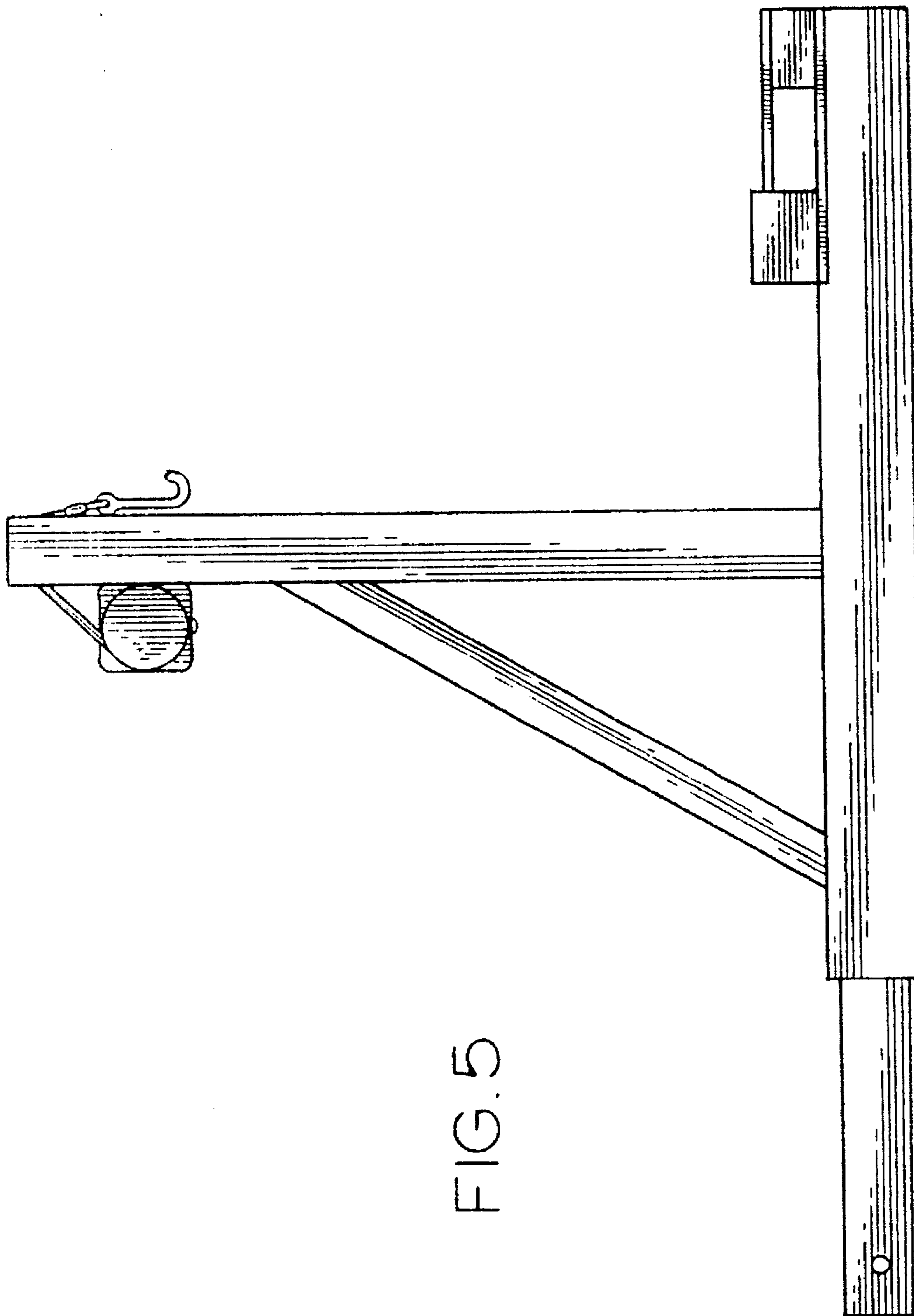


FIG. 5

