



US00D377161S

United States Patent [19]

[11] **Patent Number: Des. 377,161**

Shuen

[45] **Date of Patent: **Jan. 7, 1997**

[54] **NUMBER PLATE MOUNTING FRAME**

[75] **Inventor: Shun-Tian Shuen, San Chung, Taiwan**

[73] **Assignee: Janchy Enterprise Co., Ltd., Taipei, Taiwan**

[**] **Term: 14 Years**

[21] **Appl. No.: 37,207**

[22] **Filed: Apr. 6, 1995**

[52] **U.S. Cl. D12/193; D20/35**

[58] **Field of Search D12/193; D20/10, D20/11, 35; 40/200-211, 590, 591, 592, 593; D6/300-312**

[56] **References Cited**

U.S. PATENT DOCUMENTS

D. 102,729	1/1937	Pemberton	D12/193
D. 134,835	1/1943	Griffith	D12/193
D. 219,774	1/1971	Cox	D12/193
D. 298,023	10/1988	Corey	D12/193
D. 305,417	1/1990	Corey	D12/193

D. 326,029	5/1992	Schmitz et al.	D12/193
D. 331,217	11/1992	Spencer	D12/193
D. 332,596	1/1993	Corey	D12/193
D. 348,037	6/1994	Hu	D12/193
D. 358,359	5/1995	Shusterman	D12/193
D. 365,077	12/1995	Lee	D12/193

Primary Examiner—Marcus A. Jackson
Attorney, Agent, or Firm—Browdy and Neimark

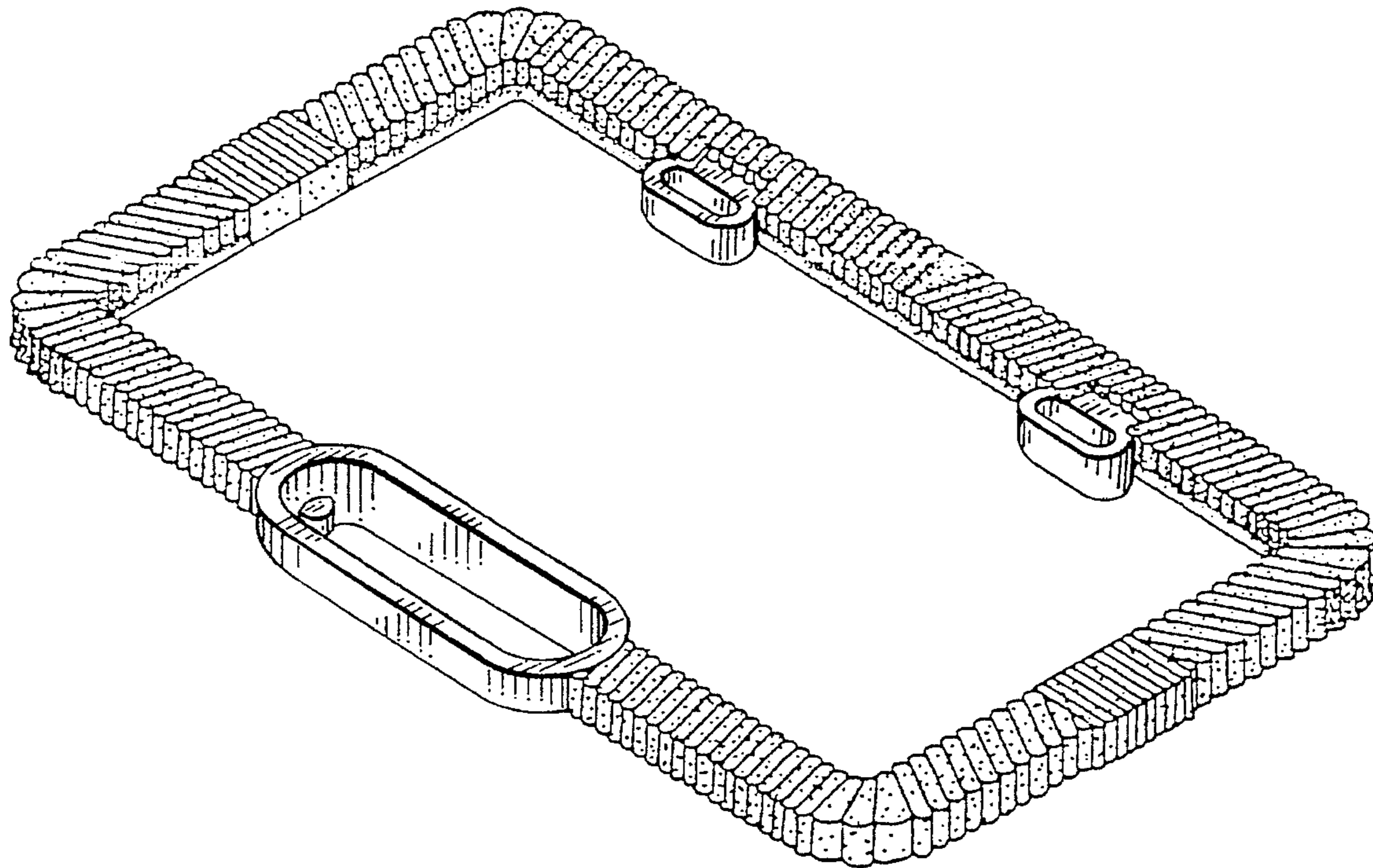
[57] **CLAIM**

The ornamental design for a number plate mounting frame, as shown and described.

DESCRIPTION

FIG. 1 is a front view of number plate mounting frame showing my new design;
FIG. 2 is a back view thereof;
FIG. 3 is a right side view thereof;
FIG. 4 is a left side view thereof;
FIG. 5 is a top side view thereof;
FIG. 6 is a bottom side view thereof; and,
FIG. 7 is a perspective view thereof.

1 Claim, 5 Drawing Sheets



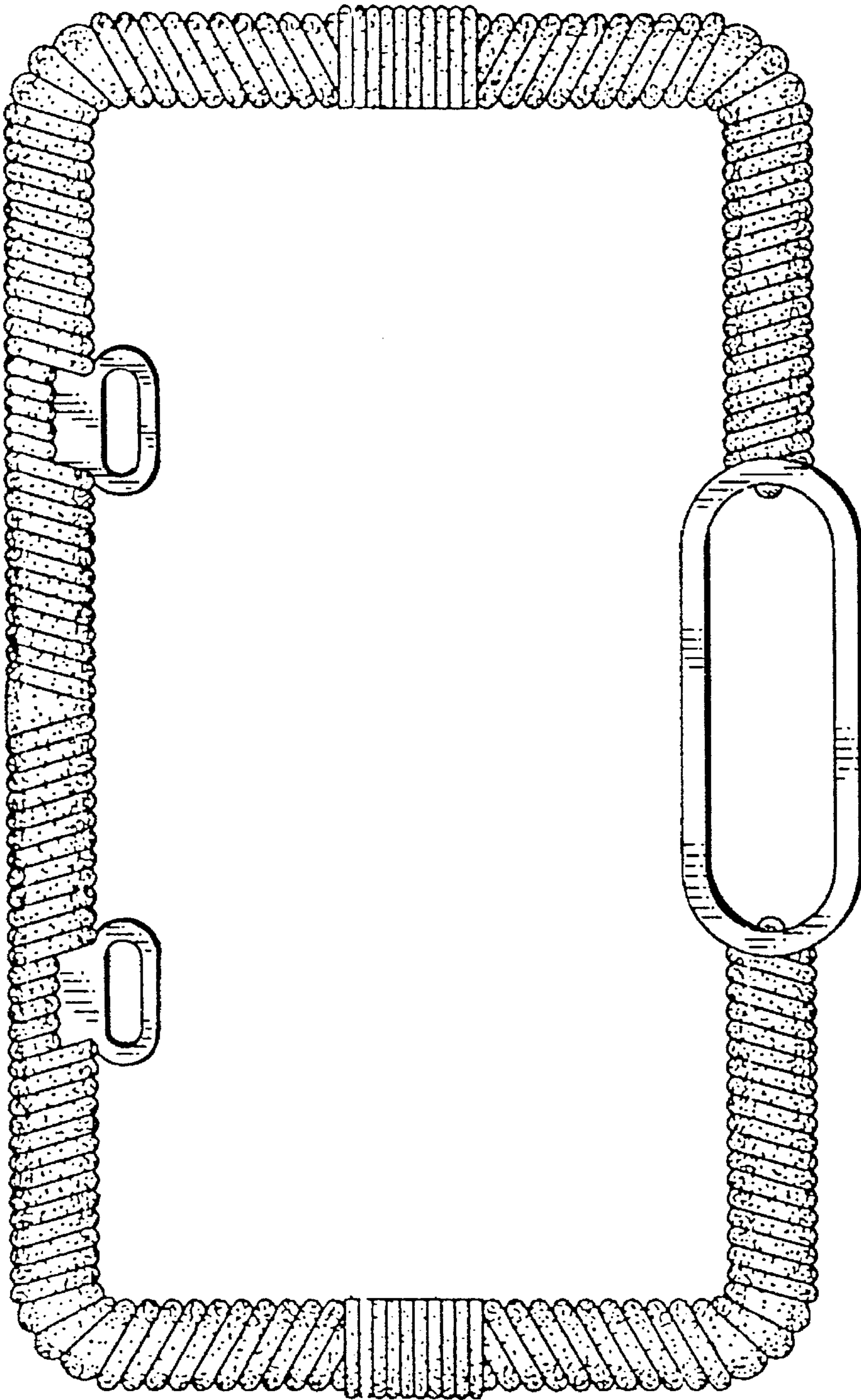


Fig. 1

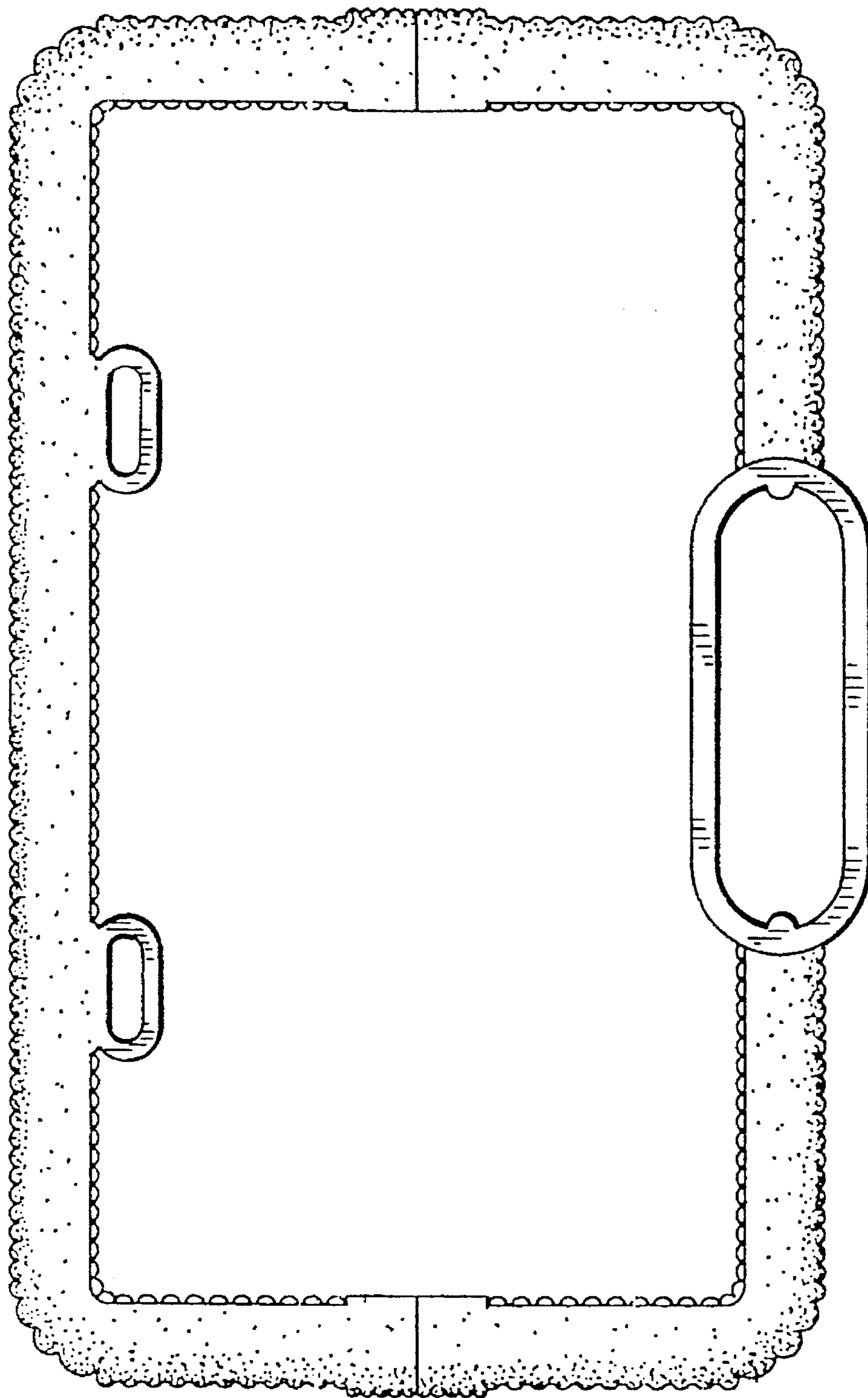


Fig. 2

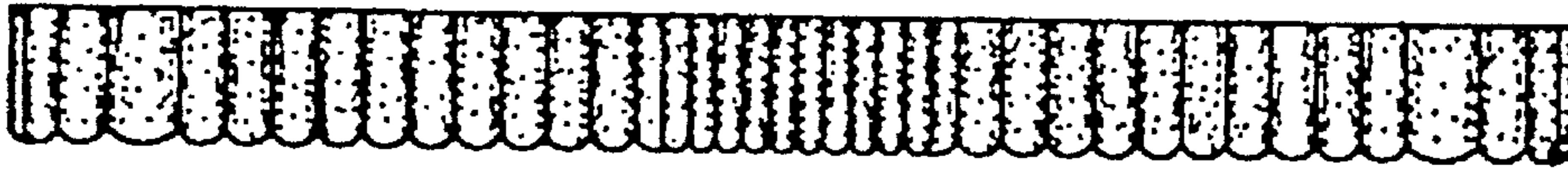


Fig. 4

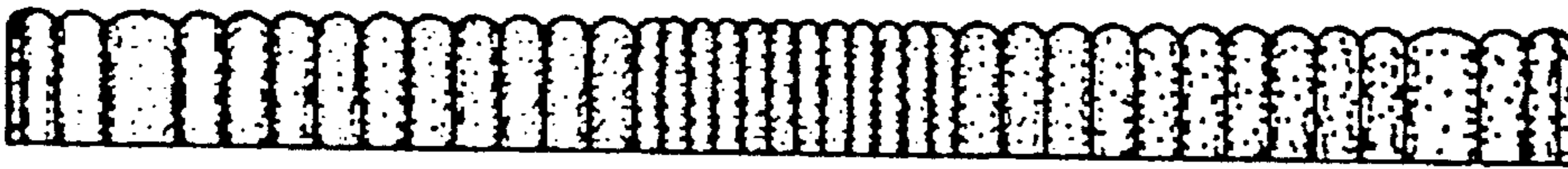


Fig. 3

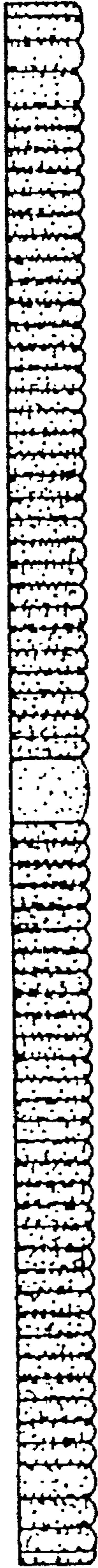


Fig. 5



Fig. 6

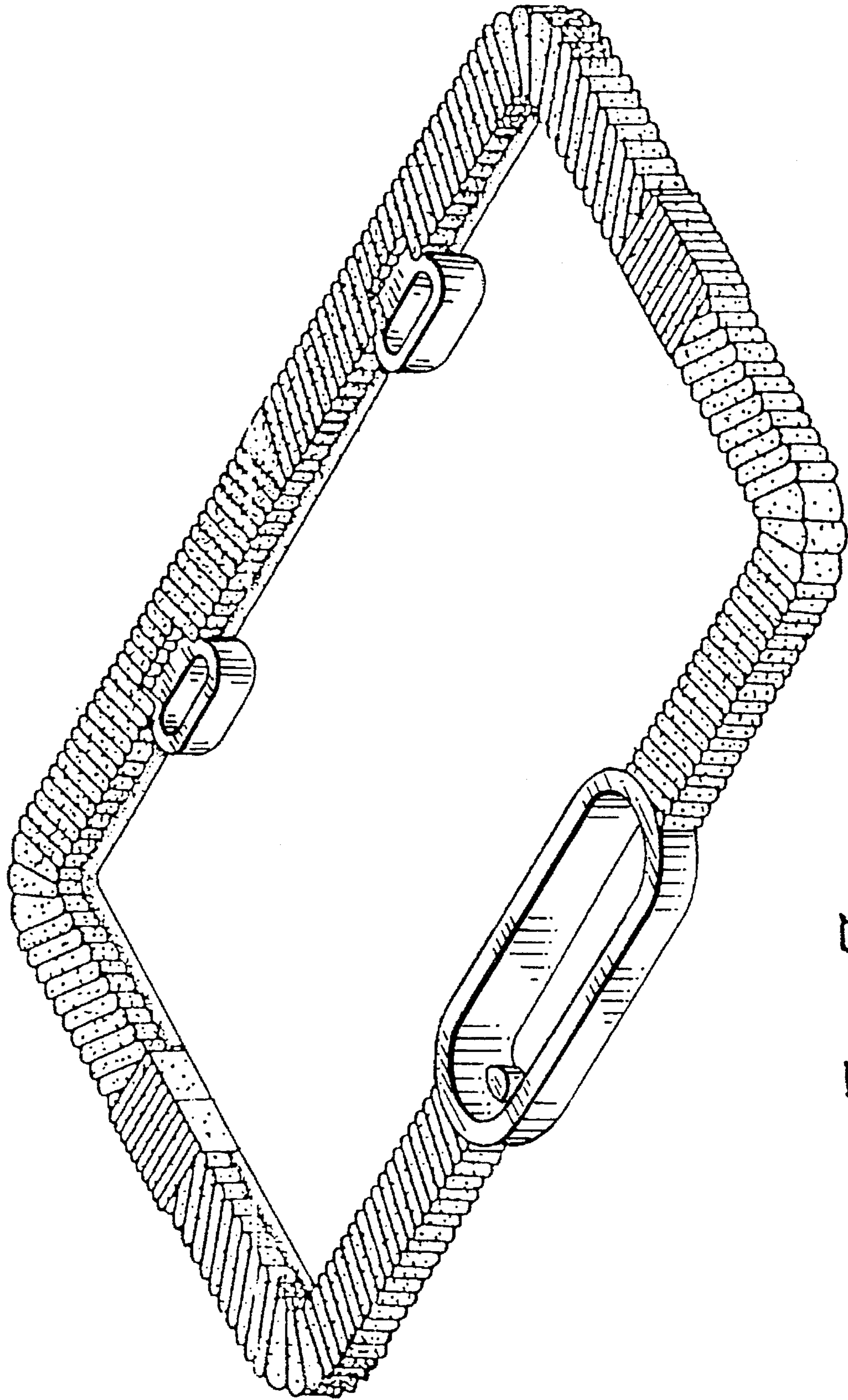


Fig. 7