



US00D377156S

United States Patent [19]
Muir

[11] **Patent Number: Des. 377,156**
[45] **Date of Patent: **Jan. 7, 1997**

[54] **TRAILERLESS PONTOON BOAT**

5,273,473 12/1993 Allen 441/40 X
5,421,757 6/1995 Basiliere D12/316 X

[76] Inventor: **Randy Muir**, 601 St. Cloud, Rapid City, S. Dak. 57701

Primary Examiner—B. J. Bullock
Assistant Examiner—Cathron B. Matta
Attorney, Agent, or Firm—Harpman & Harpman

[**] Term: **14 Years**

[21] Appl. No.: **31,575**

[57] **CLAIM**

[22] Filed: **Nov. 23, 1994**

The ornamental design for a trailerless pontoon boat, as shown and described.

[52] U.S. Cl. **D12/101; D12/304**

[58] Field of Search D12/101, 105, D12/304, 316; 114/123, 61, 270; 441/35, 40

DESCRIPTION

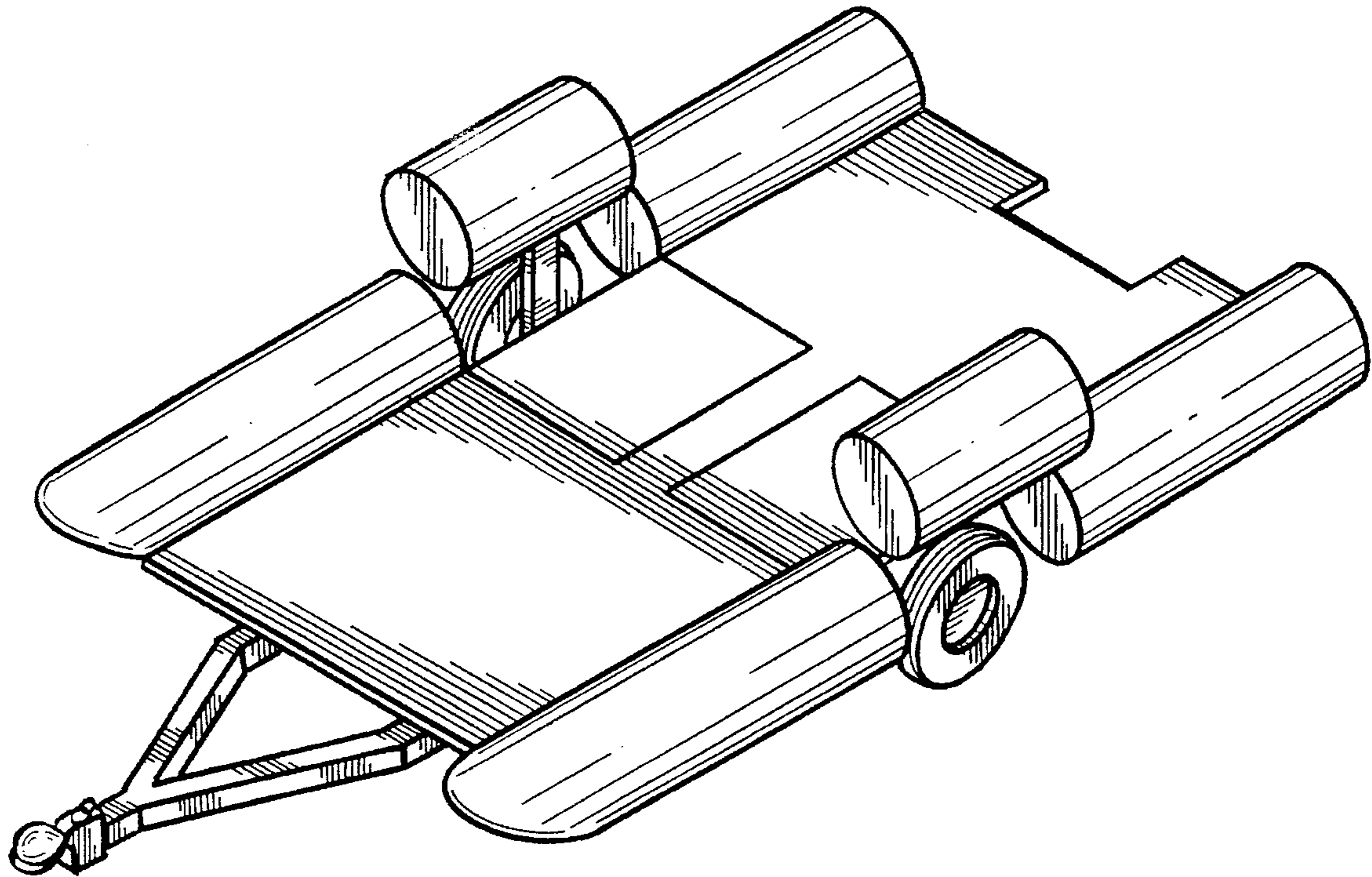
[56] **References Cited**

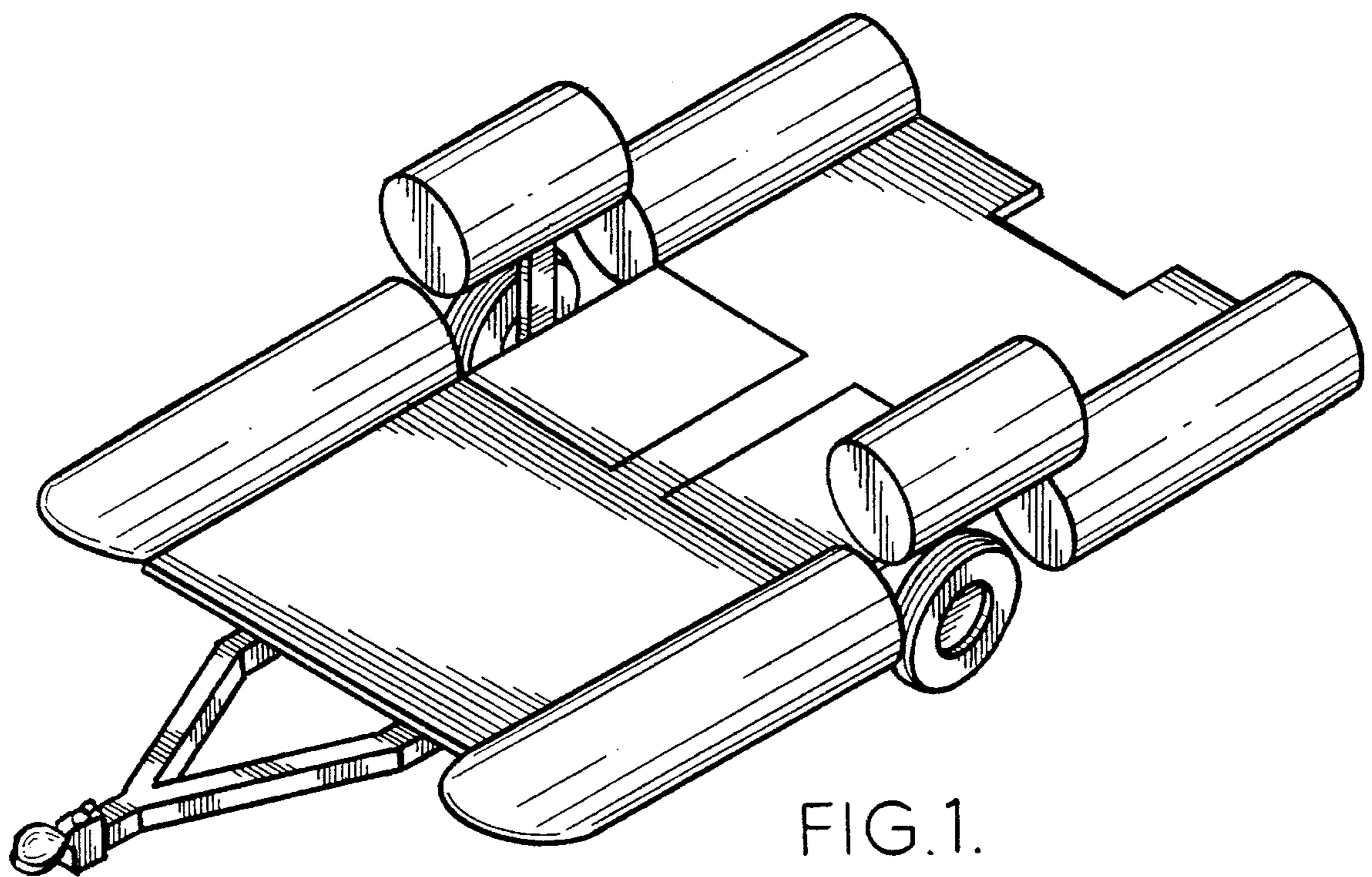
FIG. 1 is a front, top and side perspective view of the trailerless pontoon boat embodying the design of the present invention;
FIG. 2 is a front elevational view thereof;
FIG. 3 is a rear elevational view thereof;
FIG. 4 is a side elevational view thereof, the side opposite being a mirror image of the side shown in FIG. 4;
FIG. 5 is a top plan view thereof; and,
FIG. 6 is a bottom plan view thereof.

U.S. PATENT DOCUMENTS

D. 223,687	5/1972	Wiederhold	D12/304
D. 292,785	11/1987	Warren	D12/101
D. 355,882	2/1995	Aubut et al.	D12/316
3,425,071	2/1969	Frieder et al.	441/40
4,854,257	8/1989	Grayson	D12/304 X
4,915,047	4/1990	Lord et al.	D12/304 X

1 Claim, 3 Drawing Sheets





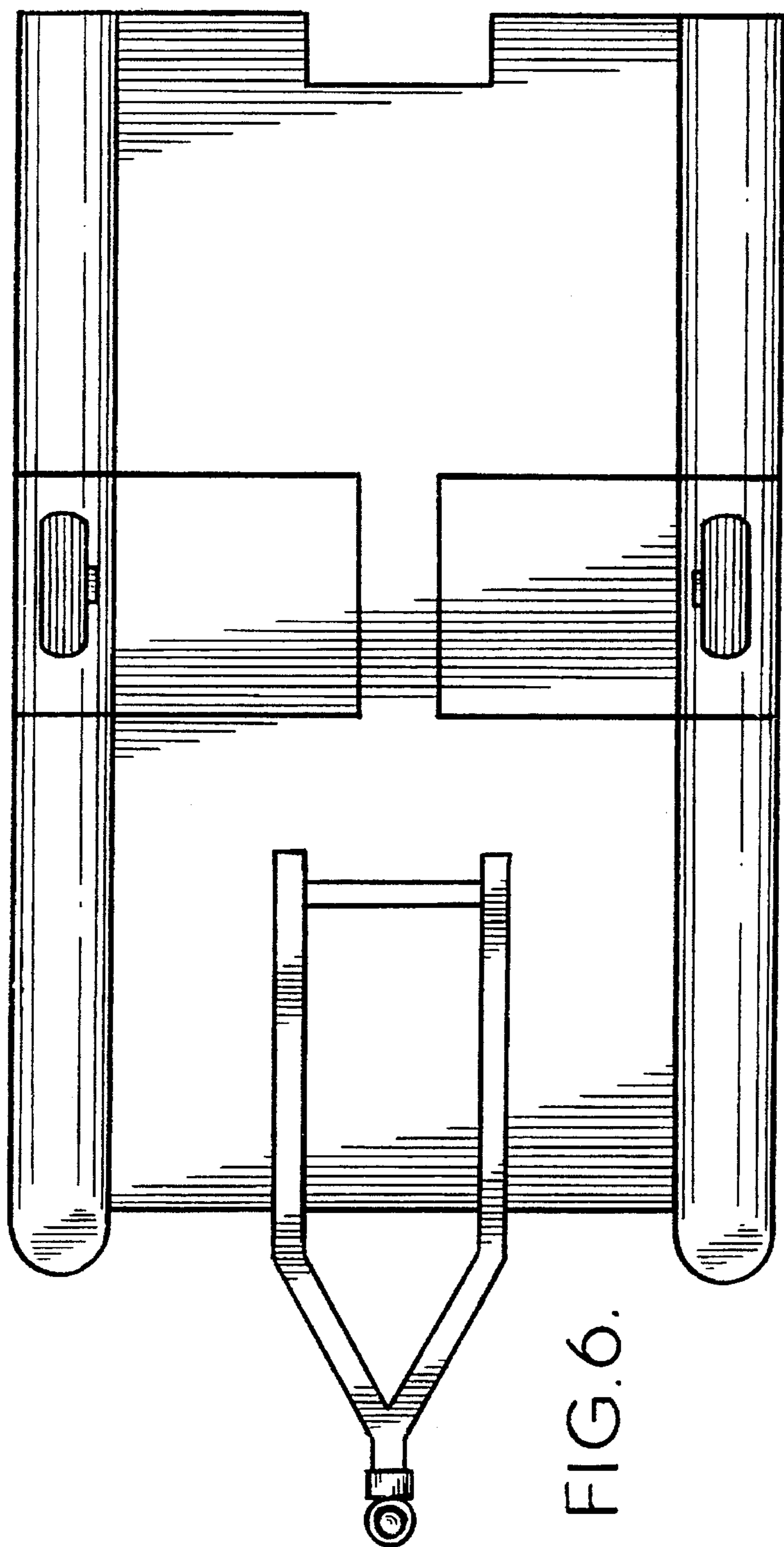


FIG. 6.

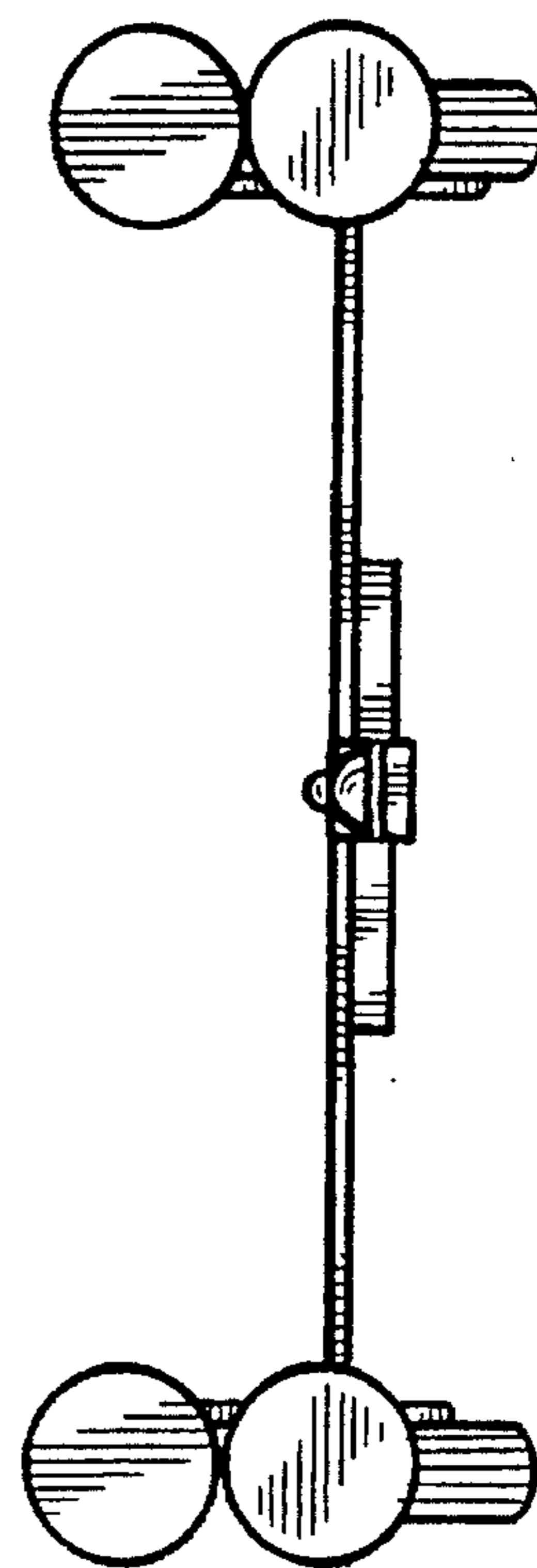


FIG. 2.

FIG. 4.

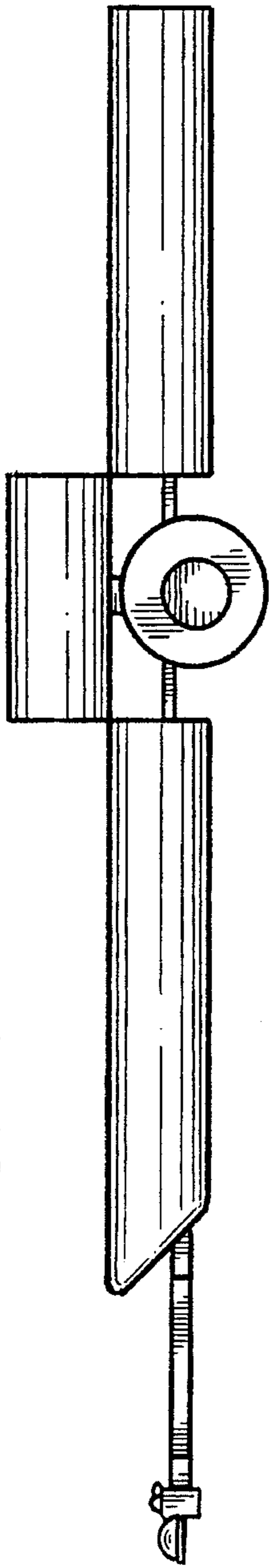


FIG. 5.

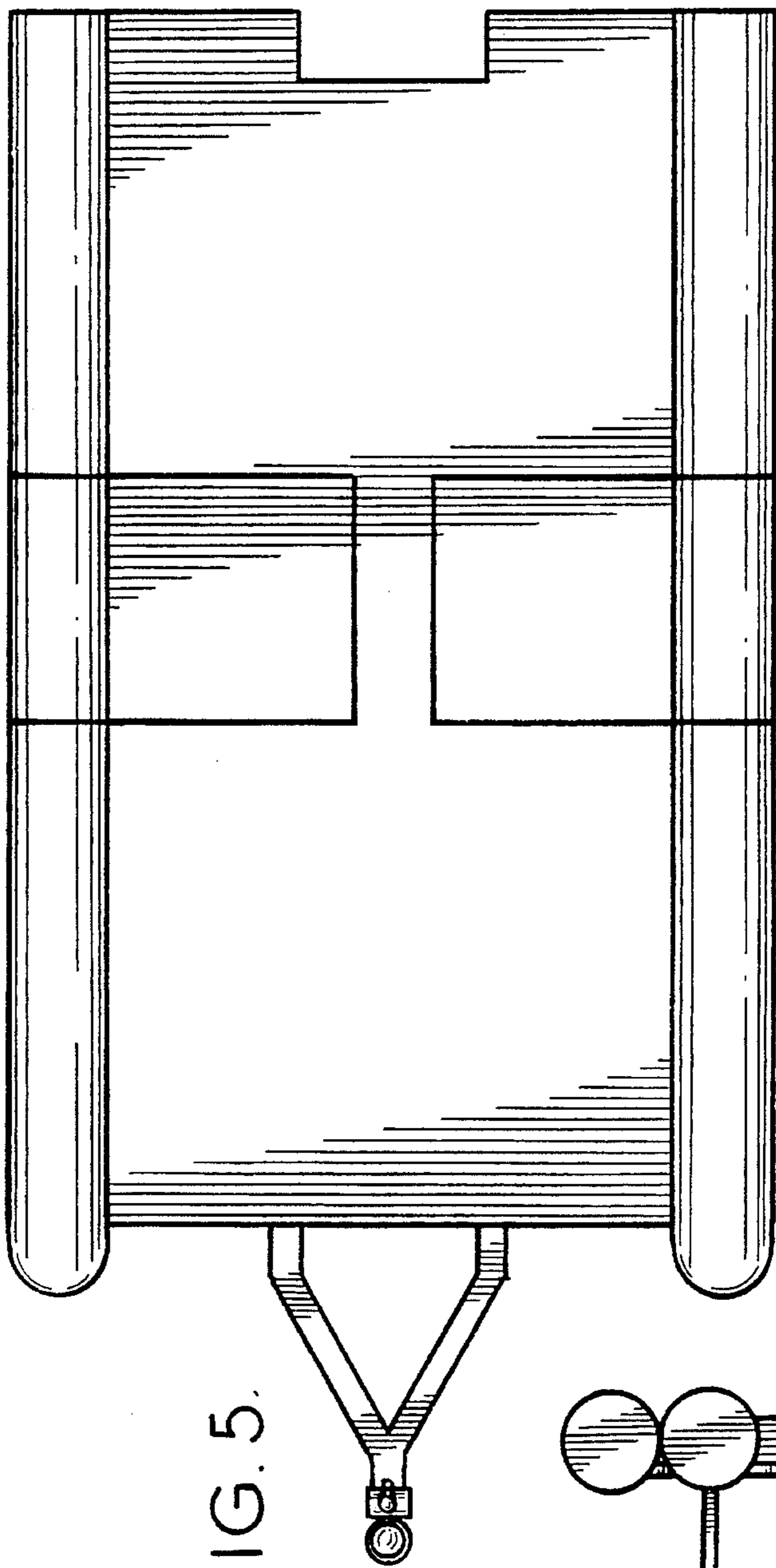


FIG. 3.

