



US00D377154S

United States Patent [19]

[11] **Patent Number: Des. 377,154**

Rumo

[45] **Date of Patent: **Jan. 7, 1997**

[54] **WATCH BRACELET**

744,564 11/1903 Kisling et al. D11/3
2,064,603 12/1936 Harrison D11/6

[75] Inventor: **Freddy Rumo**, La Chaux-de-Fonds, Switzerland

Primary Examiner—Ralf Seifert
Attorney, Agent, or Firm—McGlew and Tuttle, P.C.

[73] Assignees: **Montres DuRoy; F. Rumo**, both of La Chaux-de-Fonds, Switzerland

[57] **CLAIM**

[**] Term: **14 Years**

The ornamental design for a watch bracelet, as shown and described.

[21] Appl. No.: **44,695**

DESCRIPTION

[22] Filed: **Sep. 29, 1995**

FIG. 1 is a top view of my watch bracelet;
FIG. 2 is a bottom view thereof;
FIG. 3 is a top right side perspective view thereof;
FIG. 4 is a right side view thereof;
FIG. 5 is a left side view thereof;
FIG. 6 is a front end view thereof;
FIG. 7 is a rear end view thereof;
FIG. 8 is a view similar to FIG. 1, showing the snap removed;
FIG. 9 is a view similar to FIG. 2, showing the snap removed; and,
FIG. 10 is a view similar to FIG. 3, showing the snap removed.

[30] **Foreign Application Priority Data**

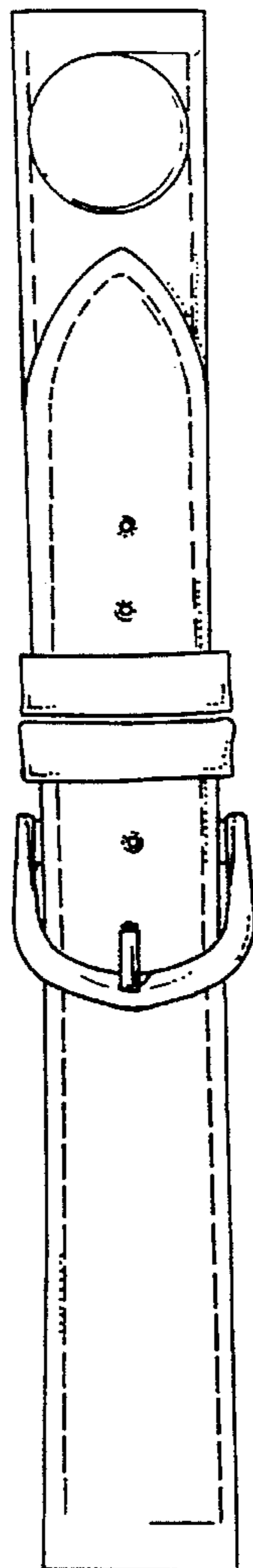
Mar. 30, 1995 [CH] Switzerland DM/033132
[52] **U.S. Cl.** **D11/3**
[58] **Field of Search** D11/1-25; 59/78;
63/1.1, 2, 3; 224/164; D10/30-32

[56] **References Cited**

U.S. PATENT DOCUMENTS

D. 130,112 10/1941 Schultheiss D11/3
D. 136,736 11/1943 Mercer D11/3
D. 360,141 7/1995 Scheufele D10/32

1 Claim, 3 Drawing Sheets



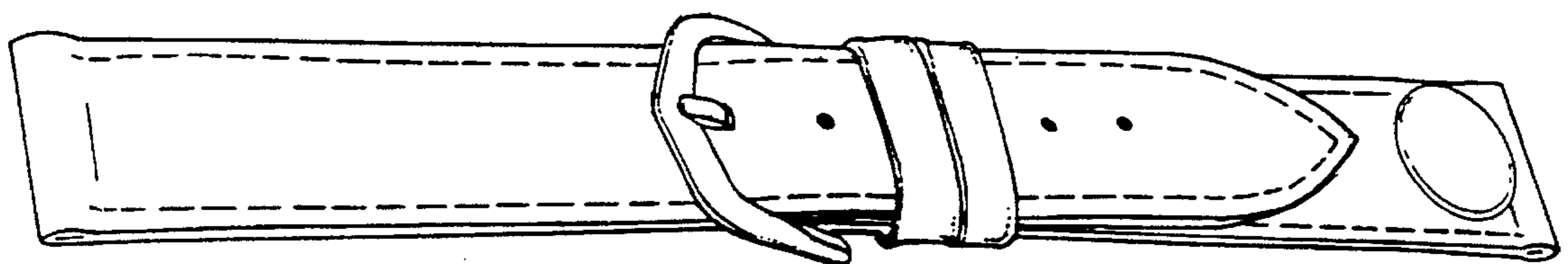
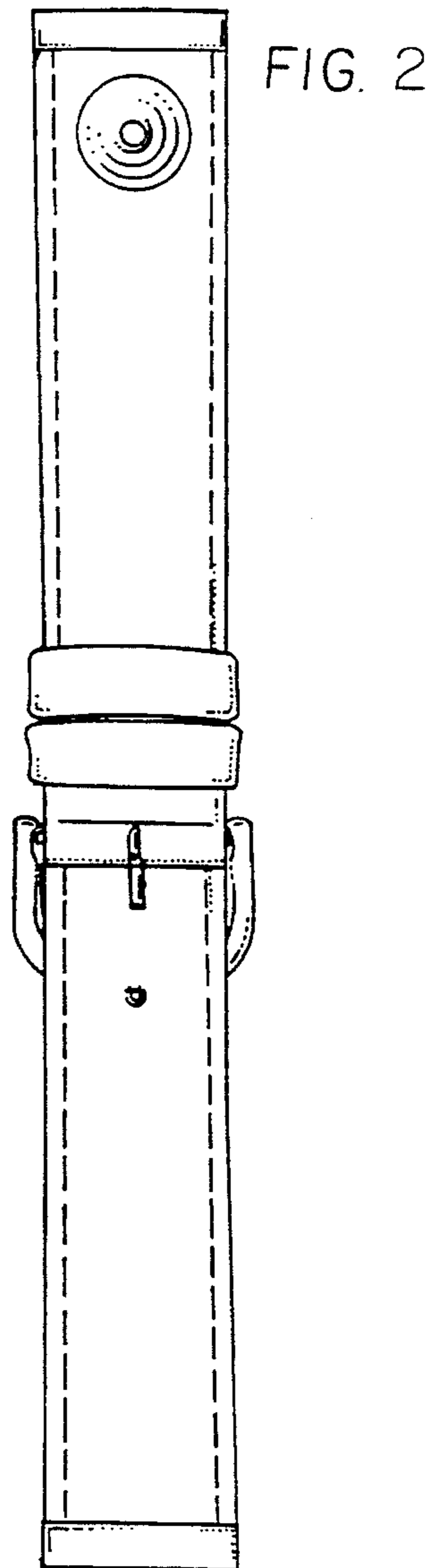
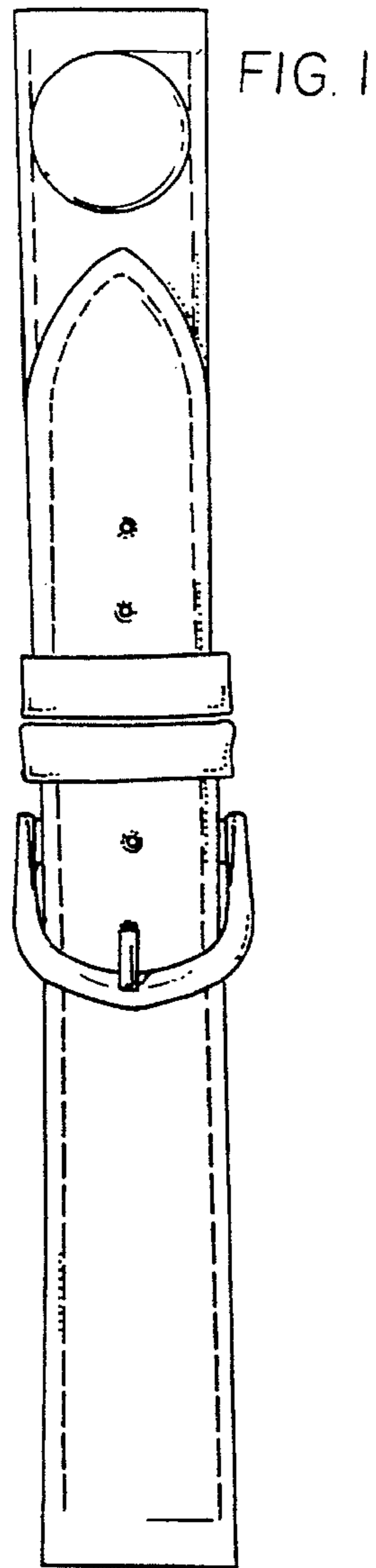


FIG. 3

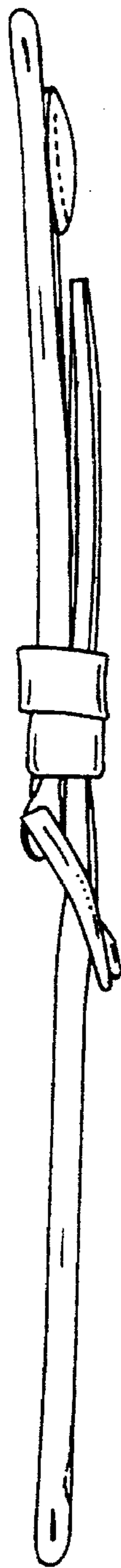


FIG. 4



FIG. 5



FIG. 6



FIG. 7

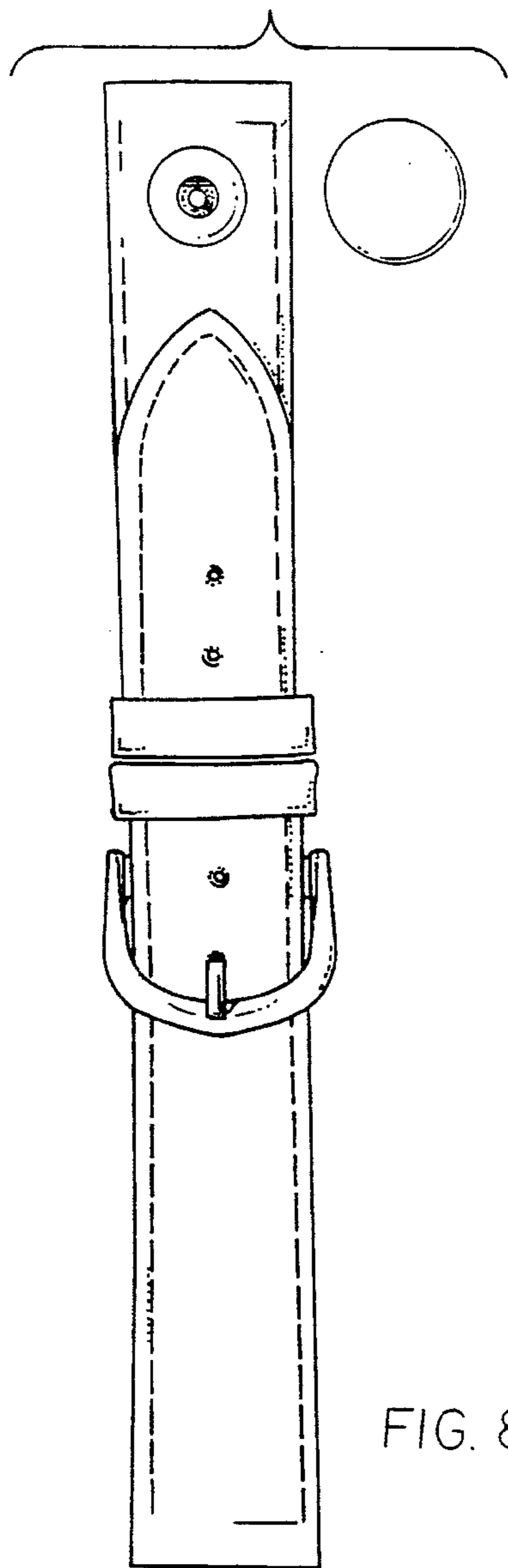


FIG. 8

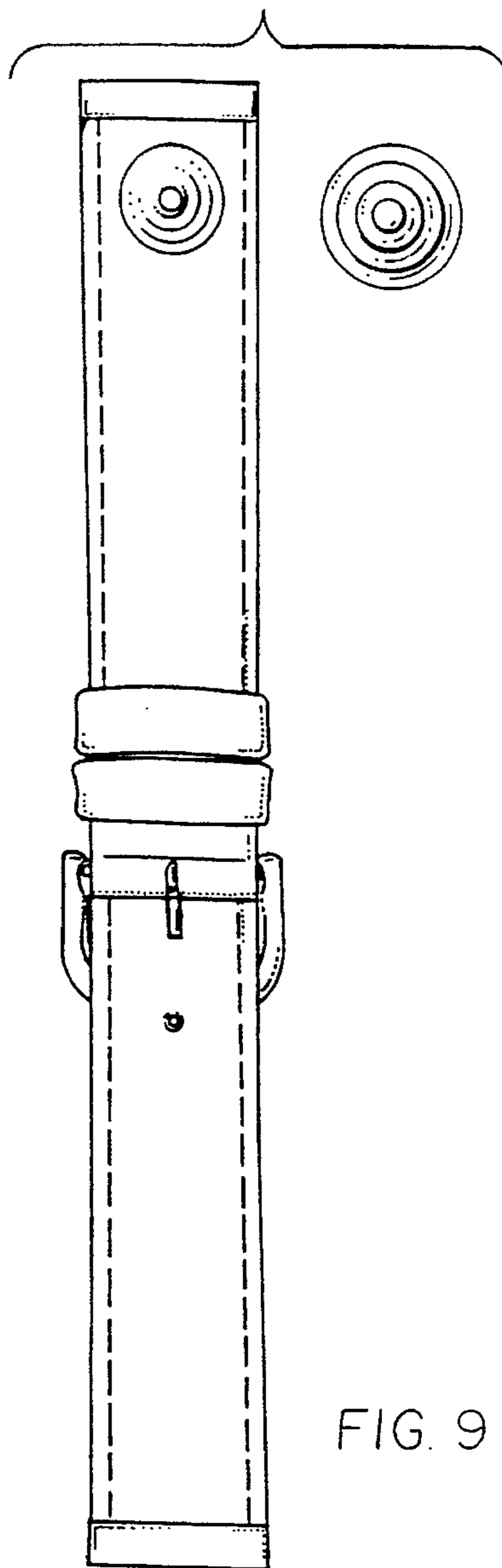


FIG. 9

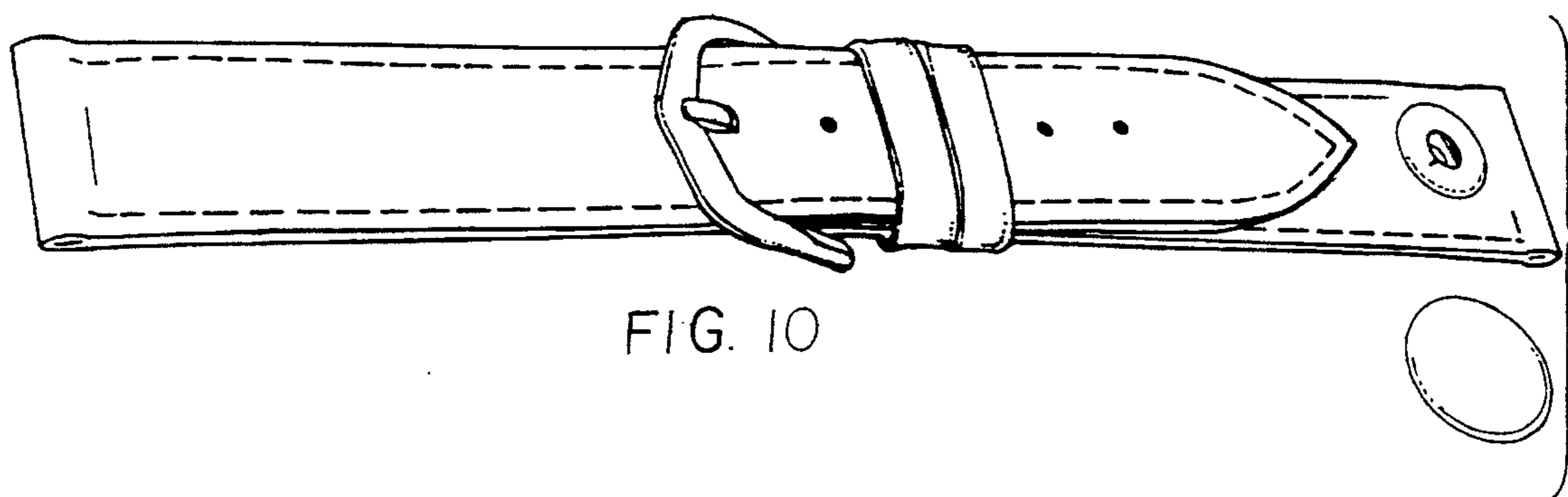


FIG. 10

UNITED STATES PATENT AND TRADEMARK OFFICE
CERTIFICATE OF CORRECTION

PATENT NO. : Des. 377,154

DATED January 7, 1997

INVENTOR(S) : Montres DuRoy, et. al.

It is certified that error appears in the above-identified patent and that said Letters Patent is hereby corrected as shown below:

Title page, item [73], Assignee: should read--Montres DuRoy, F. Rumo, of La Chaux-de-Fonds, Switzerland--.

Signed and Sealed this
Sixth Day of May, 1997

Attest:



BRUCE LEHMAN

Attesting Officer

Commissioner of Patents and Trademarks