



US00D377152S

United States Patent [19]

[11] **Patent Number: Des. 377,152**

Hanson et al.

[45] **Date of Patent: **Jan. 7, 1997**

[54] **DISSOLUTION TEST APPARATUS**

4,662,231 5/1987 Schaarschmidt et al. 73/863
4,718,288 1/1988 Leschonski et al. 73/863

[75] Inventors: **Royal A. Hanson**, Chatsworth; **Bruce E. Renslow**, Castaic; **Guillermo E. Meneses**, Chatsworth; **Sean M. Montgomery**, Santa Barbara; **Robson L. Splane, Jr.**, Granada Hills, all of Calif.

Primary Examiner—Antoine Duval Davis
Attorney, Agent, or Firm—Jack Munro

[73] Assignee: **Hanson Research Corporation**, Chatsworth, Calif.

[57] **CLAIM**

The ornamental design for dissolution test apparatus, as shown and described.

[**] Term: **14 Years**

DESCRIPTION

[21] Appl. No.: **50,754**

FIG. 1 is a front view of the dissolution test apparatus showing our design;

[22] Filed: **Feb. 26, 1996**

FIG. 2 is a right side view thereof;

[52] U.S. Cl. **D10/81**

FIG. 3 is a left side view thereof;

[58] **Field of Search** D10/46, 81; 73/863.24, 73/865.8, 863, 864.23, 864.31, 864

FIG. 4 is a back view thereof;

FIG. 5 is a top view thereof; and,

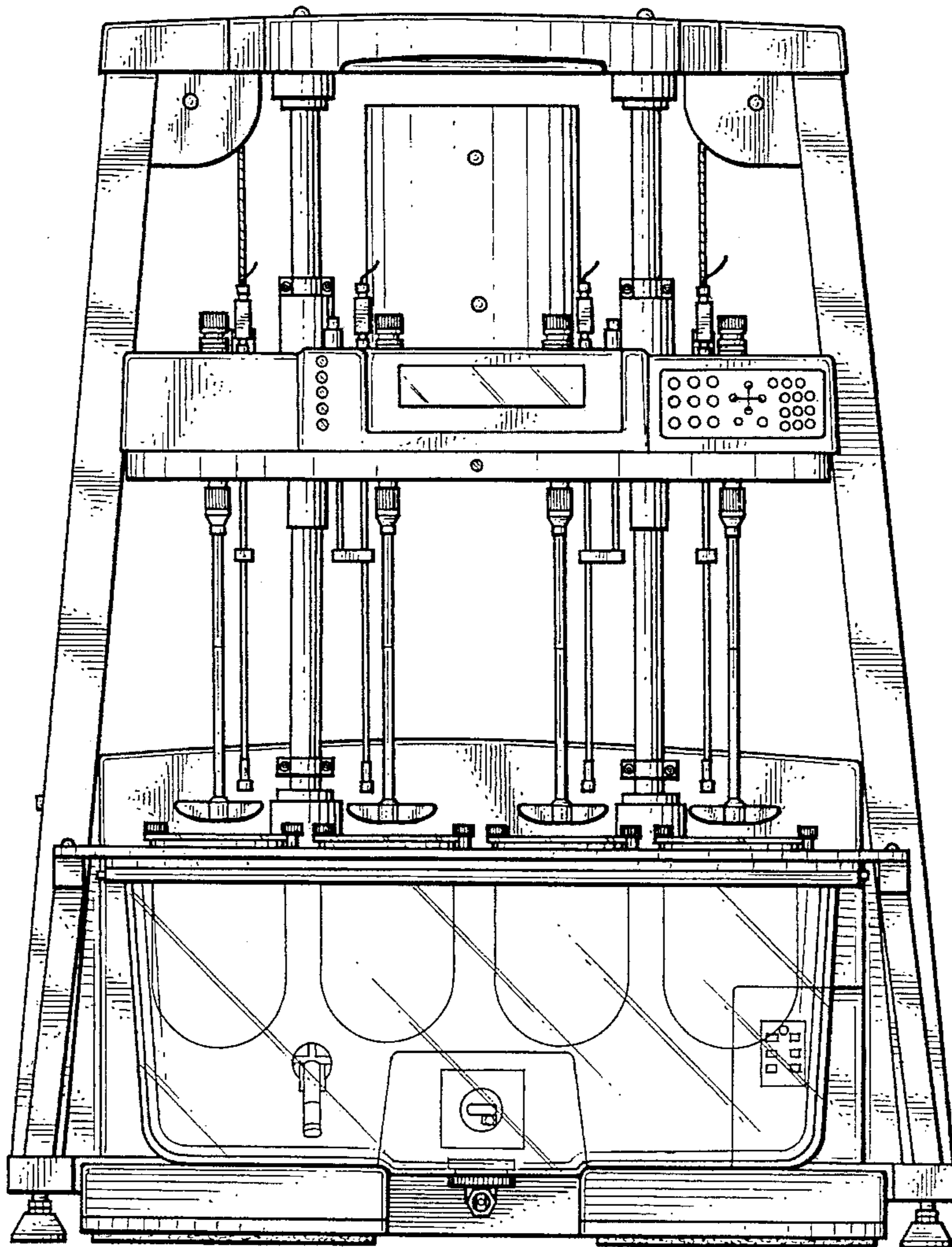
FIG. 6 is a bottom view thereof.

[56] **References Cited**

U.S. PATENT DOCUMENTS

D. 311,875 11/1990 Dykstra et al. D10/81

1 Claim, 5 Drawing Sheets



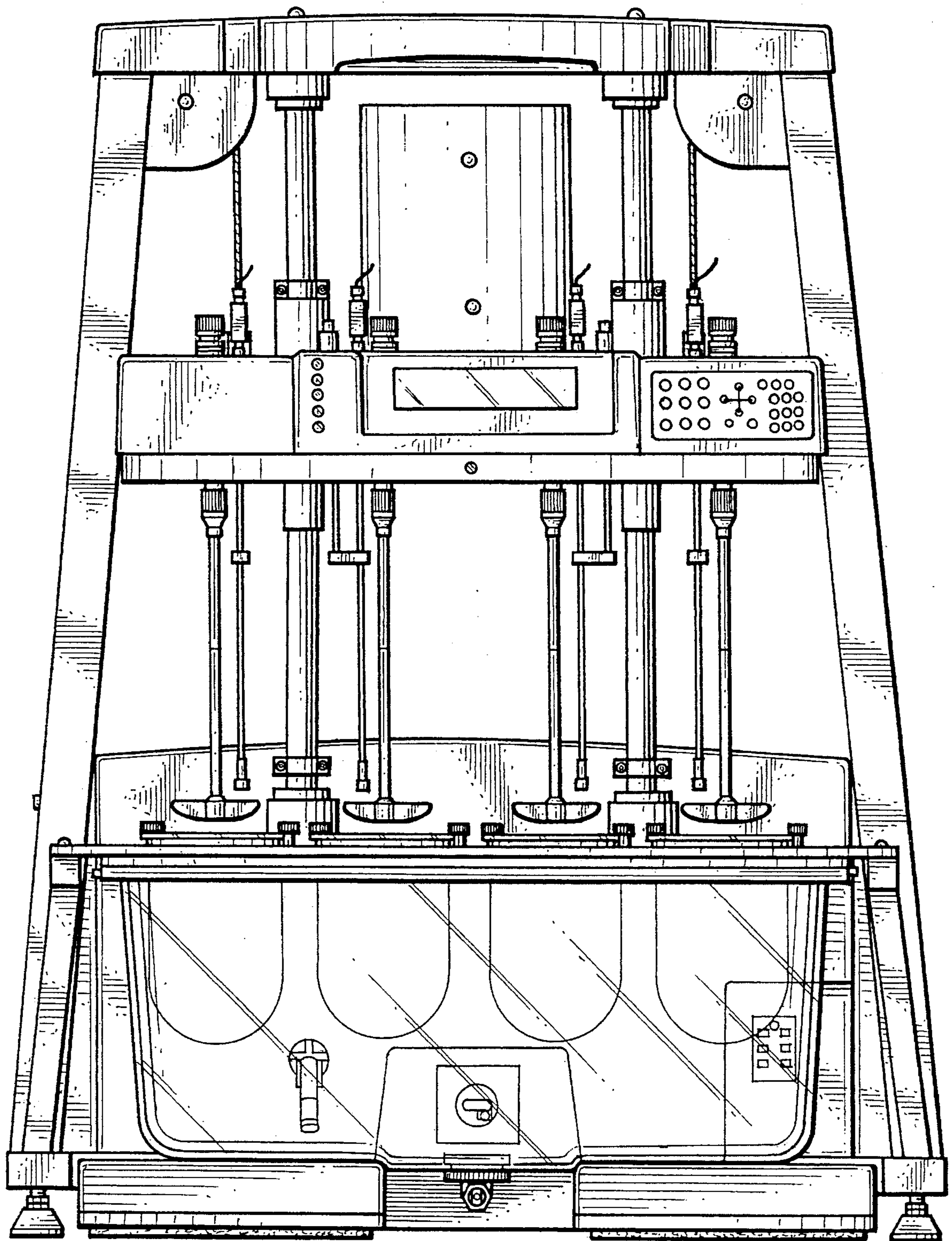


Fig. 1.

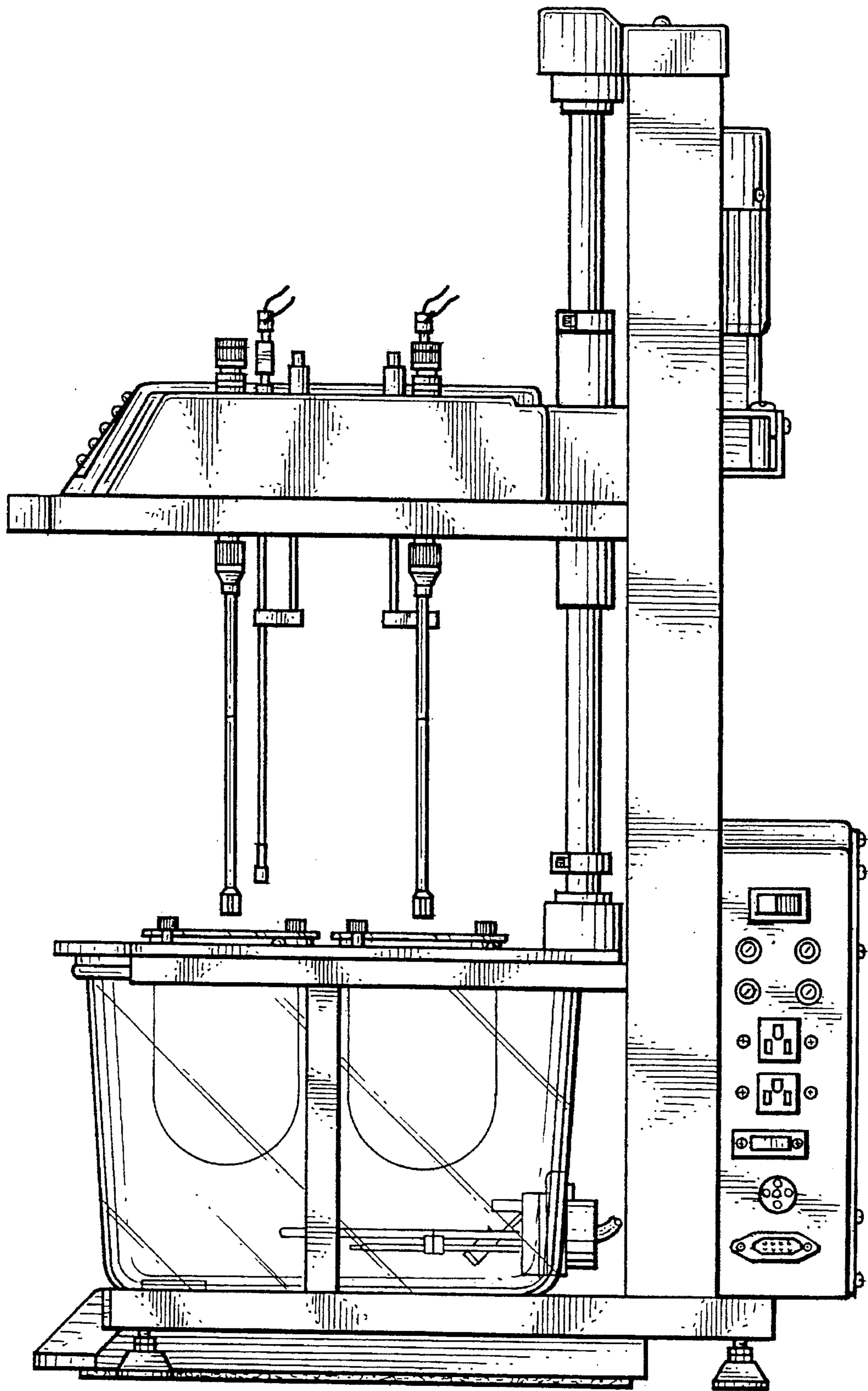


Fig. 2.

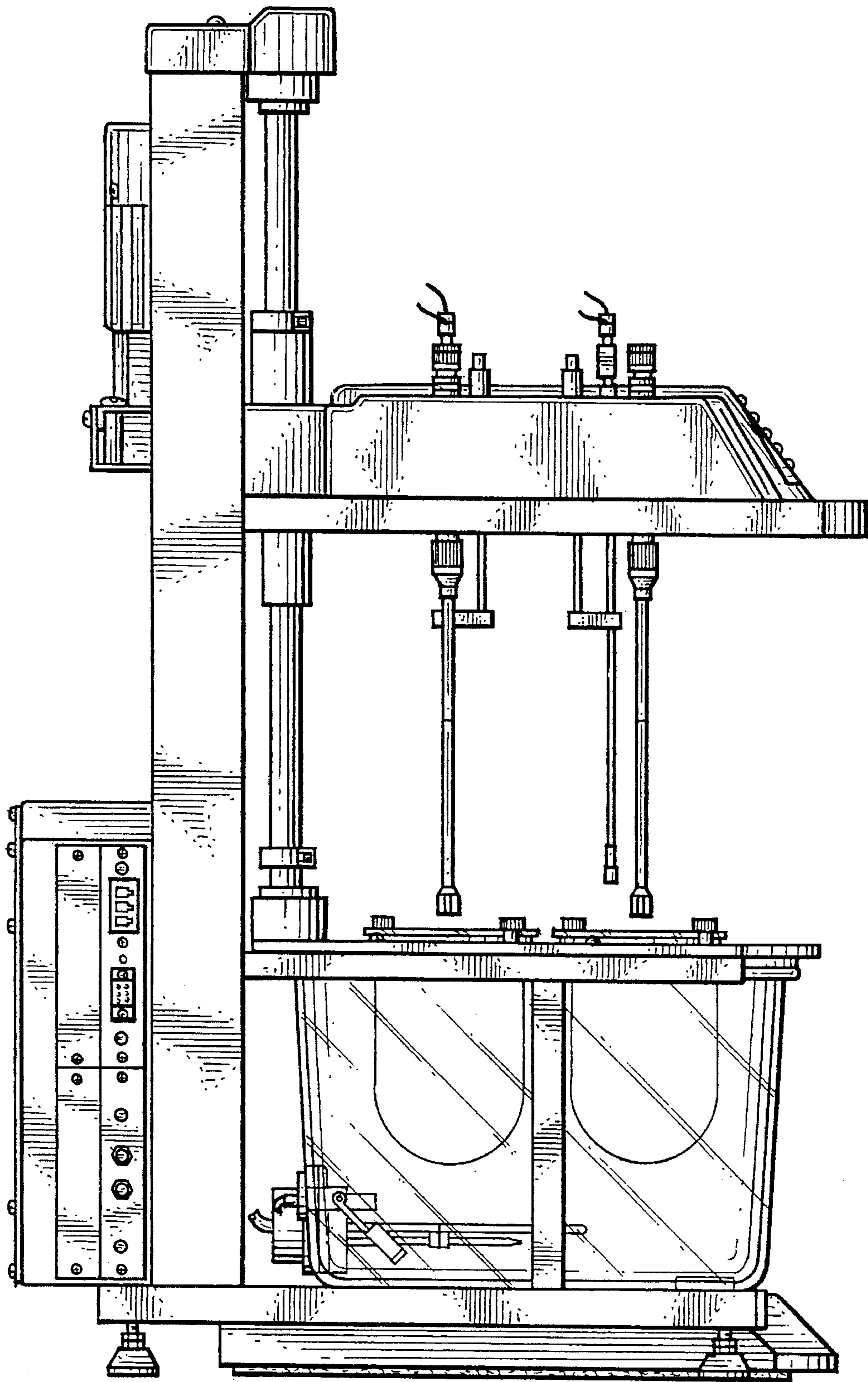


Fig. 3.

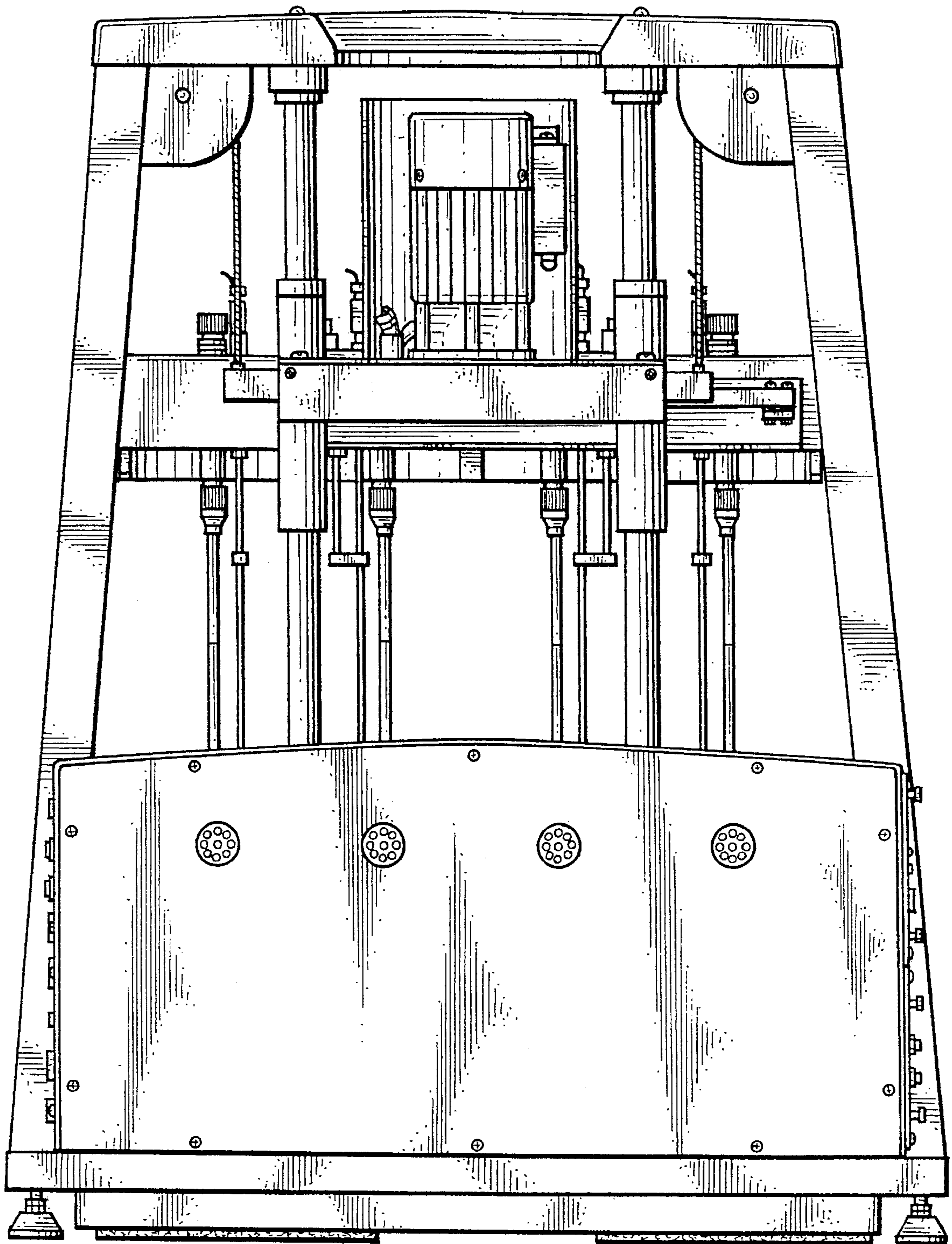


Fig. 4.

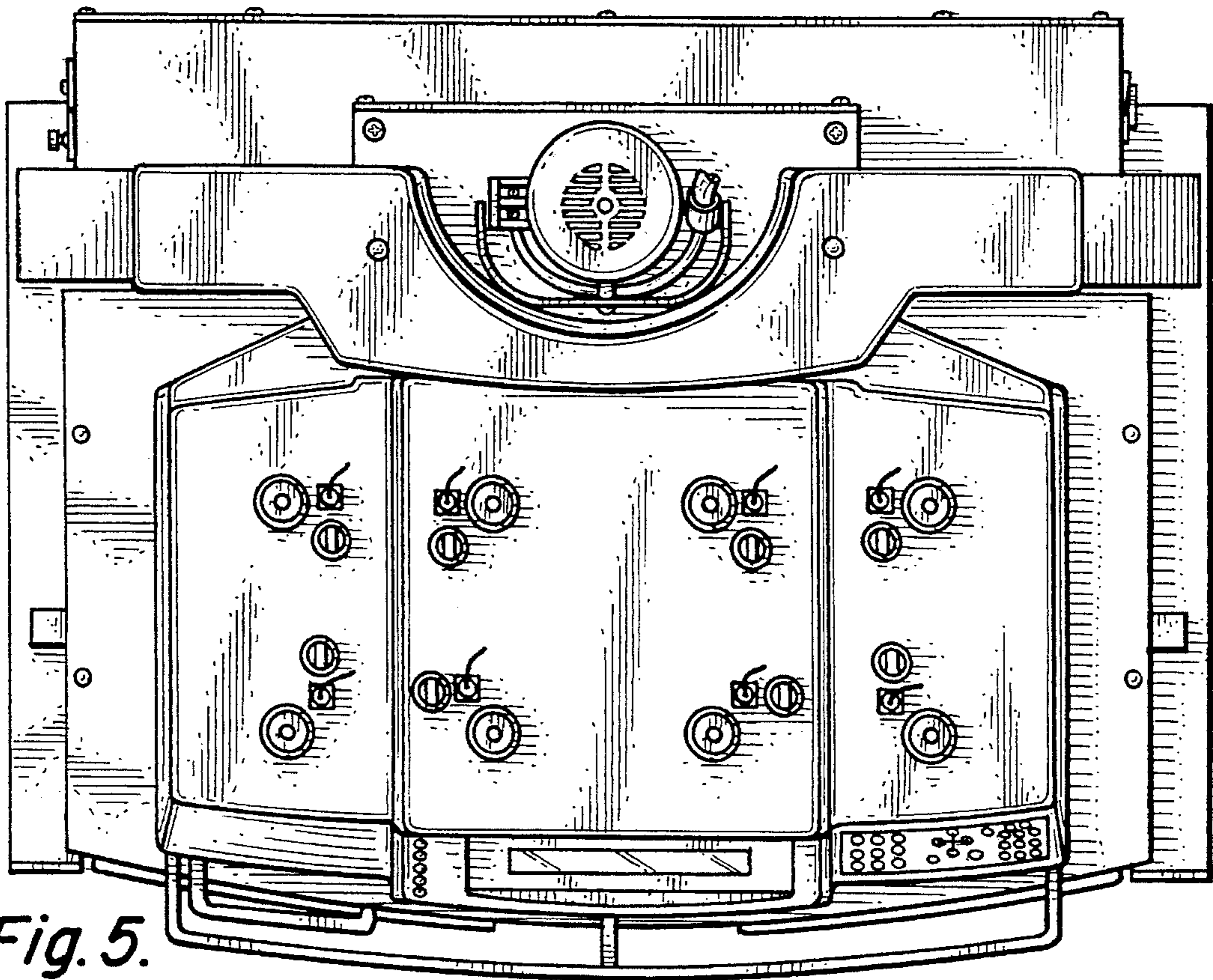


Fig. 5.

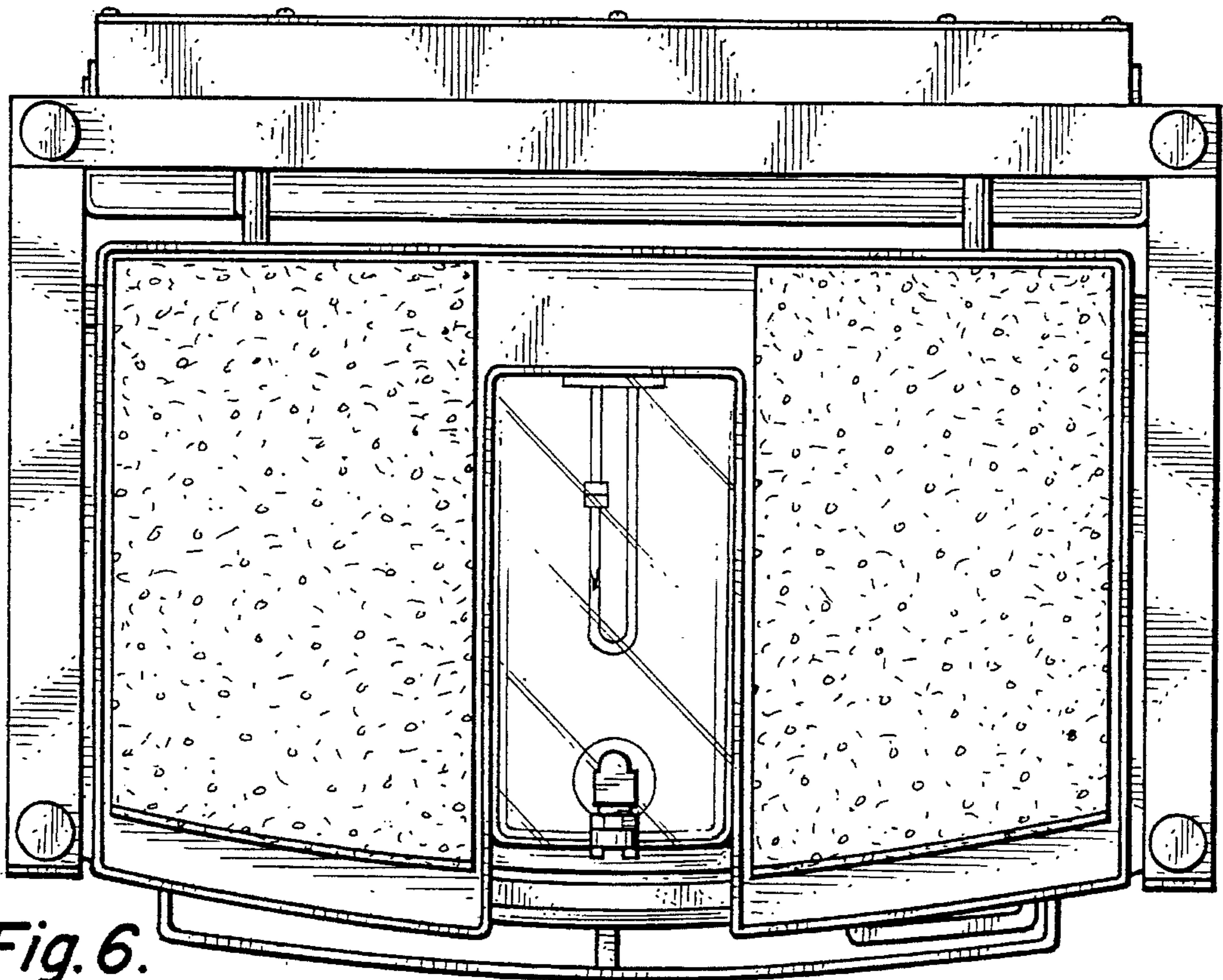


Fig. 6.