



US00D377143S

United States Patent [19]
Schnabel

[11] **Patent Number: Des. 377,143**
[45] **Date of Patent: **Jan. 7, 1997**

[54] **JOINING SPACER**

[75] Inventor: **Wolfgang Schnabel**, Mögglingen,
Germany

[73] Assignee: **Kunz GmbH & Co.**, Gschwend,
Germany

[**] Term: **14 Years**

[21] Appl. No.: **47,177**

[22] Filed: **Nov. 28, 1995**

[30] **Foreign Application Priority Data**

Jun. 28, 1995 [DE] Germany M9505341.7

[52] **U.S. Cl.** **D8/382; D8/380**

[58] **Field of Search** **D8/382, 358, 354,
D8/380; D25/199, 113; 52/677, 678, 685,
405, 379, 393, 396.04, 396.08, 396.09,
562, 563, 564, 565, 426, 428, 442, 438;
249/213, 216, 38**

[56] **References Cited**

U.S. PATENT DOCUMENTS

- D. 196,307 9/1963 Vance D8/358
- D. 279,164 6/1985 Mitchell et al. D8/380 X
- D. 279,352 6/1985 Mitchell et al. D8/380 X
- 2,413,268 12/1946 Unverferth 52/396.08 X
- 3,255,565 6/1966 Menzel 52/678
- 3,693,310 9/1972 Middleton 52/685
- 3,757,482 9/1973 Haeussler 52/405.3
- 4,598,519 7/1986 Reid 52/428 X
- 4,656,795 4/1987 Albrecht et al. 52/393 X
- 5,332,189 7/1994 Tseng 249/213 X
- 5,405,119 4/1995 Maguire 249/216 X

FOREIGN PATENT DOCUMENTS

0164330 4/1985 European Pat. Off. .

- 0179046 10/1985 European Pat. Off. .
- 0258205 7/1987 European Pat. Off. .
- 0537727 10/1992 European Pat. Off. .
- 669235 2/1989 Sweden .

OTHER PUBLICATIONS

kucospan™ form system "Dawning of the 3rd Millennium. With Advanced Building Technology, Quality in construction+cost-effectiveness+profitability." Brochure of Kunz GmbH Co., in English and in German Jul. 12, 1995.

kucospan™ forum system, Technical Manual, Abridged Version, of Kunz GmbH & Co., in English and in German Jul. 12, 1995.

Primary Examiner—Paula A. Mortimer

Attorney, Agent, or Firm—Gary M. Nath; Nath & Associates

[57] **CLAIM**

The ornamental design for a joining spacer, as shown and described.

DESCRIPTION

FIG. 1 is a front elevational view of a joining spacer showing my new design;

FIG. 2 is a front elevational view thereof with the top and bottom fastening plates removed for ease of illustration;

FIG. 3 is a top plan view of FIG. 2;

FIG. 4 is side elevational view thereof;

FIG. 5 is a bottom plan view of FIG. 4;

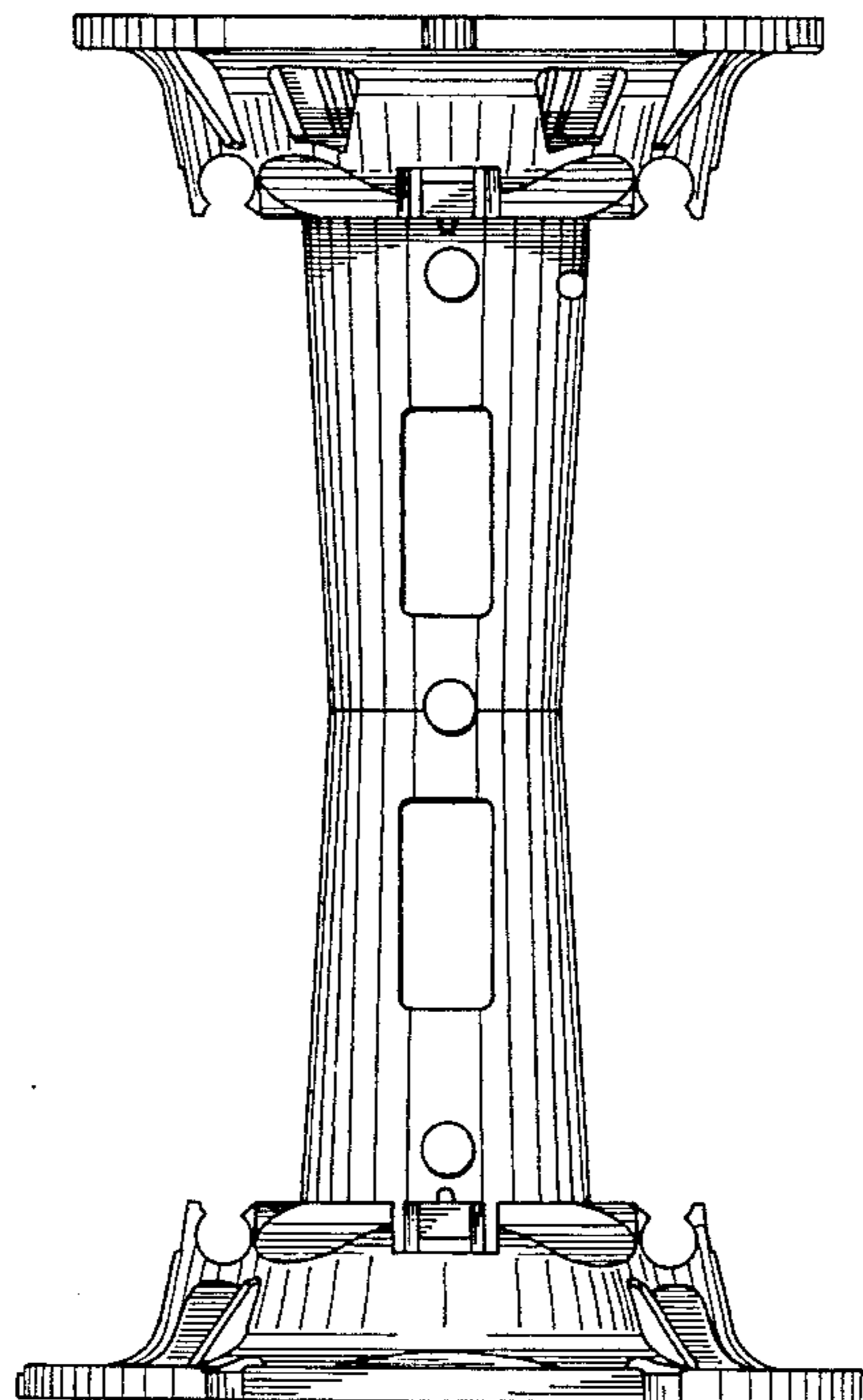
FIG. 6 is a front elevational view of the fastening plate shown separately for ease of illustration;

FIG. 7 is a rear elevational view of the fastening plate shown separately for ease of illustration;

FIG. 8 is a top plan view thereof; and,

FIG. 9 is a bottom plan view thereof.

1 Claim, 5 Drawing Sheets



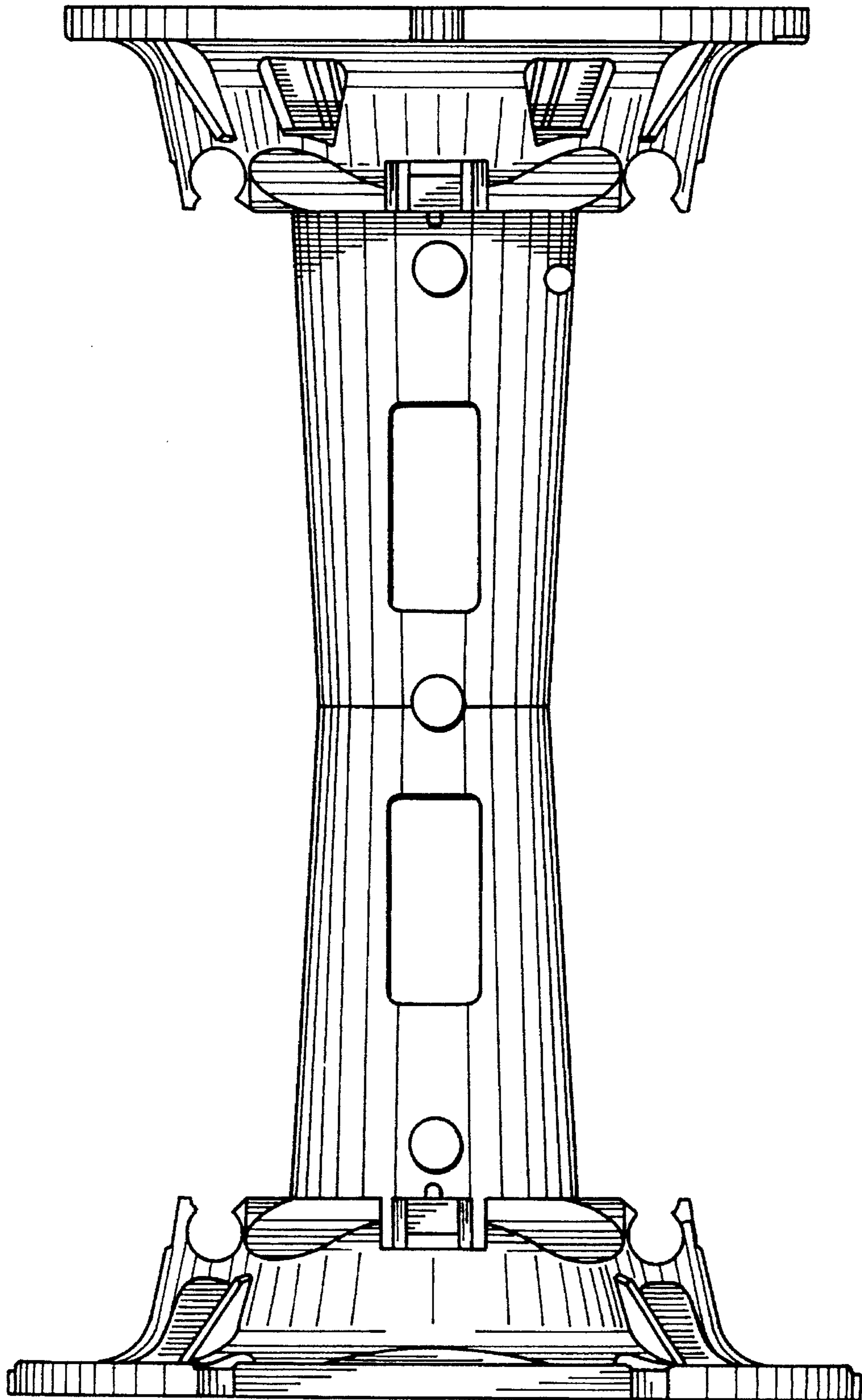


Fig. 1

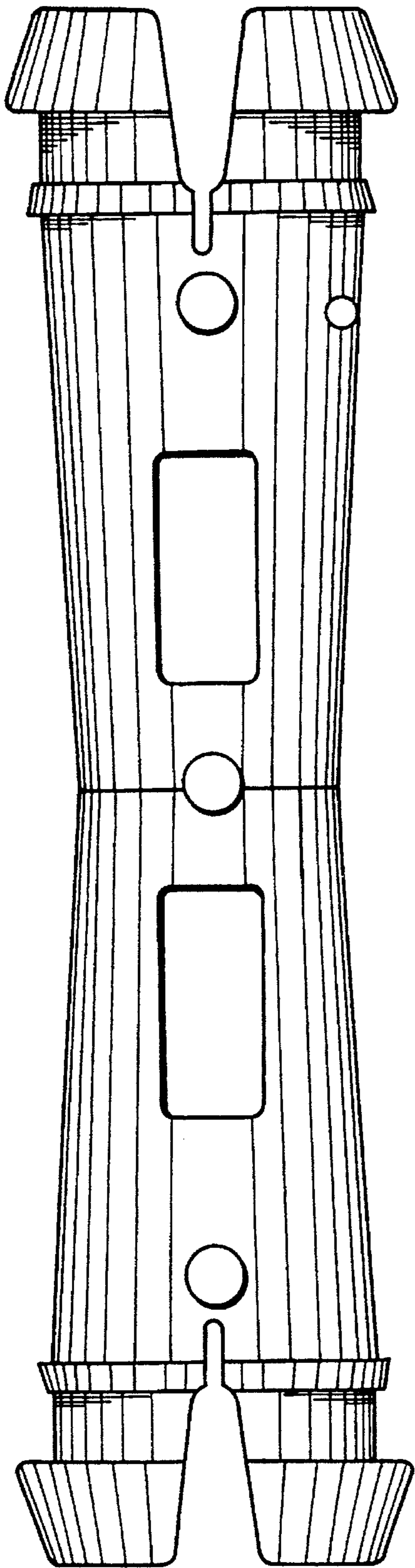


Fig. 2

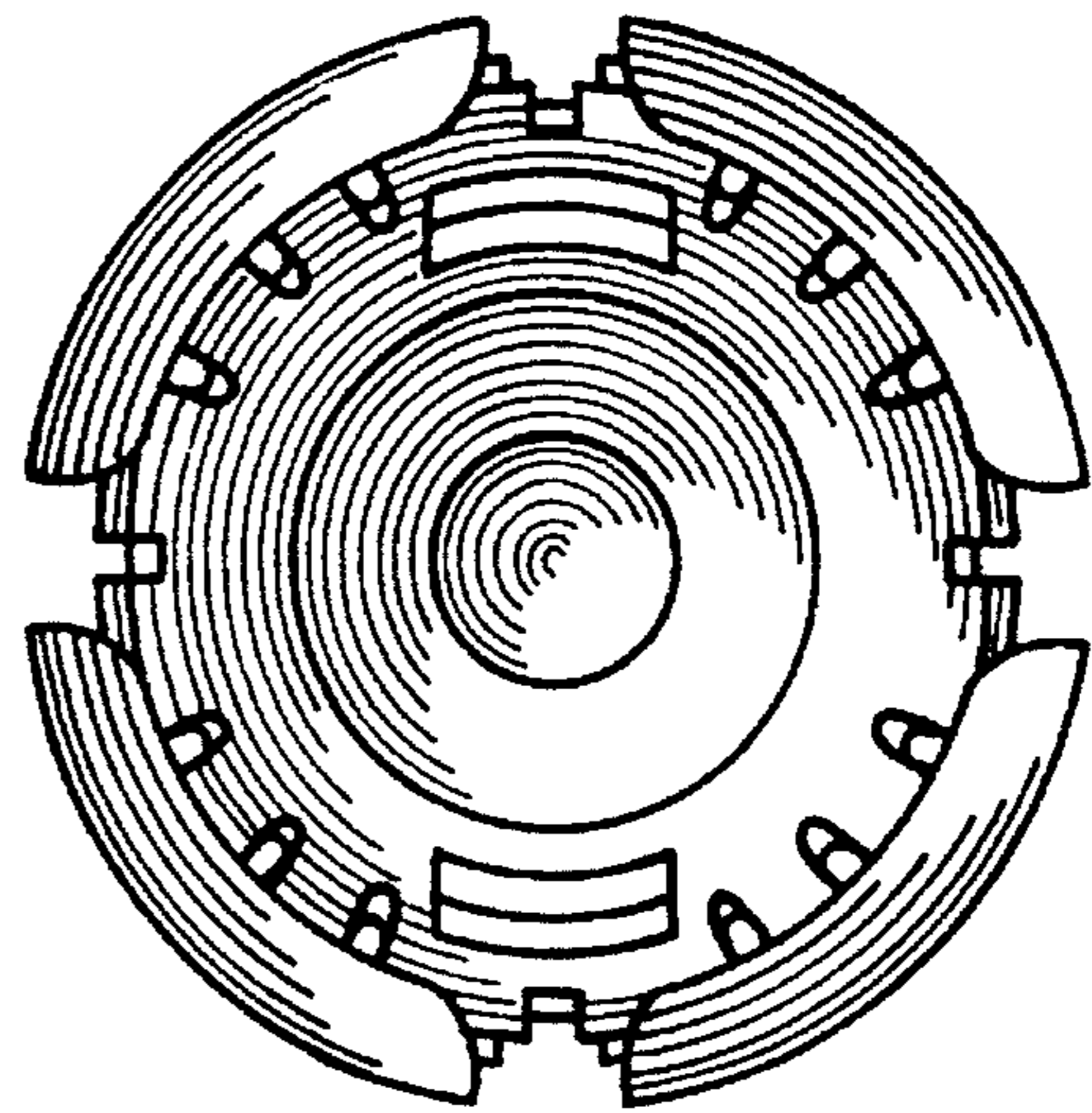


Fig. 3

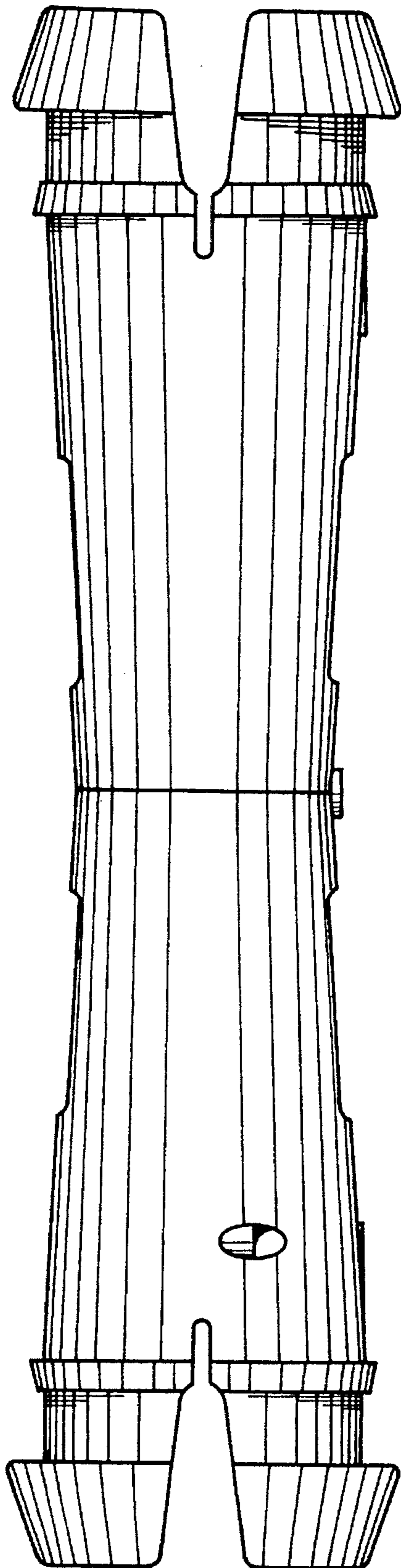


Fig. 4

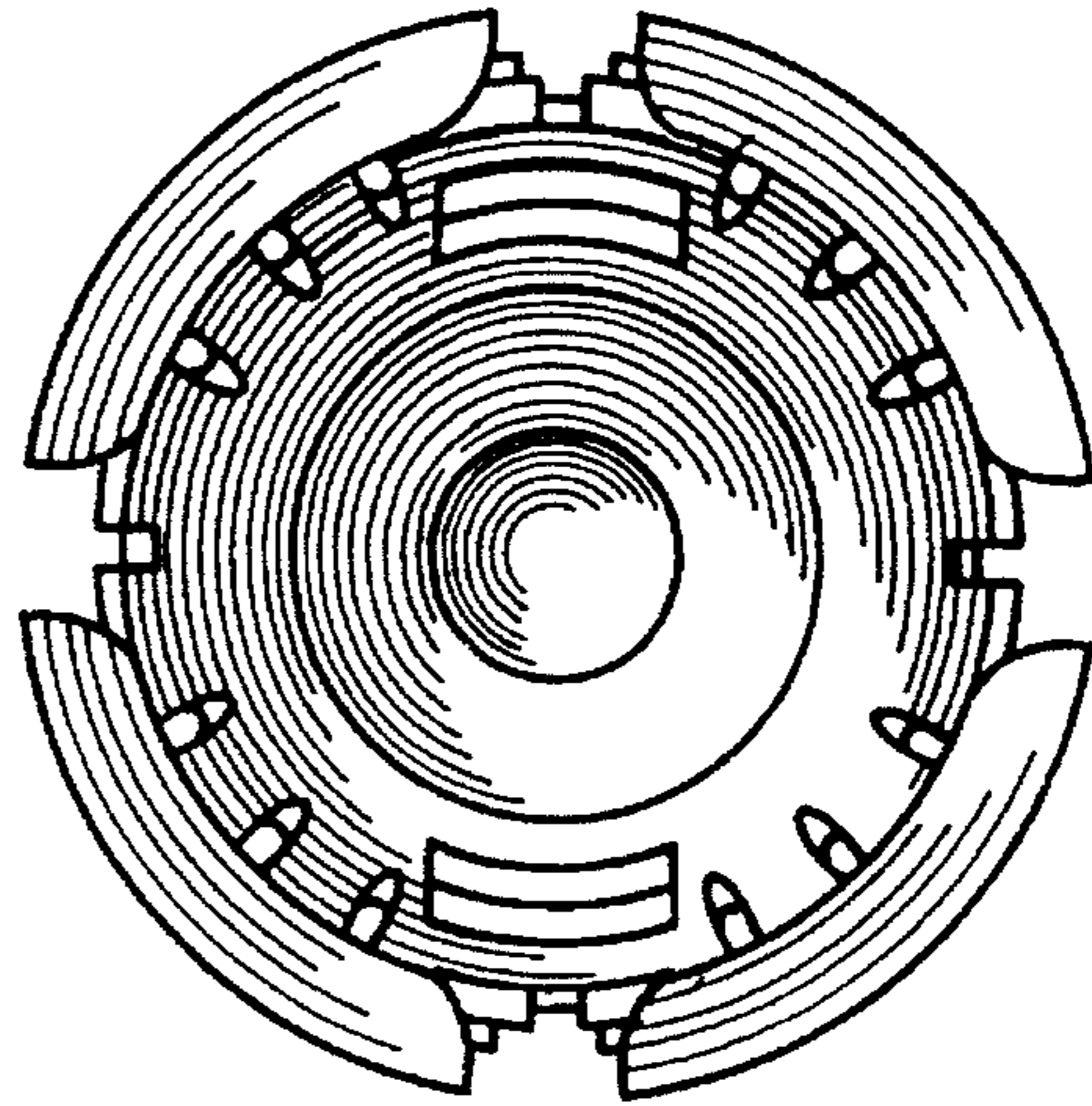


Fig. 5

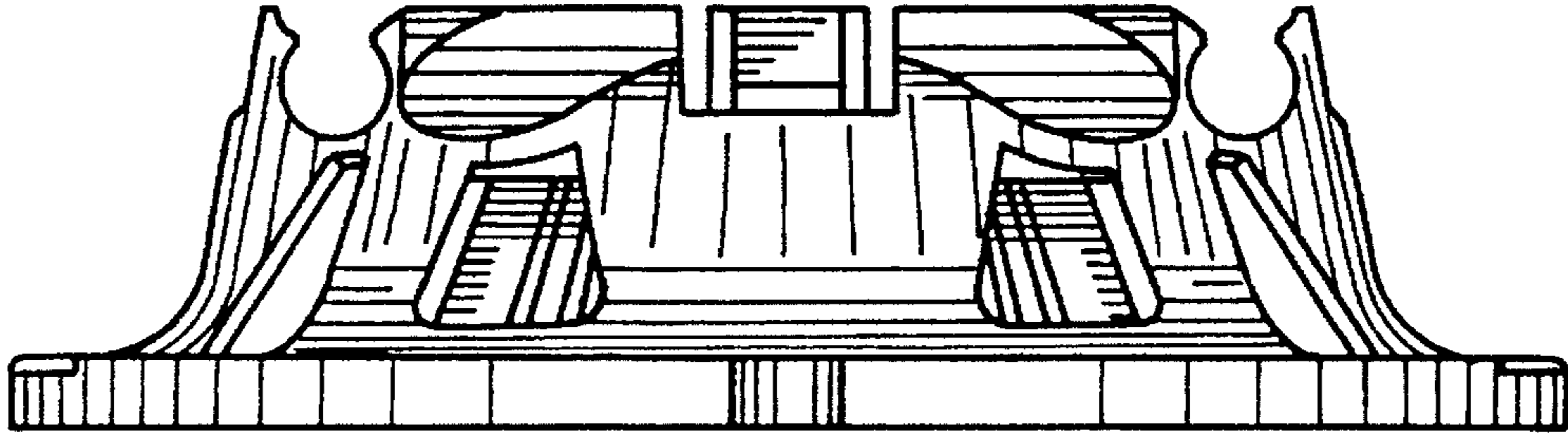


Fig. 6

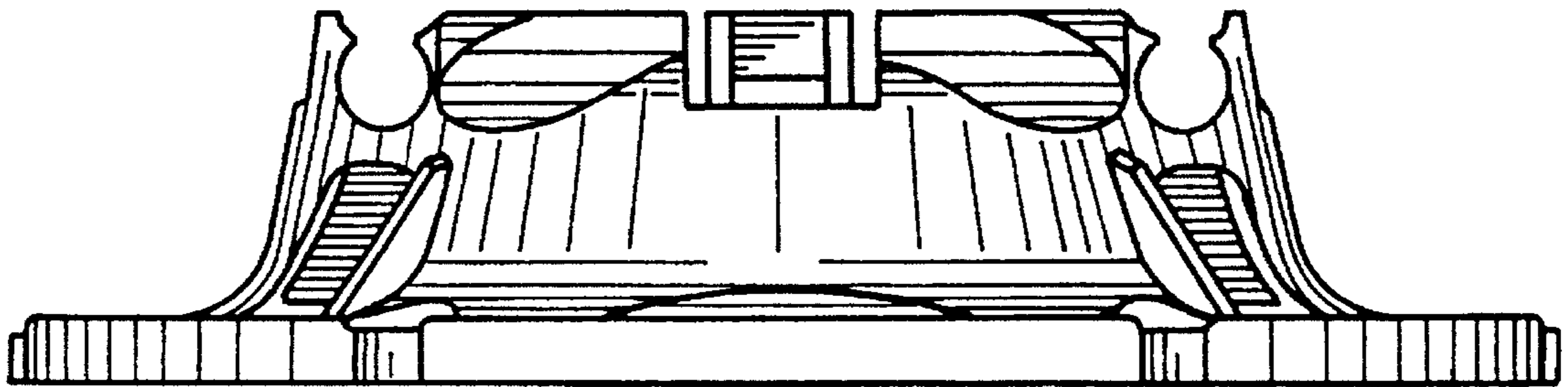


Fig. 7

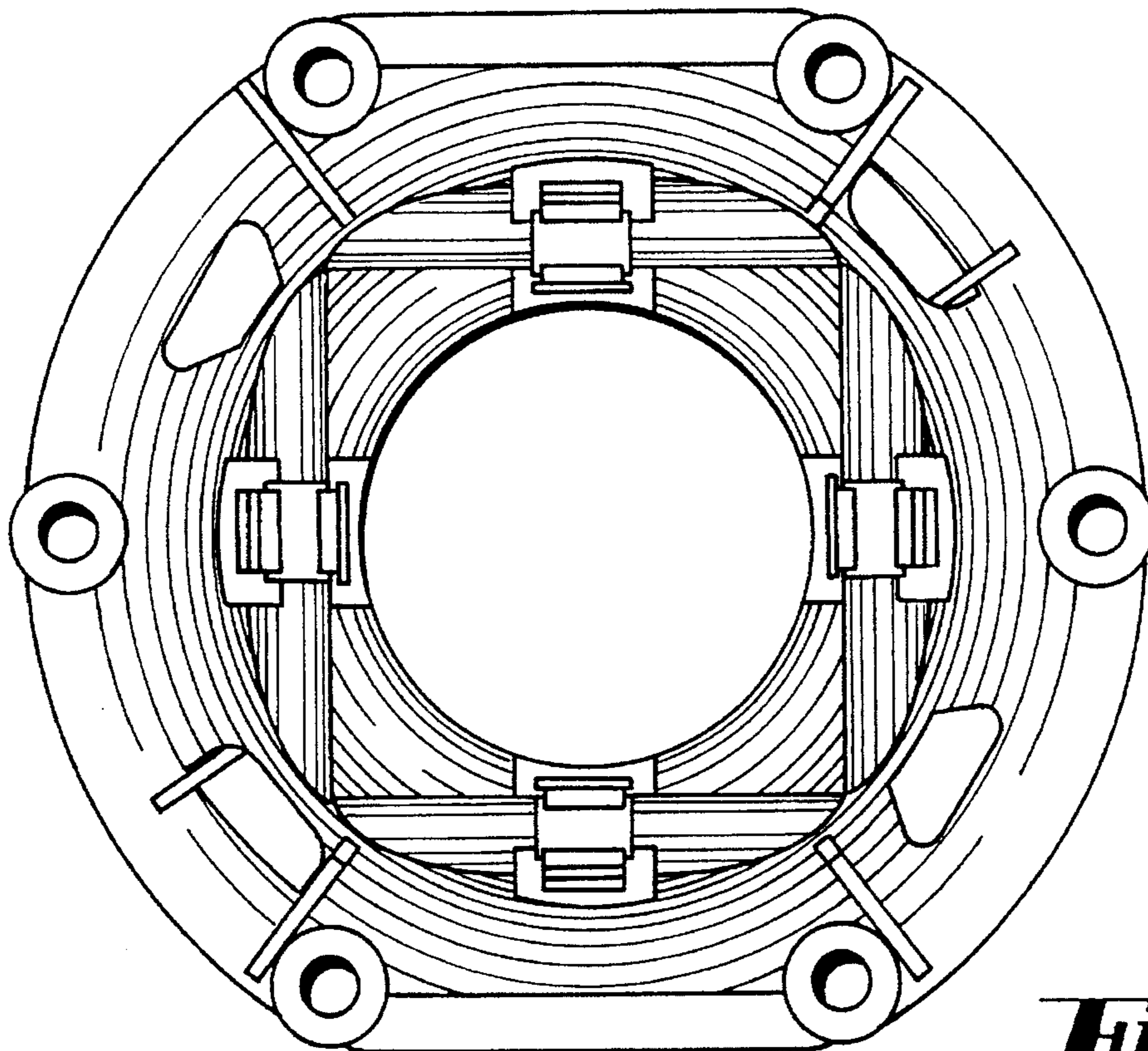


Fig. 8

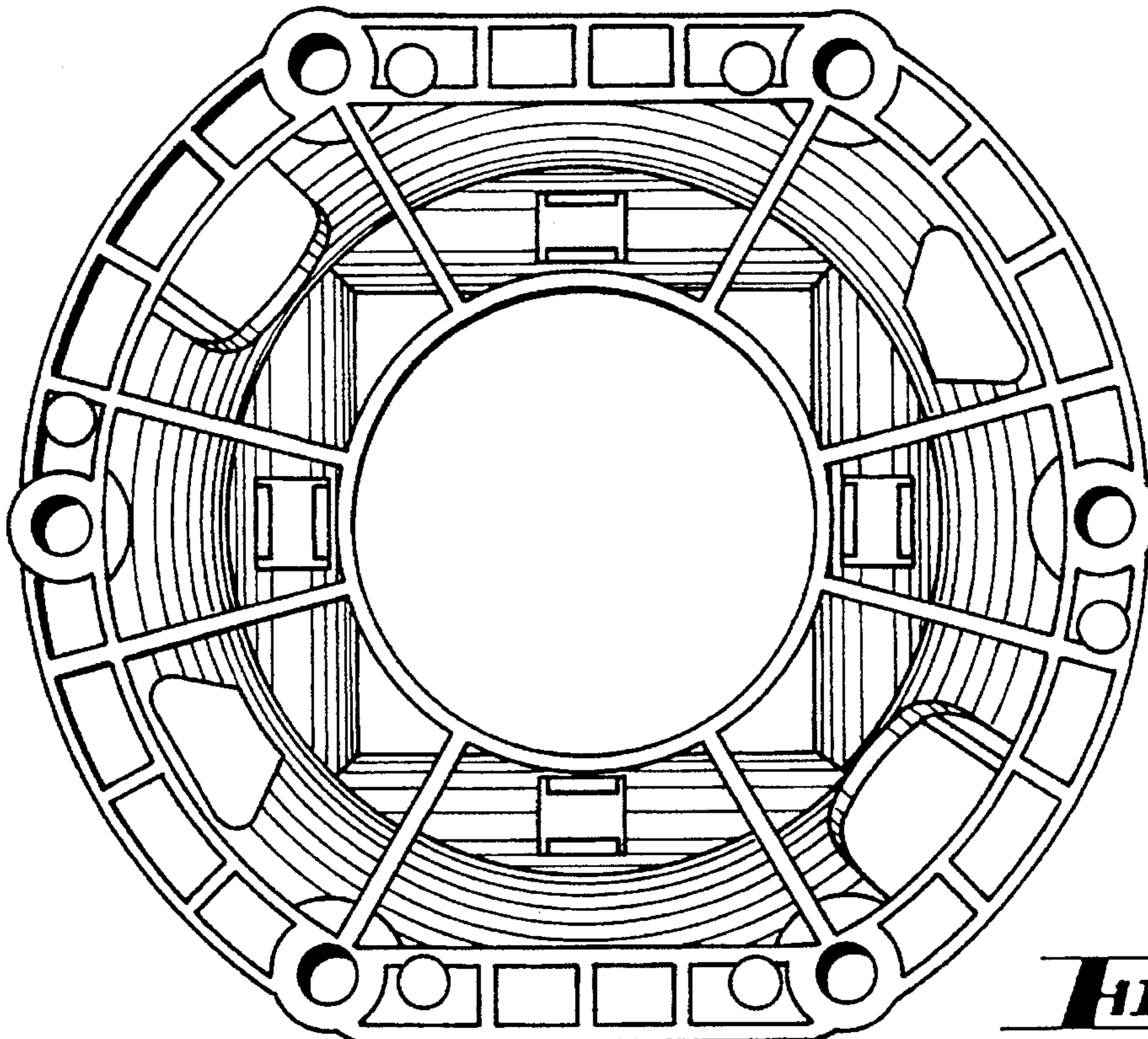


Fig. 9