



US00D377142S

United States Patent [19]
Yang

[11] **Patent Number:** **Des. 377,142**
[45] **Date of Patent:** ****Jan. 7, 1997**

[54] **MOORING**

[76] Inventor: **Ju-Hsun Yang**, 58, Ma Yuan West St.,
Taichung, Taiwan

[**] Term: **14 Years**

[21] Appl. No.: **41,791**

[22] Filed: **Jul. 24, 1995**

[52] U.S. Cl. **D8/356**

[58] Field of Search **D8/356; D12/317;**
114/230-231; 24/115 R

[56] **References Cited**

U.S. PATENT DOCUMENTS

| | | | |
|------------|---------|-------------------------|-----------|
| D. 227,216 | 6/1973 | Miller | D8/356 X |
| 2,990,801 | 7/1961 | Ash | 114/230 X |
| 4,825,797 | 5/1989 | Poldervaart et al. | 114/230 |
| 4,907,996 | 3/1990 | Poldervaart | 114/230 X |
| 5,052,322 | 10/1991 | Poldervaart et al. | 114/230 |

OTHER PUBLICATIONS

Sailboat and Equipment Directory, 1984, p. 35, winch item
A at top right corner of page.

Primary Examiner—Holly H. Baynham

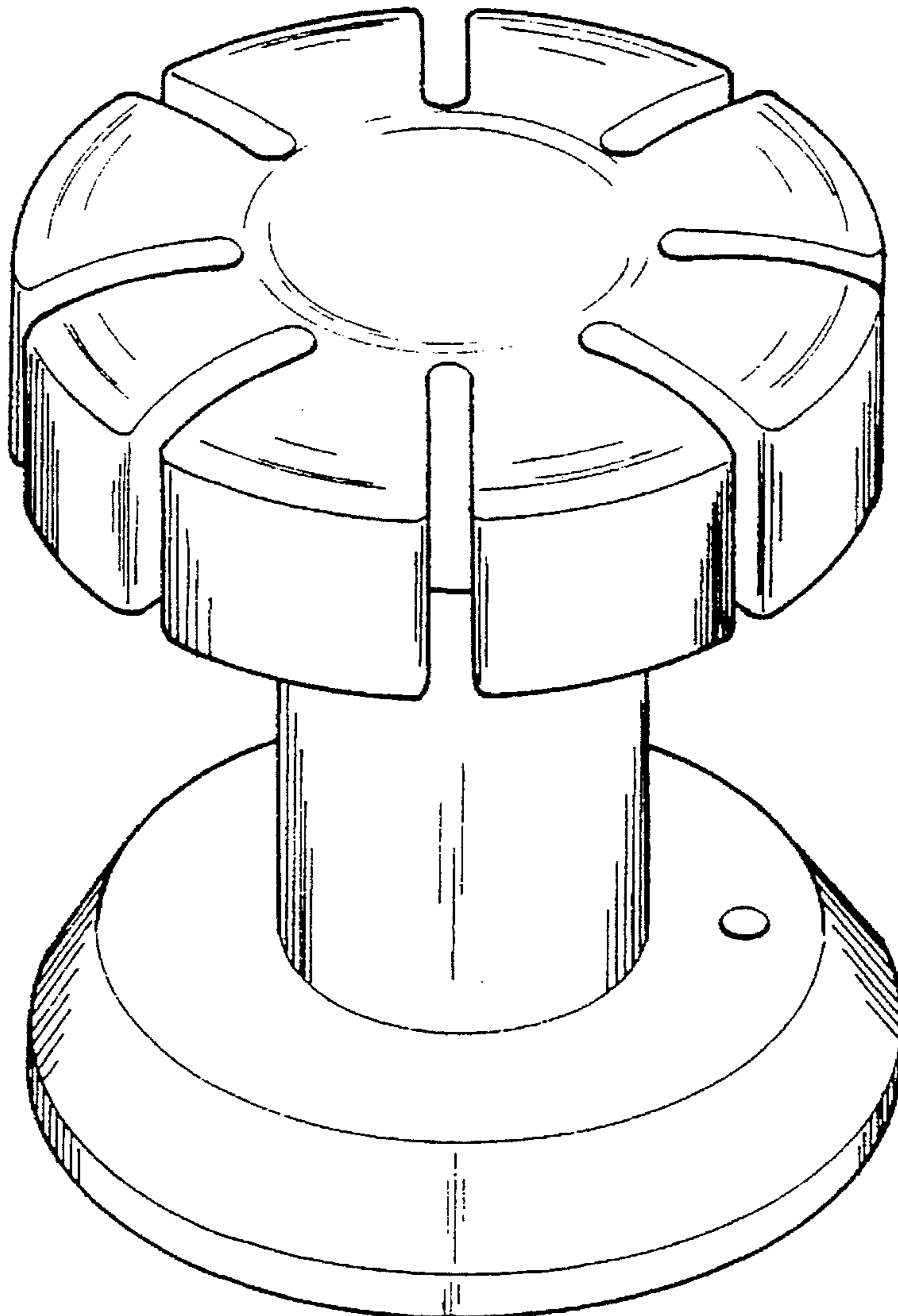
[57] **CLAIM**

The ornamental design for a mooring, as shown and
described.

DESCRIPTION

FIG. 1 is a perspective view of a mooring showing my new
design;
FIG. 2 is a front elevational view thereof;
FIG. 3 is a left side elevational view thereof;
FIG. 4 is a right side elevational view thereof;
FIG. 5 is a rear elevational view thereof;
FIG. 6 is a top plan view thereof; and,
FIG. 7 is a bottom plan view thereof.

1 Claim, 7 Drawing Sheets



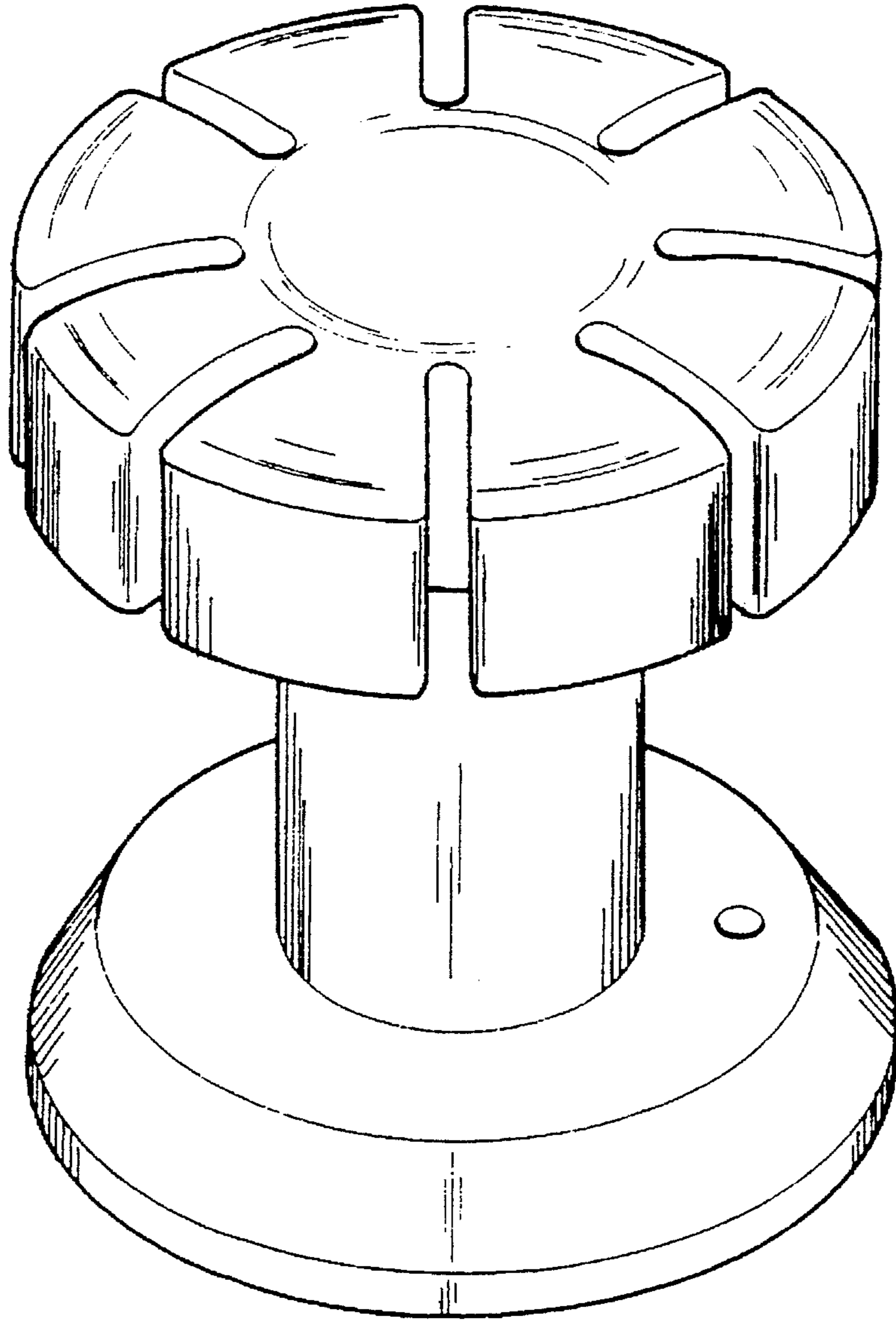


FIG. 1

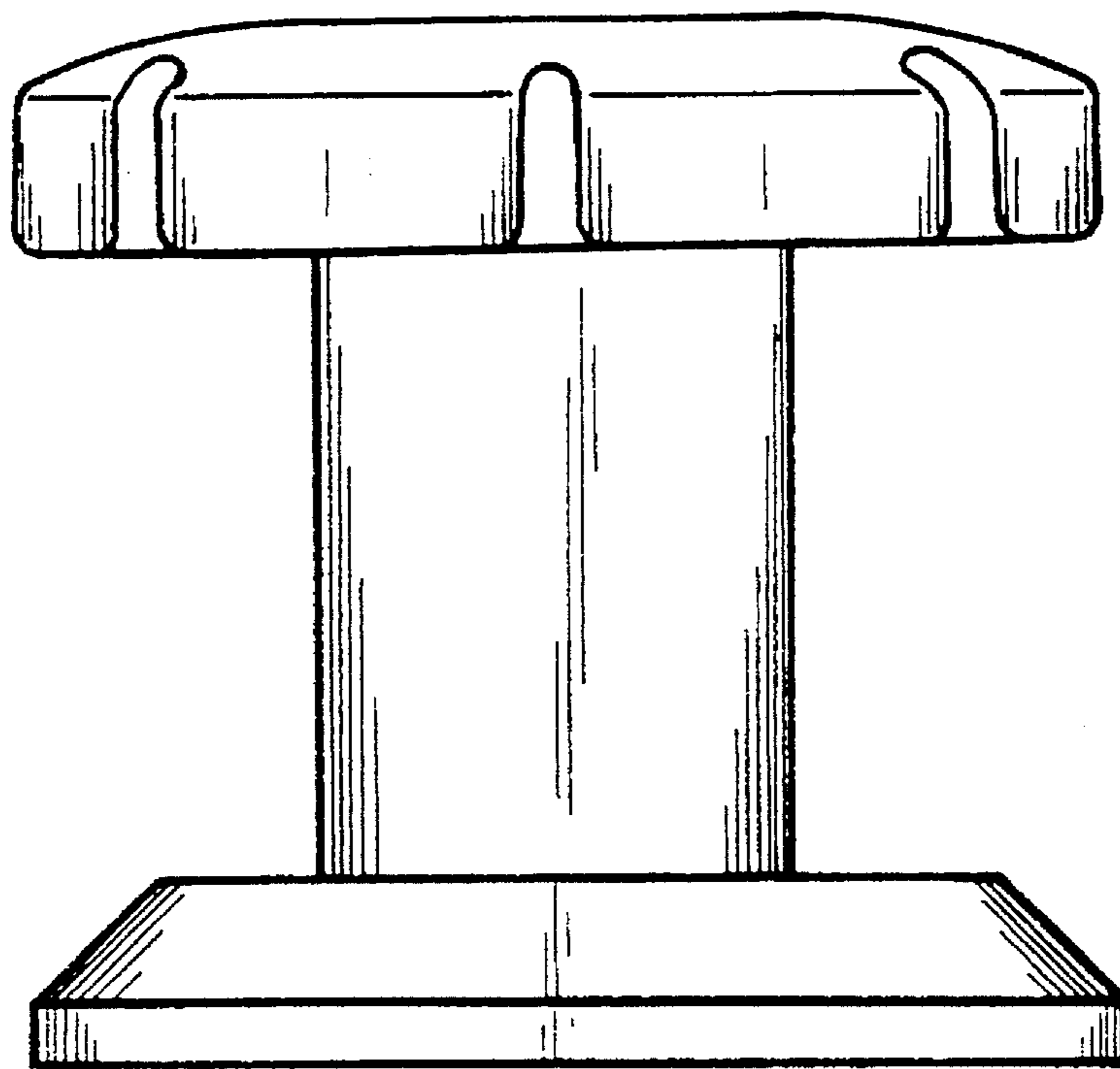


FIG. 2

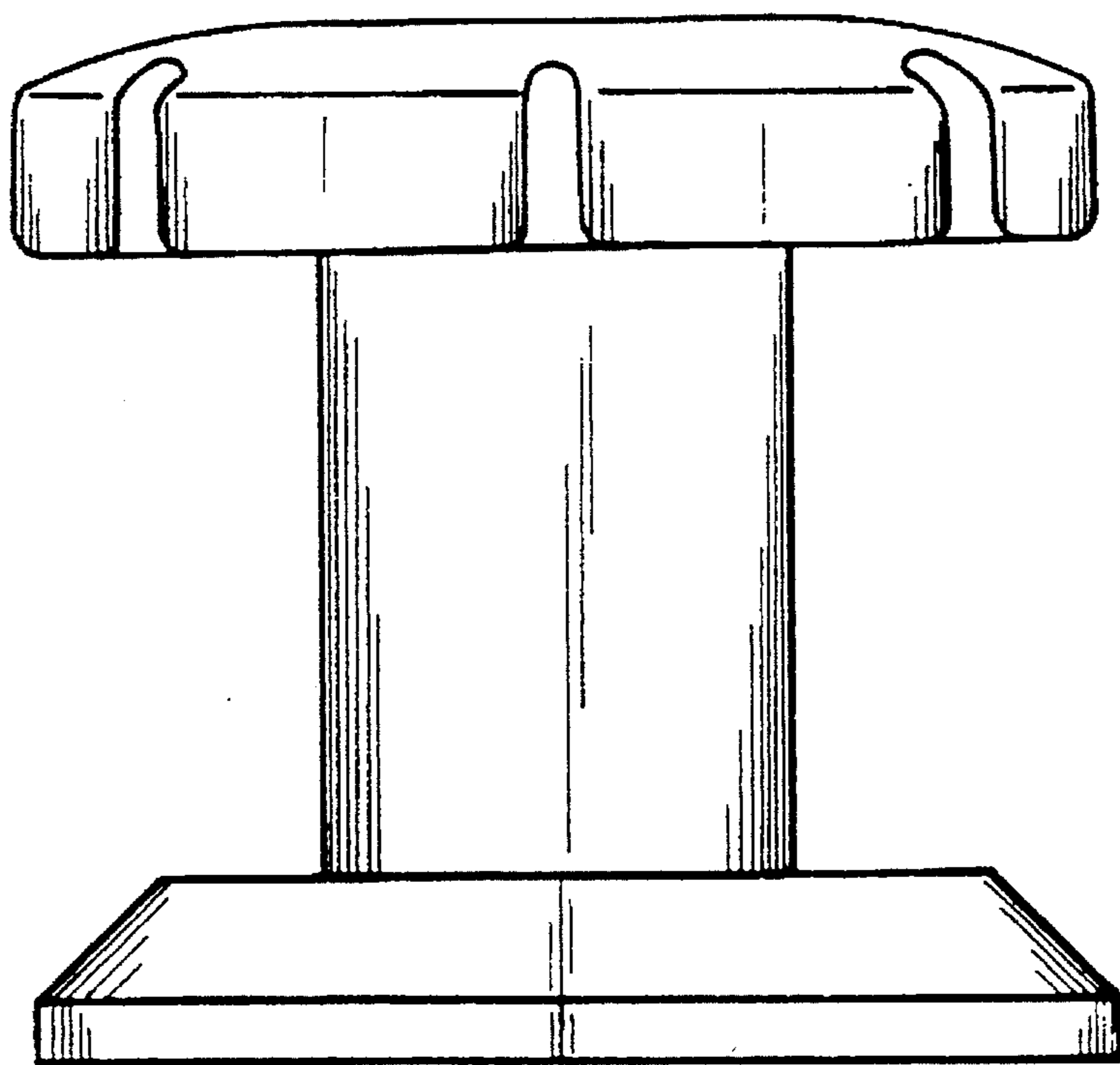


FIG. 3

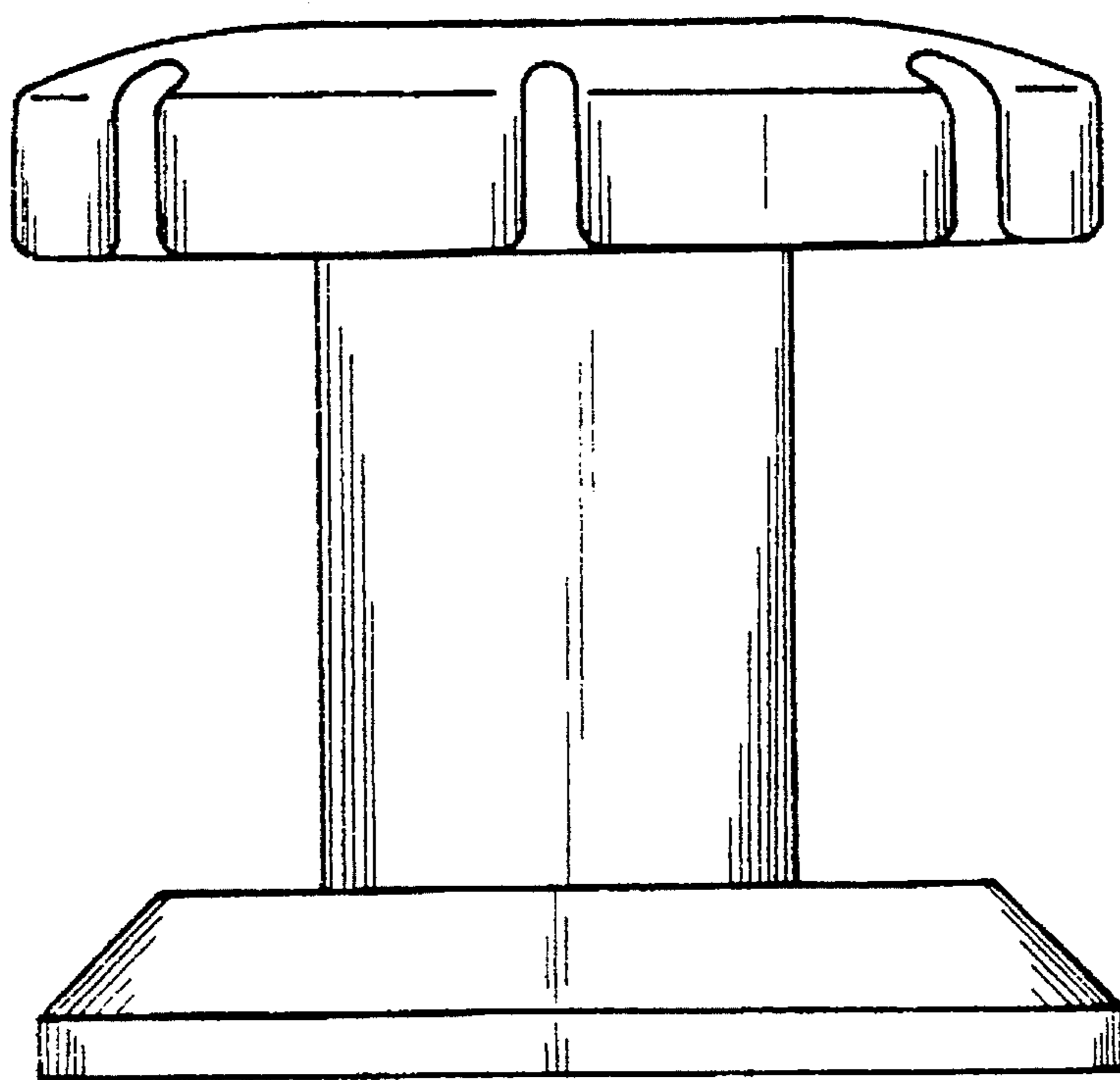


FIG. 4

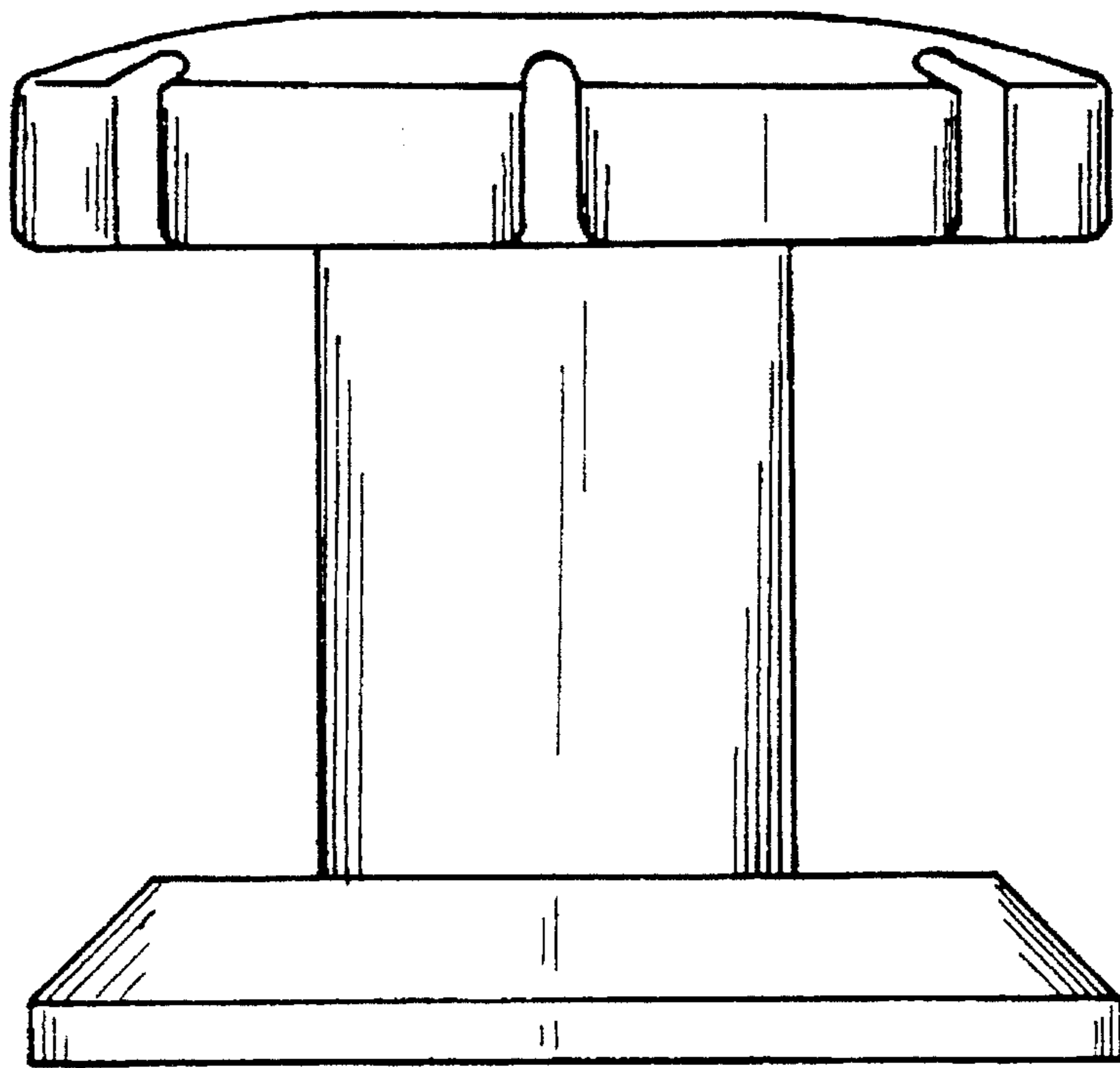
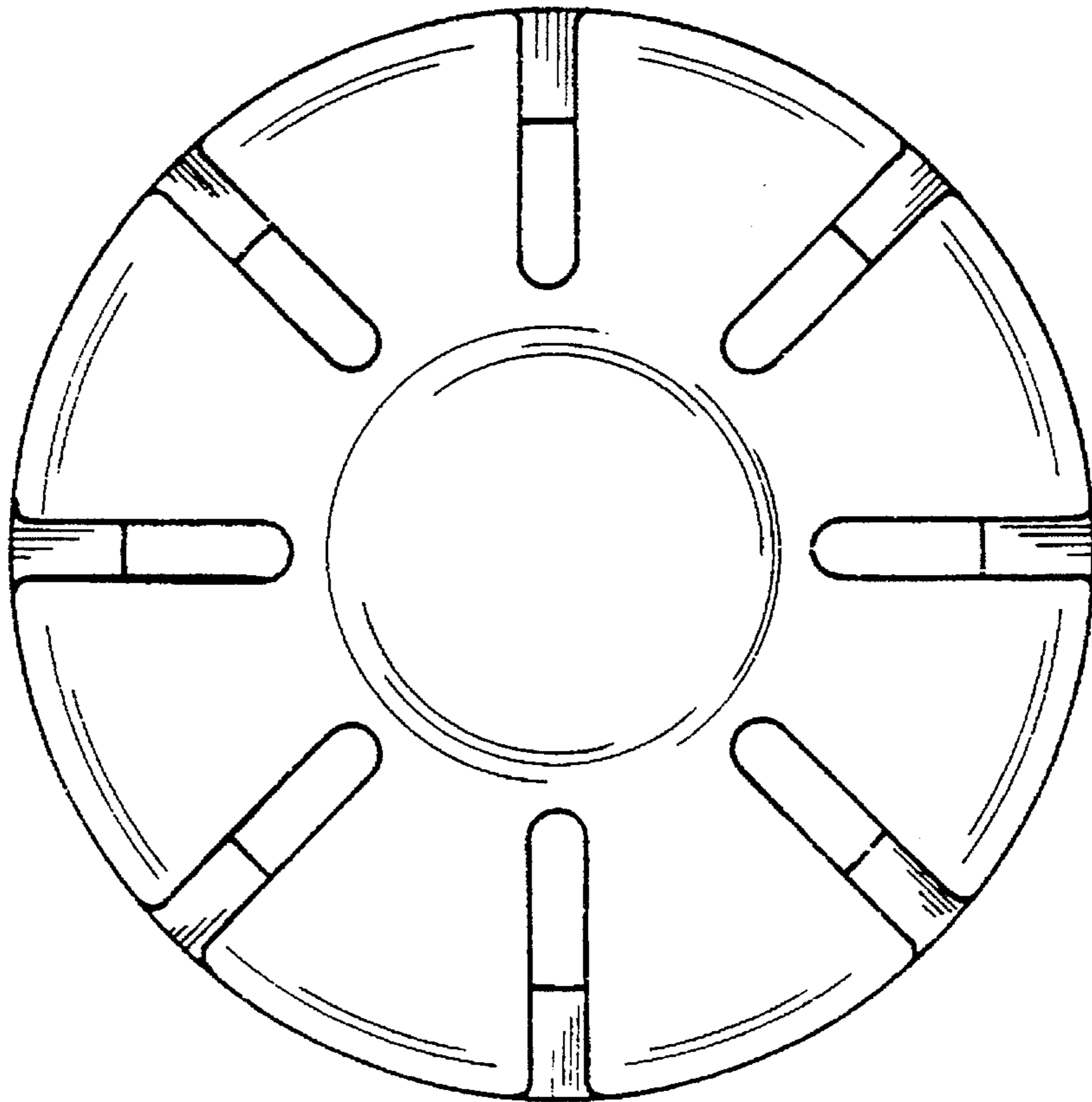


FIG. 5



F I G. 6

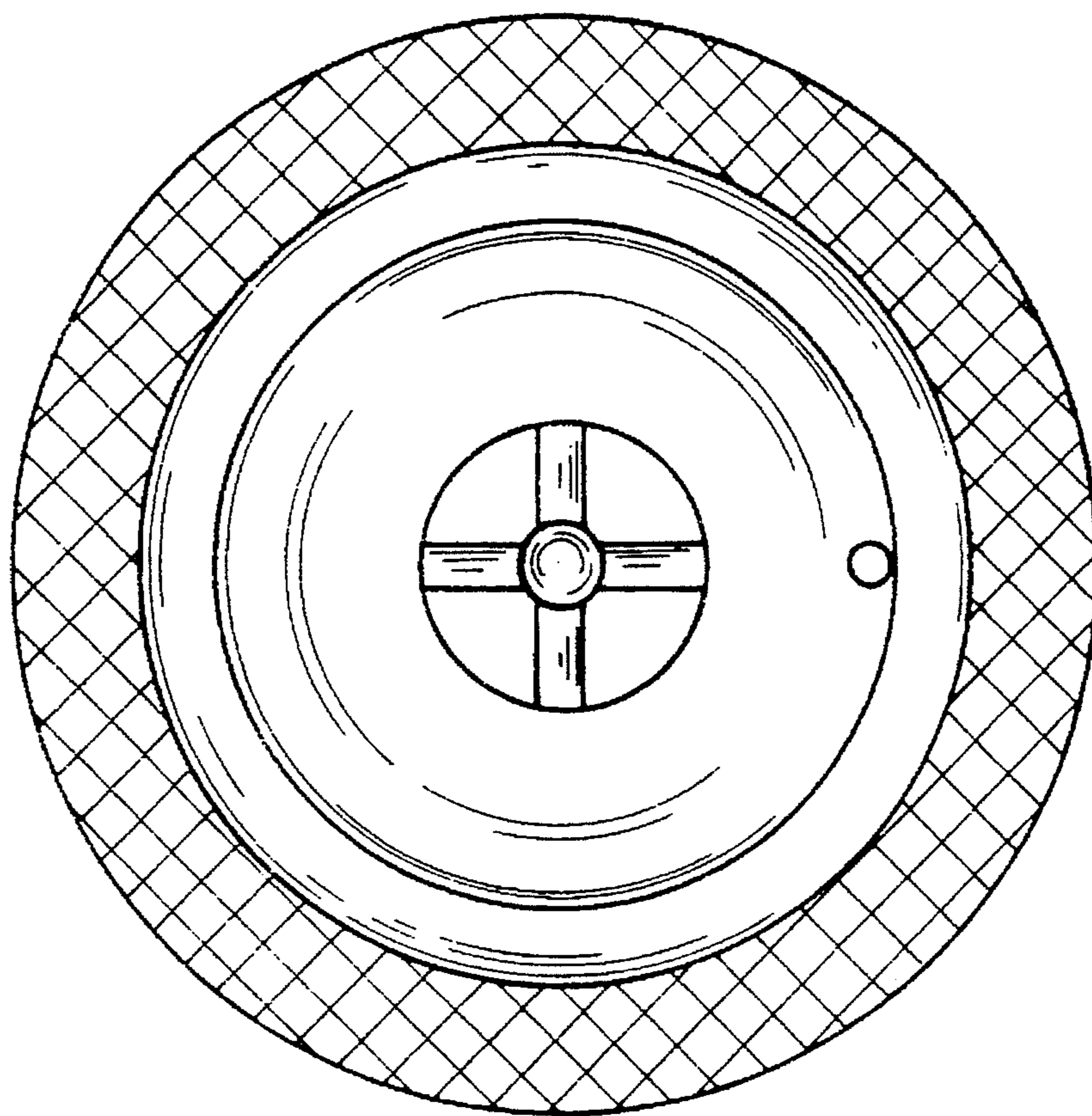


FIG. 7