



US00D377139S

United States Patent [19]
Bruns

[11] **Patent Number:** **Des. 377,139**
[45] **Date of Patent:** ****Jan. 7, 1997**

[54] **MATERIAL PICK UP FINGER**
[76] Inventor: **Mark W. Bruns**, P.O. Box 33, Gibbon,
Minn. 55335
[**] Term: **14 Years**
[21] Appl. No.: **42,452**
[22] Filed: **Aug. 10, 1995**
[52] U.S. Cl. **D8/14**
[58] Field of Search D8/14, 15, 21,
D8/22; 294/25, 26; 198/518, 693, 692,
613; D15/28, 29, 17

3,215,259 11/1965 Evans 198/518
3,282,408 11/1966 Lohrentz .
3,411,615 11/1968 Schwalm .
3,595,381 7/1971 Cordell 198/693
3,624,775 11/1971 Gaeddert 198/693
3,948,399 4/1976 Michaels 198/518 X
4,271,956 6/1981 Hutchinson et al. .
4,539,801 9/1985 Field 56/364
4,778,181 10/1988 Arney 294/26 X
5,293,730 3/1994 Bich et al. 56/10.2 G
5,366,067 11/1994 Courtois et al. 198/518

Primary Examiner—Prabhakar G. Deshmukh
Attorney, Agent, or Firm—Burd, Bartz & Gutenkauf

[56] **References Cited**

U.S. PATENT DOCUMENTS

D. 243,207 1/1977 Van der Lely D15/29
D. 248,557 7/1978 Gobin et al. D15/7
D. 300,223 3/1989 Livingstone D15/29
D. 302,162 7/1989 Rutherford D15/28
D. 348,314 6/1994 Schoenheit D8/14 X
D. 358,751 5/1995 Kemp et al. D8/14 X
2,286,095 6/1942 Innes 56/364
2,633,231 3/1953 Pilcher 198/693
2,644,292 7/1953 Oberholtz et al. 56/364
2,701,634 2/1955 Carroll 198/518
2,748,921 6/1956 White 198/518
2,849,103 8/1958 Scheffter et al. 198/513
3,142,375 7/1964 Luke 198/692

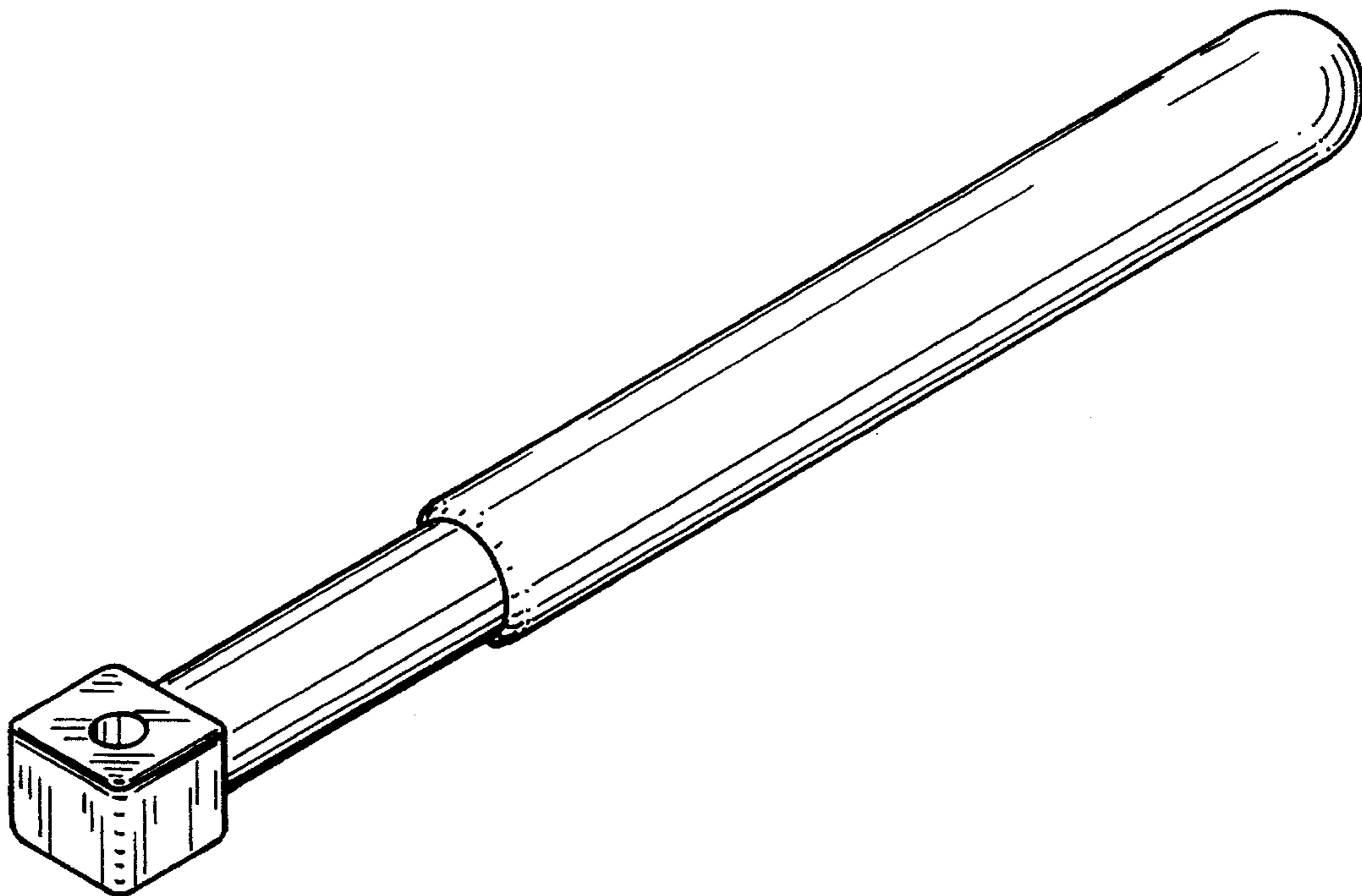
[57] **CLAIM**

The ornamental design for a material pick up finger, as shown and described.

DESCRIPTION

FIG. 1 is a perspective view of the material pick up finger of my new design;
FIG. 2 is a top plan view thereof, the bottom plan view is a mirror image thereof;
FIG. 3 is a side elevational view thereof, the opposite side elevational view is a mirror image thereof;
FIG. 4 is an end elevational view of the left end of FIG. 1; and,
FIG. 5 is an end elevational view of the right end of FIG. 1.

1 Claim, 1 Drawing Sheet



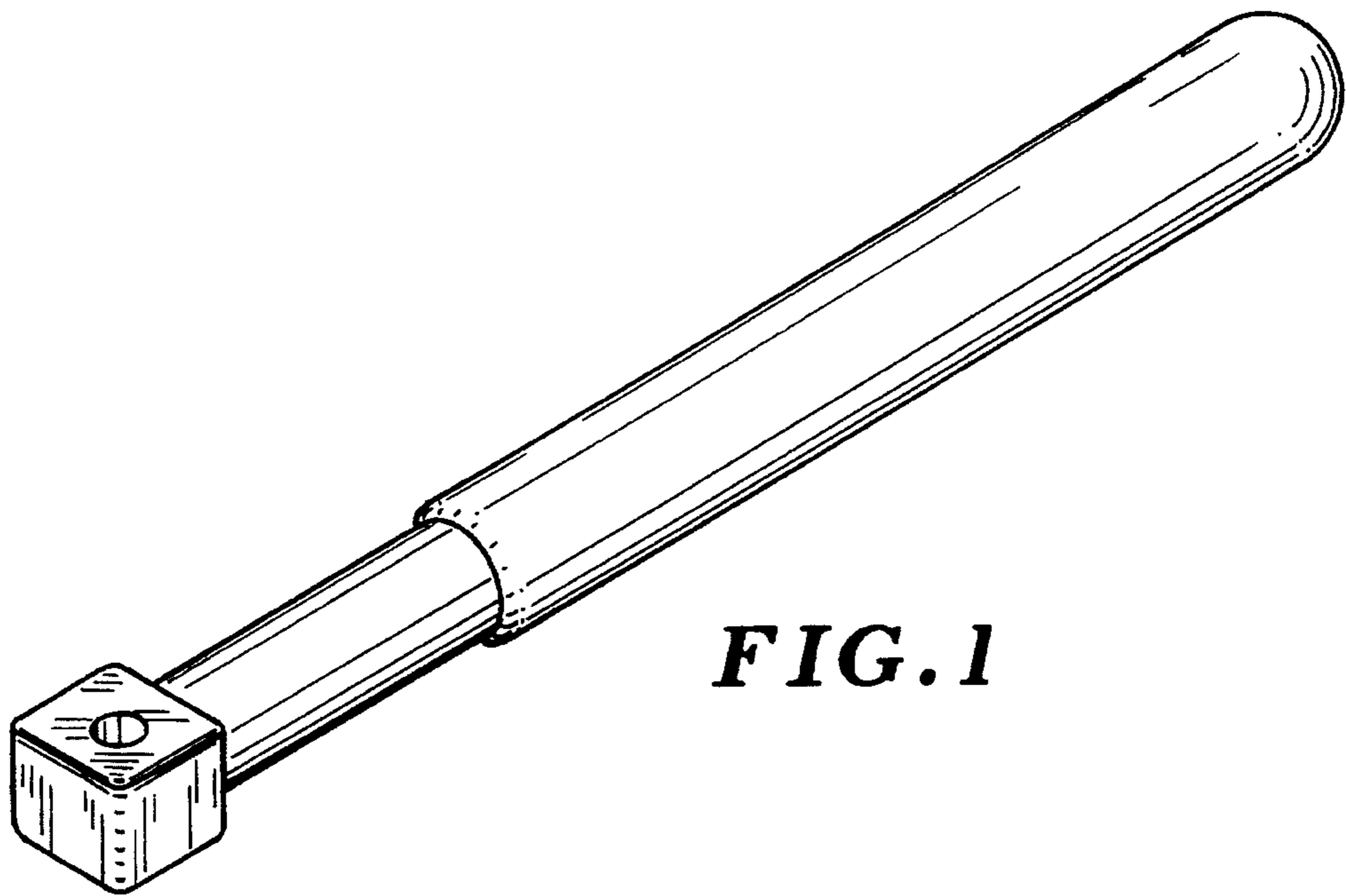


FIG. 1

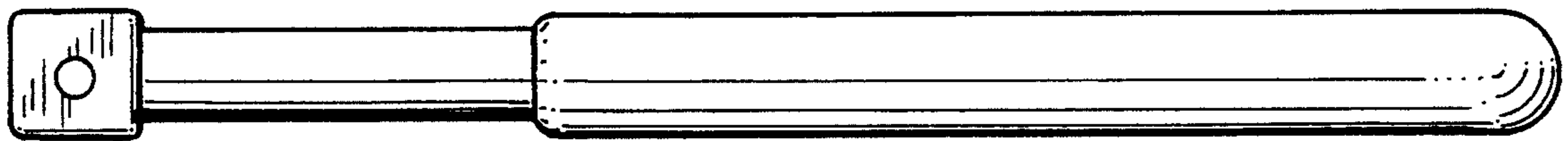


FIG. 2

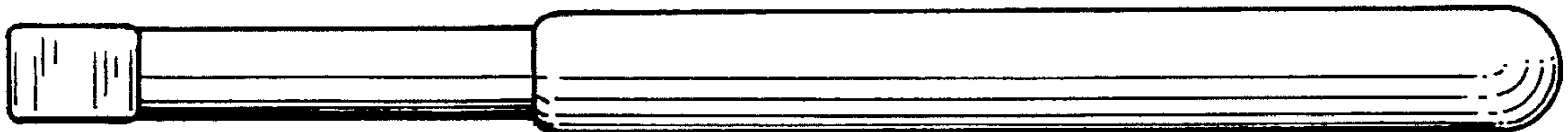


FIG. 3



FIG. 4



FIG. 5