



US00D377137S

# United States Patent [19]

[11] Patent Number: **Des. 377,137**

Hurst

[45] Date of Patent: **\*\*Jan. 7, 1997**

[54] **DRINK CONTAINER IN THE SHAPE OF AN AUTOMOBILE**

D. 350,283 9/1994 Lenterman ..... D9/308  
D. 351,761 10/1994 Feer ..... D7/511 X  
D. 361,244 8/1995 Thompson ..... D7/511 X

[75] Inventor: **Dwayne S. Hurst**, Lutz, Fla.

### OTHER PUBLICATIONS

[73] Assignee: **Palomino Sports, Inc.**, Odessa, Fla.

Car Cup (O), Time Magazine Aug. 24, 1992.

[\*\*] Term: **14 Years**

*Primary Examiner*—M. N. Pandozzi

*Attorney, Agent, or Firm*—C. Douglas McDonald, Jr. & Associates, P.A.

[21] Appl. No.: **49,307**

[22] Filed: **Jan. 22, 1996**

### [57] CLAIM

[52] U.S. Cl. .... **D7/515; D7/536**

The ornamental design for a drink container in the shape of an automobile, as shown.

[58] Field of Search ..... D7/534, 509, 301, D7/511, 510, 506, 507, 514, 515, 516, 533, 536, 535, 623; D9/307, 308

### DESCRIPTION

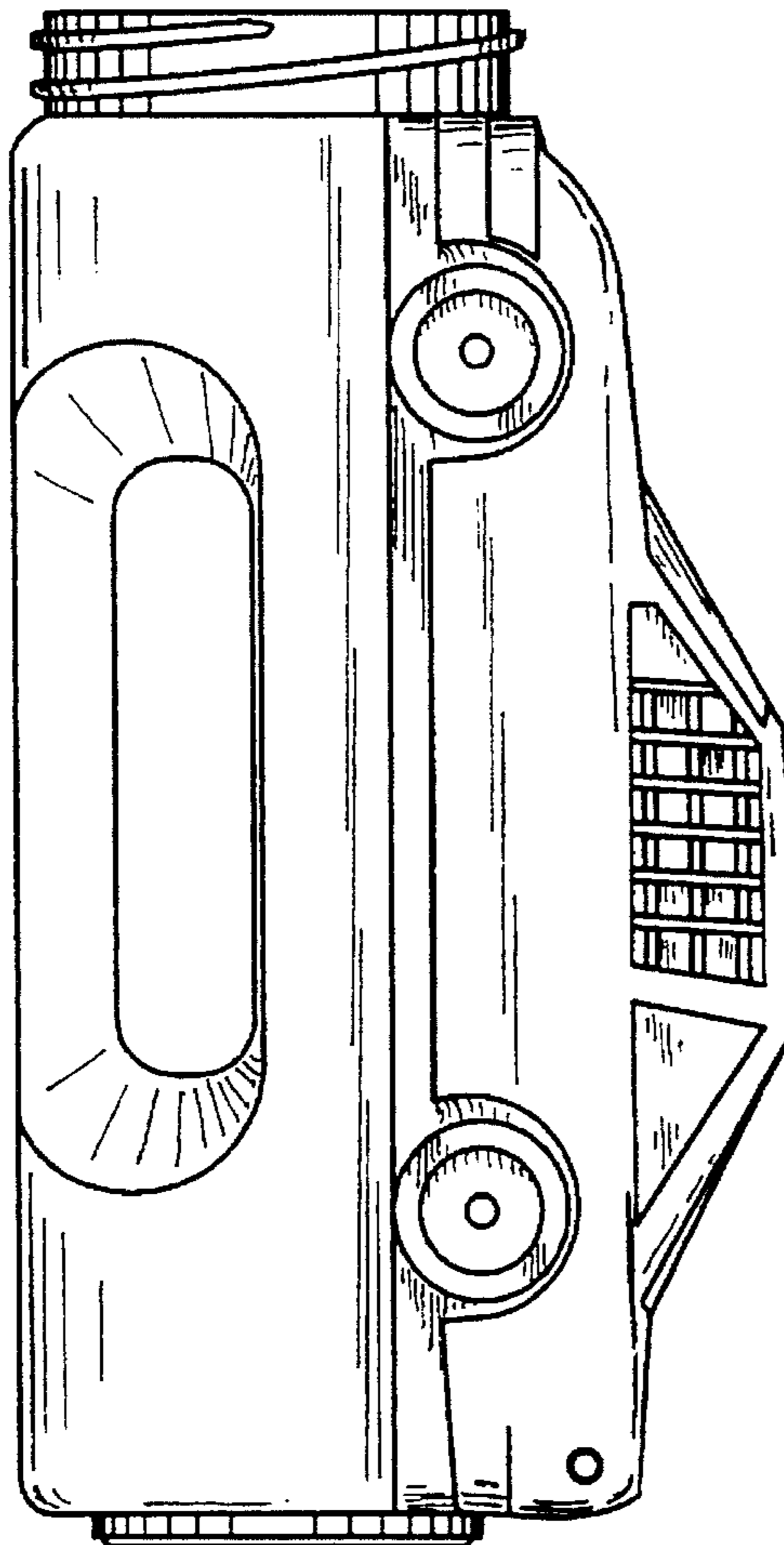
### [56] References Cited

FIG. 1 is an upper rear perspective view of the drink container in the shape of an automobile of this invention; FIG. 2 is a rear elevational view thereof; FIG. 3 is a front elevational view thereof; FIG. 4 is a right elevational view thereof; FIG. 5 is a left elevational view thereof; FIG. 6 is a top plan view thereof; and, FIG. 7 is a bottom plan view thereof.

#### U.S. PATENT DOCUMENTS

D. 43,583	2/1913	Vail	.....	D9/308
D. 46,705	11/1914	Stough	.....	D9/308
D. 137,299	2/1944	Stough	.....	D9/308
D. 137,393	2/1944	Millstein	.....	D9/308
D. 203,304	12/1965	Douglas	.....	D9/308
D. 203,418	1/1966	Douglas	.....	D9/308
D. 210,189	2/1968	Weckman	.....	D9/308
D. 338,407	8/1993	Lynd	.....	D7/511 X

**1 Claim, 3 Drawing Sheets**



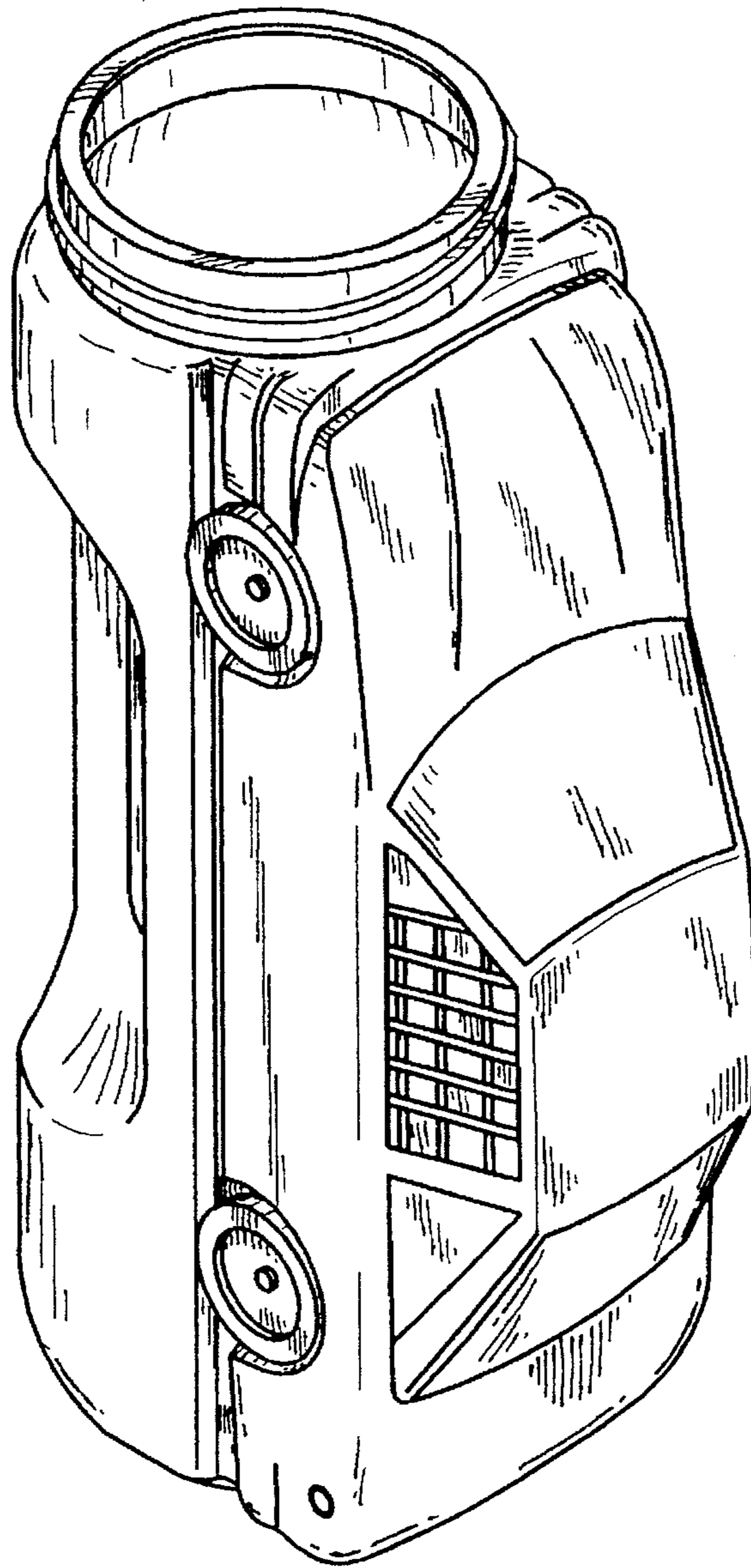
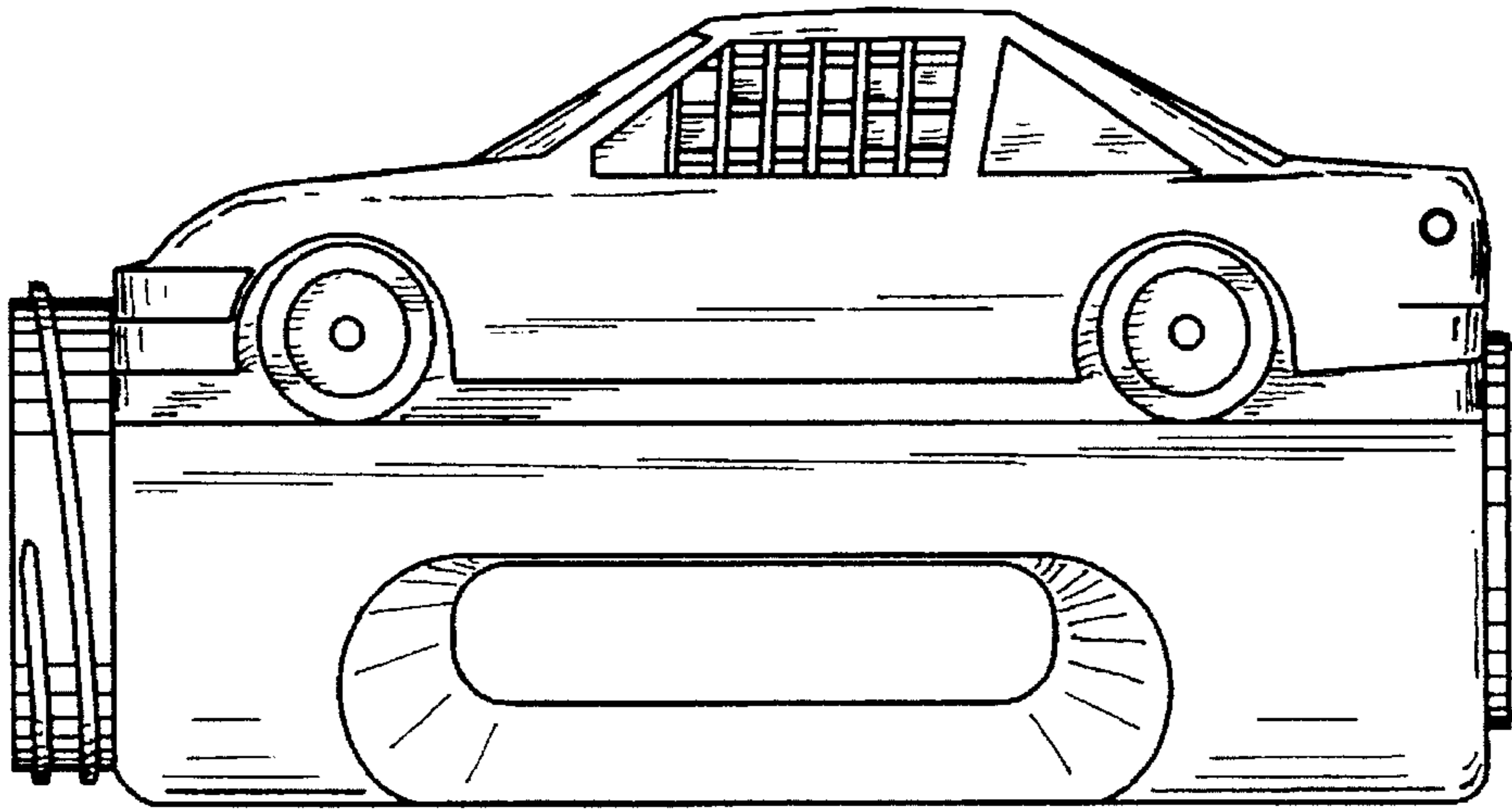
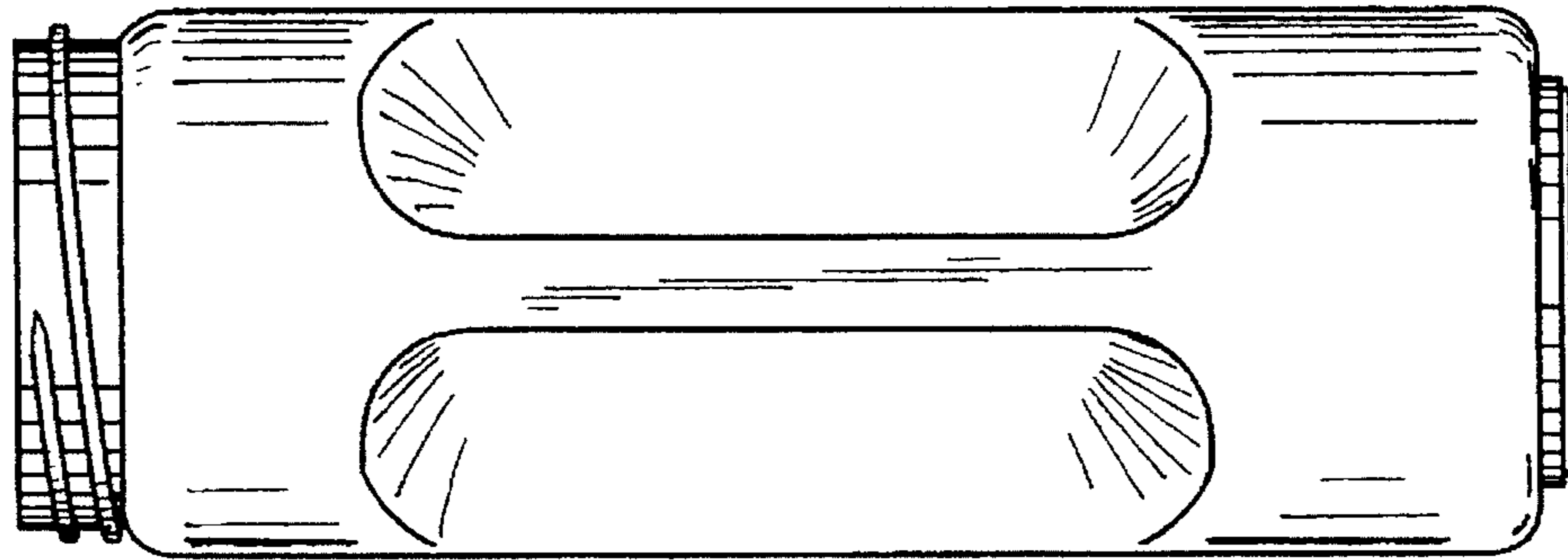


Fig. 1



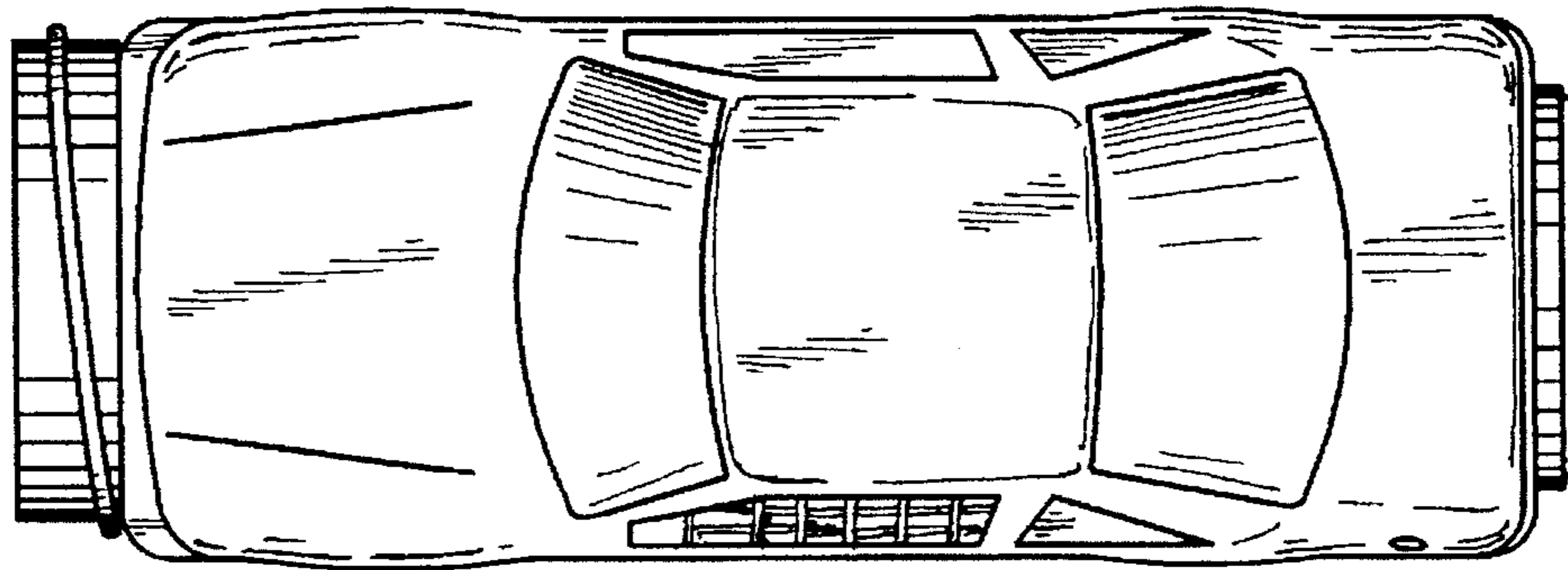
*Fig. 4*

---



*Fig. 3*

---



*Fig. 2*

---

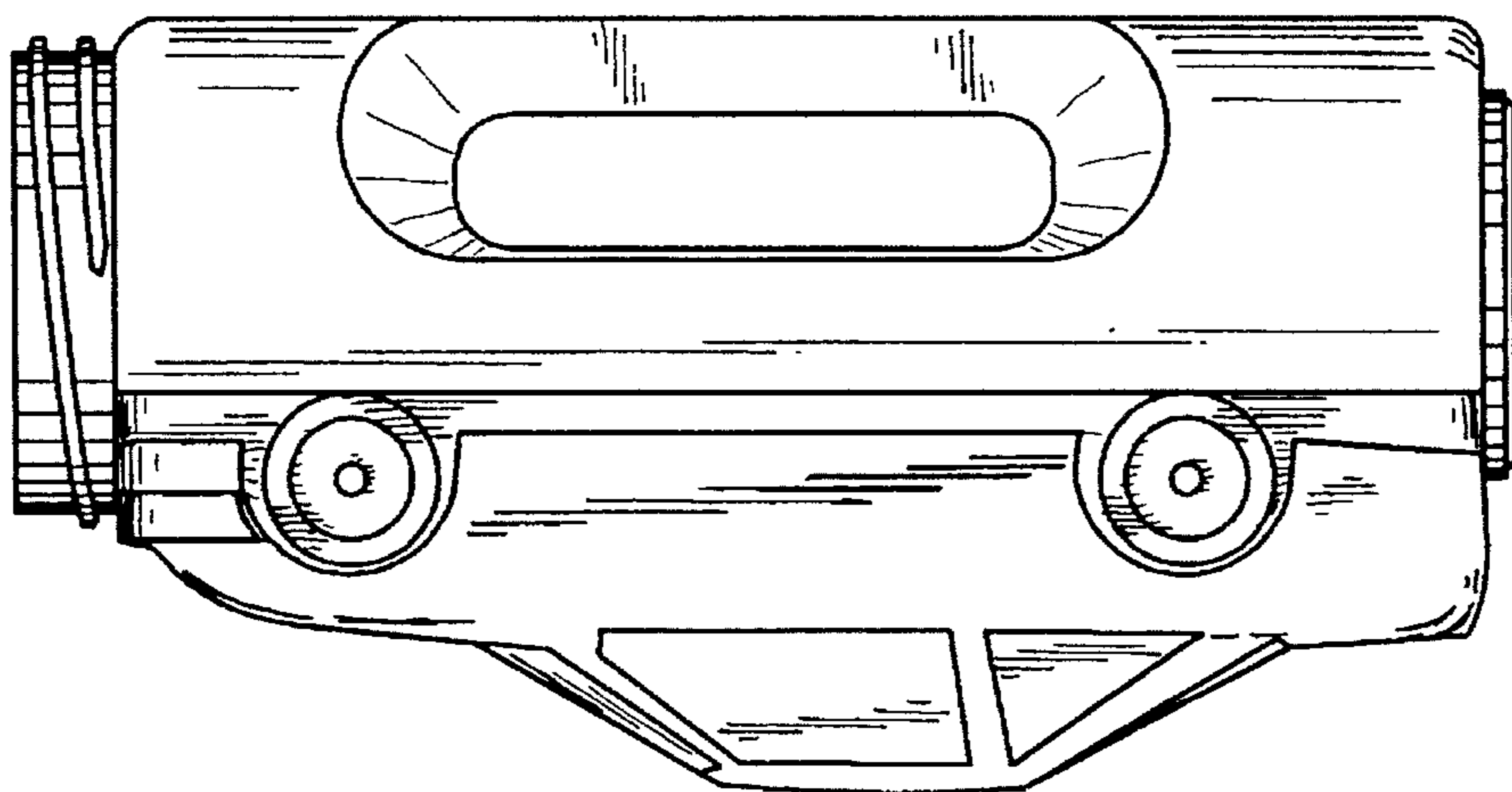


Fig. 5

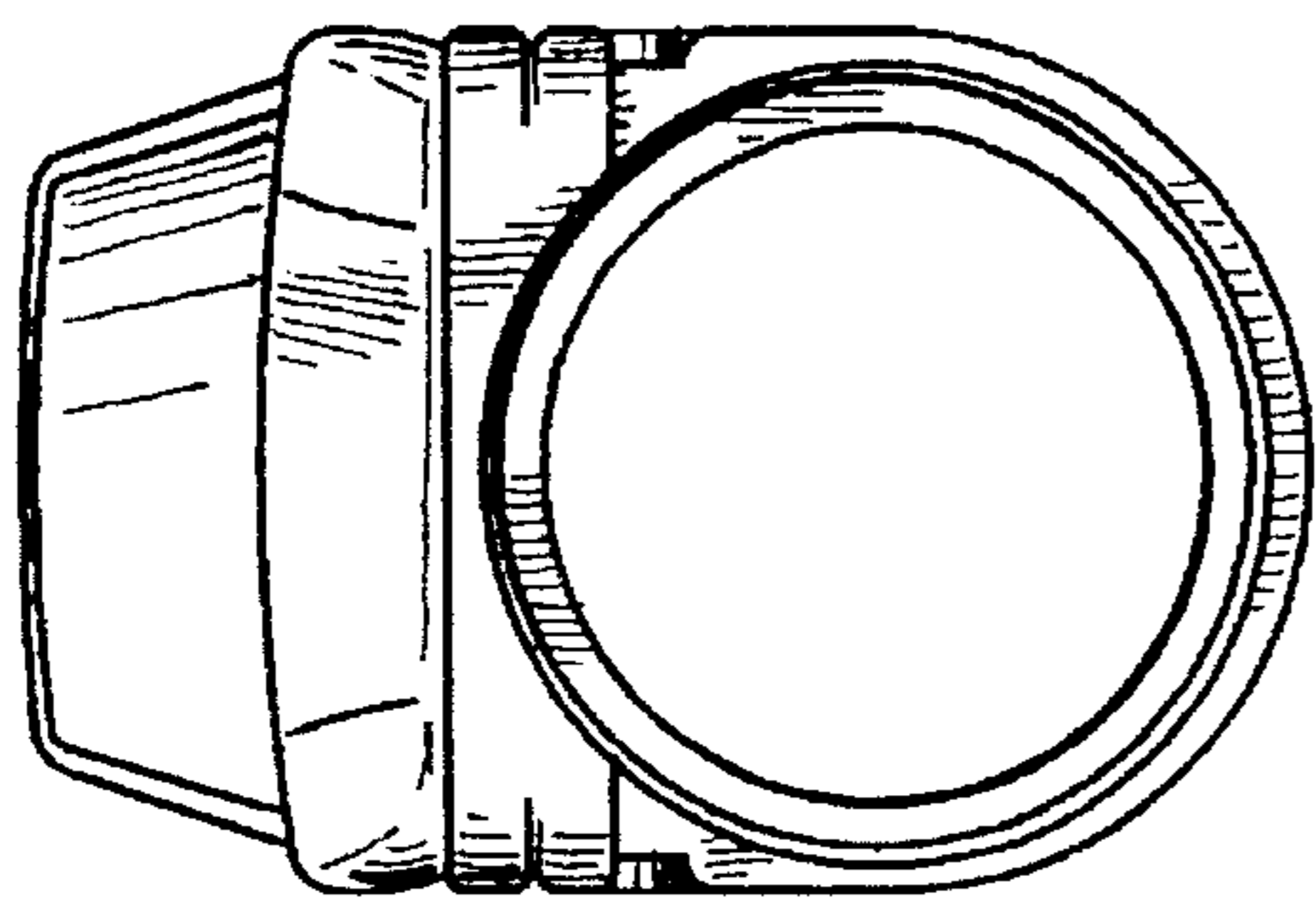


Fig. 6

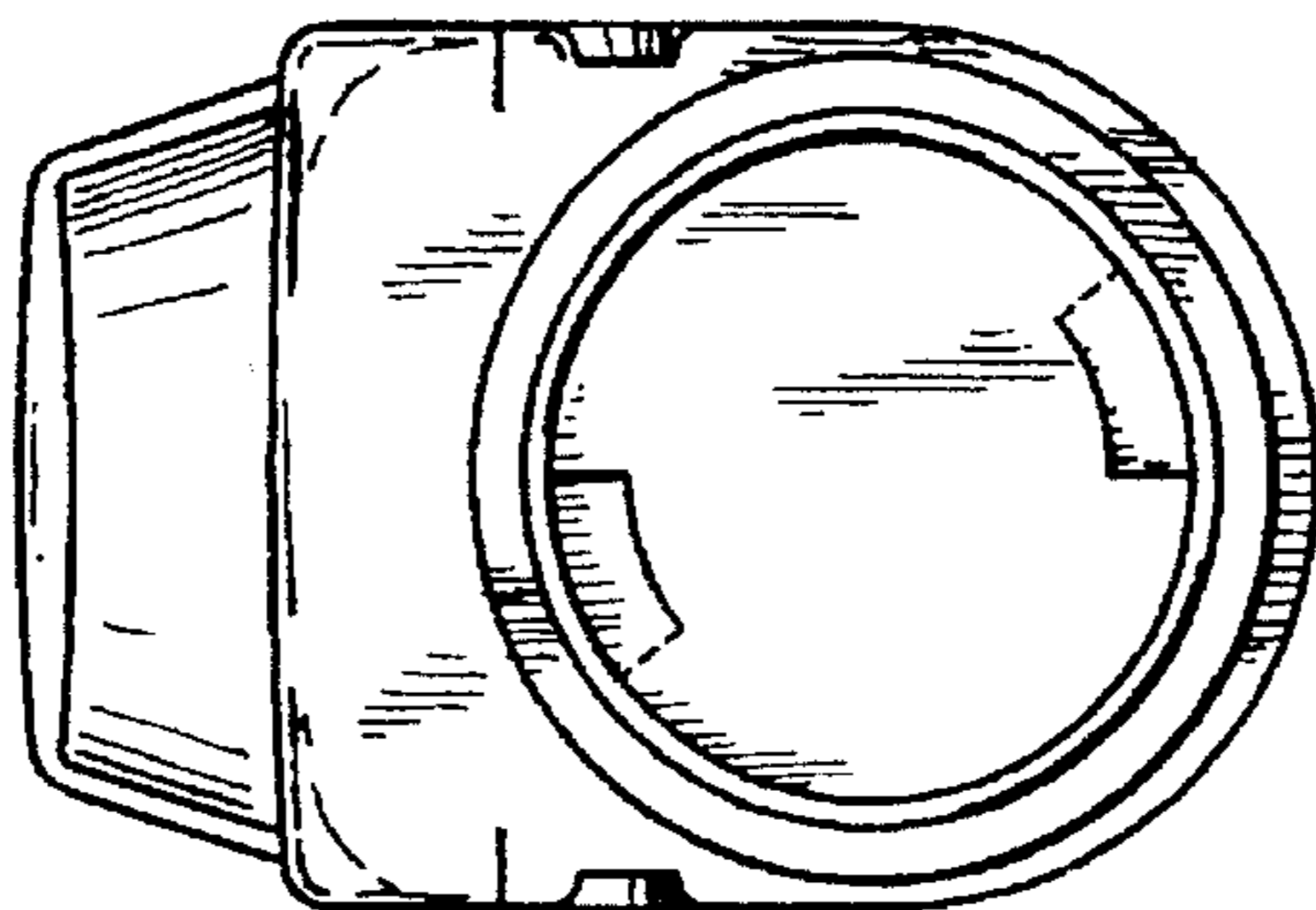


Fig. 7