



US00D377135S

United States Patent [19]

Ancona et al.

[11] Patent Number: **Des. 377,135**

[45] Date of Patent: ****Jan. 7, 1997**

[54] GADGET HANDLE

[76] Inventors: **Bruce Ancona; Jane Ancona**, both of 21 E. 22nd St., #6K, New York, N.Y. 10010; **Mary J. DeGuzman**, 101 W. 74th St., #3E, New York, N.Y. 10021

[**] Term: **14 Years**

[21] Appl. No.: **43,614**

[22] Filed: **Sep. 7, 1995**

[52] U.S. Cl. **D7/401.2; D7/395**

[58] Field of Search D7/395, 401.2, D7/683-696; 241/168, 273.1-273.4; 16/110 R, 114 R, 114 A, 116 R, 110 A

[56] References Cited

U.S. PATENT DOCUMENTS

D. 304,406 11/1989 Ancona et al. D7/395 X
D. 323,095 1/1992 Usbeck D7/395

Primary Examiner—Terry A. Wallace

[57] CLAIM

The ornamental design for a gadget handle, as shown and described.

DESCRIPTION

FIG. 1 is a bottom, right side, front perspective view of a gadget handle showing our new design; FIG. 2 is a top, left side, rear perspective view thereof; FIG. 3 is a right side elevational view thereof; FIG. 4 is a left side elevational view thereof; FIG. 5 is a bottom plan view thereof, the top plan view being a mirror image; FIG. 6 is a rear elevational view thereof; FIG. 7 is a front elevational view thereof; and, FIG. 8 is a perspective view of the gadget handle. The broken lines represent, by way of illustration only, a vegetable scraping device attached to the handle at the front, and forms no part of the claimed design.

1 Claim, 3 Drawing Sheets

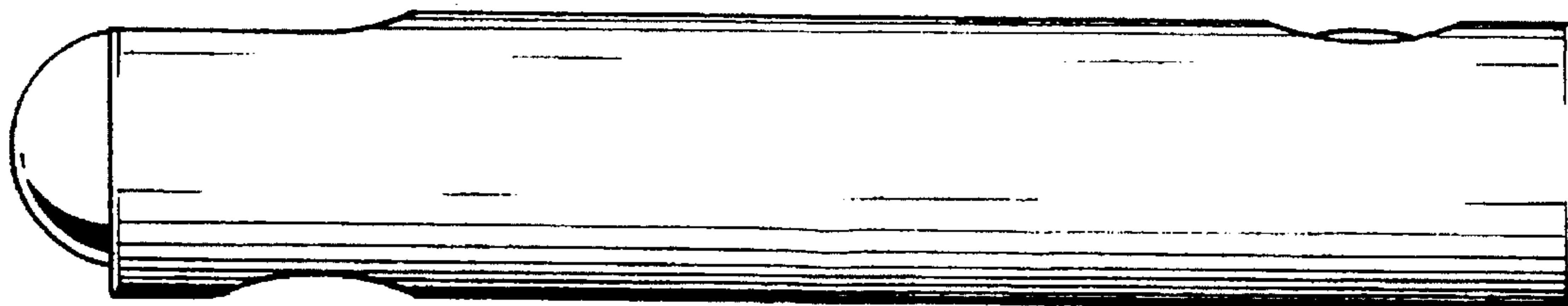
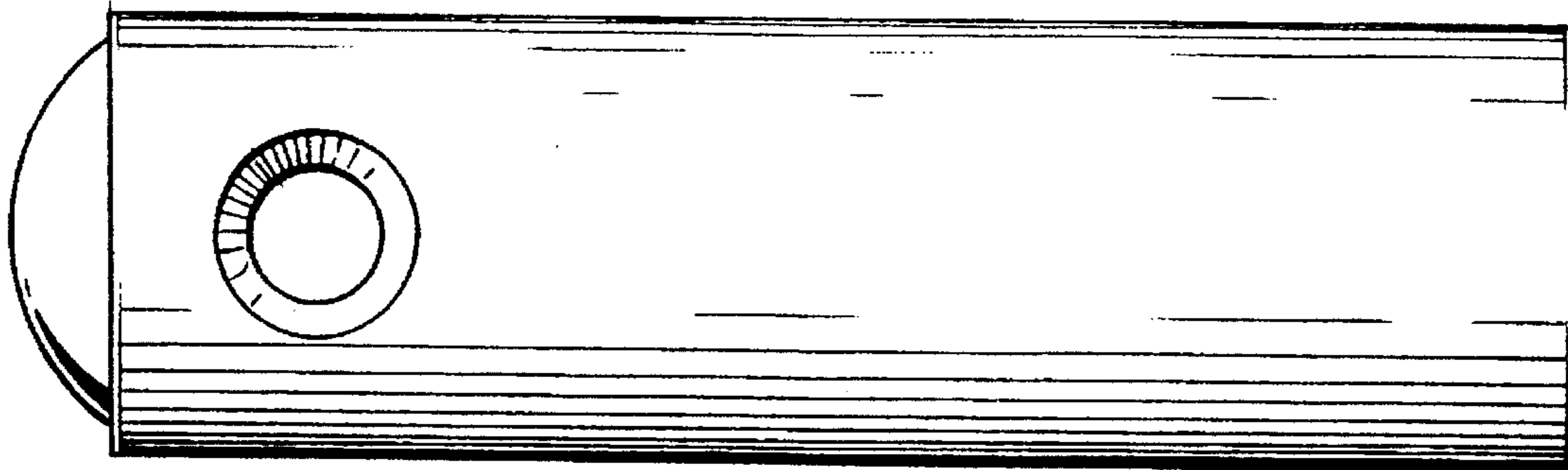
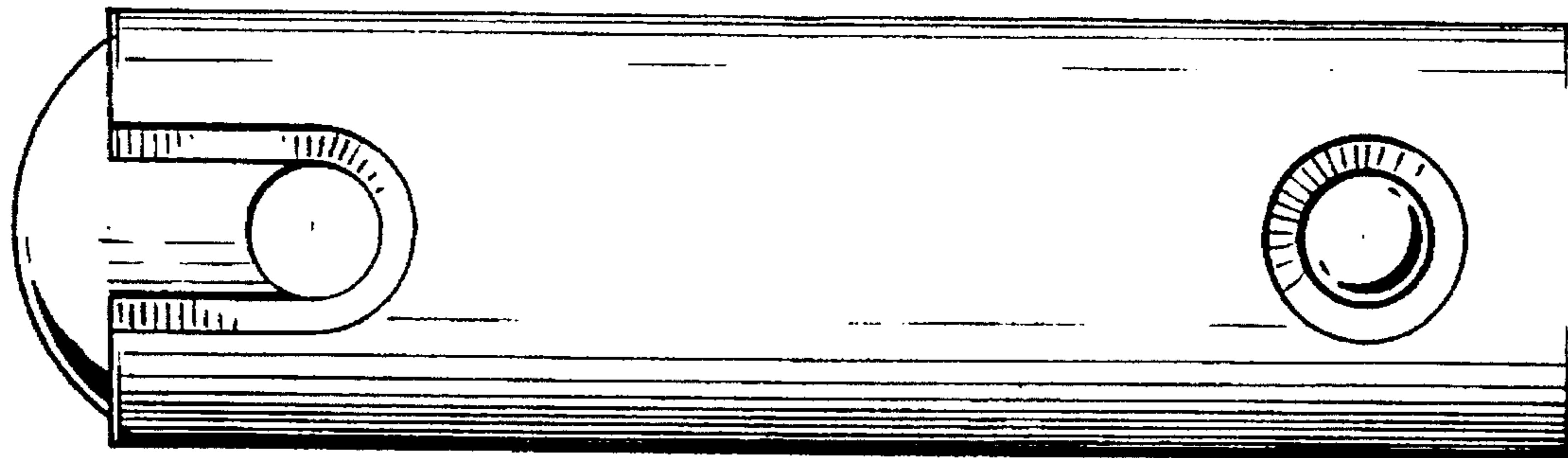


FIG. 1

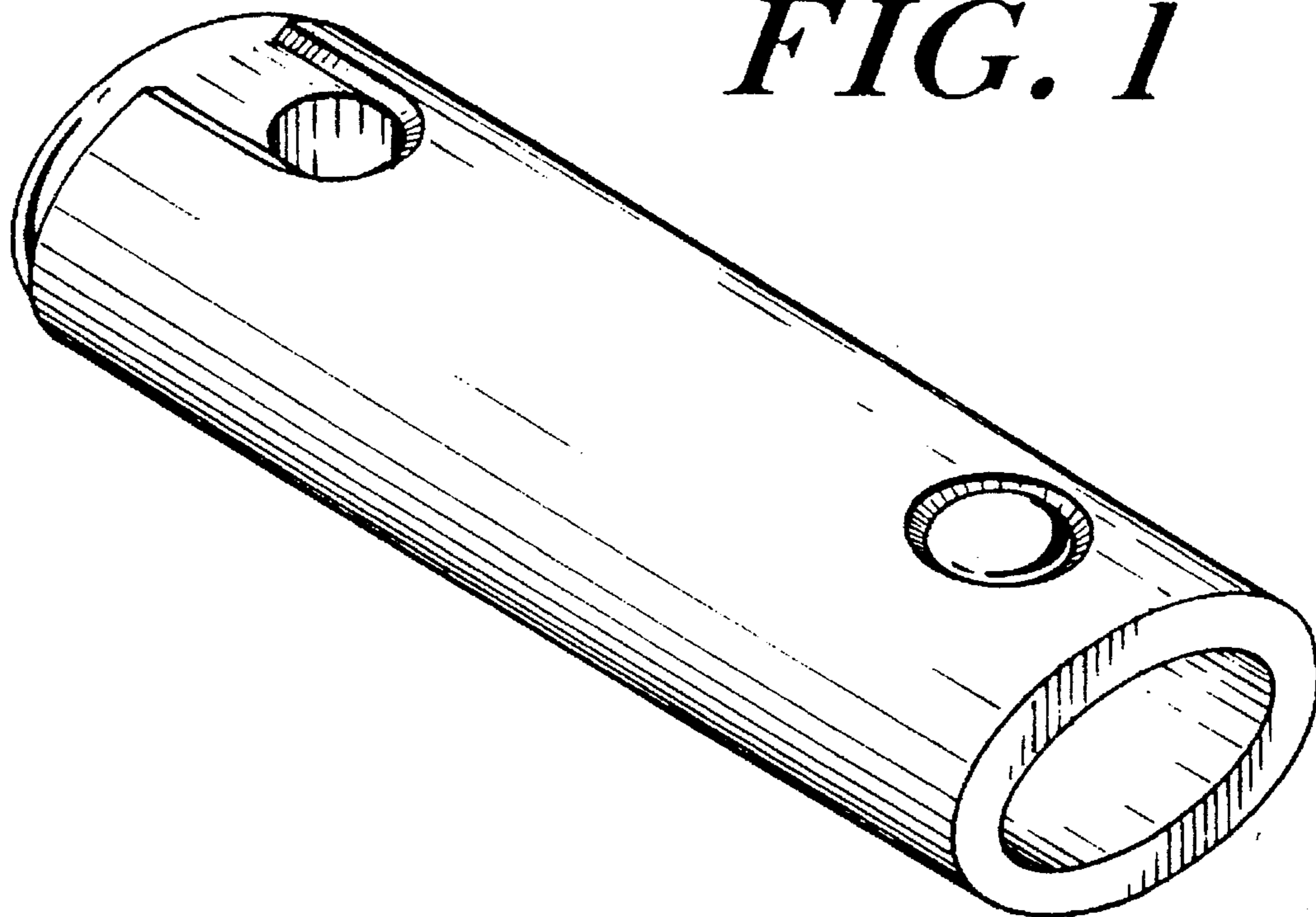
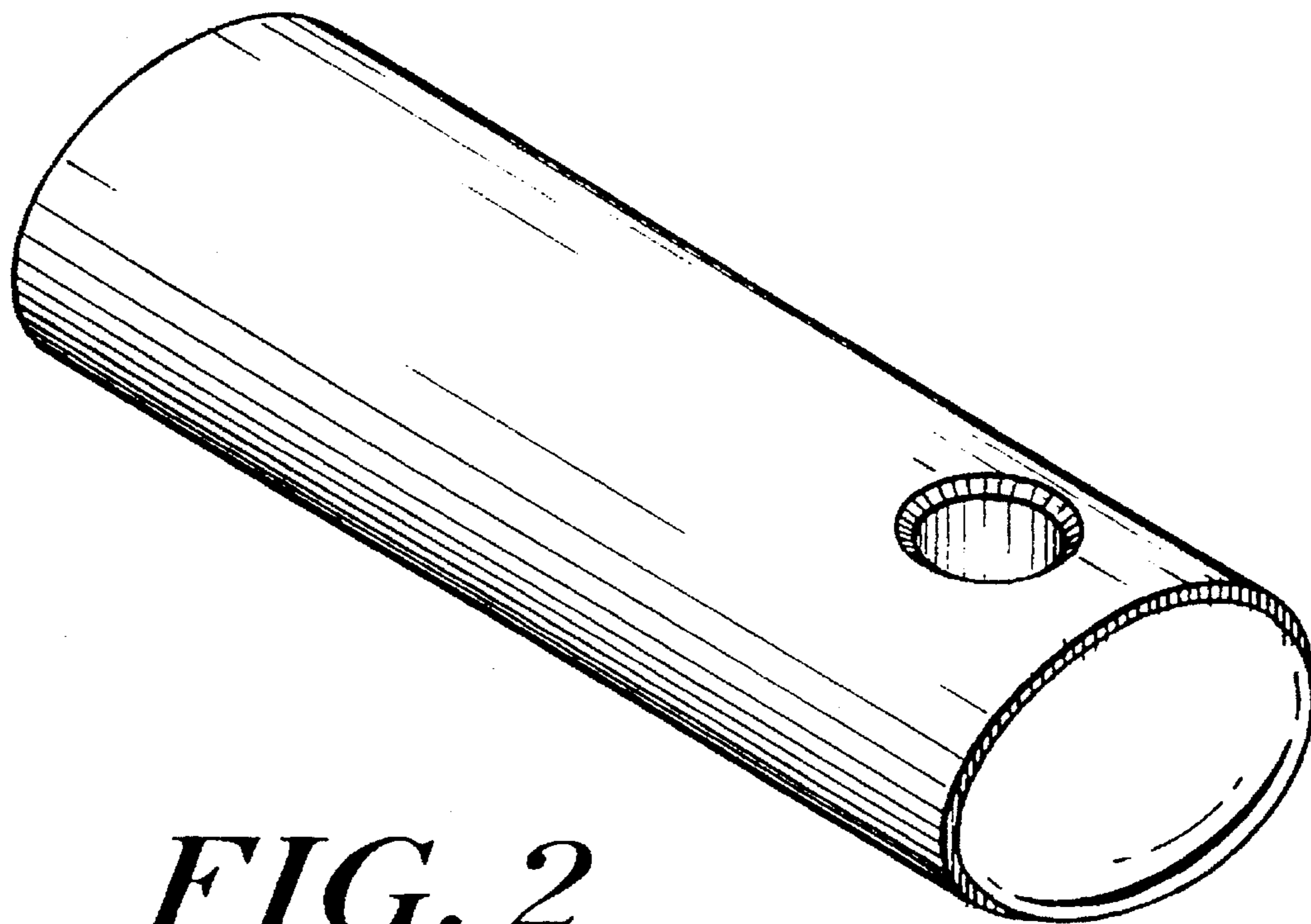


FIG. 2



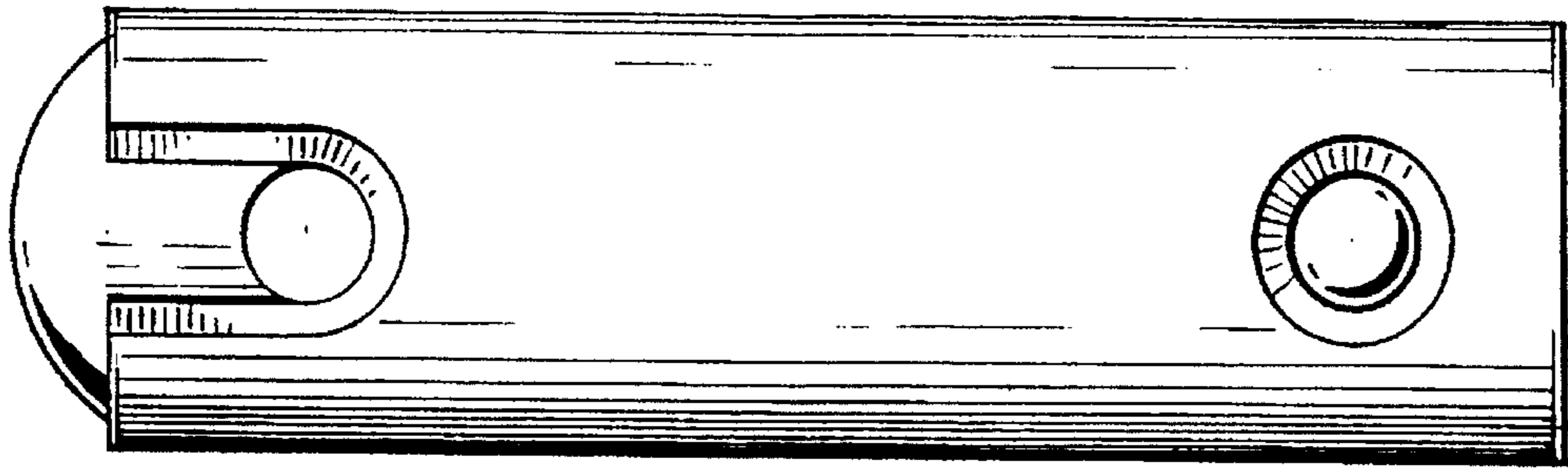


FIG. 3

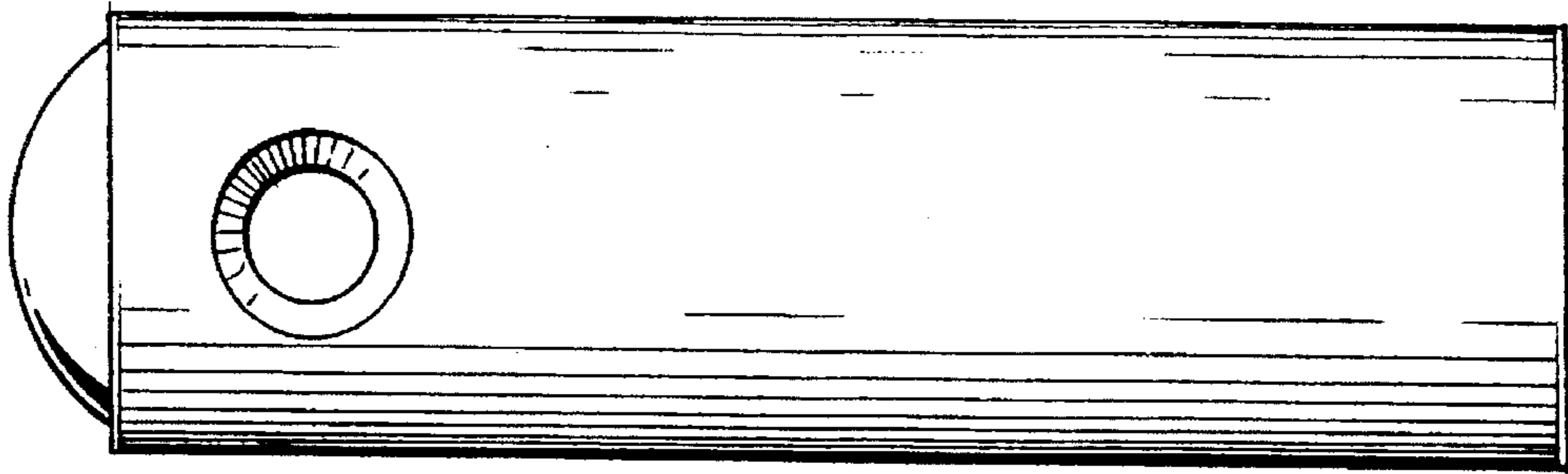


FIG. 4

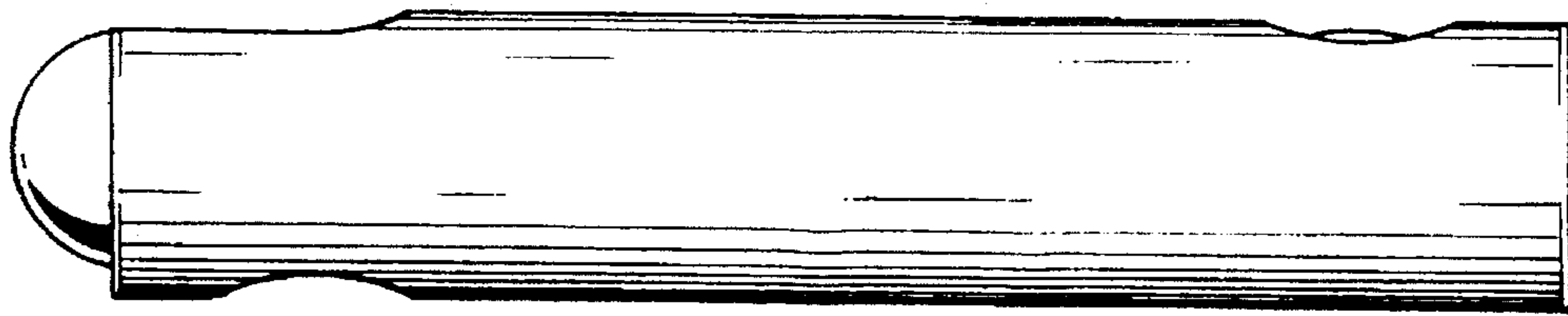


FIG. 5

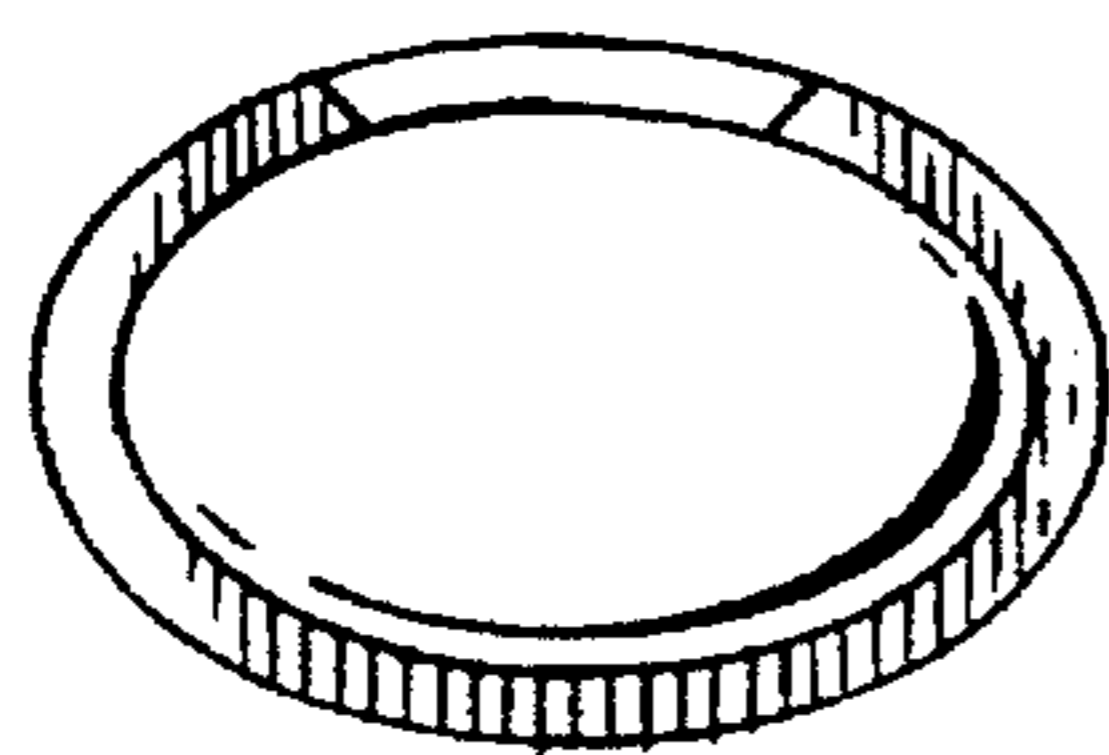


FIG. 6

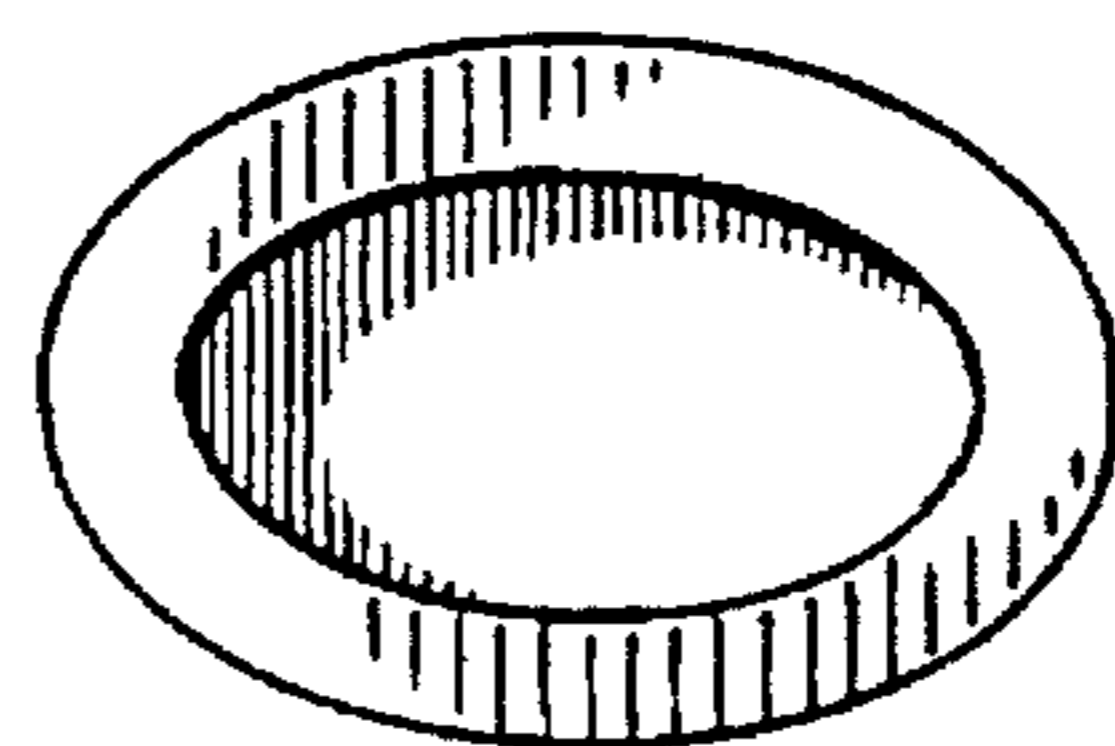


FIG. 7

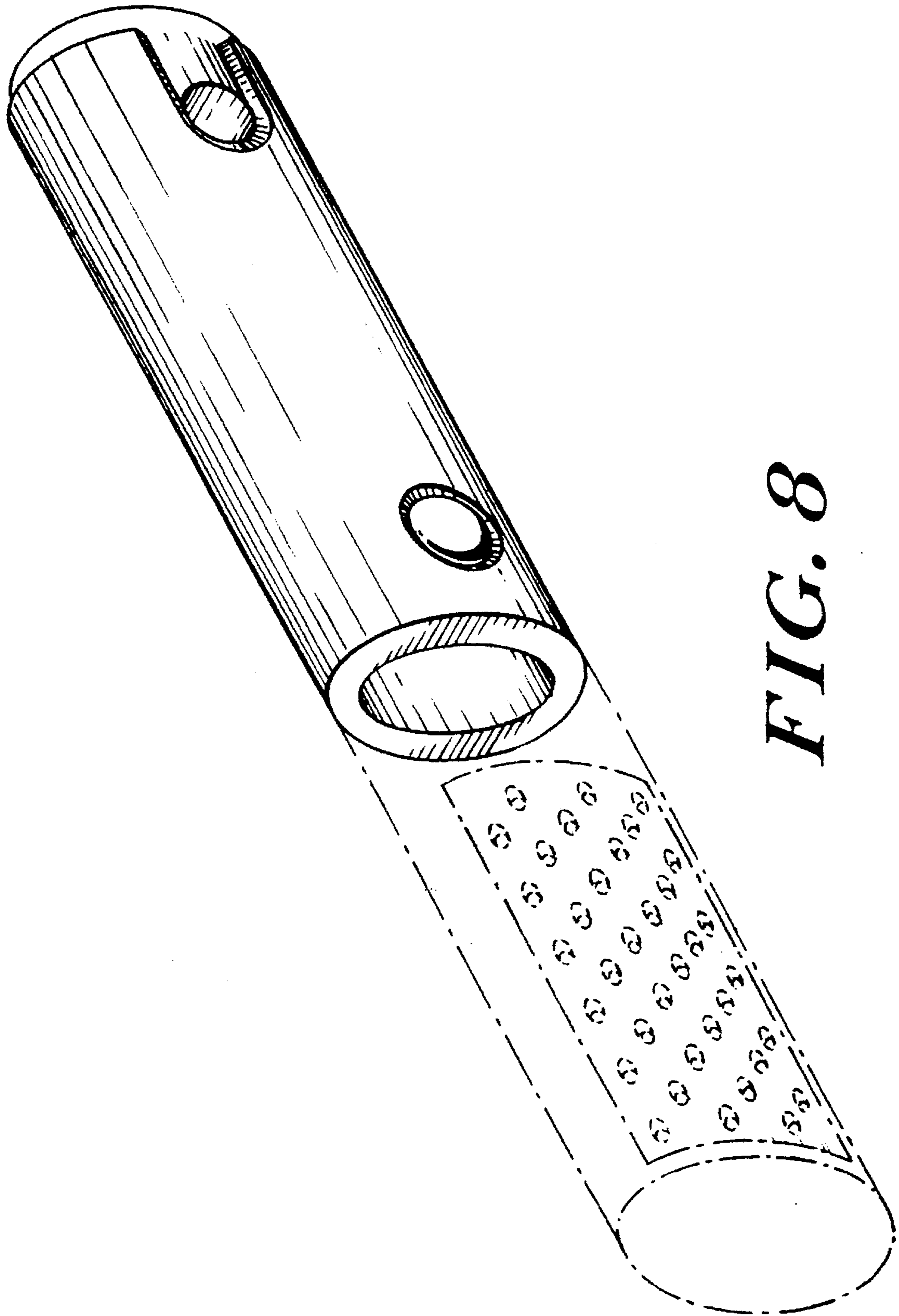


FIG. 8