



US00D377134S

# United States Patent [19]

Des Touche

[11] Patent Number: **Des. 377,134**

[45] Date of Patent: **\*\*Jan. 7, 1997**

[54] **CULINARY GRILL**

4,930,491 6/1990 Purello ..... 99/445 X  
5,313,928 5/1994 Rodgers et al. .... 99/449 X

[75] Inventor: **Vincent Des Touche**, Vleugy, France

[73] Assignee: **Tefal S.A.**, Rumilly, France

[\*\*] Term: **14 Years**

*Primary Examiner*—Louis S. Zarfes  
*Assistant Examiner*—Frank Martinez  
*Attorney, Agent, or Firm*—Young & Thompson

[21] Appl. No.: **42,132**

[57] **CLAIM**

[22] Filed: **Aug. 2, 1995**

The ornamental design for a culinary grill, as shown.

[30] **Foreign Application Priority Data**

**DESCRIPTION**

Feb. 3, 1995 [FR] France ..... 950 662

[52] U.S. Cl. .... **D7/362**

[58] Field of Search ..... D7/362, 359, 361,  
D7/374, 363, 337, 408, 409; 99/376, 425,  
444, 445, 450; 126/258, 37 B

FIG. 1 is a side elevational view of a culinary grill showing my new design;

FIG. 2 is a side elevational view thereof from the side opposite that shown in FIG. 1;

FIG. 3 is an end elevational view thereof from the left of FIG. 1;

FIG. 4 is an end elevational view thereof from the right of FIG. 1;

FIG. 5 is a top plan view thereof;

FIG. 6 is a bottom plan view thereof; and,

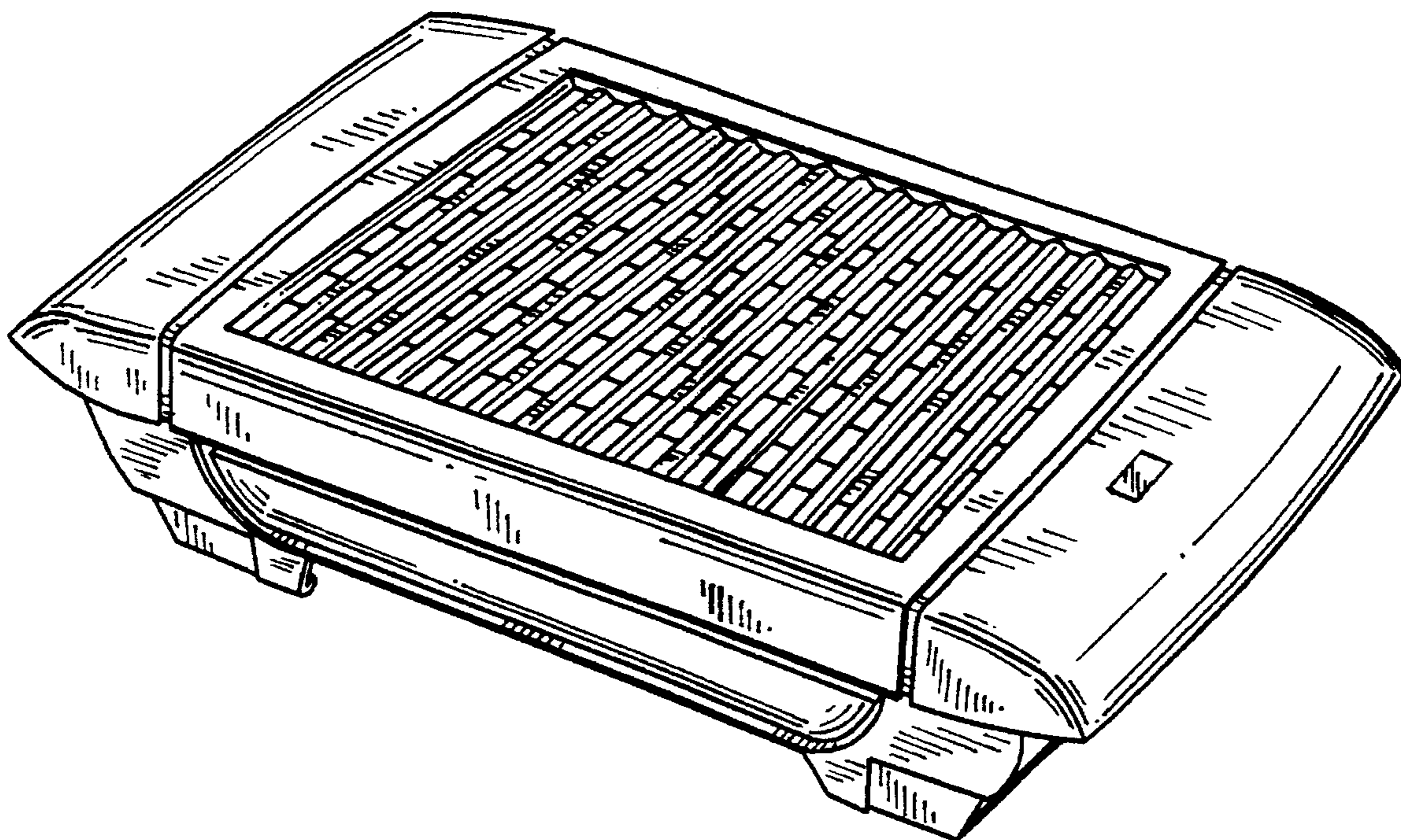
FIG. 7 is a top, side and end perspective view thereof.

[56] **References Cited**

**U.S. PATENT DOCUMENTS**

D. 275,830 10/1984 Naito et al. .... D7/337  
D. 365,495 12/1995 O'Higgins ..... D7/359

**1 Claim, 4 Drawing Sheets**



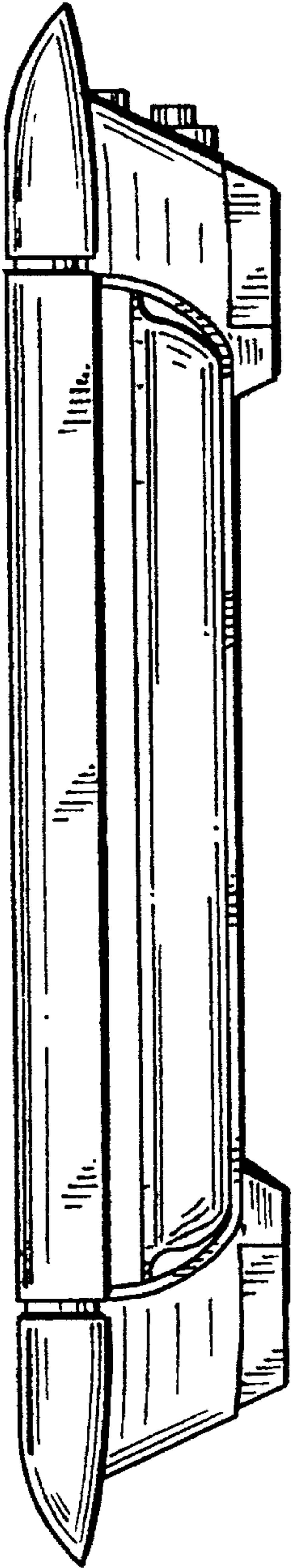


FIG. 1

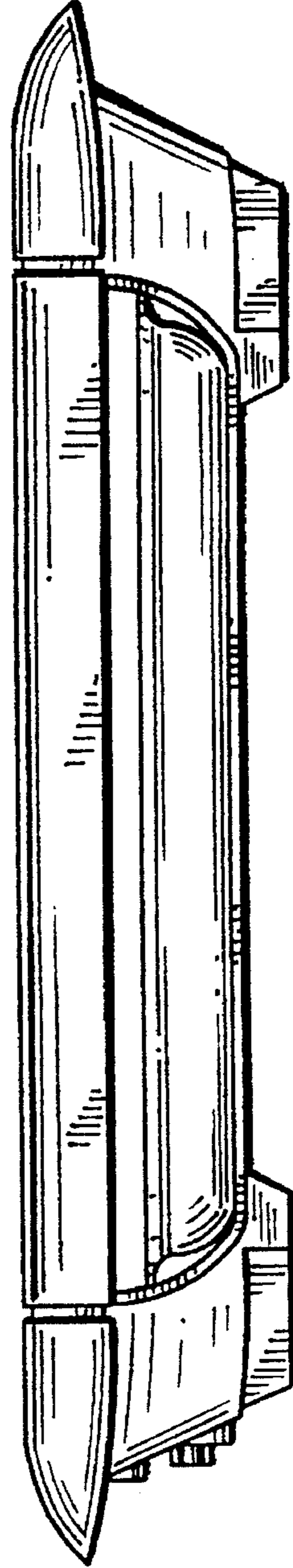


FIG. 2

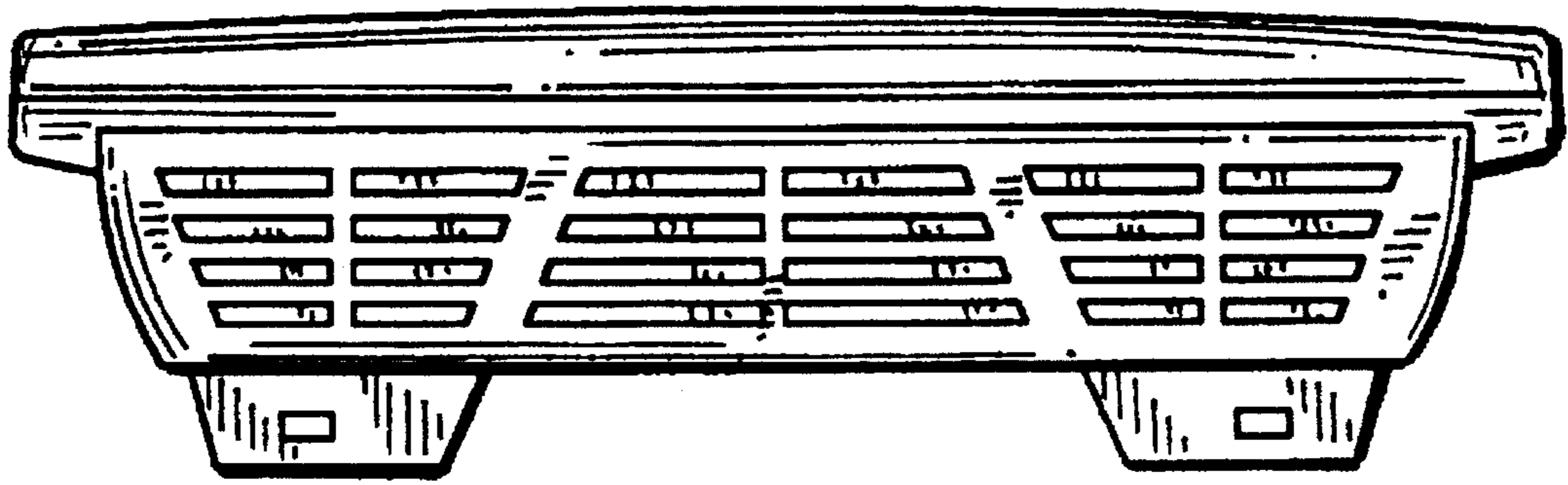


FIG. 3

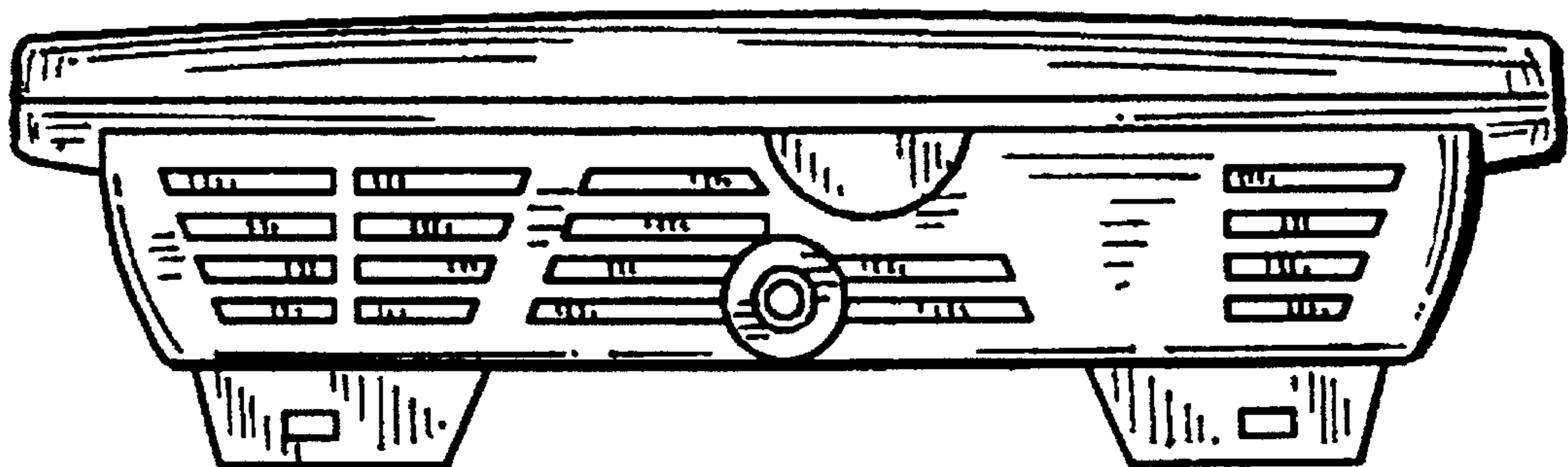


FIG. 4

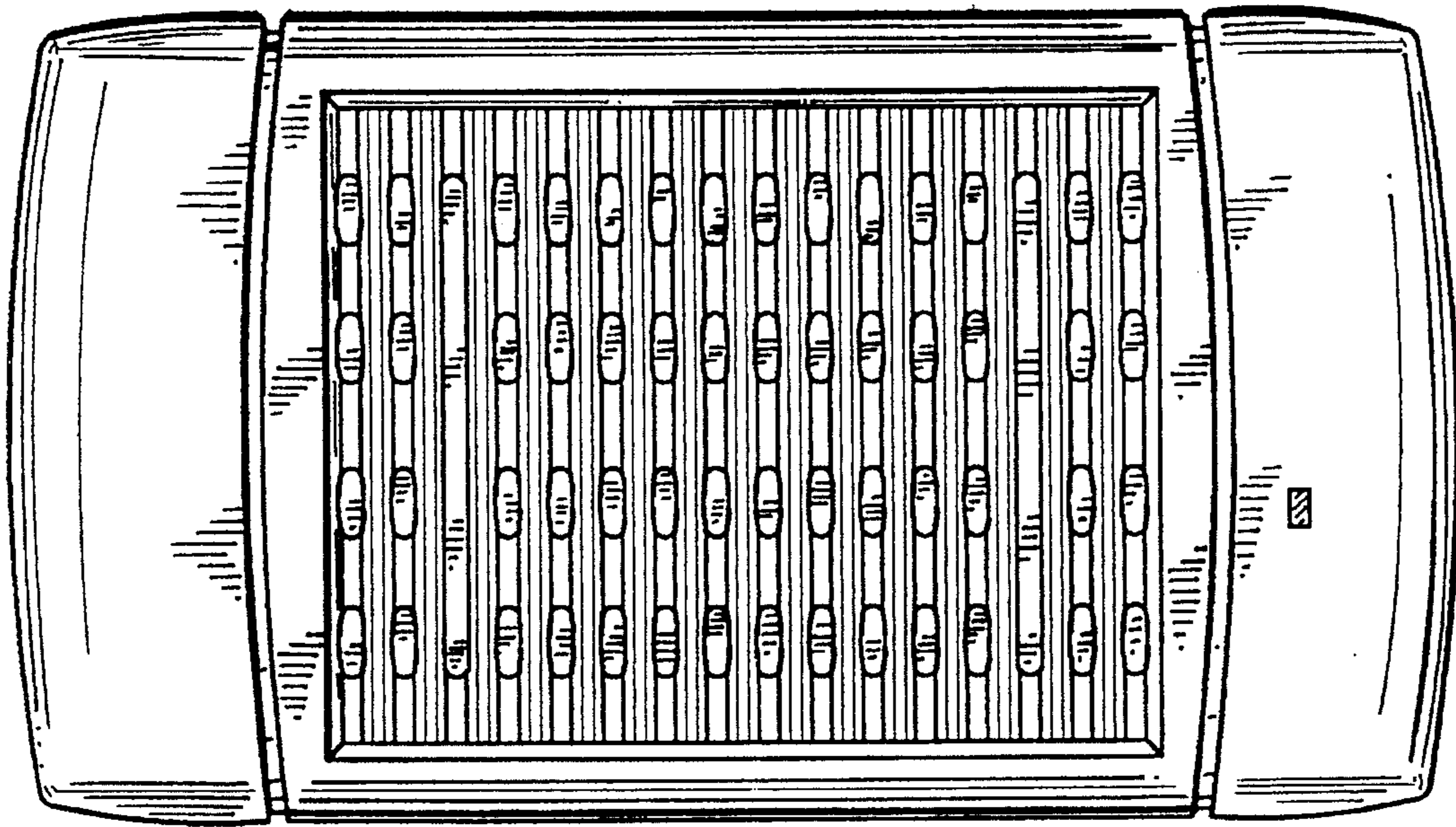


FIG. 5

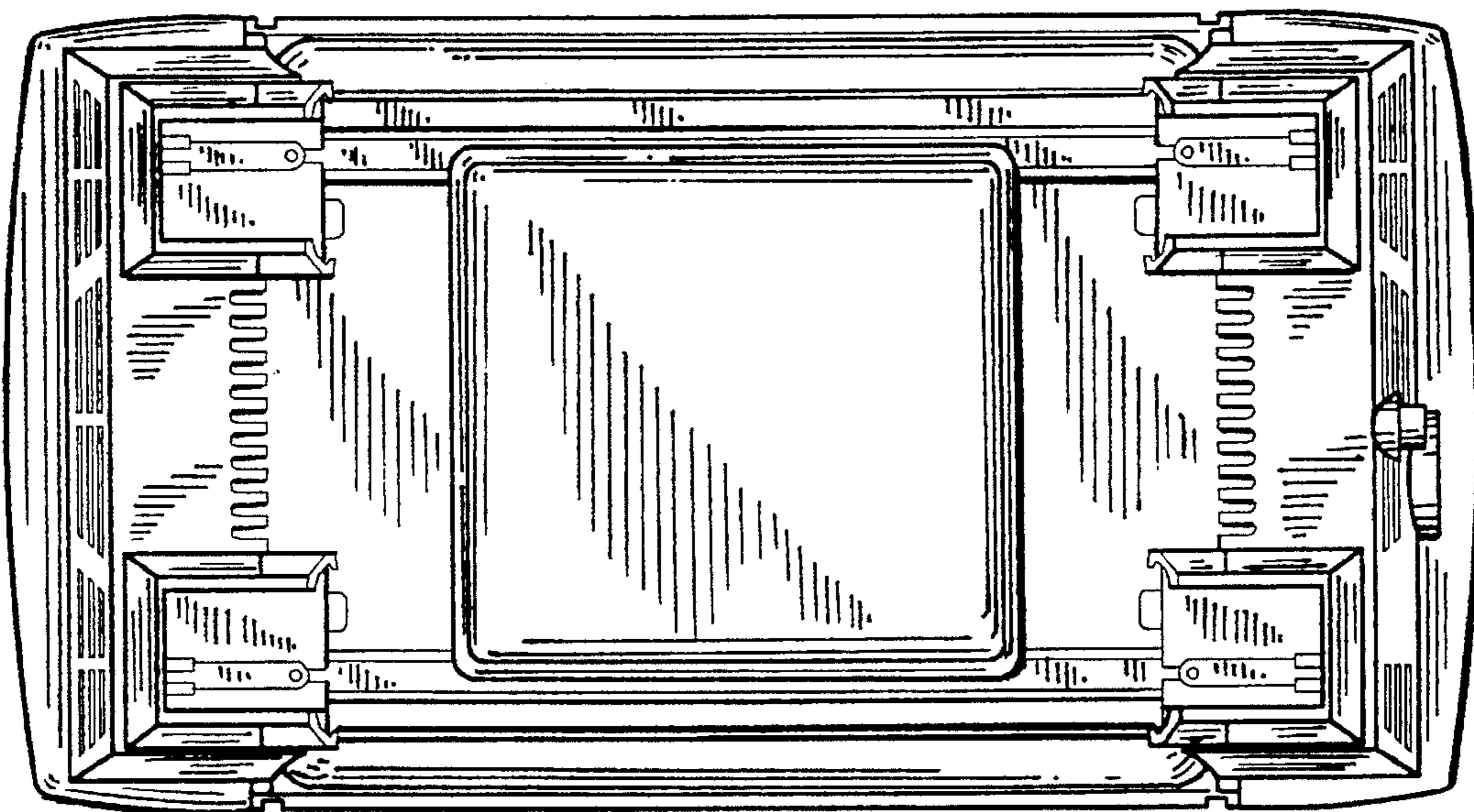


FIG. 6

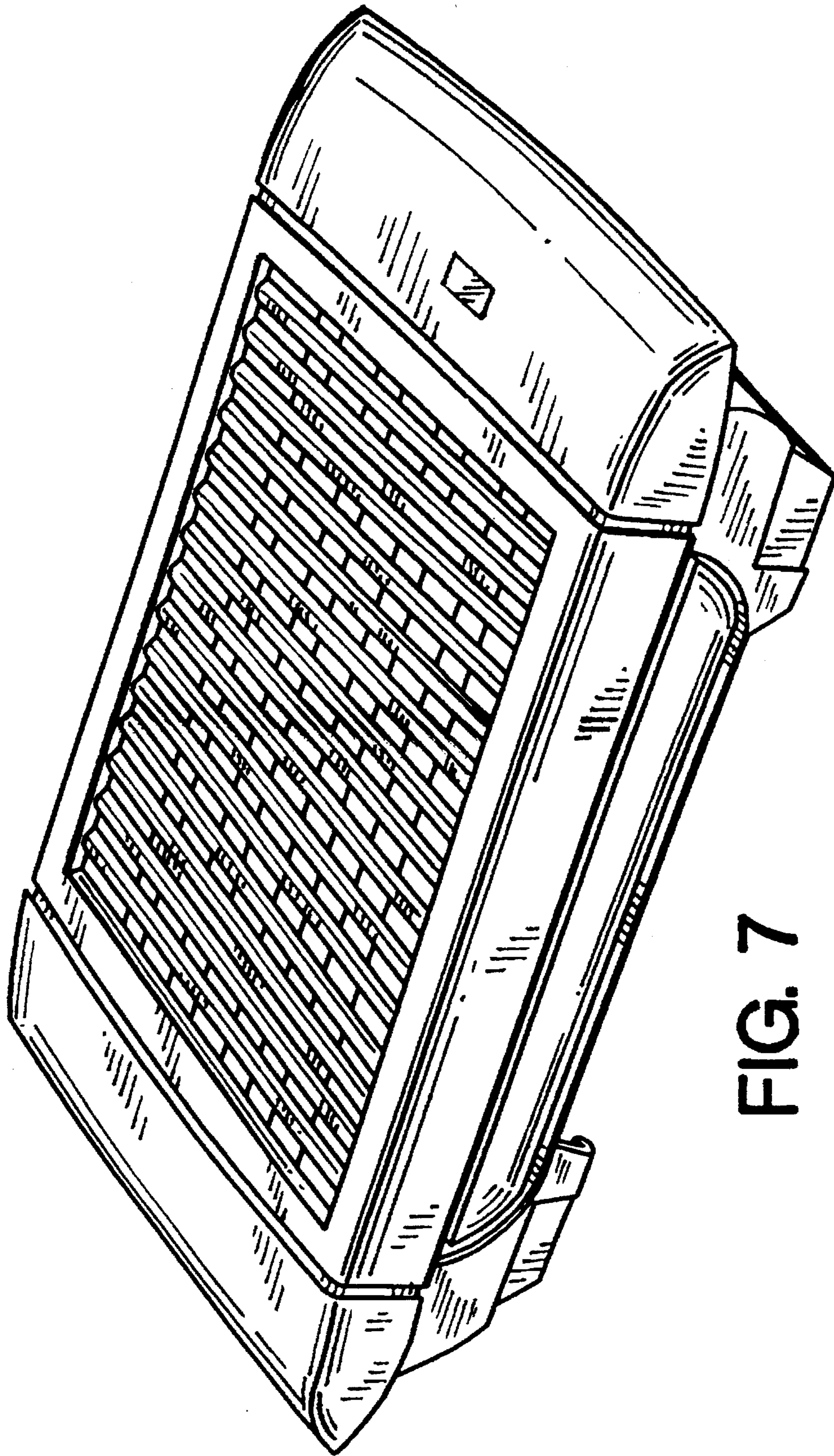


FIG. 7