



US00D377126S

United States Patent [19]

[11] Patent Number: **Des. 377,126**

Foco et al.

[45] Date of Patent: ****Jan. 7, 1997**

[54] **FOLDABLE MOBILE**

[75] Inventors: **Keith E. Foco**, Holland; **Ronna L. Jacobs**, Saugatuck, both of Mich.

[73] Assignee: **Haworth, Inc.**, Holland, Mich.

[**] Term: **14 Years**

[21] Appl. No.: **50,042**

[22] Filed: **Feb. 7, 1996**

[52] U.S. Cl. **D6/425**; D6/430; D6/440

[58] Field of Search D6/421-431, 440, D6/474; 312/257-259, 223.2, 223.3, 310, 313, 194-196; 108/59, 60; 434/432, 307 R

[56] **References Cited**

U.S. PATENT DOCUMENTS

Re. 17,720	7/1930	Wheary .	
D. 281,382	11/1985	Byrne et al.	D6/474
D. 284,146	6/1986	Gordon	D6/425
D. 284,337	6/1986	Papich et al.	D6/430
D. 289,715	5/1987	Kirch	D6/425
D. 291,162	8/1987	Kwiecinski	D6/430
D. 300,486	4/1989	Kaplan et al.	D6/430
D. 357,781	4/1995	Crinion	D34/19
D. 366,783	2/1996	Madimenos	D6/429
D. 368,813	4/1996	Patton	D6/425
1,480,080	1/1924	Kent .	
1,994,044	3/1935	Michelet	68/10
2,478,563	8/1949	Book	16/30
2,672,921	3/1954	Herrick	155/124
2,692,812	10/1954	Stahl	312/313 X
2,755,156	7/1956	Nichols	312/314
2,963,332	12/1960	Breuning	312/231
3,078,133	2/1963	Schauer	312/310 X

3,878,939	4/1975	Wilcox	206/373
4,709,971	12/1987	Leeds et al.	312/201
4,919,498	4/1990	Turner	312/241
4,993,782	2/1991	Williams	312/21
5,129,491	7/1992	Seidman	190/18 A
5,429,432	7/1995	Johnson	312/235.3

FOREIGN PATENT DOCUMENTS

694740	7/1953	United Kingdom	312/310
--------	--------	----------------------	---------

OTHER PUBLICATIONS

The Wall Street Journal, Workers on the Go Get a Mobile Work Space, Feb. 3, 1995, 2 pages.

Newspaper article—Box Office, Feb. 10, 1995, 1 page.

Primary Examiner—Carmen H. Vales-Lado
Attorney, Agent, or Firm—Flynn, Thiel, Boutell & Tanis, P.C.

[57] CLAIM

The ornamental design of a foldable mobile office, as shown and described.

DESCRIPTION

FIG. 1 is a front elevational view of a foldable mobile office showing our new design;

FIG. 2 is a rear elevational view thereof;

FIG. 3 is a left side elevational view, the right side being a mirror image thereof;

FIG. 4 is a top plan view thereof;

FIG. 5 is a perspective view thereof; and,

FIG. 6 is a perspective view in folded condition.

The bottom is flat and unornamented.

1 Claim, 6 Drawing Sheets

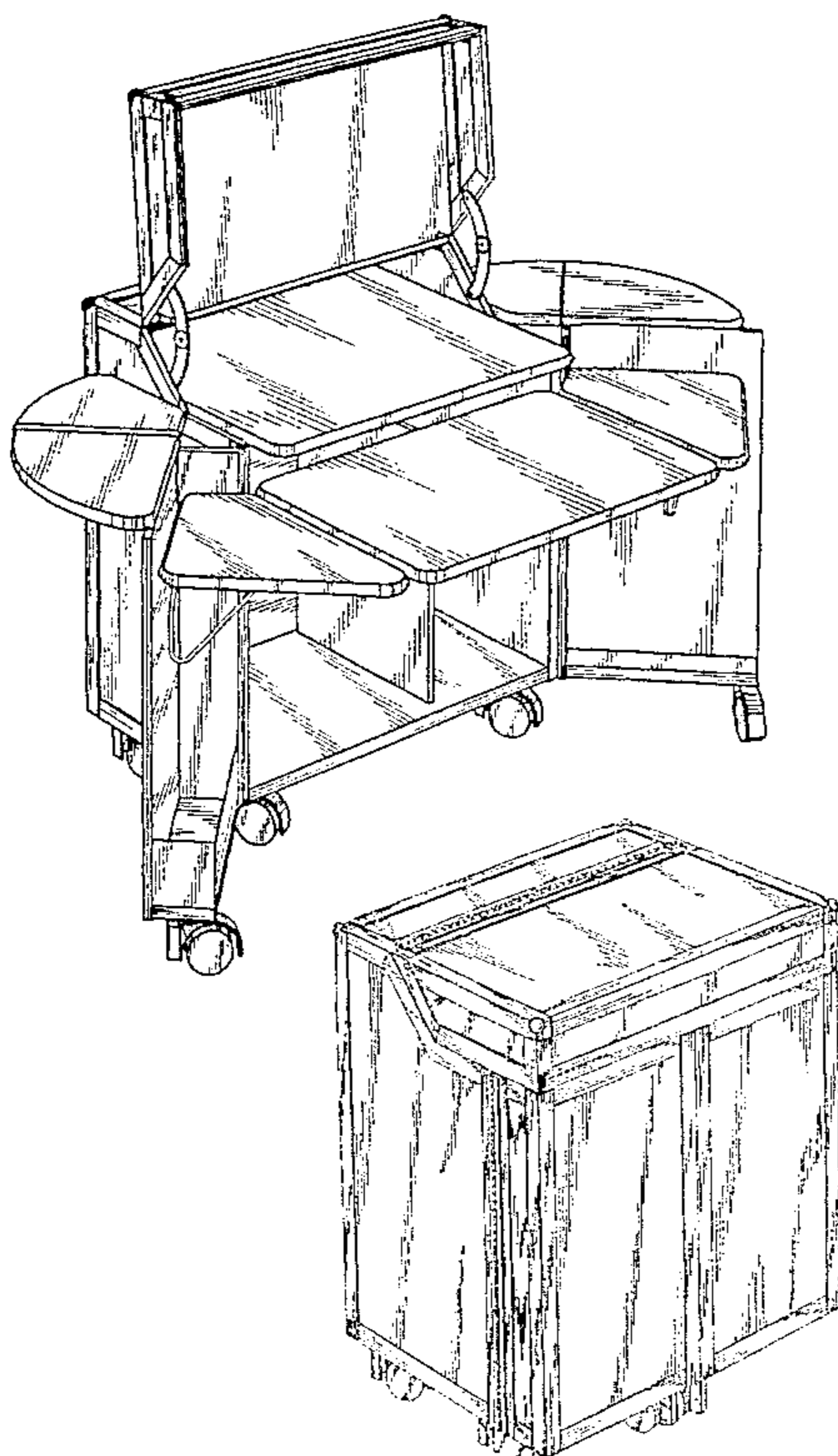


FIG. 1

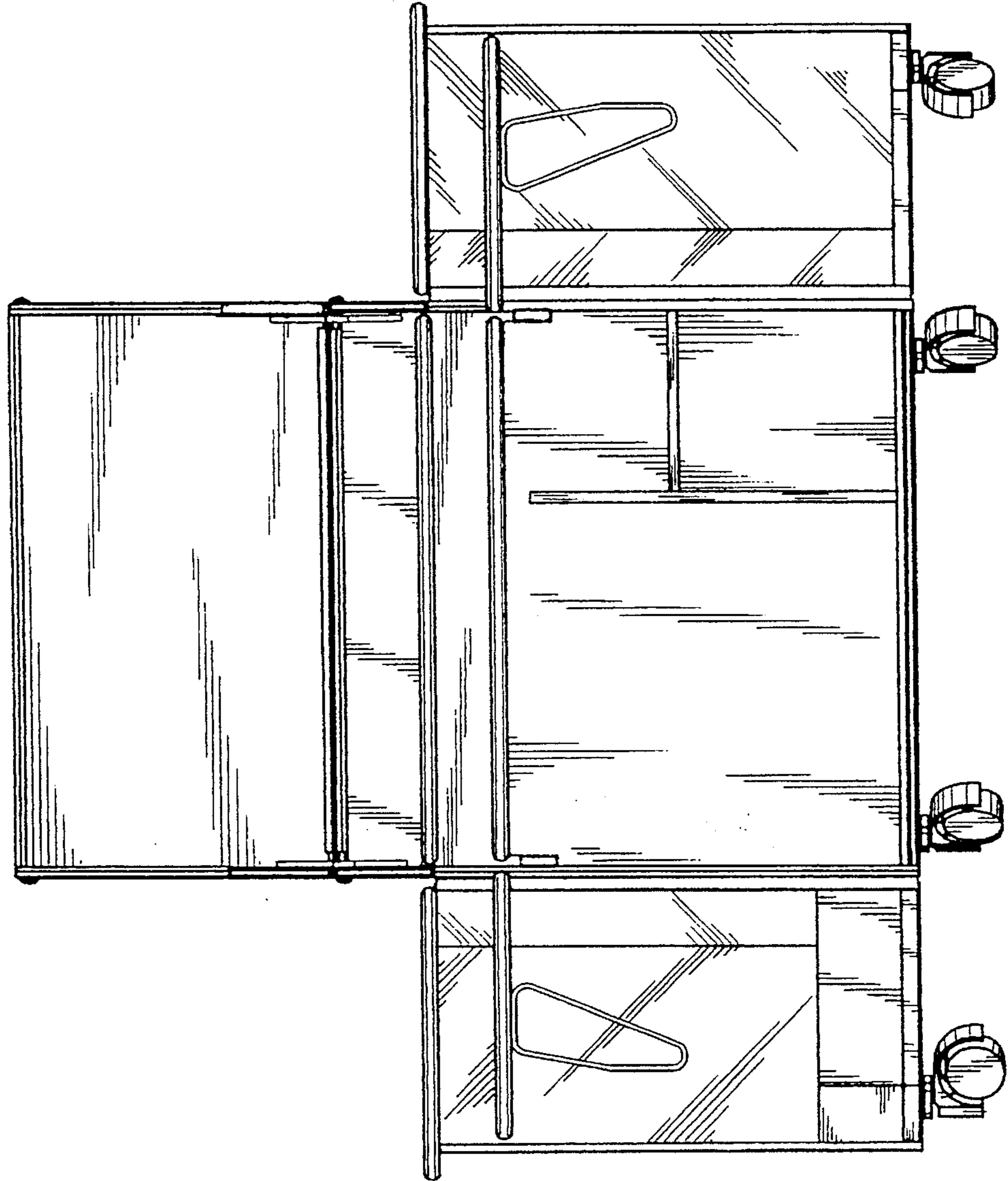


FIG. 2

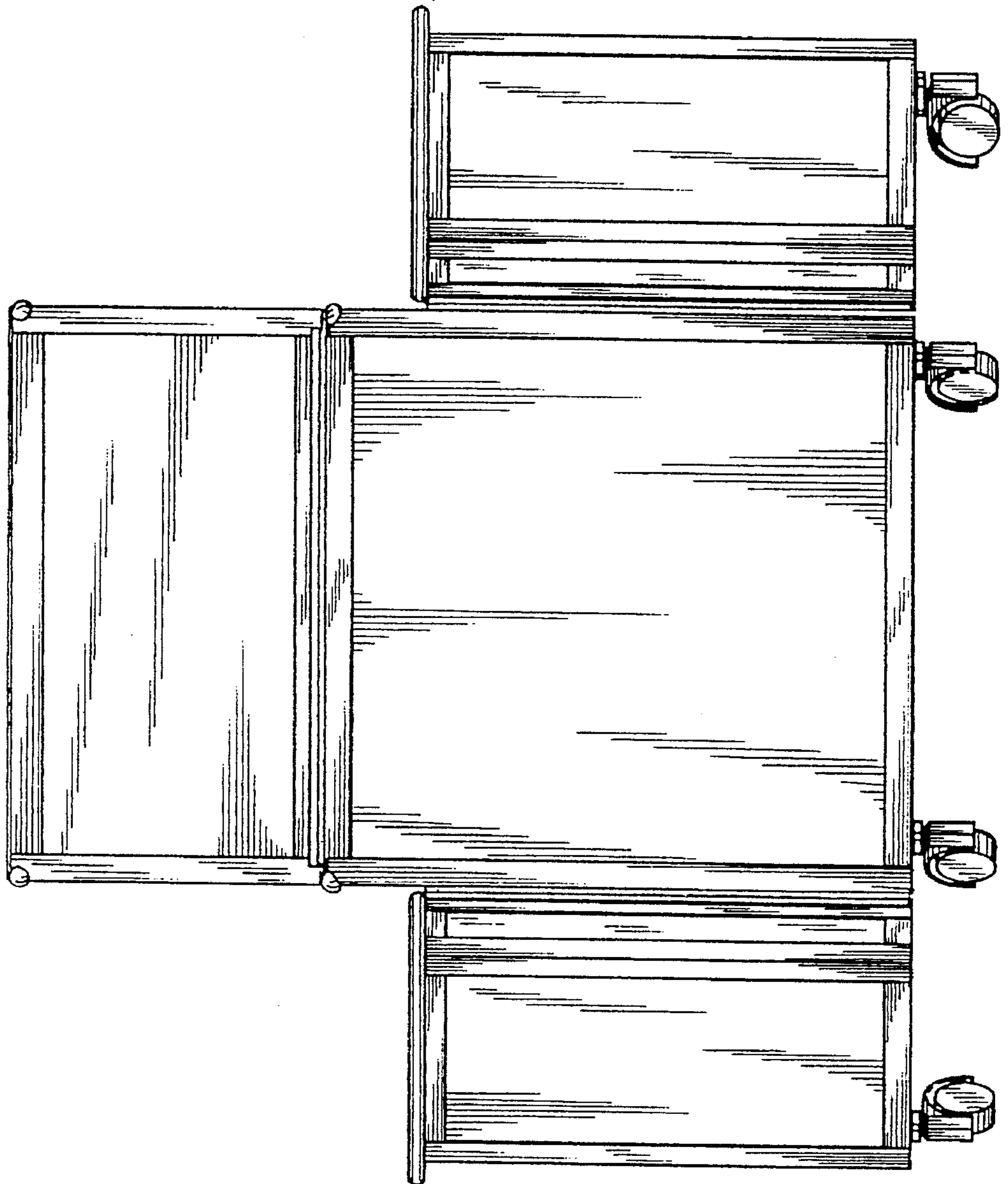


FIG. 3

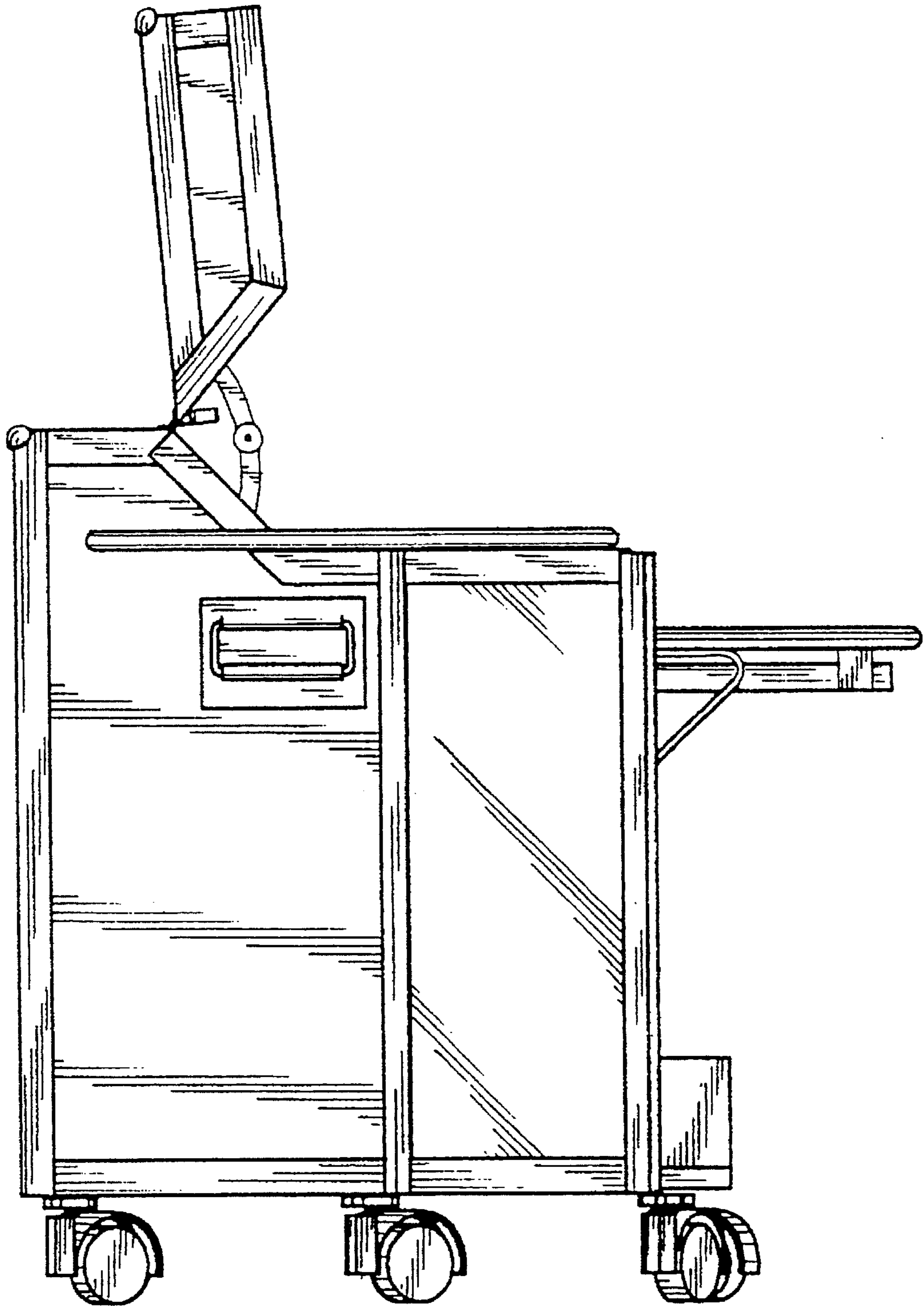
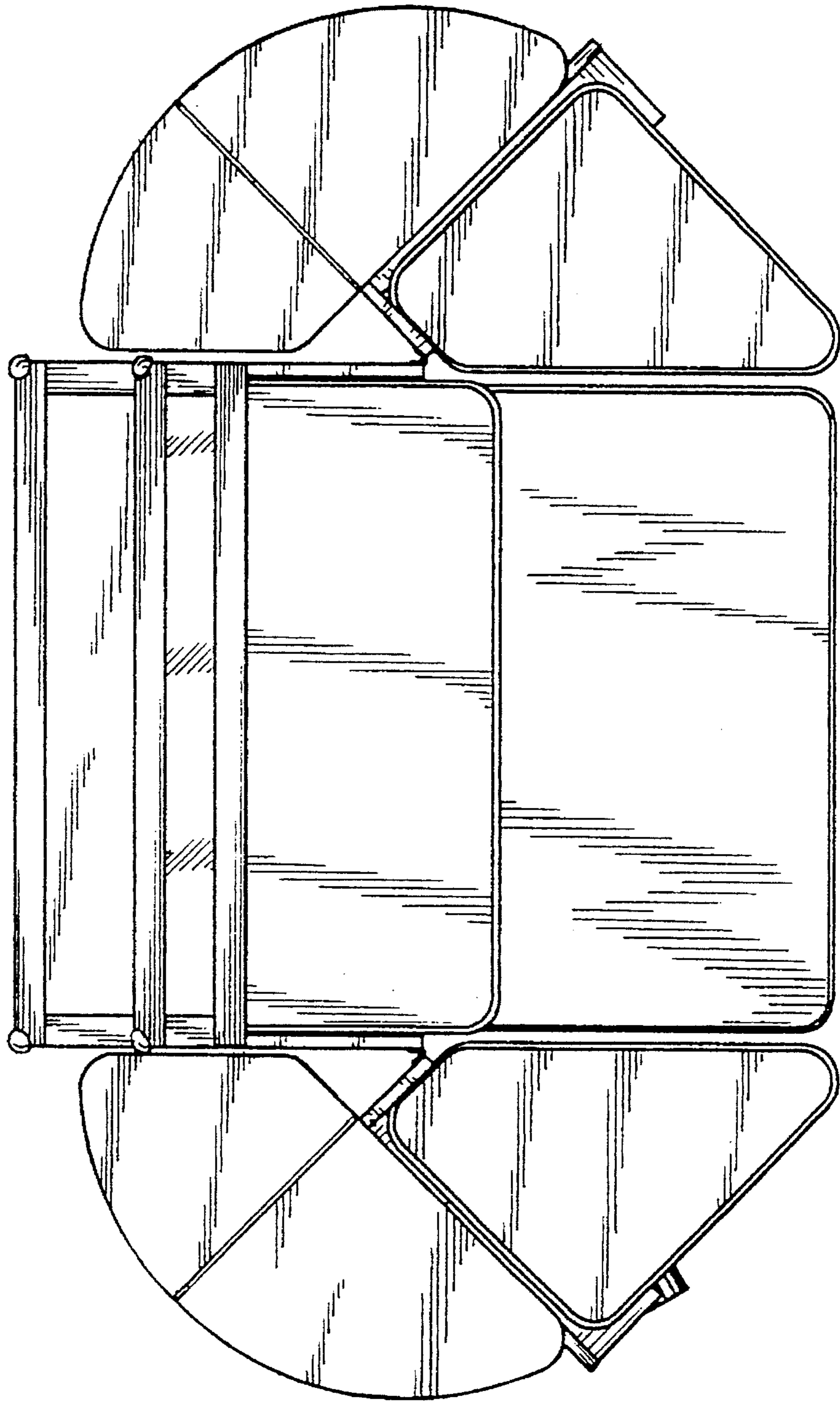


FIG. 4



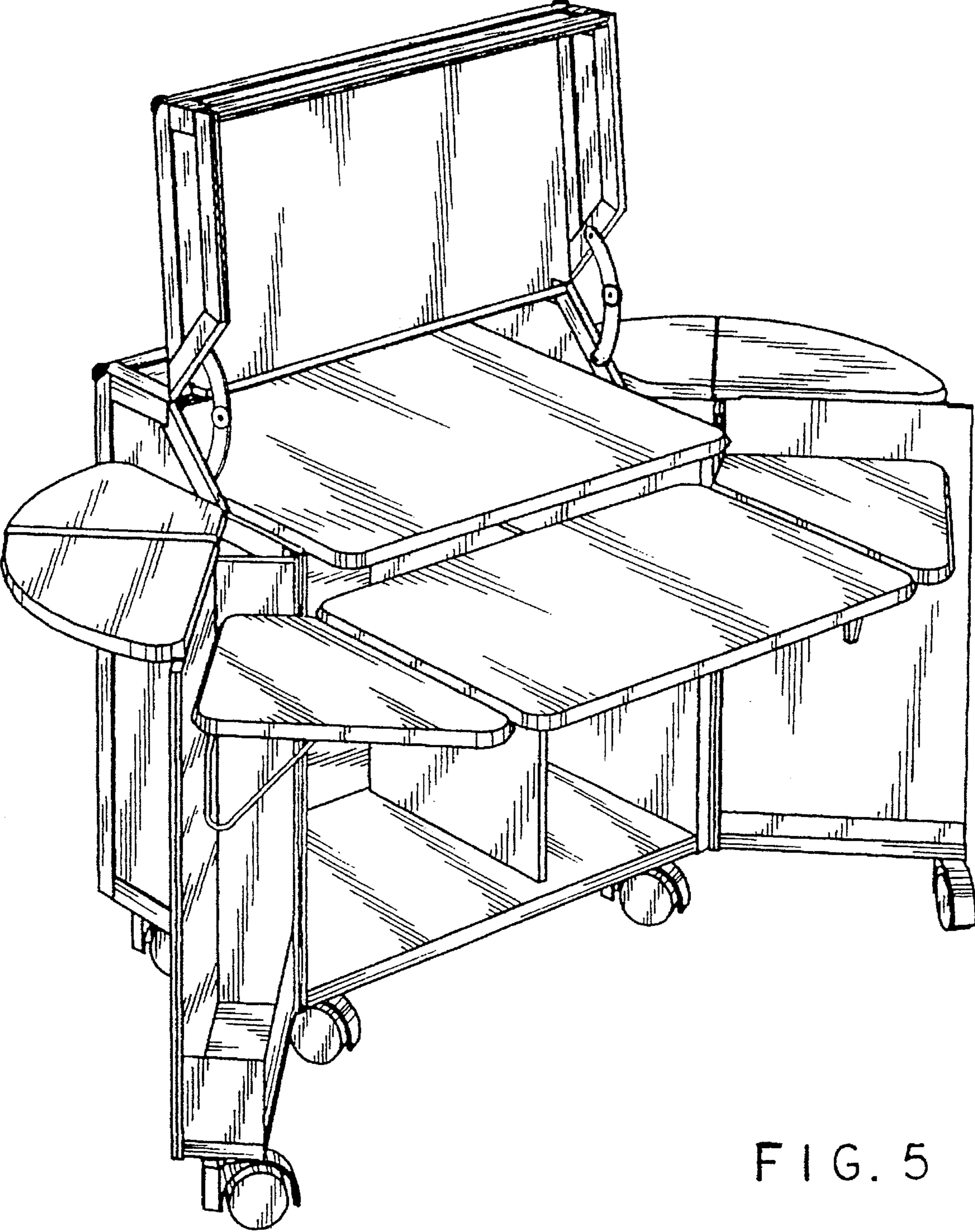
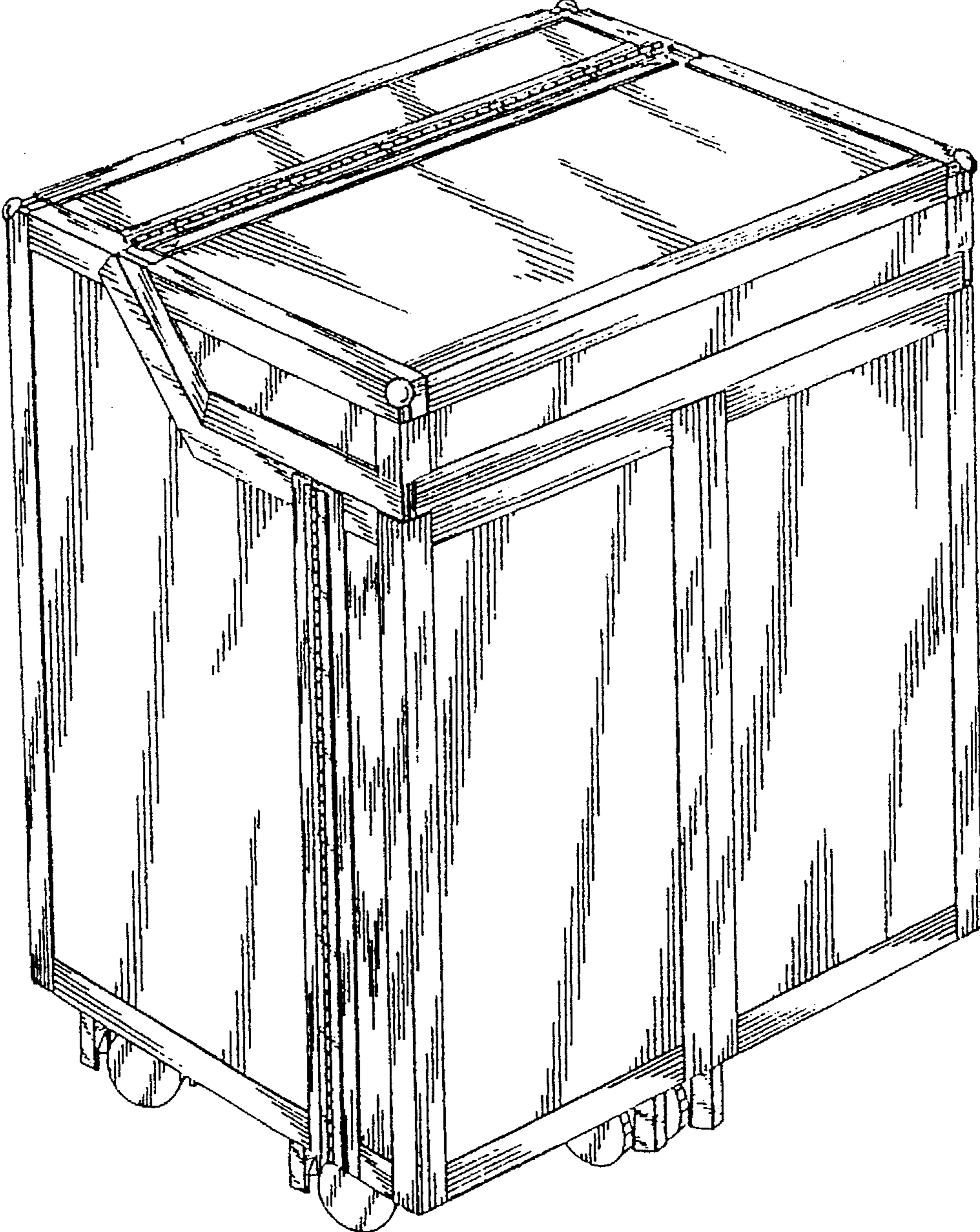


FIG. 5

FIG. 6



UNITED STATES PATENT AND TRADEMARK OFFICE
CERTIFICATE OF CORRECTION

PATENT NO. : Des. 377,126
DATED : January 7, 1997
INVENTOR(S) : Keith E. Foco et al

It is certified that error appears in the above-identified patent and that said Letters Patent is hereby corrected as shown below:

On the title page, column 1, line 1;
change "[54] FOLDABLE MOBILE" to
---[54] FOLDABLE MOBILE OFFICE---

Signed and Sealed this
Twelfth Day of August, 1997



Attest:

BRUCE LEHMAN

Attesting Officer

Commissioner of Patents and Trademarks