



US00D377125S

United States Patent [19]

Adamsson

[11] Patent Number: **Des. 377,125**

[45] Date of Patent: ****Jan. 7, 1997**

[54] **ELBOW REST**

[75] Inventor: **Stefan Adamsson**, Vänersborg, Sweden

[73] Assignee: **Sun-Flex AB**, Sweden

[**] Term: **14 Years**

[21] Appl. No.: **45,700**

[22] Filed: **Oct. 20, 1995**

[30] Foreign Application Priority Data

Aug. 14, 1995 [SE] Sweden 95-1536

[52] U.S. Cl. **D6/418**

[58] Field of Search D6/418; 248/118,
248/118.1, 118.5; 24/190

[56] References Cited

U.S. PATENT DOCUMENTS

D. 311,829	11/1990	Vossoughi	D6/418
481,293	8/1892	Bailey et al.	248/118
554,488	2/1896	Hofmeister	248/118.1 X
2,950,890	8/1960	Haugh, Jr.	248/118

3,124,328	3/1964	Kortsch	248/118
4,259,949	4/1981	Axelsson	248/118 X
4,913,393	4/1990	Wood	248/118 X

FOREIGN PATENT DOCUMENTS

8900111	1/1989	WIPO	248/118
9106233	5/1991	WIPO	248/118

Primary Examiner—Carmen H. Vales-Lado
Attorney, Agent, or Firm—Lerner, David, Littenberg, Krumholz & Mentlik

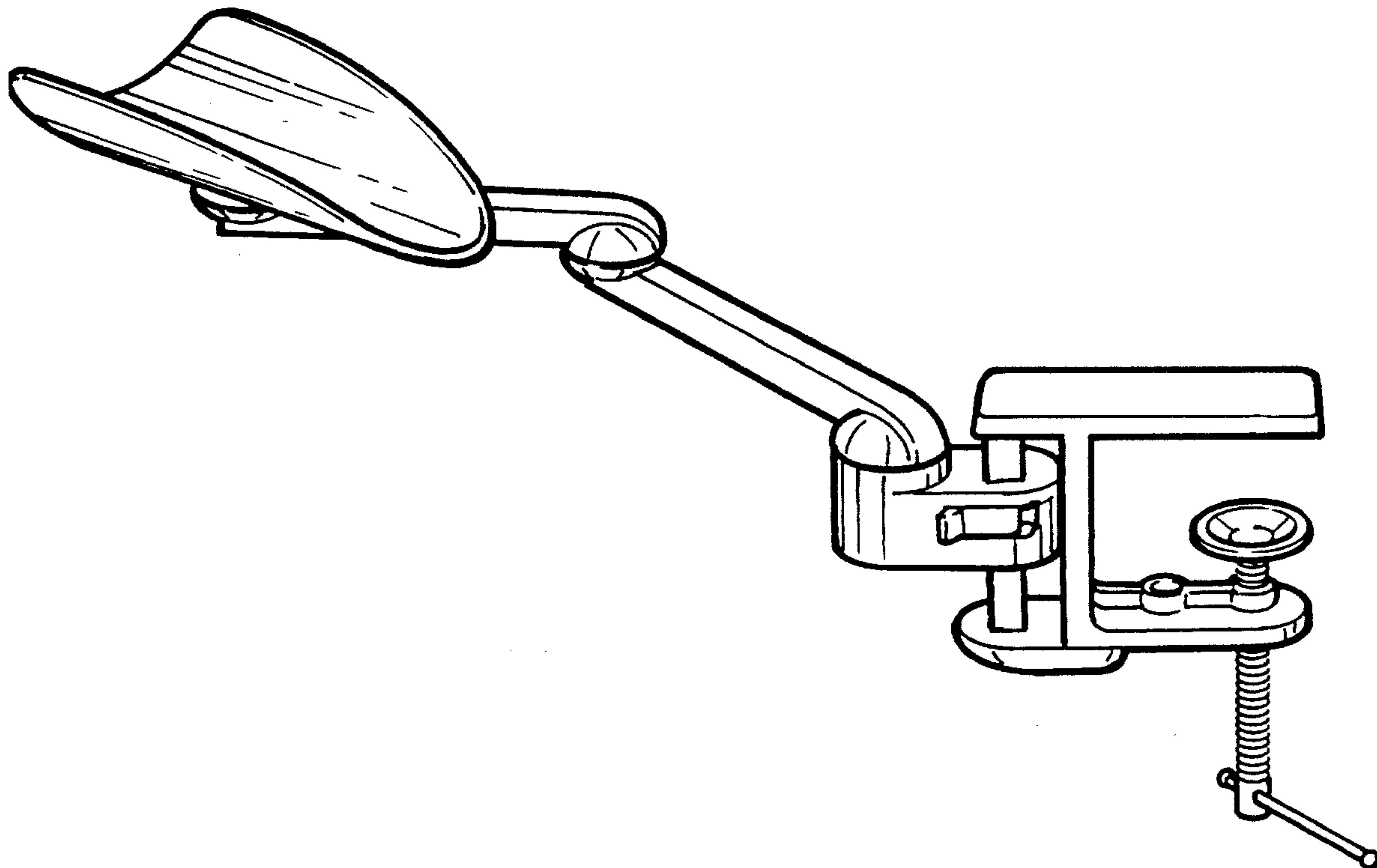
[57] CLAIM

The ornamental design for an elbow rest, as shown and described.

DESCRIPTION

FIG. 1 is a left side elevational view of an elbow rest showing my new design;
FIG. 2 is a top left perspective view thereof;
FIG. 3 is a top right perspective view thereof; and,
FIG. 4 is a bottom right perspective view thereof.

1 Claim, 4 Drawing Sheets



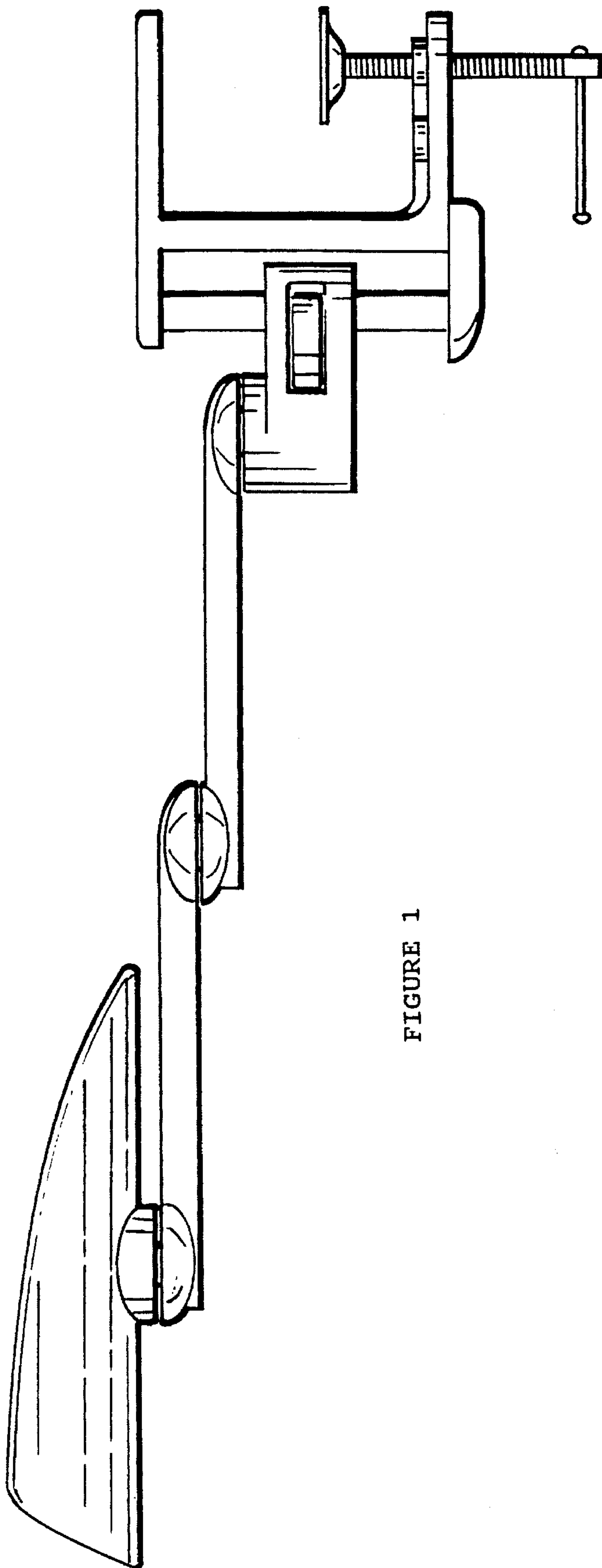


FIGURE 1

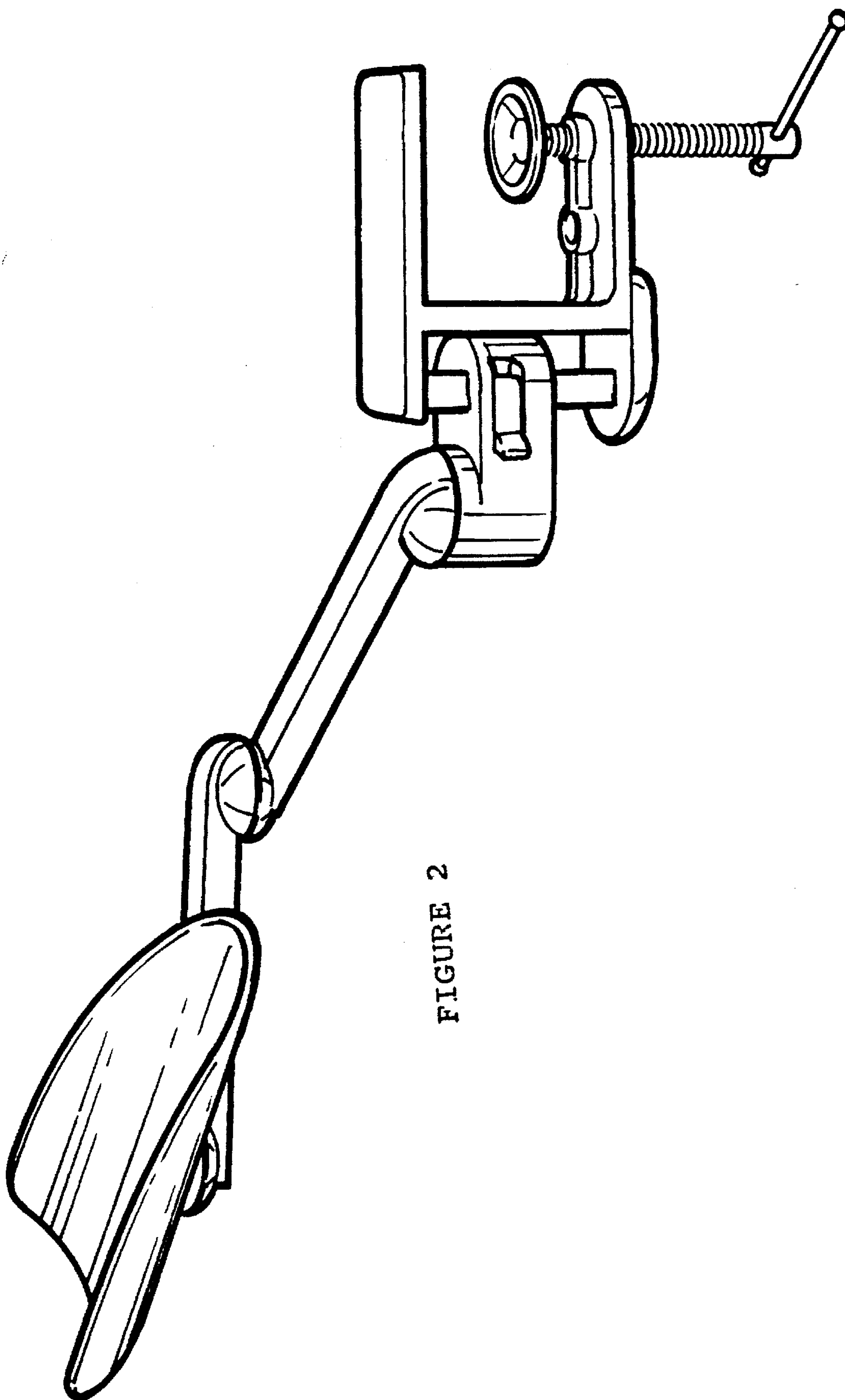
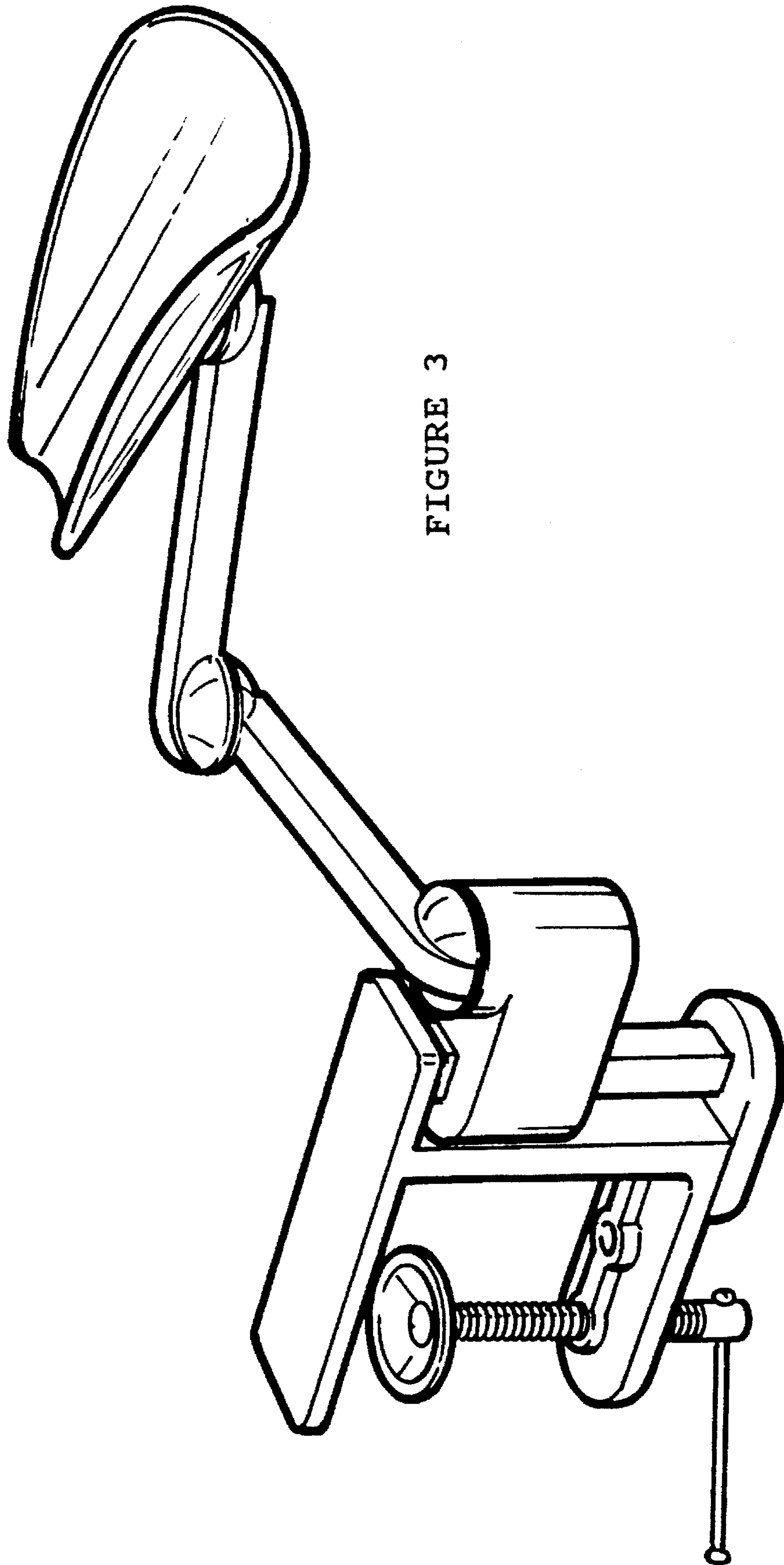


FIGURE 2



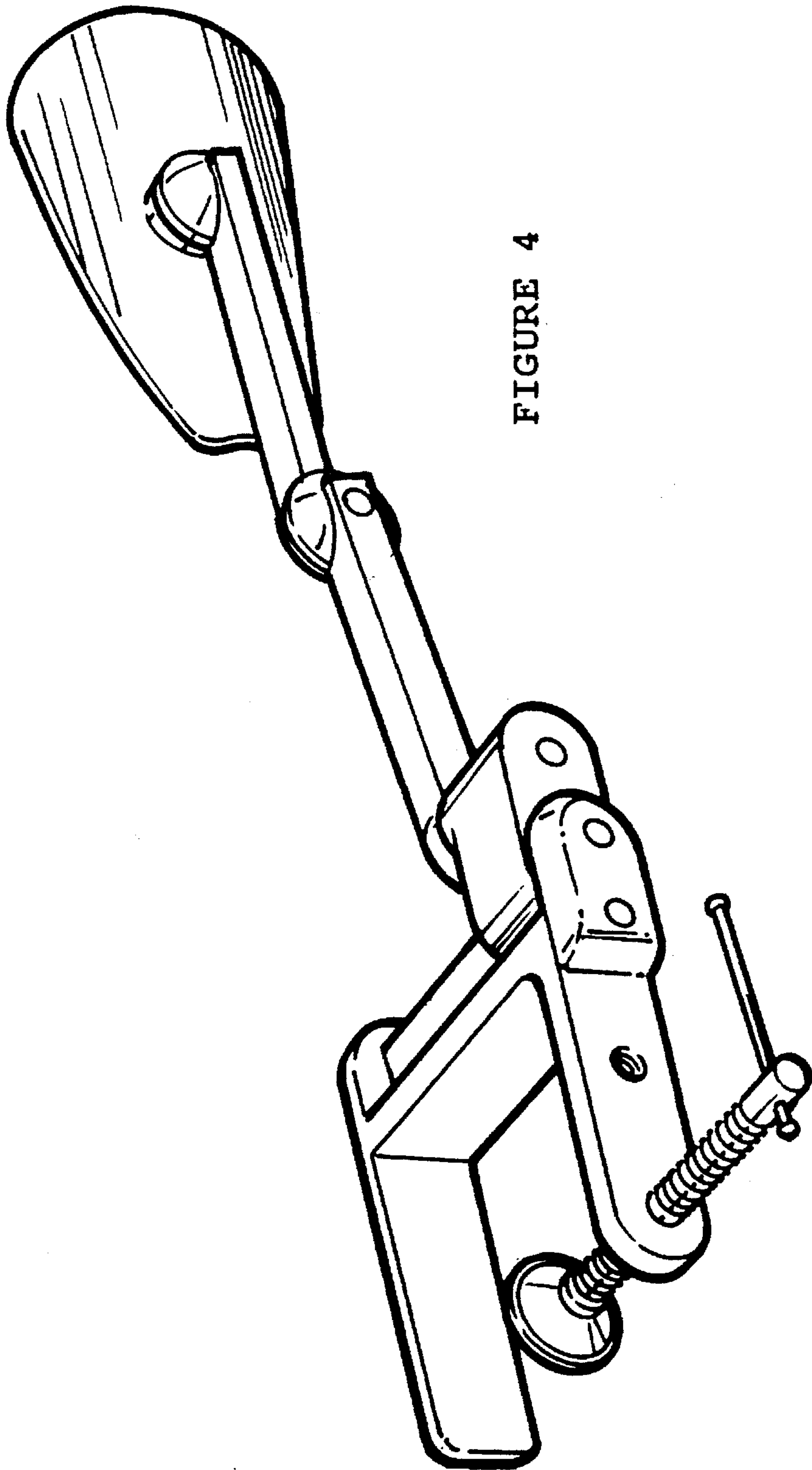


FIGURE 4