

United States Patent [19]
Lofton

[11] **Patent Number:** **Des. 377,122**
 [45] **Date of Patent:** ****Jan. 7, 1997**

[54] **BROOM**

[76] **Inventor:** **Benjamin F. Lofton**, 3207 Ridgeway Dr., Albany, Ga. 31707

[**] **Term:** **14 Years**

[21] **Appl. No.:** **40,012**

[22] **Filed:** **Jun. 8, 1995**

[52] **U.S. Cl.** **D4/132**

[58] **Field of Search** D4/121, 130, 132, D4/135, 138, 199; 15/111, 115, 143.1, 145, 159.1, 160, 171, 176.1, 176.2, 186, 187; D32/50, 51

[56] **References Cited**

U.S. PATENT DOCUMENTS

1,402,485	1/1922	Fredriksen	15/111
2,583,446	1/1952	Sinnard	15/115 X
2,607,941	8/1952	Price	15/160
3,524,210	8/1970	McLean	15/145
4,550,829	11/1985	Strahs	206/361
4,638,522	1/1987	Robertson	15/160
4,642,837	2/1987	Nichols et al.	15/171
5,274,872	1/1994	Rich	15/145

OTHER PUBLICATIONS

Sparta Brush Co., Inc.; Feb. 1978; Tank & Kettle Brush—Item No. 358PB & H358PB; p. 4.

Primary Examiner—A. Hugo Word
Assistant Examiner—Lavone D. Tabor
Attorney, Agent, or Firm—James A. Hudak

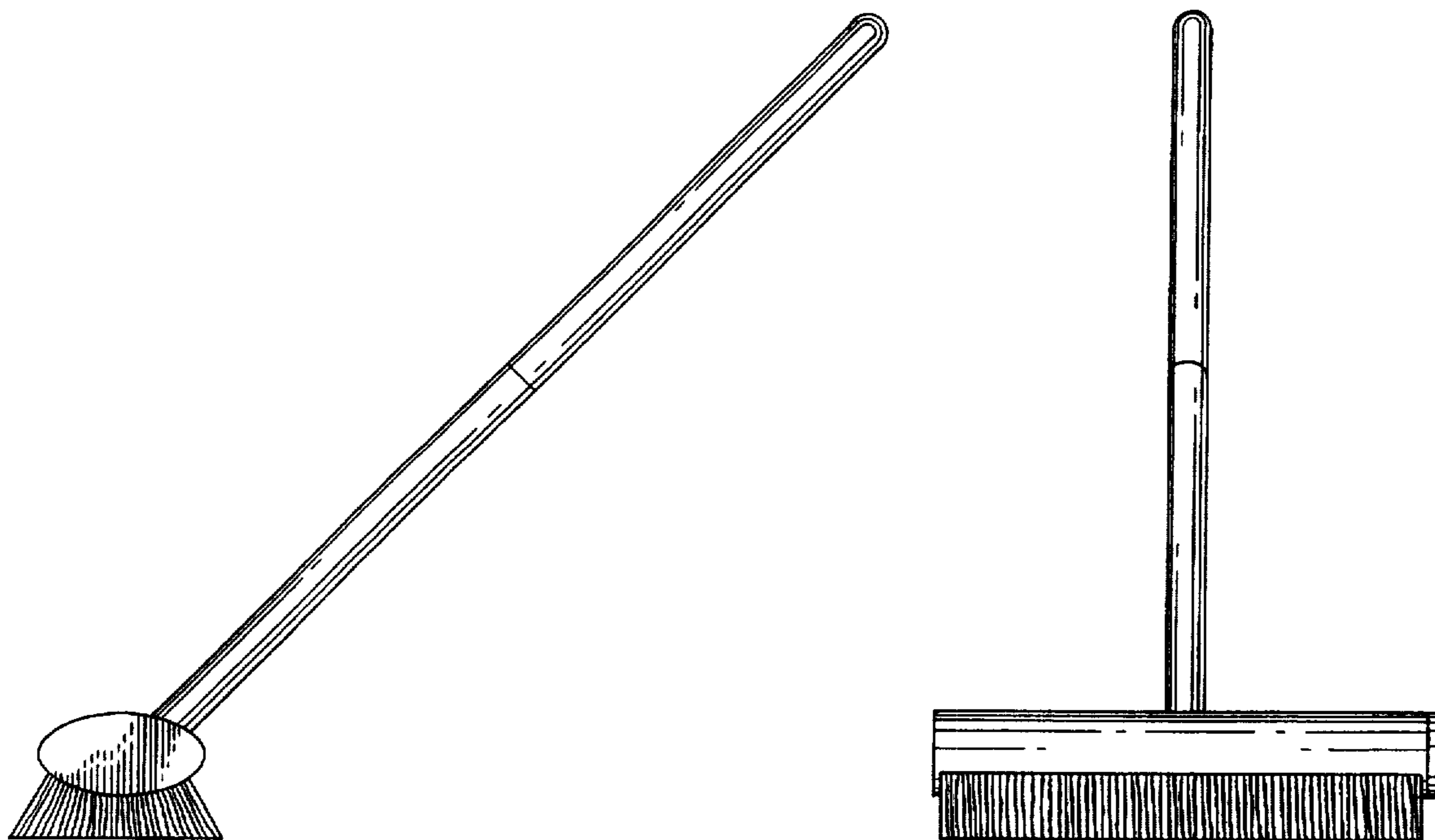
[57] **CLAIM**

The ornamental design for a broom, as shown and described.

DESCRIPTION

FIG. 1 is an exploded perspective view of the broom showing my new design;
 FIG. 2 is a front elevational view thereof in assembled condition;
 FIG. 3 is a rear elevational view thereof;
 FIG. 4 is a right side elevational view thereof, the left side elevational view being a mirror image of the view shown in this Figure;
 FIG. 5 is a top plan view thereof; and,
 FIG. 6 is a bottom plan view thereof.

1 Claim, 3 Drawing Sheets



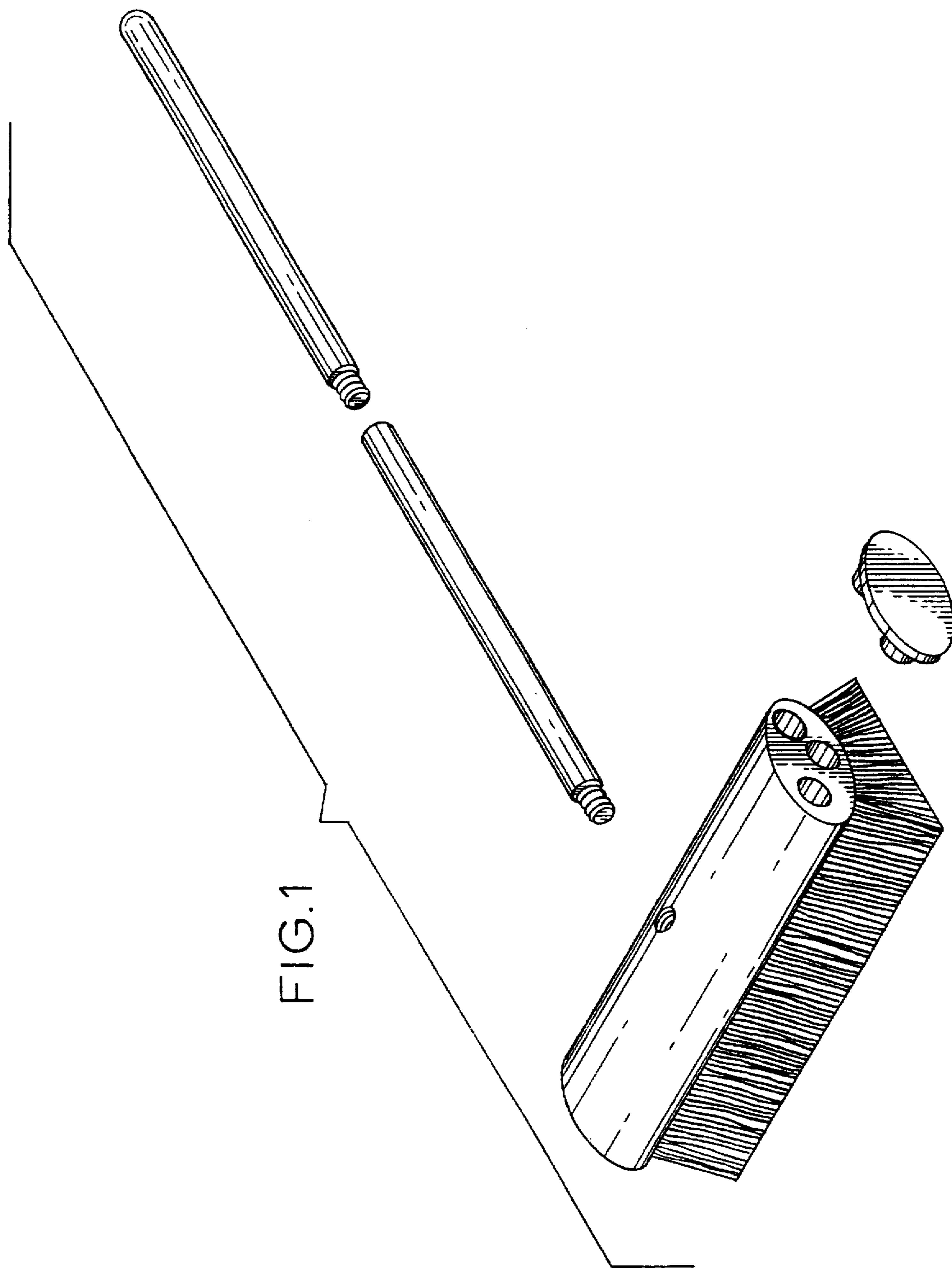


FIG. 1

FIG. 2

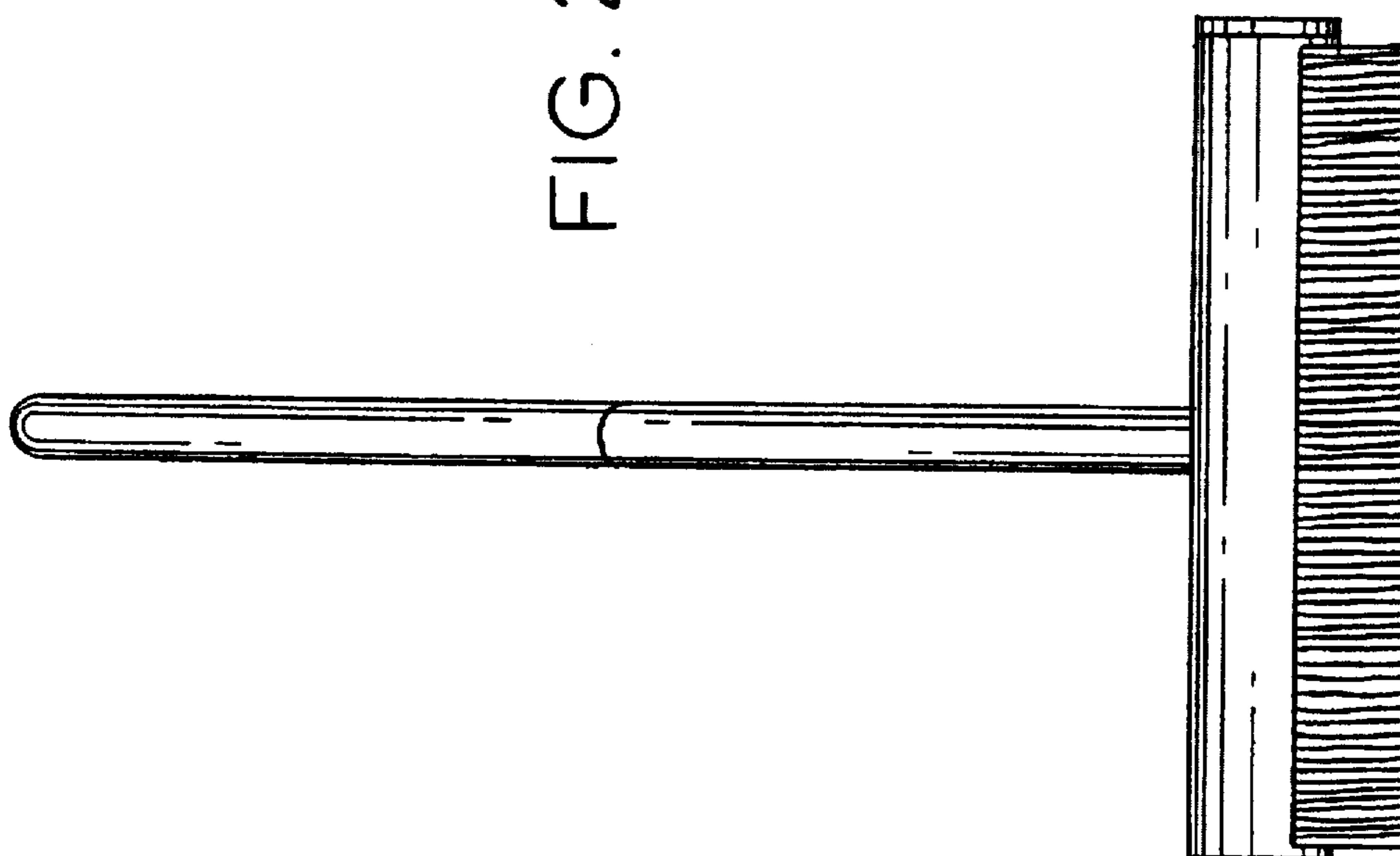


FIG. 4

