



US00D377120S

# United States Patent [19]

Fendi

[11] Patent Number: **Des. 377,120**

[45] Date of Patent: **\*\*Jan. 7, 1997**

[54] **CLASP FOR PURSES AND HANDBAGS**

[75] Inventor: **Paola Fendi**, Rome, Italy

[73] Assignee: **Fendi Paola & S.lle S.a.s.**, Rome, Italy

[\*\*] Term: **14 Years**

[21] Appl. No.: **34,608**

[22] Filed: **Feb. 8, 1995**

### [30] Foreign Application Priority Data

Aug. 11, 1994 [WO] WIPO ..... DM/030.395

[52] U.S. Cl. .... **D3/318**; D11/200; D11/218

[58] Field of Search ..... D3/201, 232, 318, D3/322, 327, 328; D11/200, 201, 216, 217, 218, 219; D19/65; 24/170, 335, 616; 150/118, 120; D2/627; 248/305; D8/367, 382; D30/139

### [56] References Cited

#### U.S. PATENT DOCUMENTS

D. 77,791	2/1929	Slote	.....	D11/218
209,233	10/1878	Cox	.....	24/335 X
D. 335,476	5/1993	Stathis	.....	D11/216

D. 349,664	8/1994	Ueno	.....	D11/218 X
2,137,920	11/1938	Manickas	.....	24/616
2,368,543	1/1945	Hattenrath	.....	24/616

#### FOREIGN PATENT DOCUMENTS

839731 6/1952 Germany ..... 24/335

*Primary Examiner*—Louis S. Zarfes

*Assistant Examiner*—Monica A. Hannon

*Attorney, Agent, or Firm*—Barnes, Kisselle, Raisch, Choate, Whittemore & Hulbert, P.C.

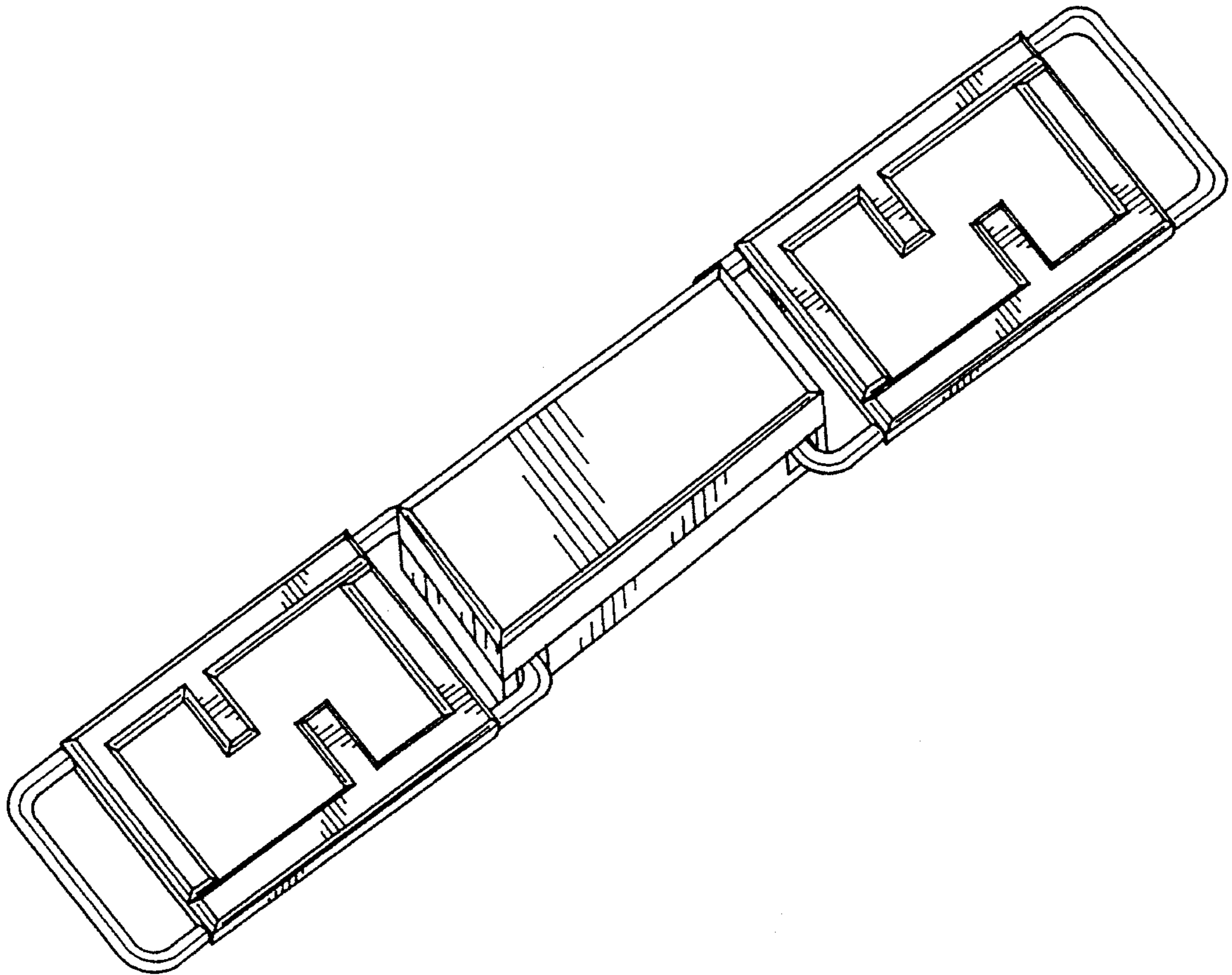
### [57] CLAIM

The ornamental design for a clasp for purses and handbags, as shown.

### DESCRIPTION

FIG. 1 is a top plan view of the clasp for purses and handbags embodying my new design;  
 FIG. 2 is a plan view of the clasp in open position;  
 FIG. 3 is an exploded view of the clasp in open position;  
 FIG. 4 is a bottom view of the clasp in closed position;  
 FIG. 5 is a front view;  
 FIG. 6 is a top perspective view; and,  
 FIG. 7 is a bottom perspective view.

**1 Claim, 4 Drawing Sheets**



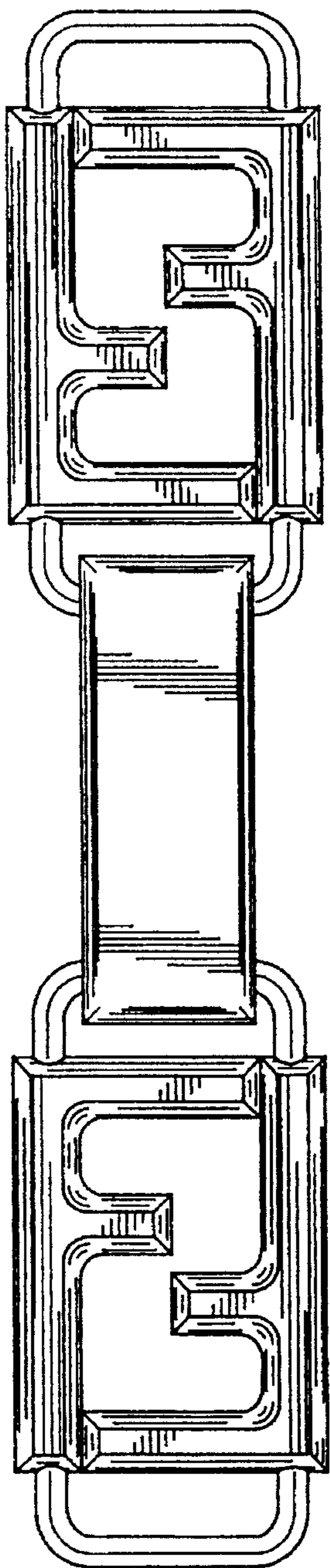


FIG. 1

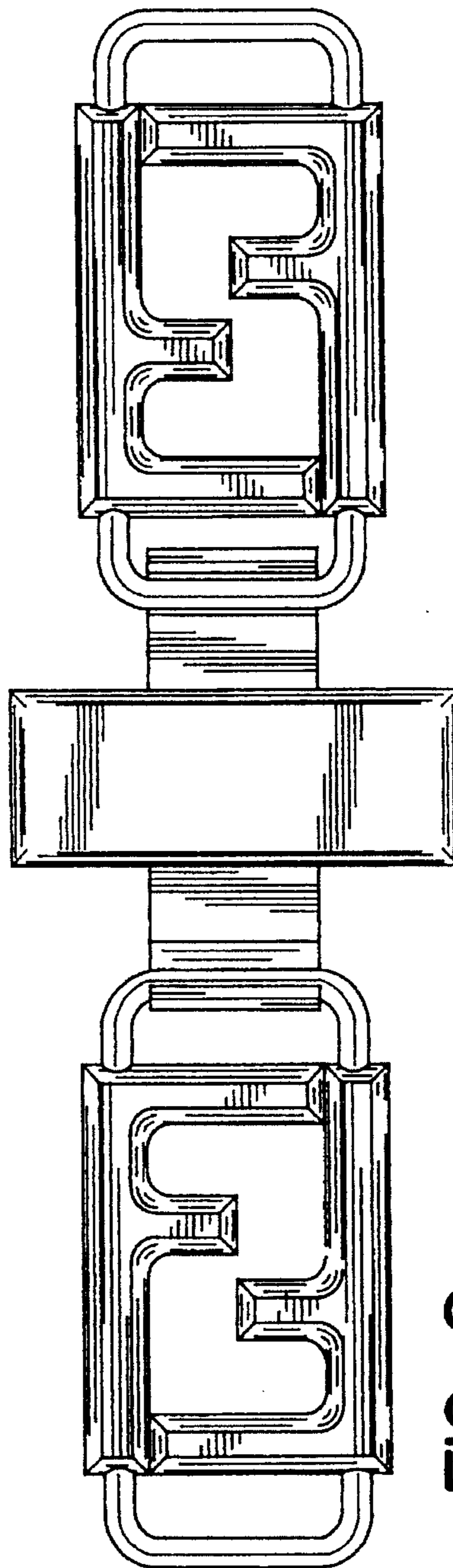


FIG. 2

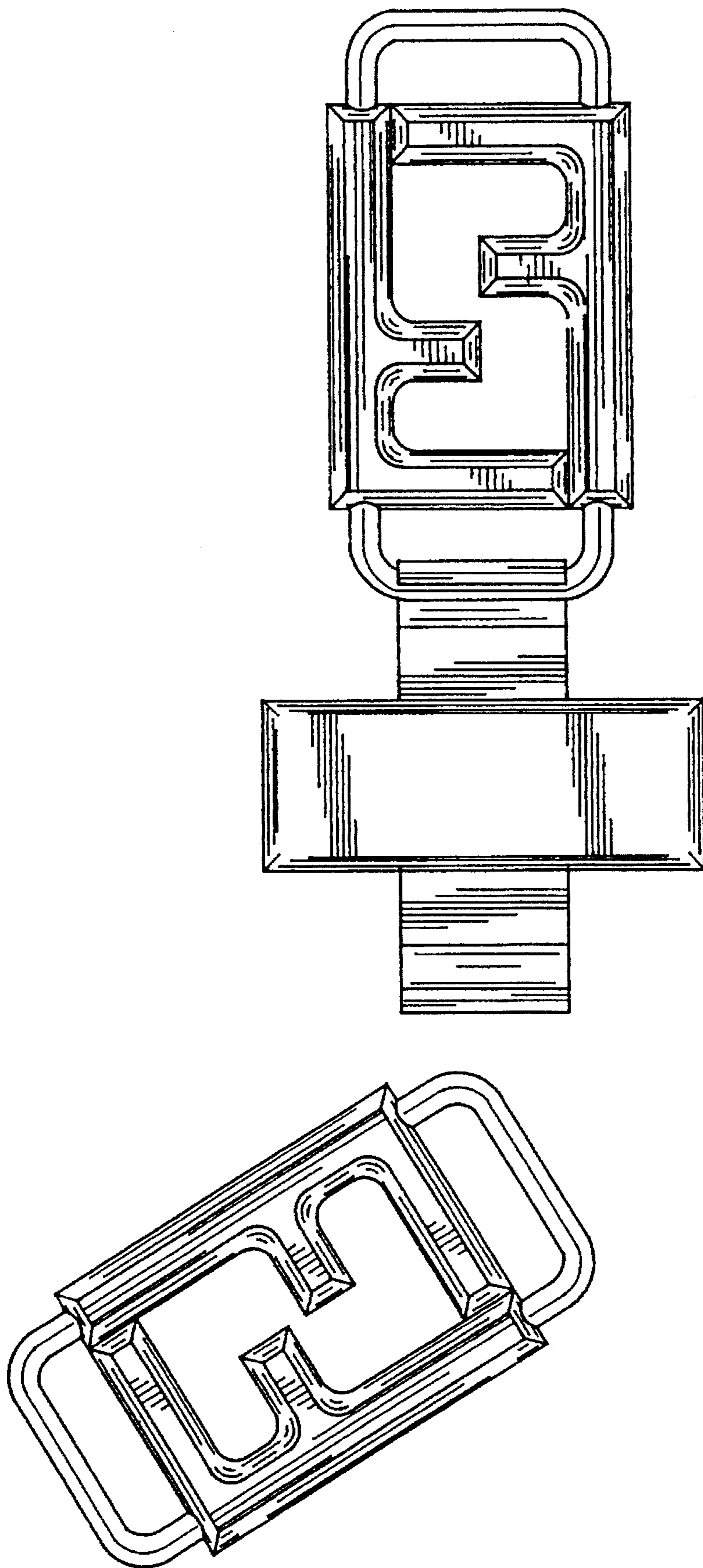


FIG. 3



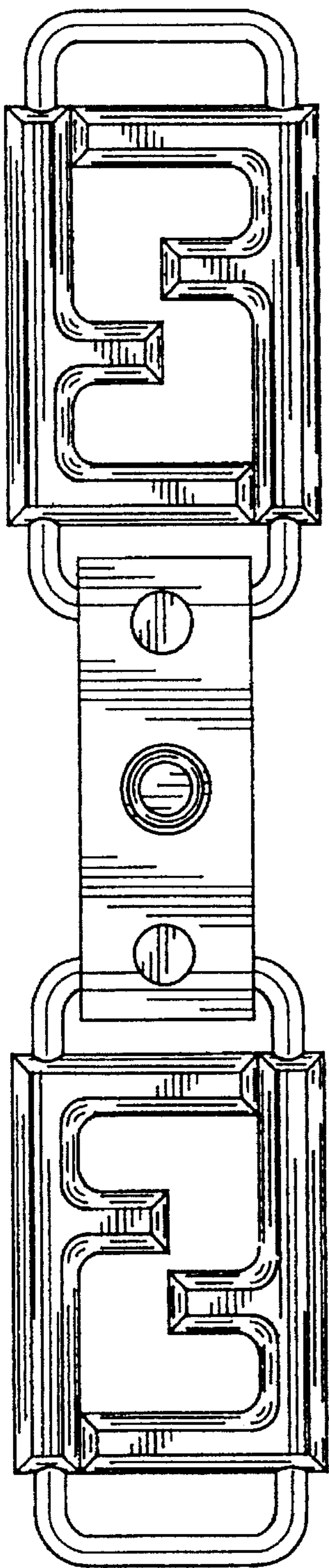


FIG. 4

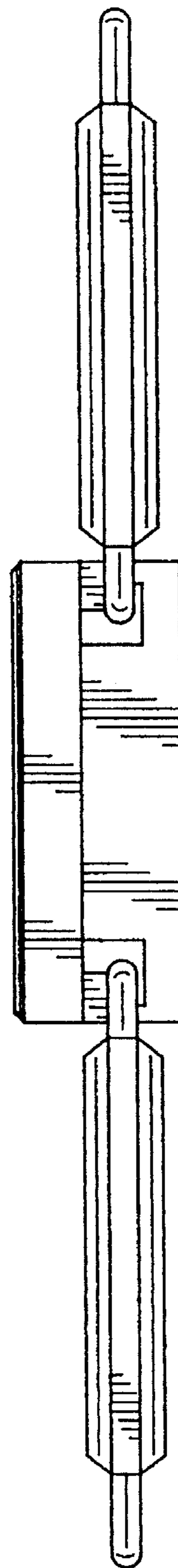


FIG. 5

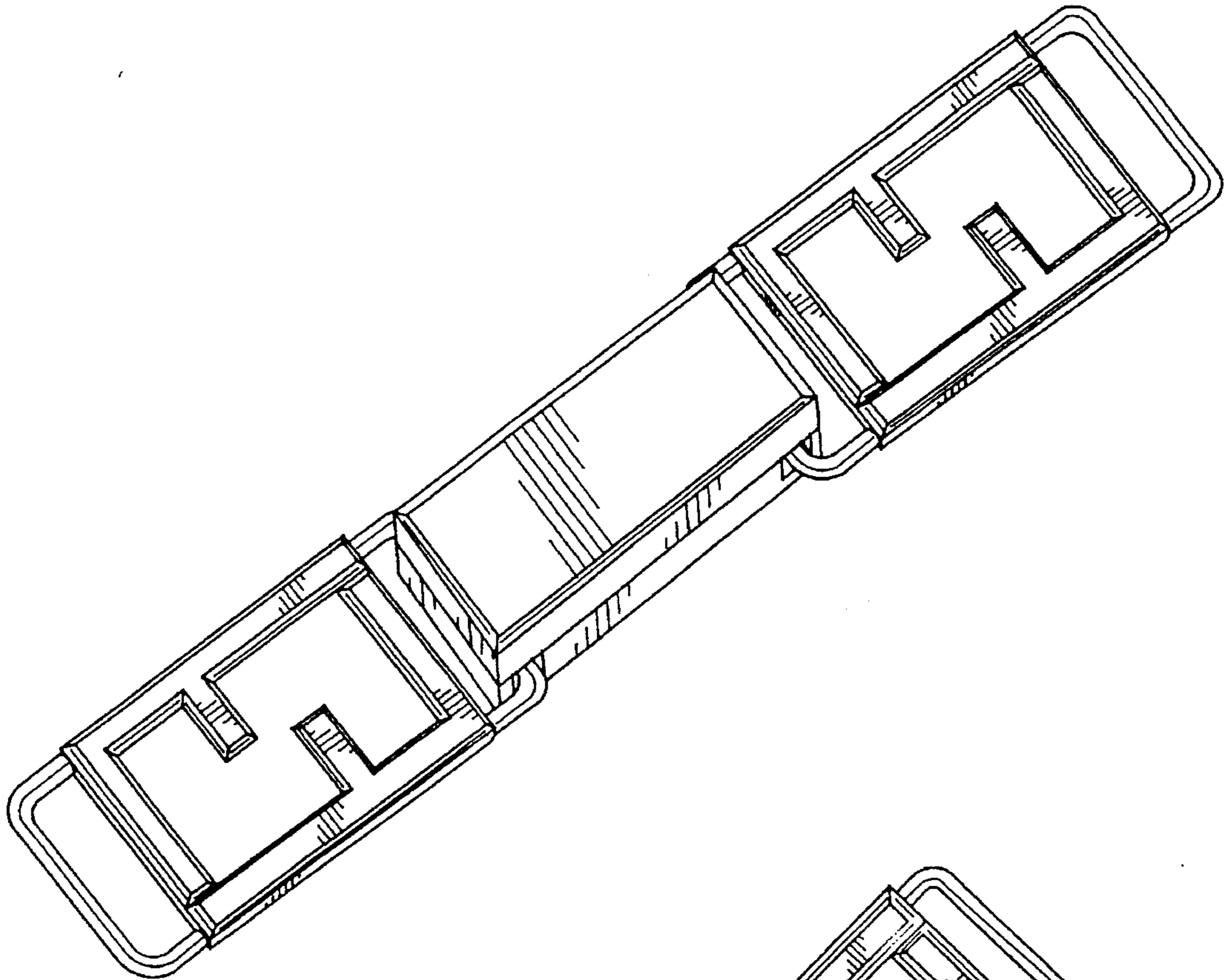


FIG. 6

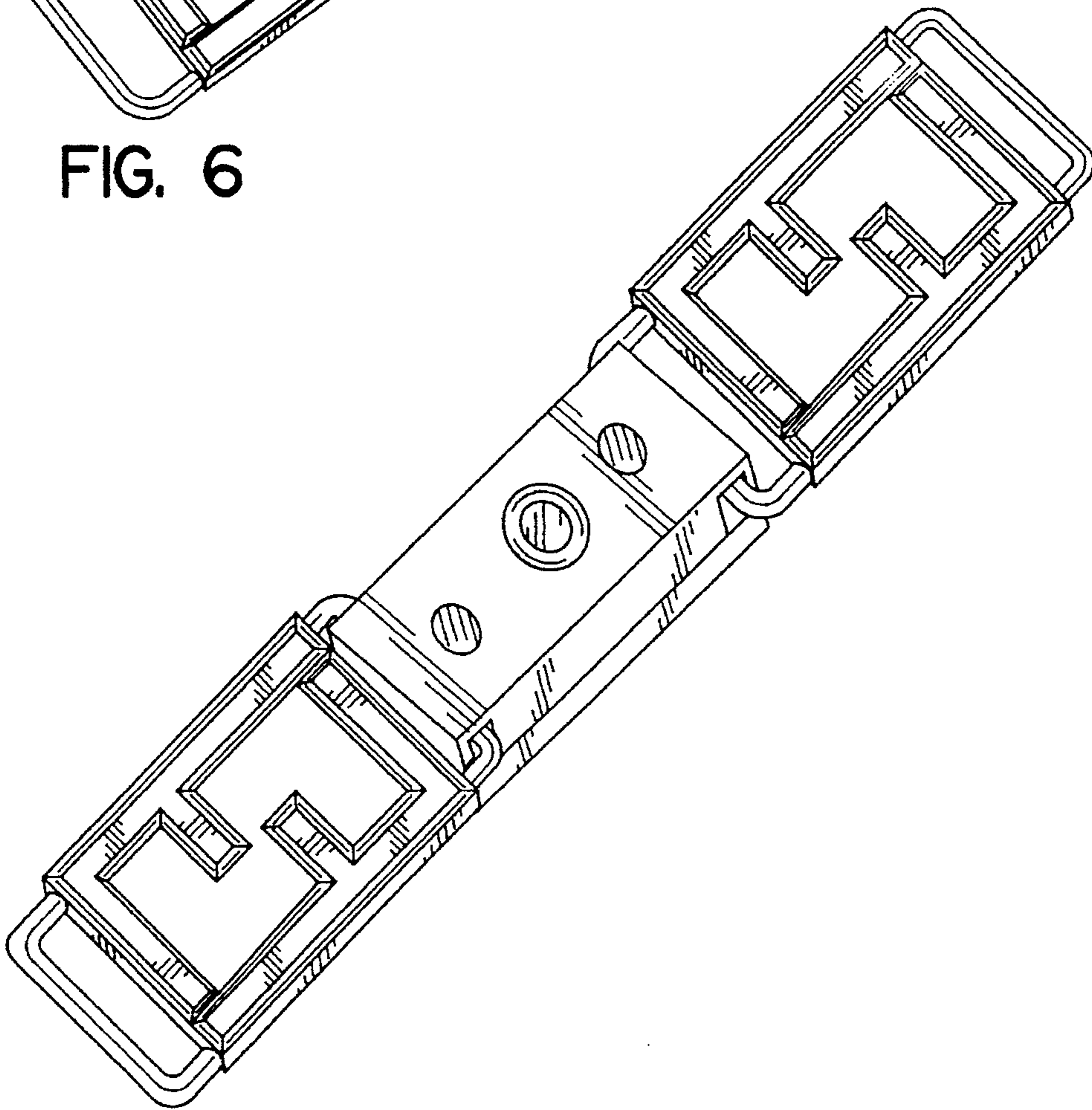


FIG. 7