



US00D377105S

United States Patent [19] Yuen

[11] Patent Number: **Des. 377,105**

[45] Date of Patent: ****Dec. 31, 1996**

[54] **RECHARGEABLE FLASHLIGHT**

D. 363,138 10/1995 Poon D26/46

[75] Inventor: **Se K. Yuen**, Kowloon, Hong Kong

Primary Examiner—A. Hugo Word

Assistant Examiner—Lavone D. Tabor

[73] Assignee: **John Manufacturing Limited**,
Kowloon, Hong Kong

Attorney, Agent, or Firm—Merchant, Gould, Smith, Edell,
Welter & Schmidt, P.A.

[**] Term: **14 Years**

[57] **CLAIM**

[21] Appl. No.: **47,490**

The ornamental design for a rechargeable flashlight, as shown and described.

[22] Filed: **Dec. 5, 1995**

DESCRIPTION

[30] **Foreign Application Priority Data**

Jul. 24, 1995 [GB] United Kingdom 2049028

[52] U.S. Cl. **D26/38**

[58] Field of Search D26/37, 38, 44,
D26/45, 46, 49; 362/157, 158, 200-205,
207, 208

FIG. 1 is a perspective view of a rechargeable flashlight showing my new design;

FIG. 2 is a front elevational view thereof;

FIG. 3 is a rear elevational view thereof;

FIG. 4 is a top plan view thereof;

FIG. 5 is a bottom plan view thereof;

FIG. 6 is a right side elevational view thereof, the left side being a mirror image; and,

FIG. 7 is an exploded right side elevational view thereof with the battery shown removed.

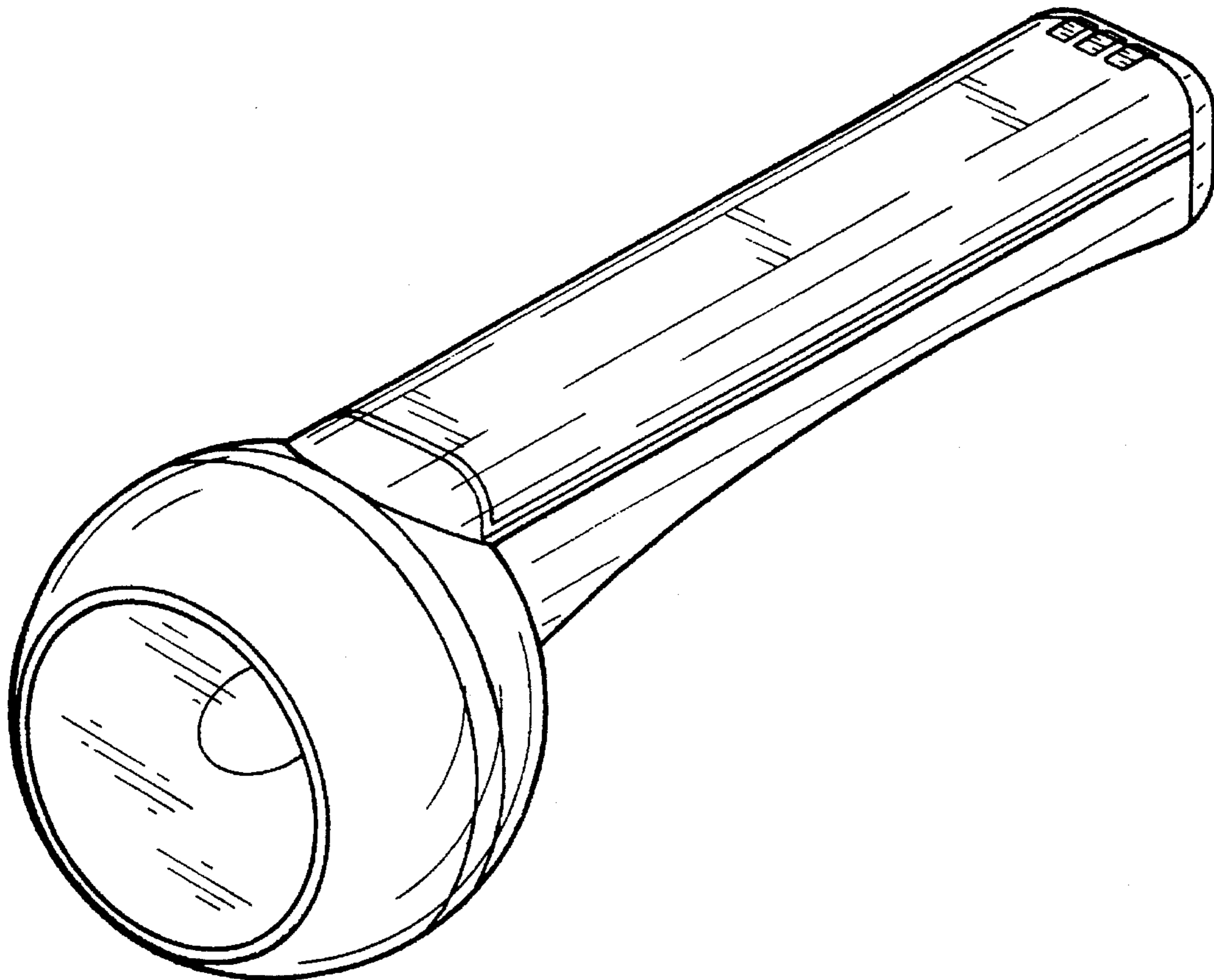
FIGS. 2-7 are shown on an enlarged scale.

[56] **References Cited**

U.S. PATENT DOCUMENTS

- D. 140,335 2/1945 Chapman D26/37
- D. 230,068 1/1974 Numbers D26/49
- D. 324,110 2/1992 Yuen D26/44

1 Claim, 6 Drawing Sheets



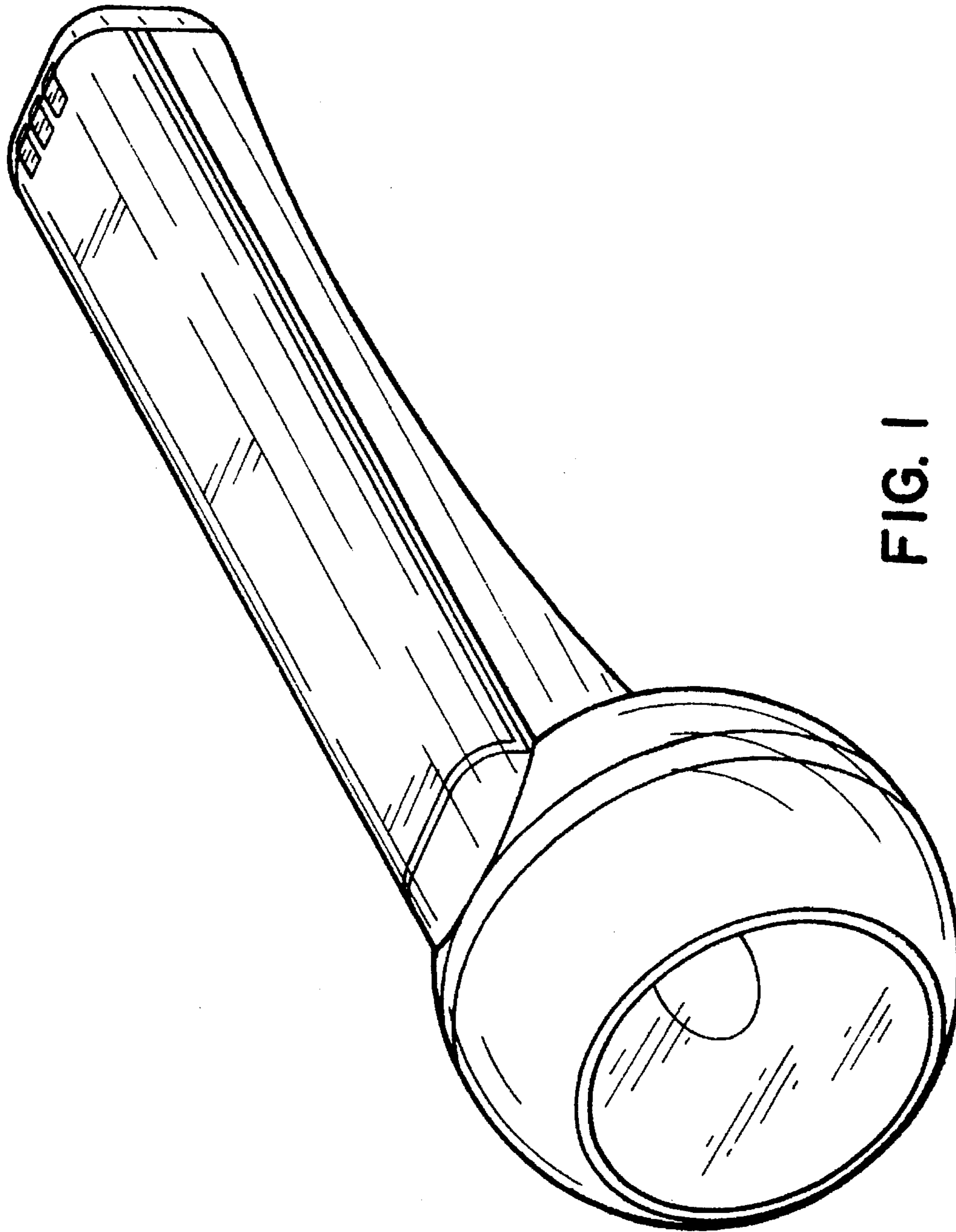


FIG. 1

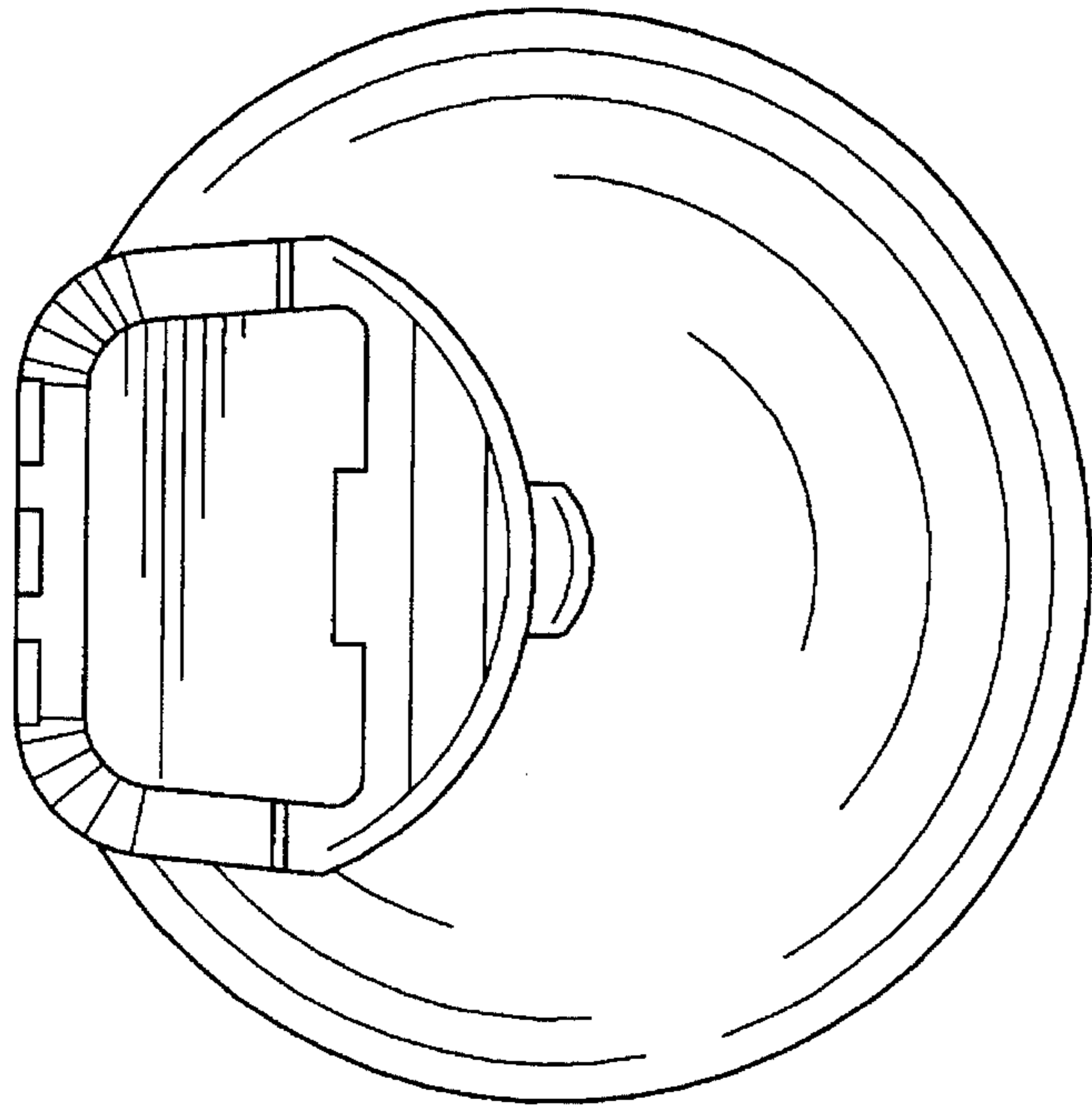


FIG. 3

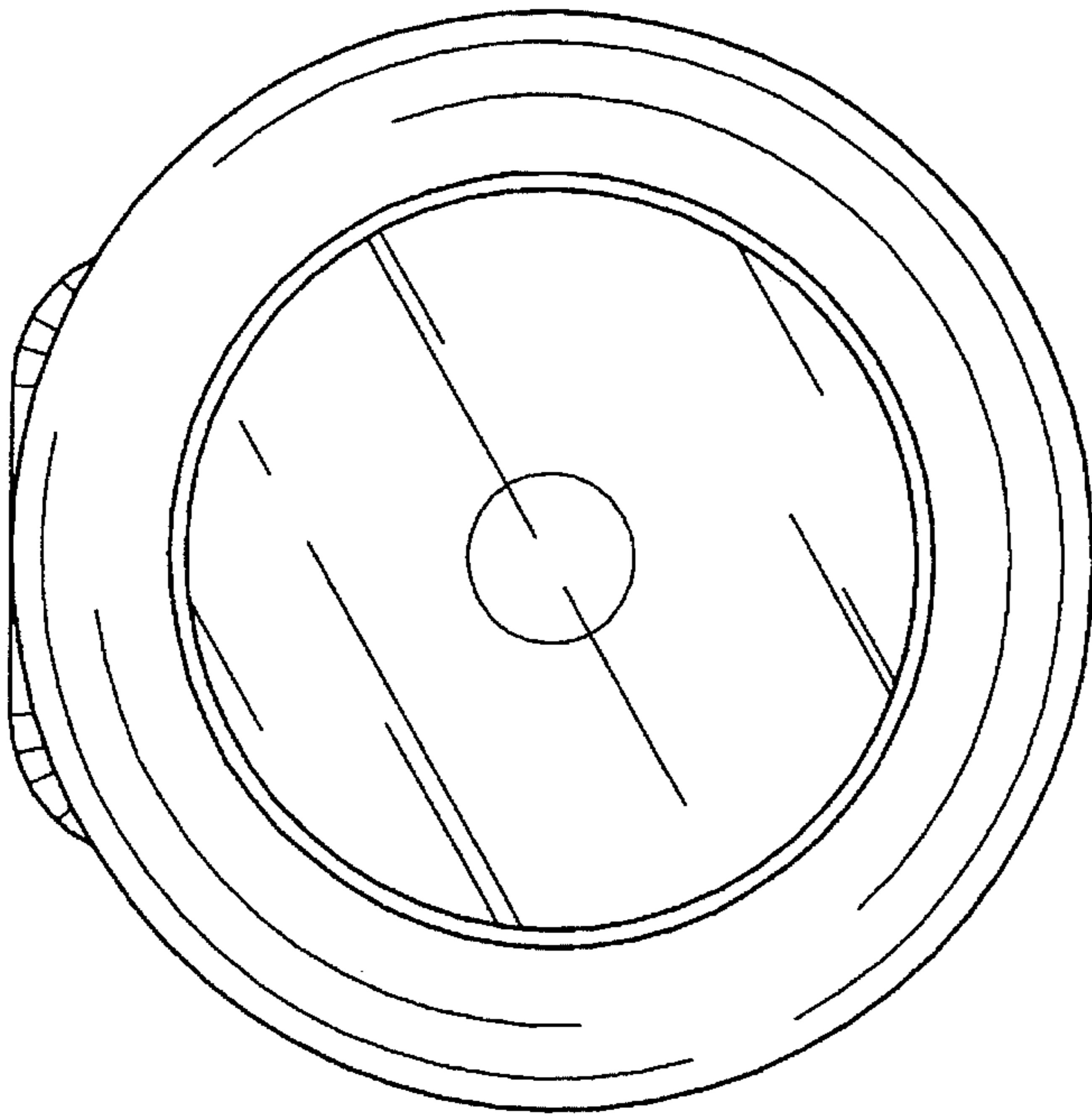


FIG. 2

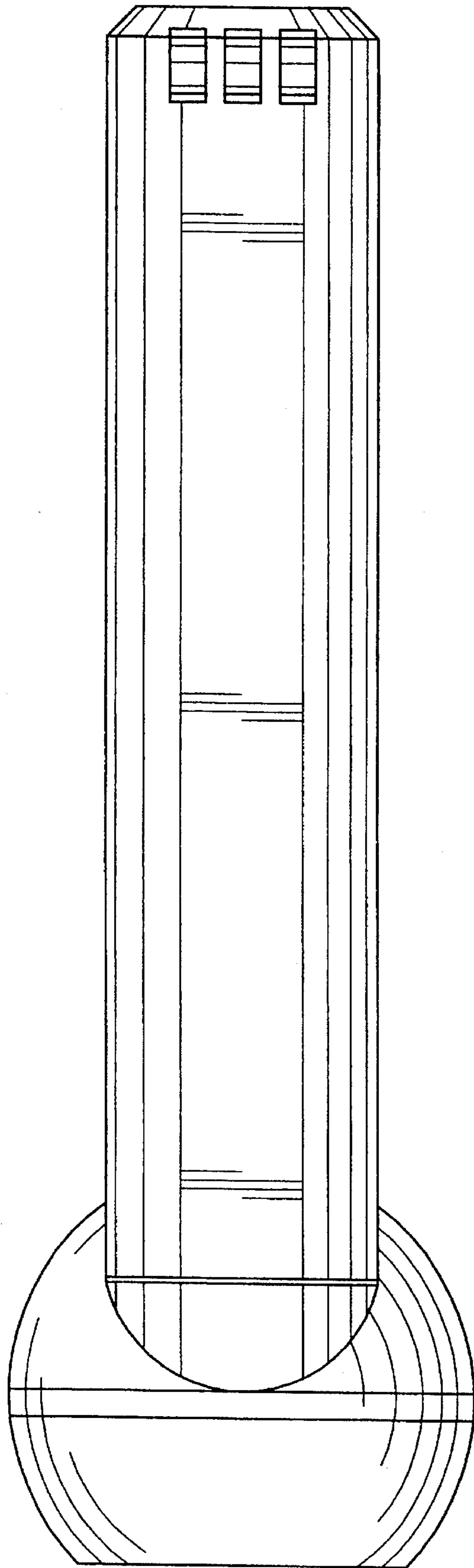


FIG. 4

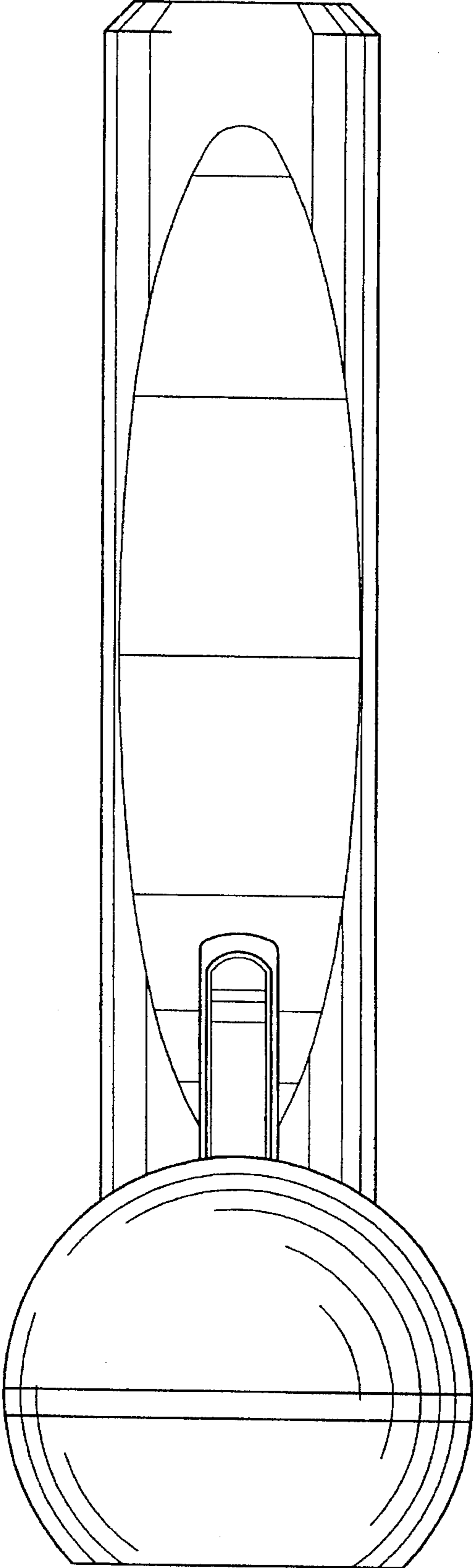


FIG. 5

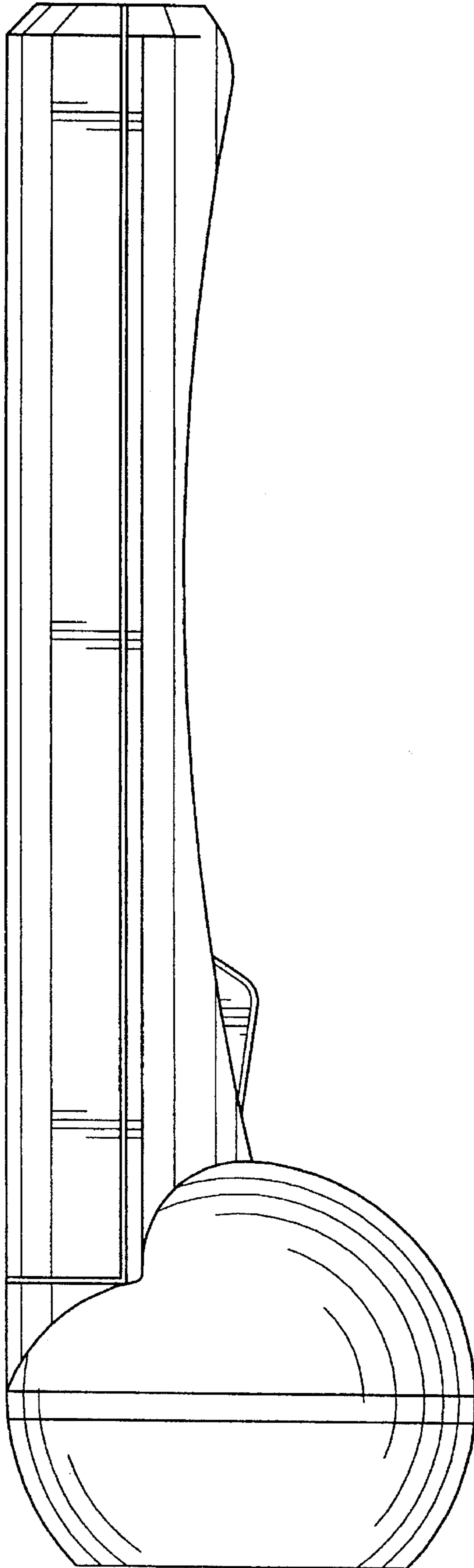


FIG. 6

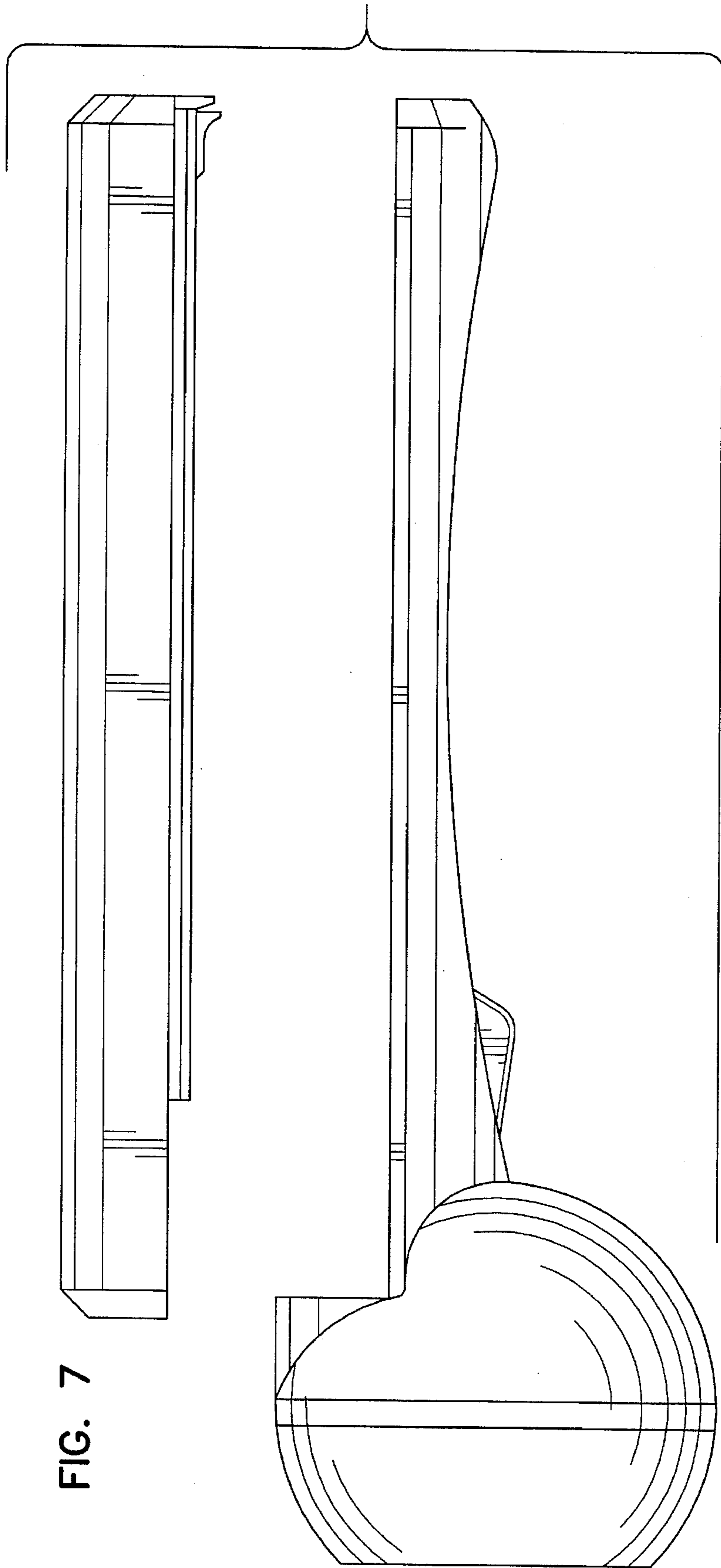


FIG. 7