



US00D377104S

**United States Patent** [19]  
**Roberts**

[11] **Patent Number: Des. 377,104**

[45] **Date of Patent: \*\*Dec. 31, 1996**

[54] **LAMP WITH HEAT SINK**

5,183,330 2/1993 Rishel et al. .... 362/419 X

[75] **Inventor: Roy D. Roberts, Newark, Calif.**

*Primary Examiner*—Susan J. Lucas

*Attorney, Agent, or Firm*—Law Offices of Thomas E. Schatzel

[73] **Assignee: ILC Technology, Inc., Sunnyvale, Calif.**

[\*\*] **Term: 14 Years**

[57] **CLAIM**

The ornamental design for a lamp with heat sink, as shown and described.

[21] **Appl. No.: 37,451**

[22] **Filed: Apr. 13, 1995**

[52] **U.S. Cl. .... D26/24**

[58] **Field of Search .... D26/24, 61, 63, D26/65; 362/362, 264, 294, 269, 275, 418, 419, 427**

**DESCRIPTION**

FIG. 1 is a top, front and left side perspective view of an embodiment of a lamp with heat sink showing my new design;

FIG. 2 is a top plan view thereof;

FIG. 3 is a front elevational view thereof;

FIG. 4 is a left side elevational view thereof and a mirror image of a right side elevational view thereof;

FIG. 5 is a rear elevational view thereof; and,

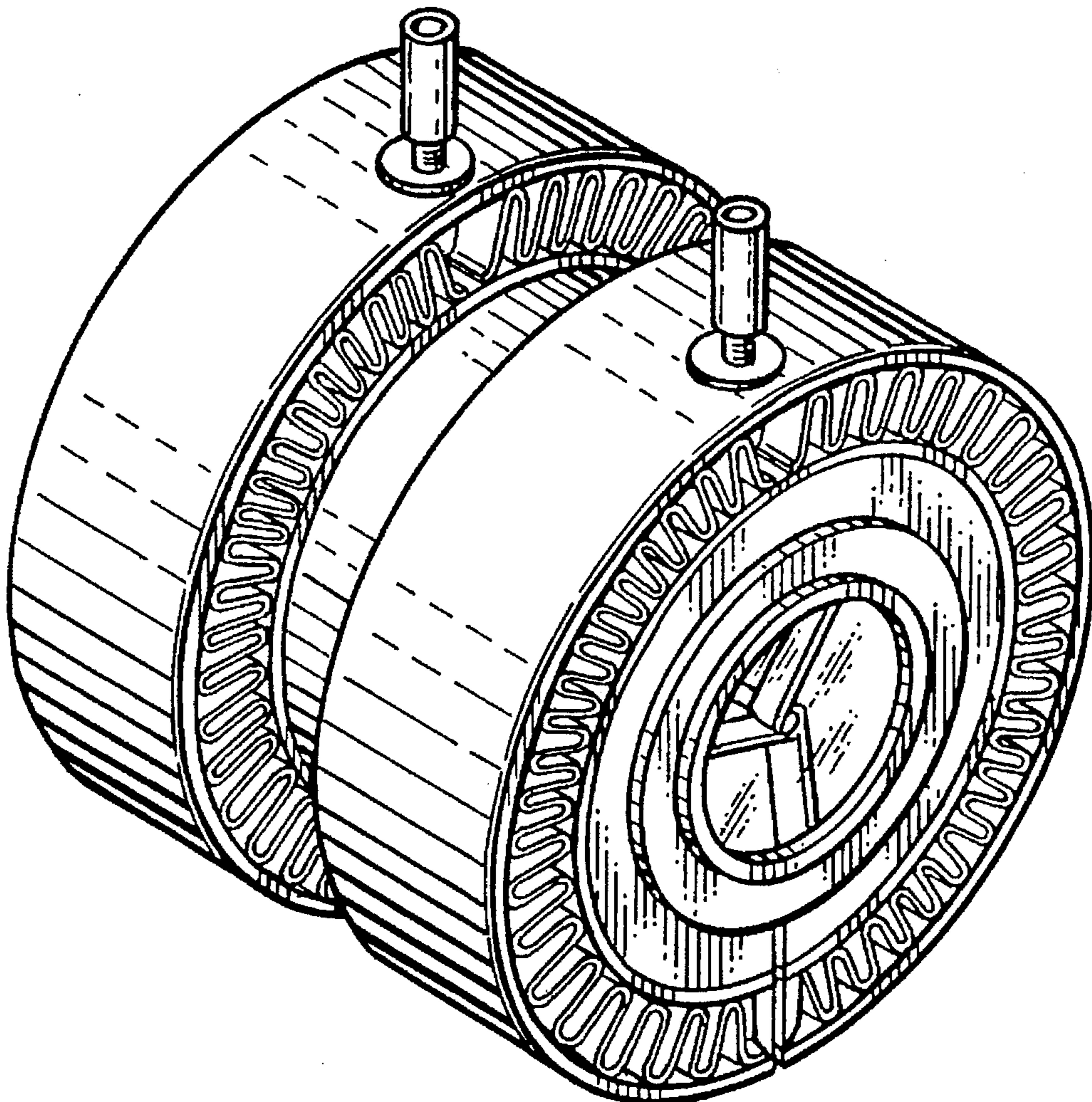
FIG. 6 is a bottom plan view thereof.

[56] **References Cited**

**U.S. PATENT DOCUMENTS**

D. 296,014 5/1988 Wierzbicki ..... D26/63  
4,546,420 10/1985 Wheeler et al. .... 362/264 X  
4,935,853 6/1990 Collins ..... 362/294 X

**1 Claim, 1 Drawing Sheet**



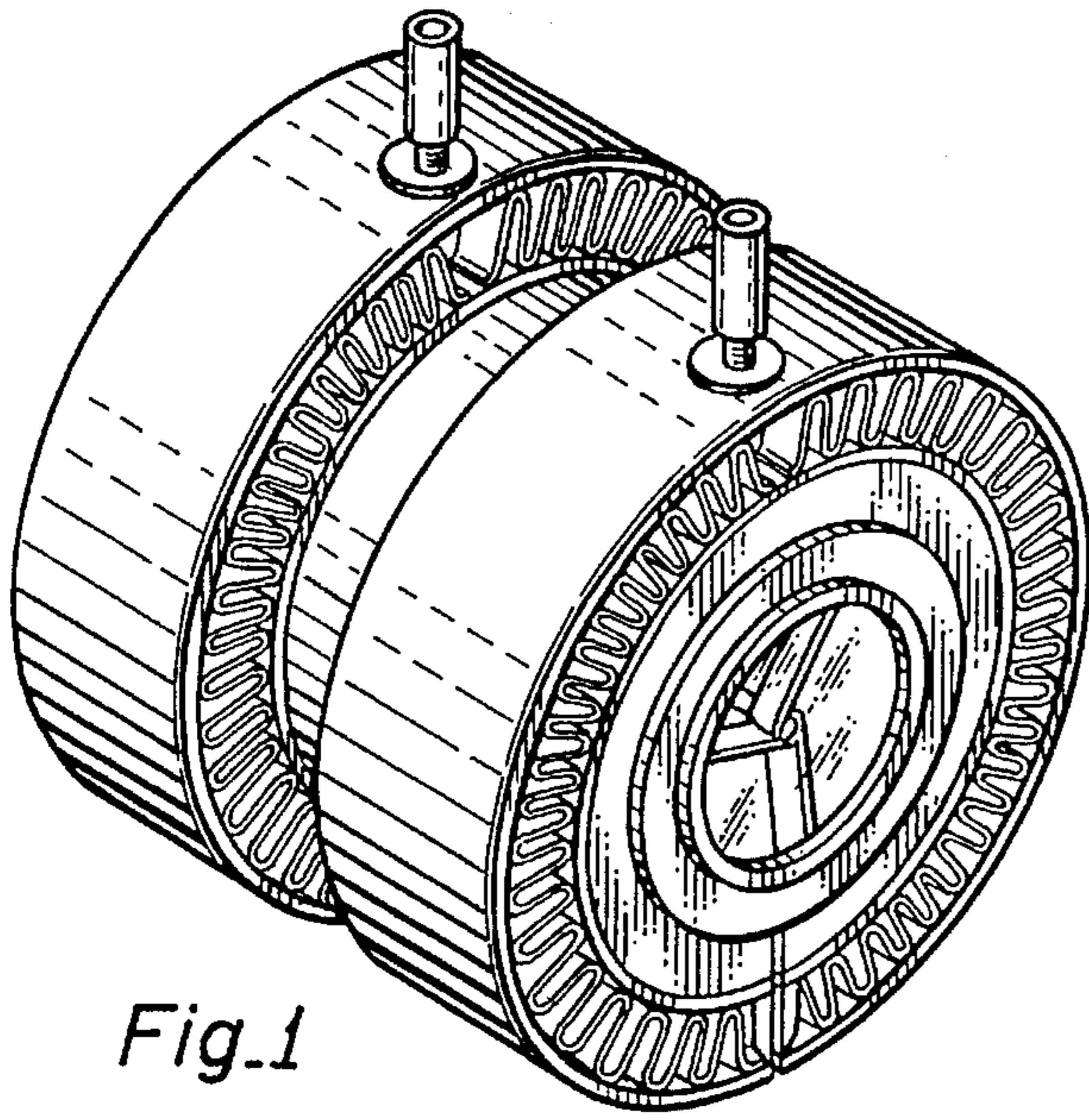


Fig.1

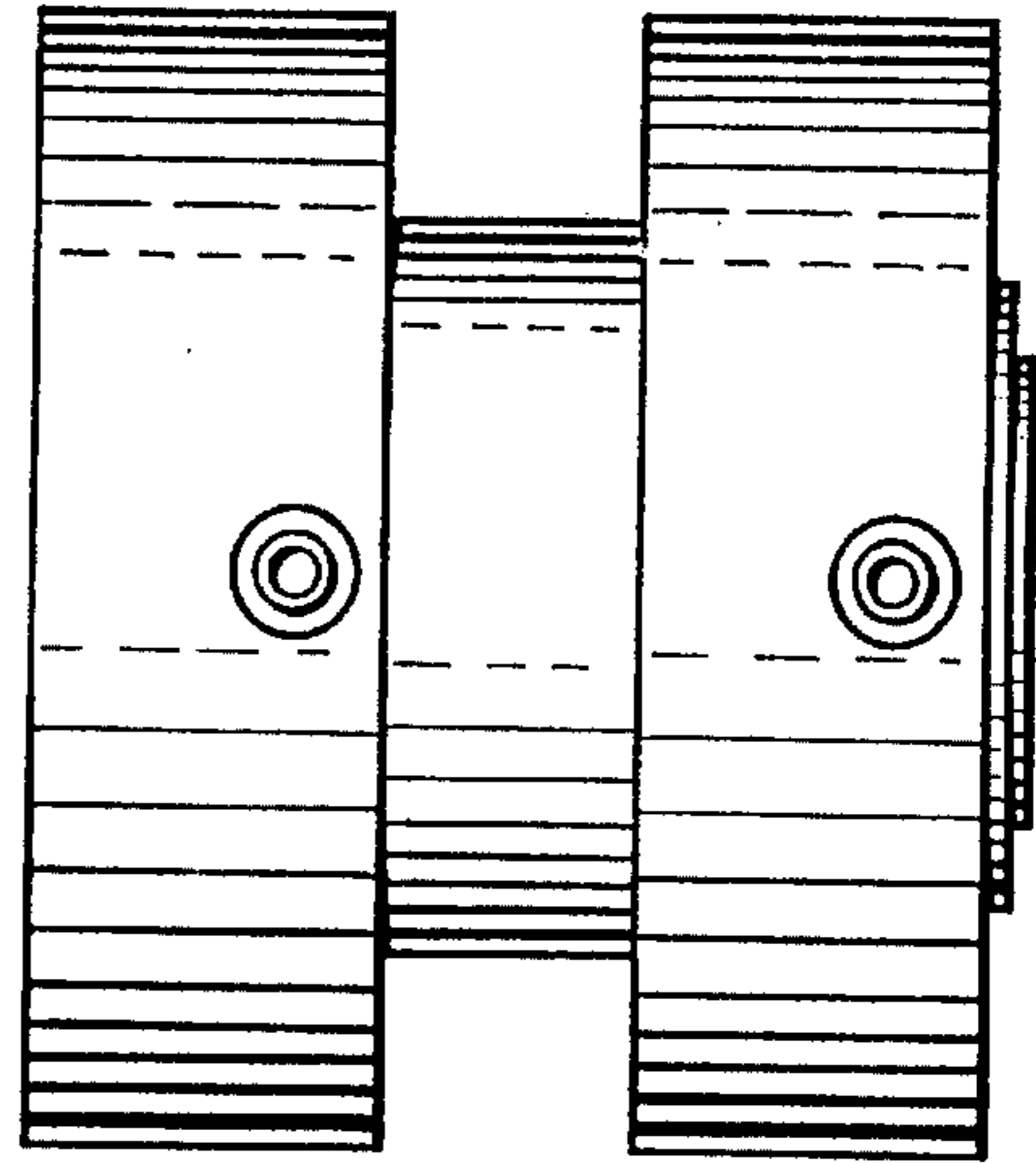


Fig.2

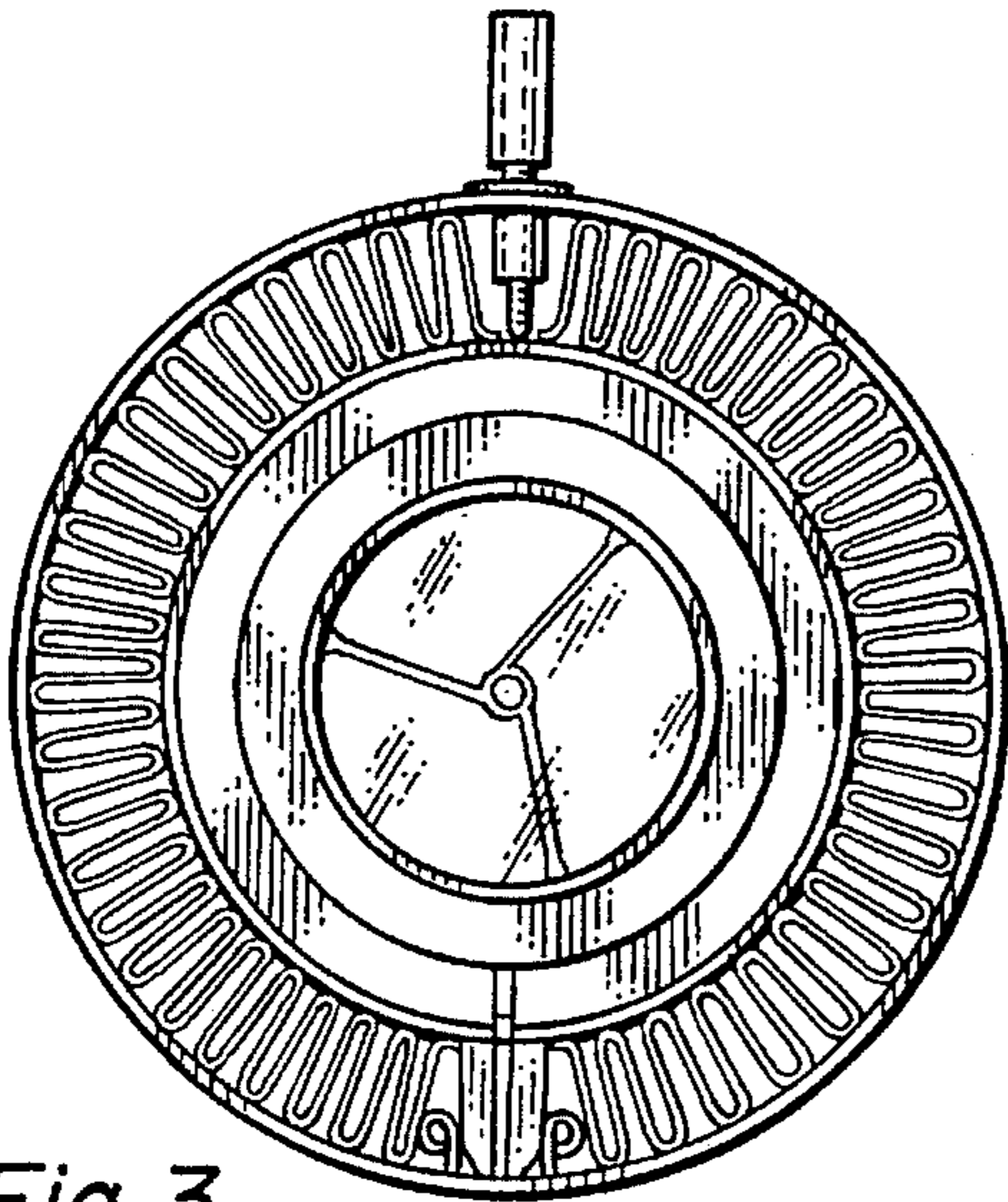


Fig.3

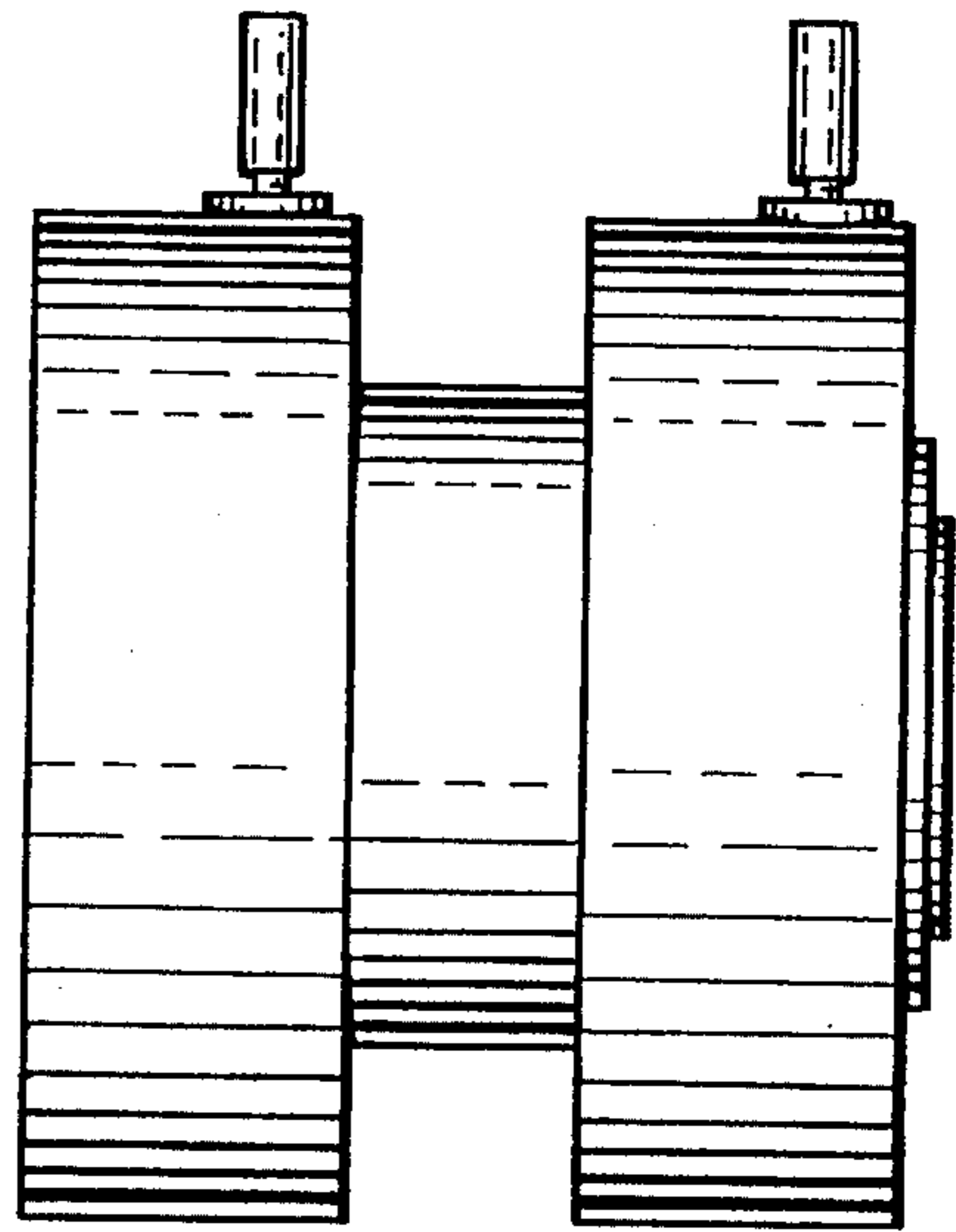


Fig.4

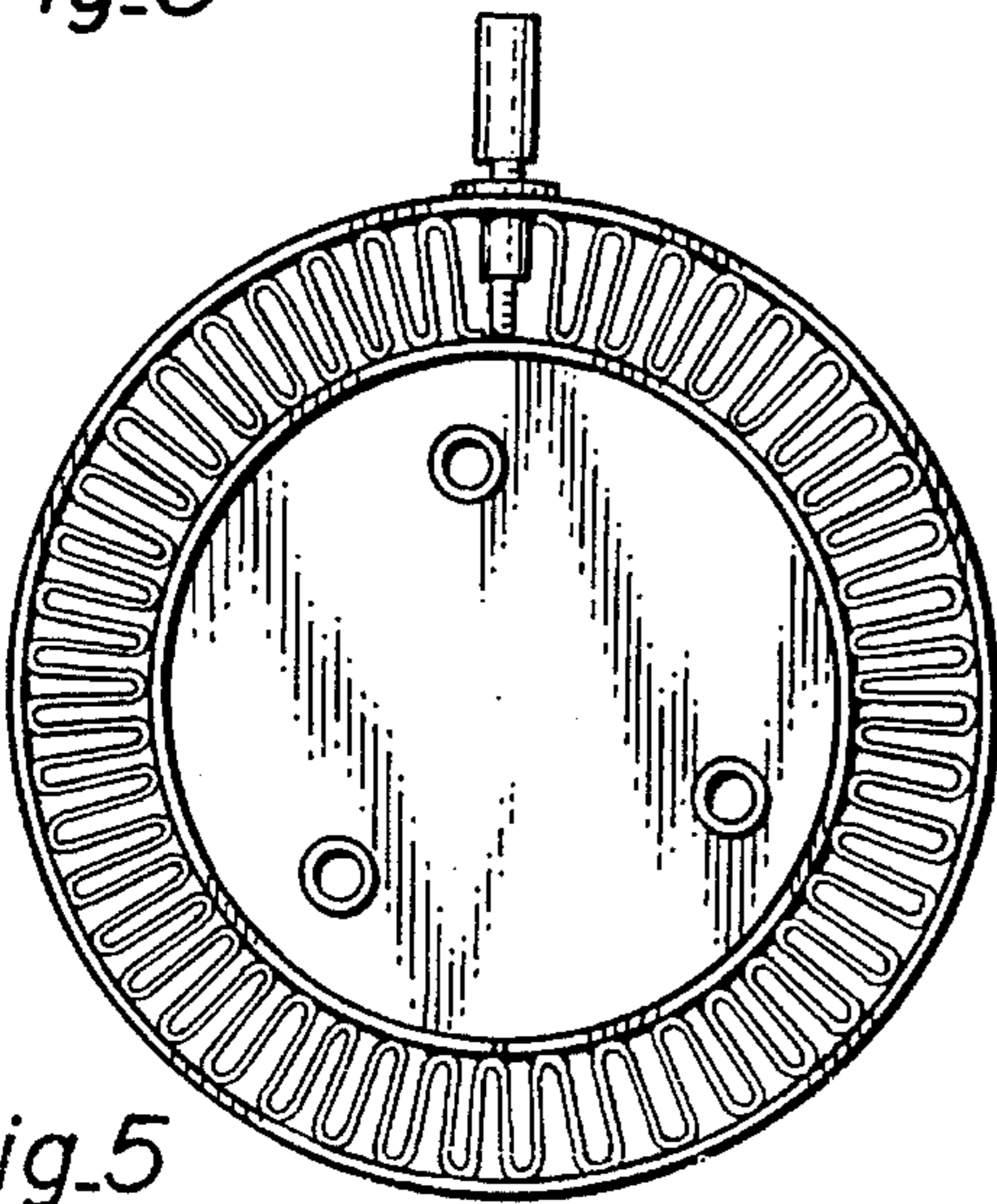


Fig.5

Fig.6

