



US00D377102S

**United States Patent** [19]  
**Oliver**

[11] **Patent Number: Des. 377,102**

[45] **Date of Patent: \*\*Dec. 31, 1996**

[54] **WINDOW COMPONENT EXTRUSION**

*Attorney, Agent, or Firm*—Richardson & Folise

[75] **Inventor: Teresa A. Oliver, Kent, Wash.**

[57] **CLAIM**

[73] **Assignee: Mikron Industries, Inc., Kent, Wash.**

The ornamental design for a window component extrusion, as shown and described.

[\*\*] **Term: 14 Years**

[21] **Appl. No.: 47,344**

**DESCRIPTION**

[22] **Filed: Dec. 1, 1995**

[52] **U.S. Cl. .... D25/124; D25/125**

FIG. 1 is a top right perspective view of the window component extrusion which is broken in the center indicating indefinite length;

[58] **Field of Search .... D25/52, 60, 119-125; 49/501, 504, DIG. 2; 52/204.5, 204.1, 210, 204.55, 204.56, 204.63, 204.6, 214, 204.61, 656.6, 730.3, 730.4, 730.5**

FIG. 2 is a bottom left perspective view of the window component extrusion shown in FIG. 1;

[56] **References Cited**

**U.S. PATENT DOCUMENTS**

- D. 329,708 9/1992. Valentine ..... D25/125
- D. 351,664 10/1994 Cole ..... D25/124

FIG. 3 is a top right perspective view of a second embodiment of the window component extrusion which is broken in the center indicating indefinite length; and,

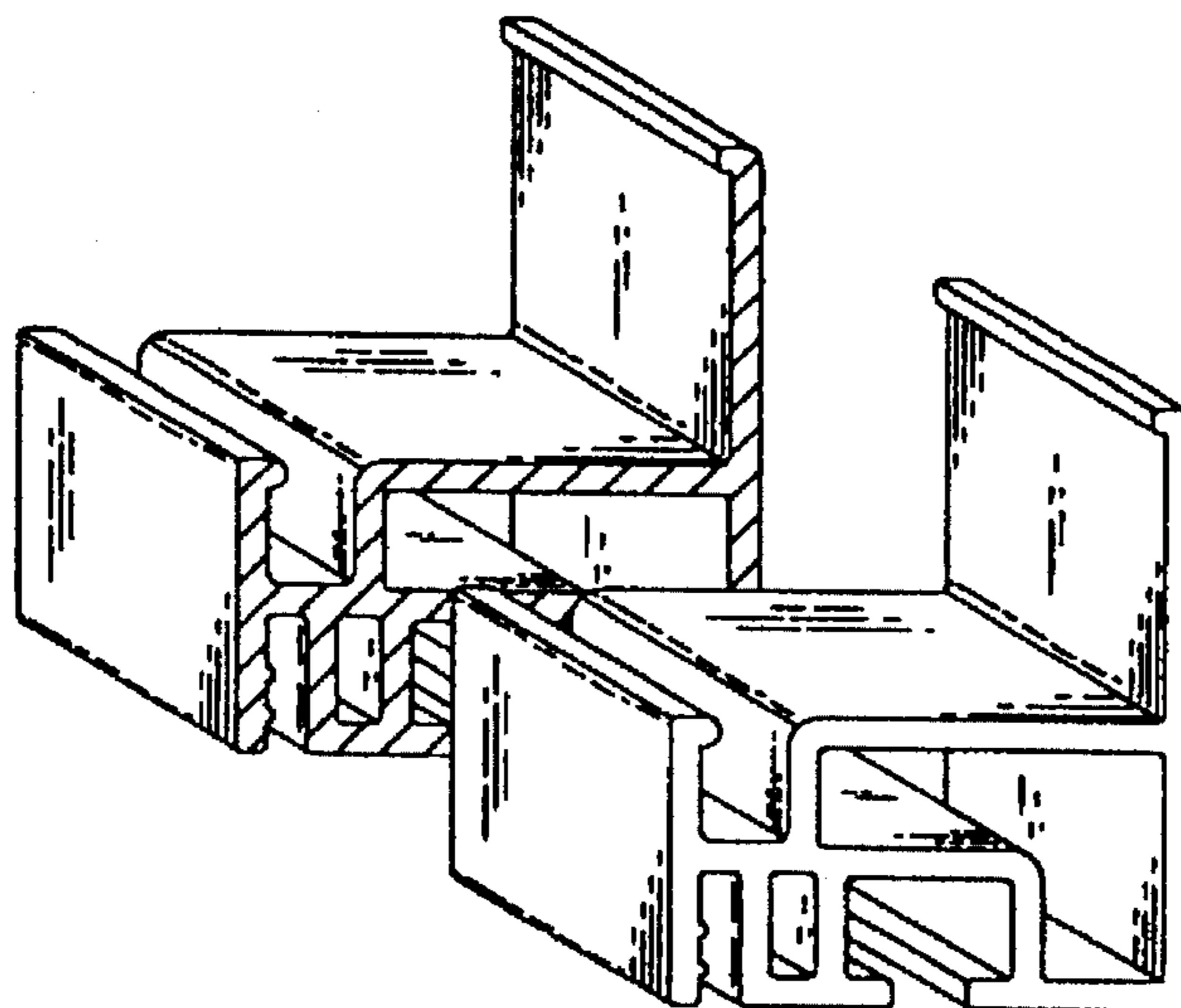
**OTHER PUBLICATIONS**

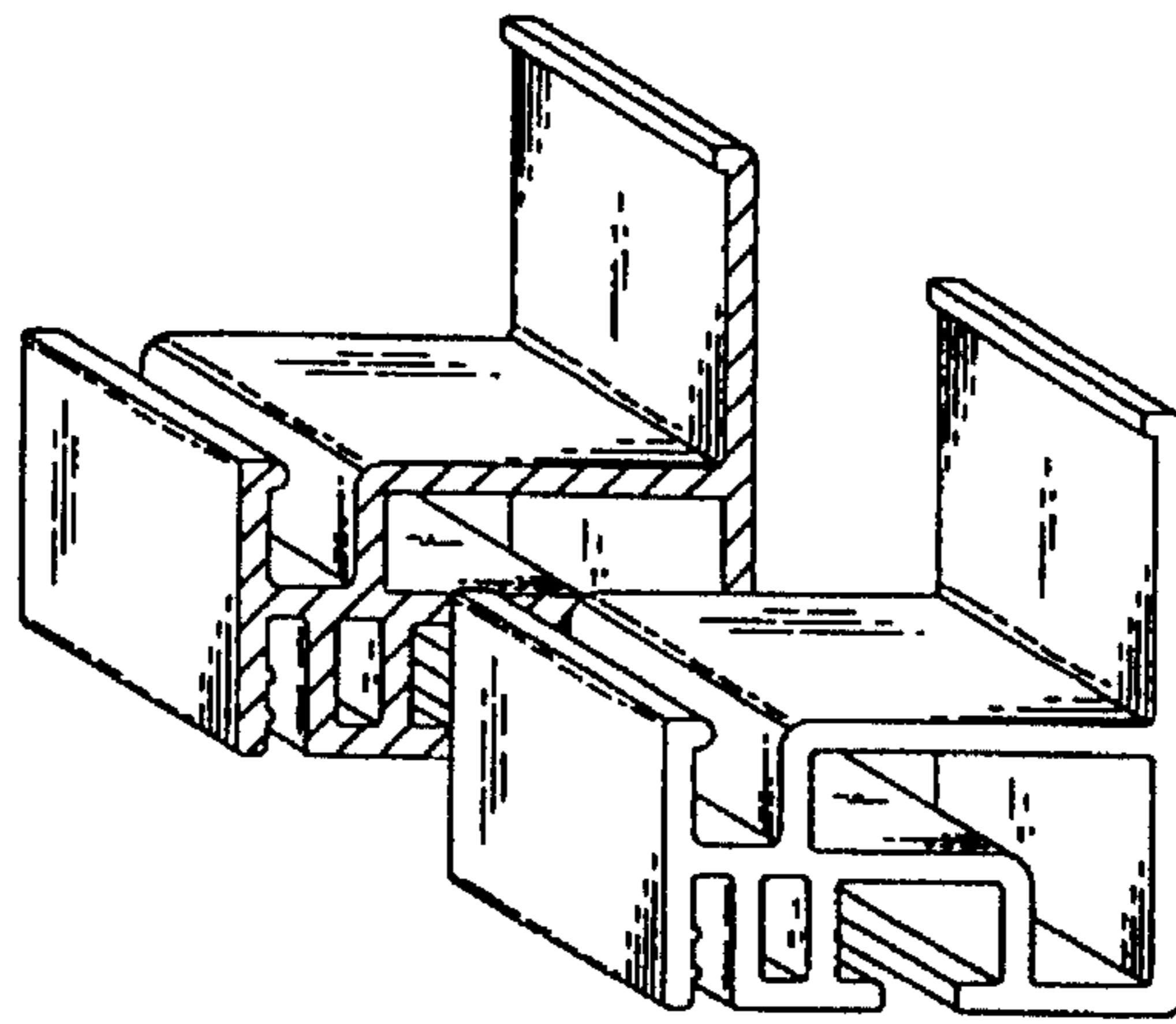
FIG. 4 is a bottom left perspective view of the window component extrusion shown in FIG. 3.

Mikron Industries Design No. 6663, Inventor: Jeffrey Fran-  
son Patent date Apr. 1995 Filing date Jan. 1994.

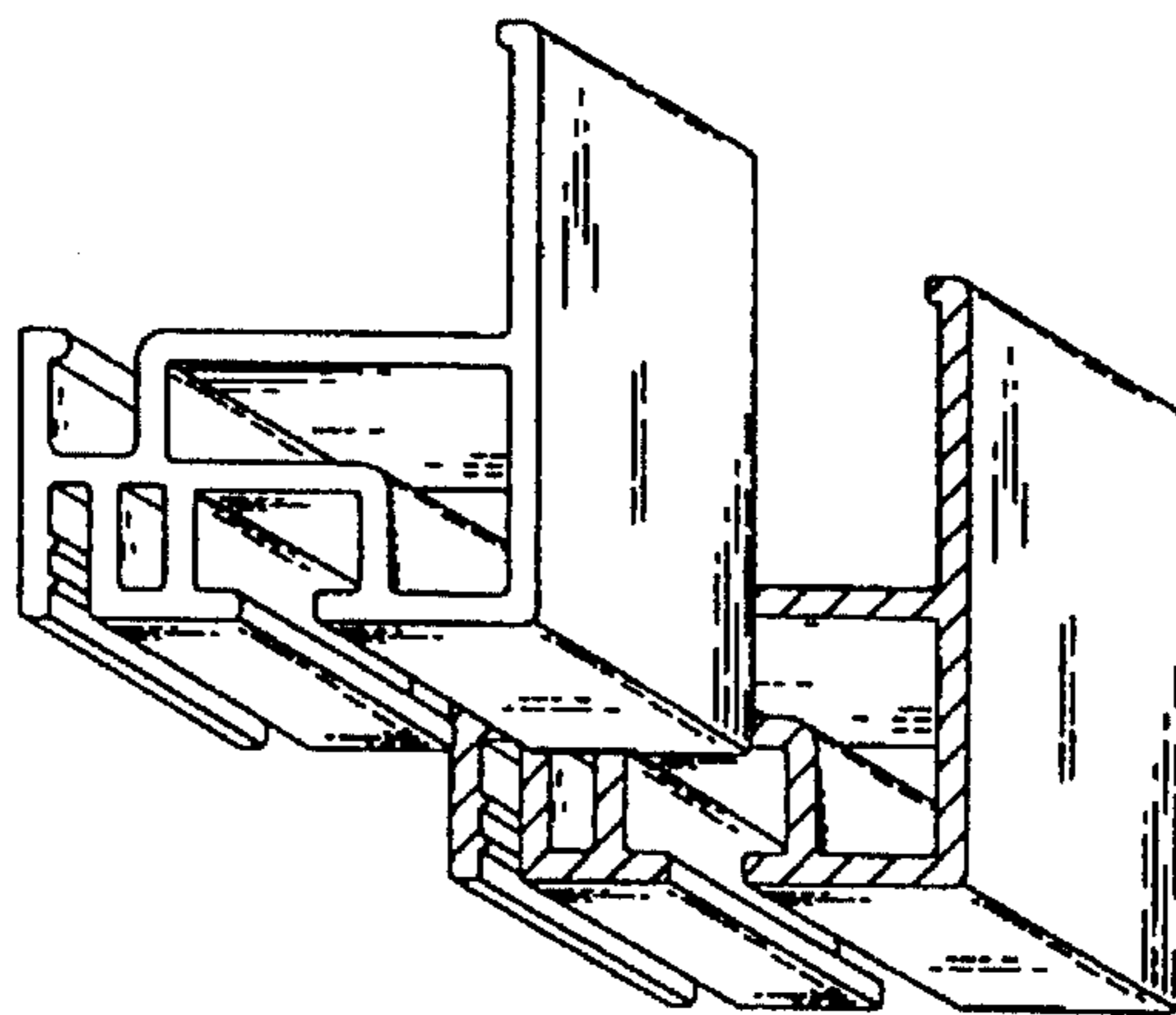
*Primary Examiner*—Doris Clark

**1 Claim, 2 Drawing Sheets**





*FIG. 1*



*FIG. 2*

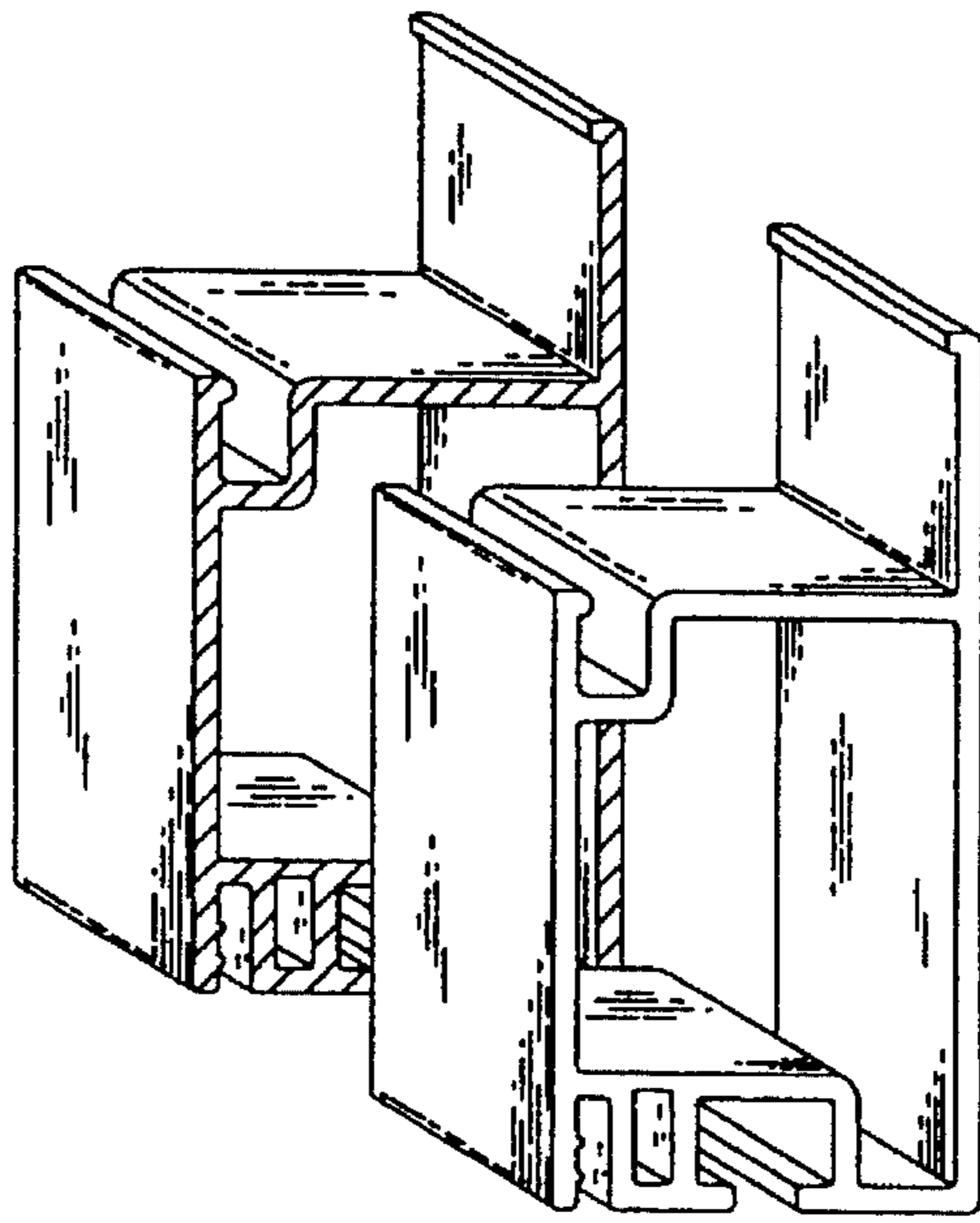


FIG. 3

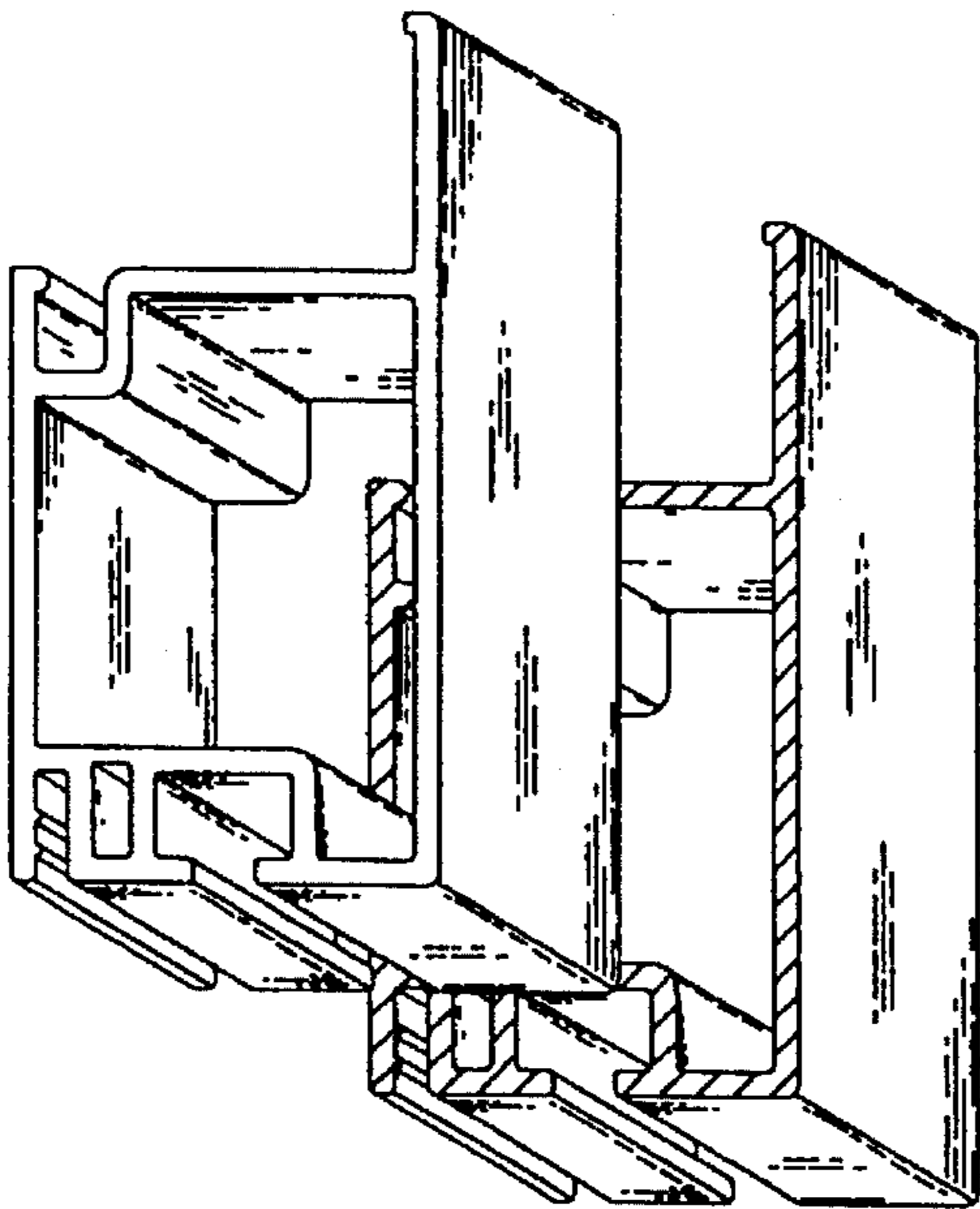


FIG. 4