



US00D377101S

United States Patent [19]
Goss, Jr.

[11] **Patent Number: Des. 377,101**

[45] **Date of Patent: ***Dec. 31, 1996**

[54] **WINDOW COMPONENT EXTRUSION**

[75] **Inventor: Lorane C. Goss, Jr., Slippery Rock, Pa.**

[73] **Assignee: Mikron Industries, Kent, Wash.**

[*] **Notice:** The portion of the term of this patent subsequent to Aug. 6, 2010, has been disclaimed.

[**] **Term: 14 Years**

[21] **Appl. No.: 39,613**

[22] **Filed: May 31, 1995**

[52] **U.S. Cl. D25/124**

[58] **Field of Search D25/124, 123, D25/122, 60, 52; 49/504, DIG. 2; 52/730.5, 731, 735, 202**

[56] **References Cited**

U.S. PATENT DOCUMENTS

D. 334,817	4/1993	Cole	D25/124
D. 345,221	3/1994	Bancroft	D25/60
4,753,056	6/1988	Pacca	52/730.5

Primary Examiner—Doris Clark

Attorney, Agent, or Firm—Seed and Berry LLP

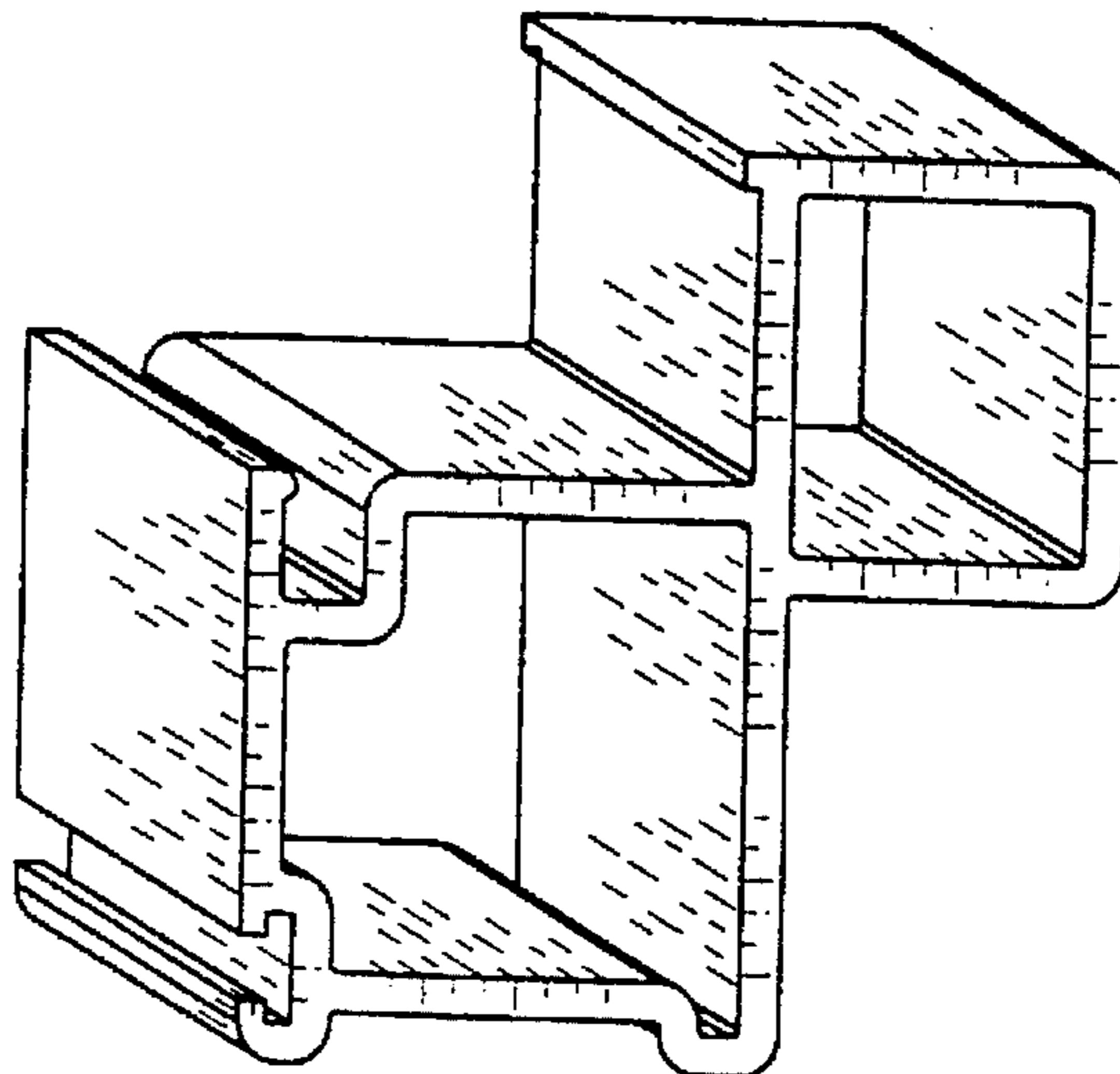
[57] **CLAIM**

The ornamental design for a window component extrusion, as shown and described.

DESCRIPTION

FIG. 1 is a top right perspective view of a window component extrusion showing my new design, the window component extrusion being of indefinite length; and, FIG. 2 is a bottom left perspective view thereof.

1 Claim, 1 Drawing Sheet



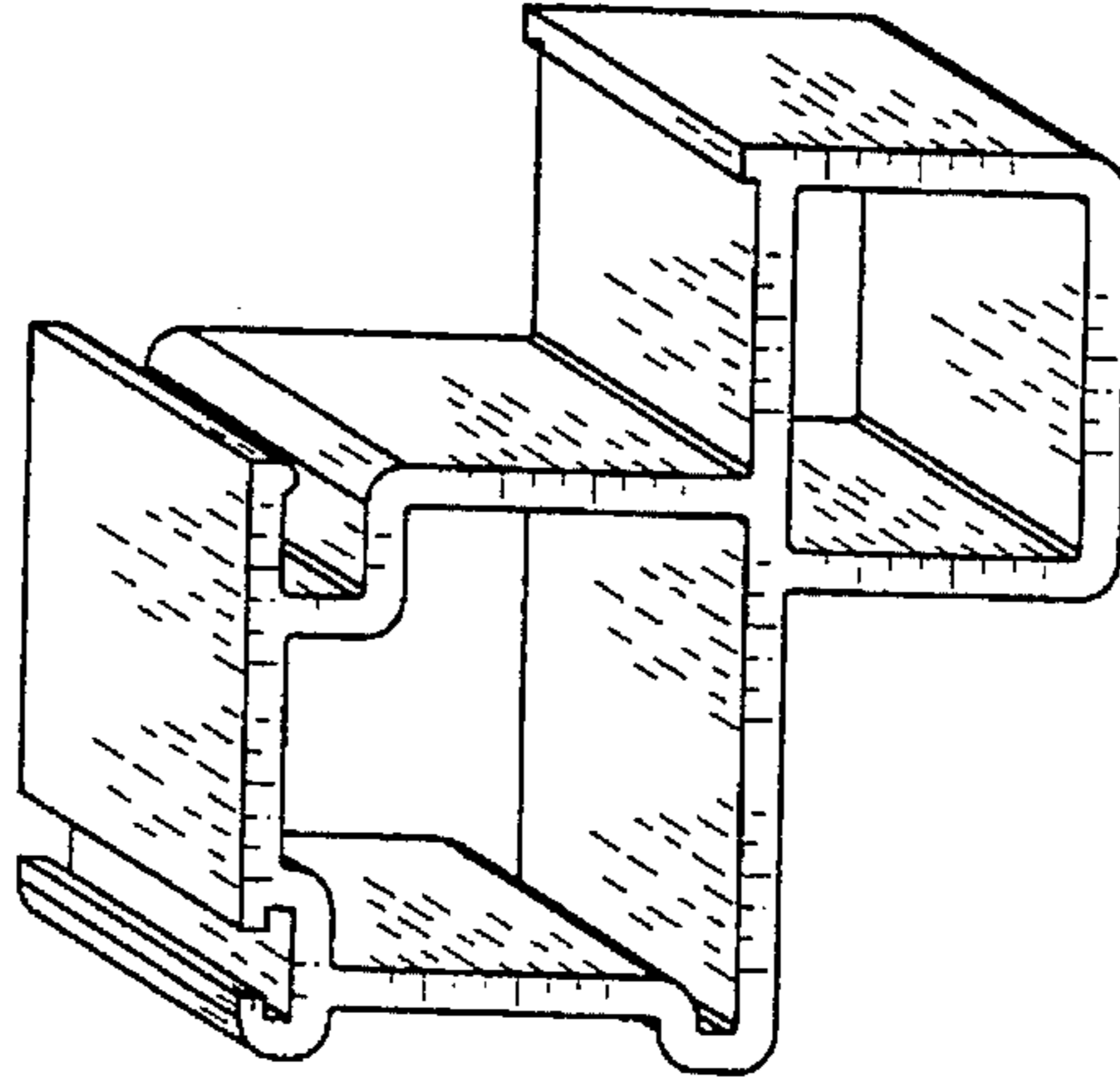


FIG. 1

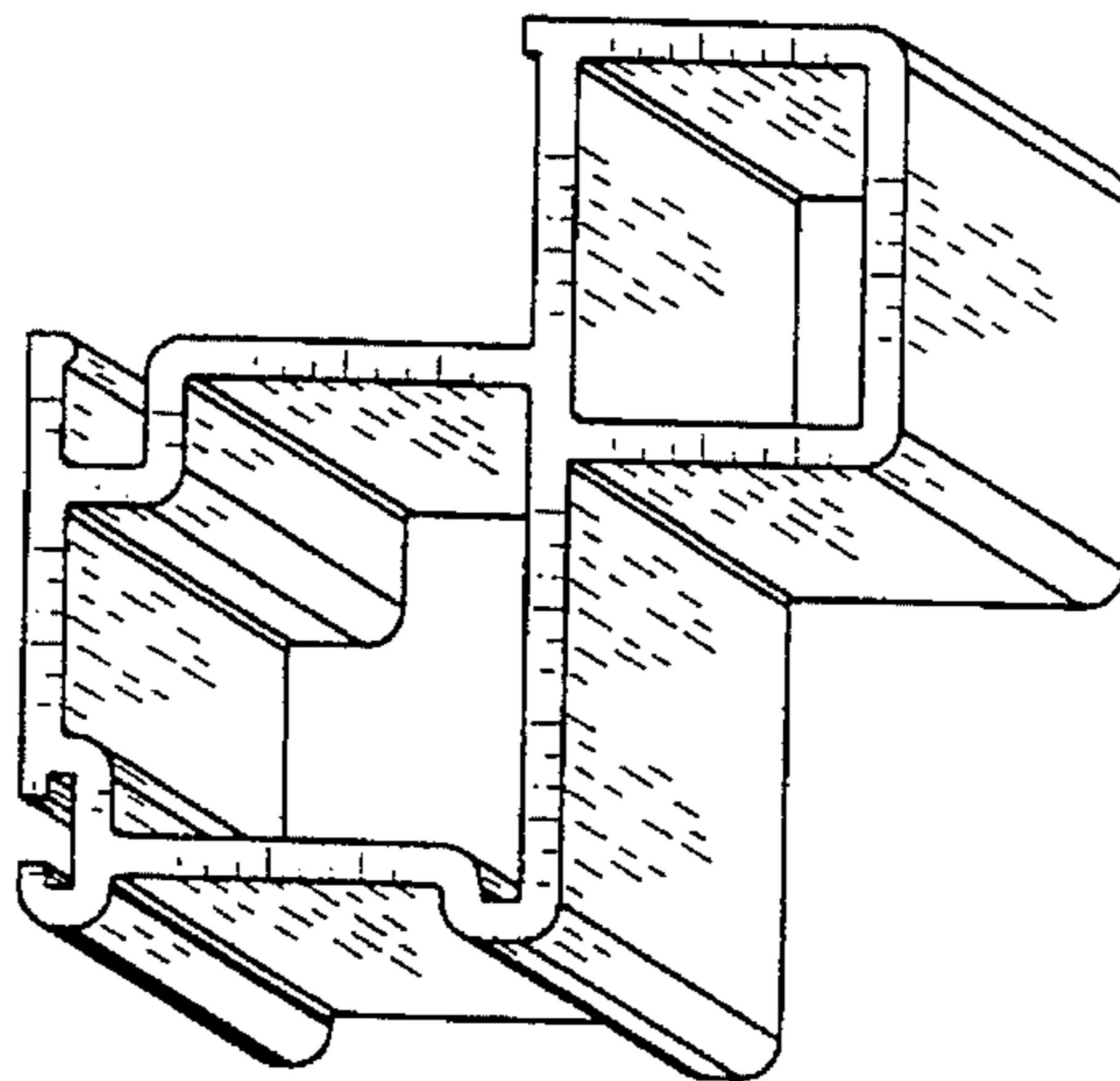


FIG. 2