



US00D377097S

# United States Patent [19]

Olson et al.

[11] Patent Number: **Des. 377,097**

[45] Date of Patent: **\*\*Dec. 31, 1996**

[54] **DEFIBRILLATOR IN SOFT-SIDED CARRYING BAG**

[75] Inventors: **Kenneth F. Olson**, Minneapolis; **Byron L. Gilman**, Plymouth; **Thomas M. Reiter**, Woodbury, all of Minn.; **James W. Luther**, Boston, Mass.

[73] Assignee: **SurvivaLink Corporation**, Minneapolis, Minn.

[\*\*] Term: **14 Years**

[21] Appl. No.: **39,811**

[22] Filed: **Jun. 1, 1995**

[52] U.S. Cl. .... **D24/168**

[58] Field of Search ..... **D24/167, 168; 607/5, 4**

[56] **References Cited**

**U.S. PATENT DOCUMENTS**

D. 322,853 12/1991 Benson et al. .... D24/168  
4,096,856 6/1978 Smith et al. .... 607/5

**OTHER PUBLICATIONS**

- "The Tough Team," SpaceLabs, Inc., Feb. 1992, 9 pages.
- "Responder 1200 Defibrillator," Marquette Electronics, 1991, 6 pages.
- "Laerdal Heartstart 1000s," Laerdal, 9 pages, undated.
- "Lifepak 300 automatic advisory defibrillator without printer," Physio Control, 1 page, undated.
- "Responder 1500 Defibrillator," Marquette Electronics, undated, 2 pages.
- "Lifepak 10," Physio-Control, undated, 2 pages.
- "Laerdal's Heartstart 3000 ATS," Laerdal Medical Corporation, 1 page, 1991.
- "First Medic 510 Defibrillator," SpaceLabs Medical, 1 page, undated.
- "First Medic 610 Defibrillator," SpaceLabs Medical, 1 page, undated.
- "The Nihon Kohden TEC-7300A Defibrillator," Technical Data, 1 page, undated.
- "TEC-7000A Series Portable Defibrillators," 2 pages, undated.

- "HP 43110A Defibrillator with EMS Option E01," Hewlett Packard, 2 pages, undated.
- "HP 43100A Defibrillator with EMS Option E01," Hewlett Packard, 2 pages, undated.
- "CodeMaster XL, CodeMaster XE, CodeMaster XL+, HP CodeMaster xL+ Defibrillator", 3 pages, undated.
- "Porta-Fib LPD I and LPD IIS," Telecare, 1 page, undated.
- "HP 43130A", 1 page, undated.
- "Cardiac emergencies, PPG Hellige Defiport SCP 912," 1 page, undated.
- "Zoll Cardiac Resuscitation," Zoll Medical Corporation, 1 page, undated.
- "Zoll PD 1400 Pacemaker/Defibrillator," Zoll Medical Corporation, 1 page, undated.
- "First Medic 610 Semi-Automatic Defibrillator," 1 page, undated.
- "Lifepak 11 diagnostic cardiac monitor," Physio Control, 1 page, undated.
- "Lifepak 10 defibrillator/monitor/pacemaker," Physio Control, 1 page, undated.
- "Lifepak 250 automatic advisory defibrillator," Physio Control, 1 page, undated.
- "Proof that good things come in small packages," 1 page, undated.

*Primary Examiner*—Stella Reid  
*Attorney, Agent, or Firm*—Patterson & Keough, P.A.

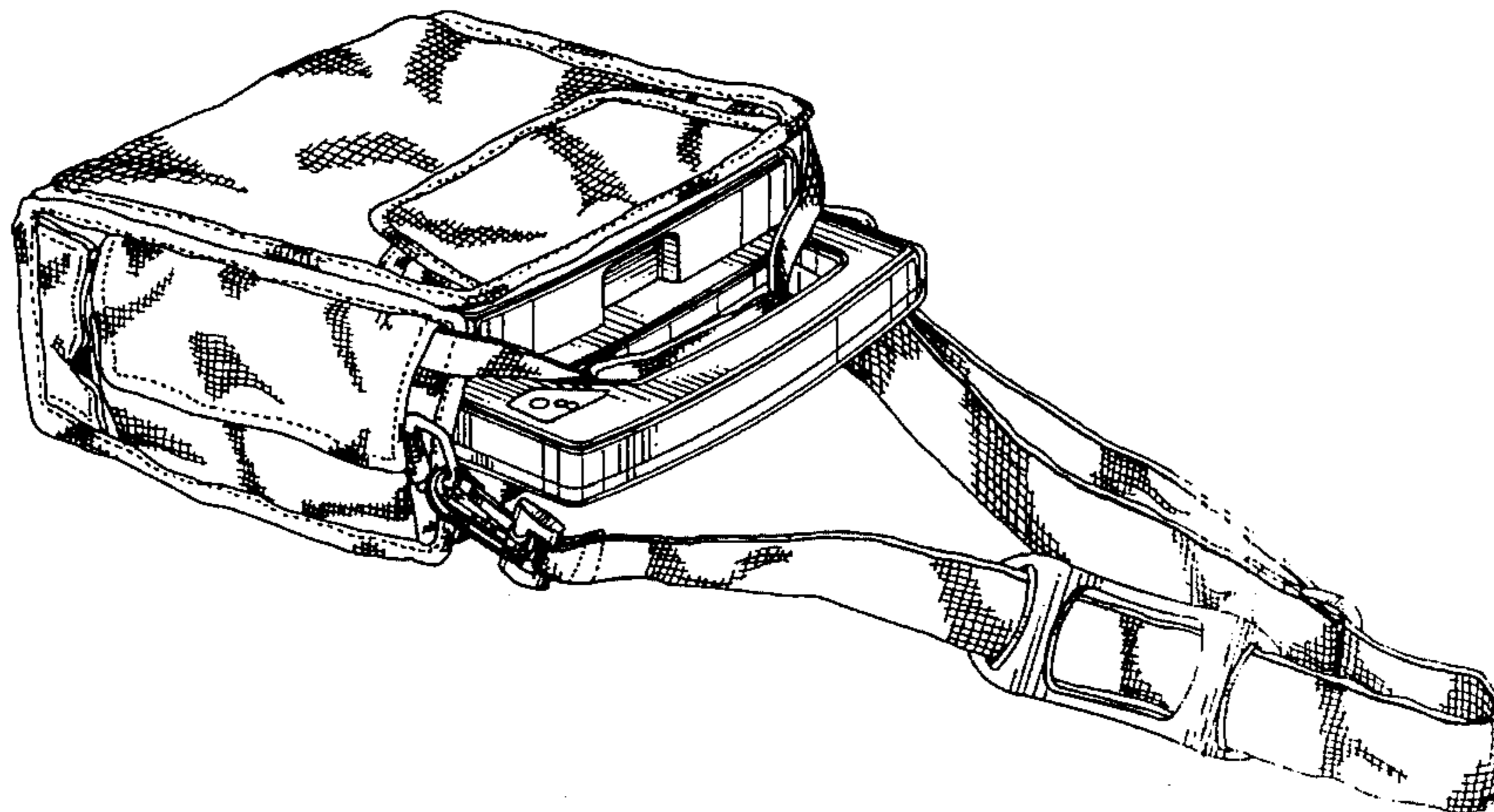
[57] **CLAIM**

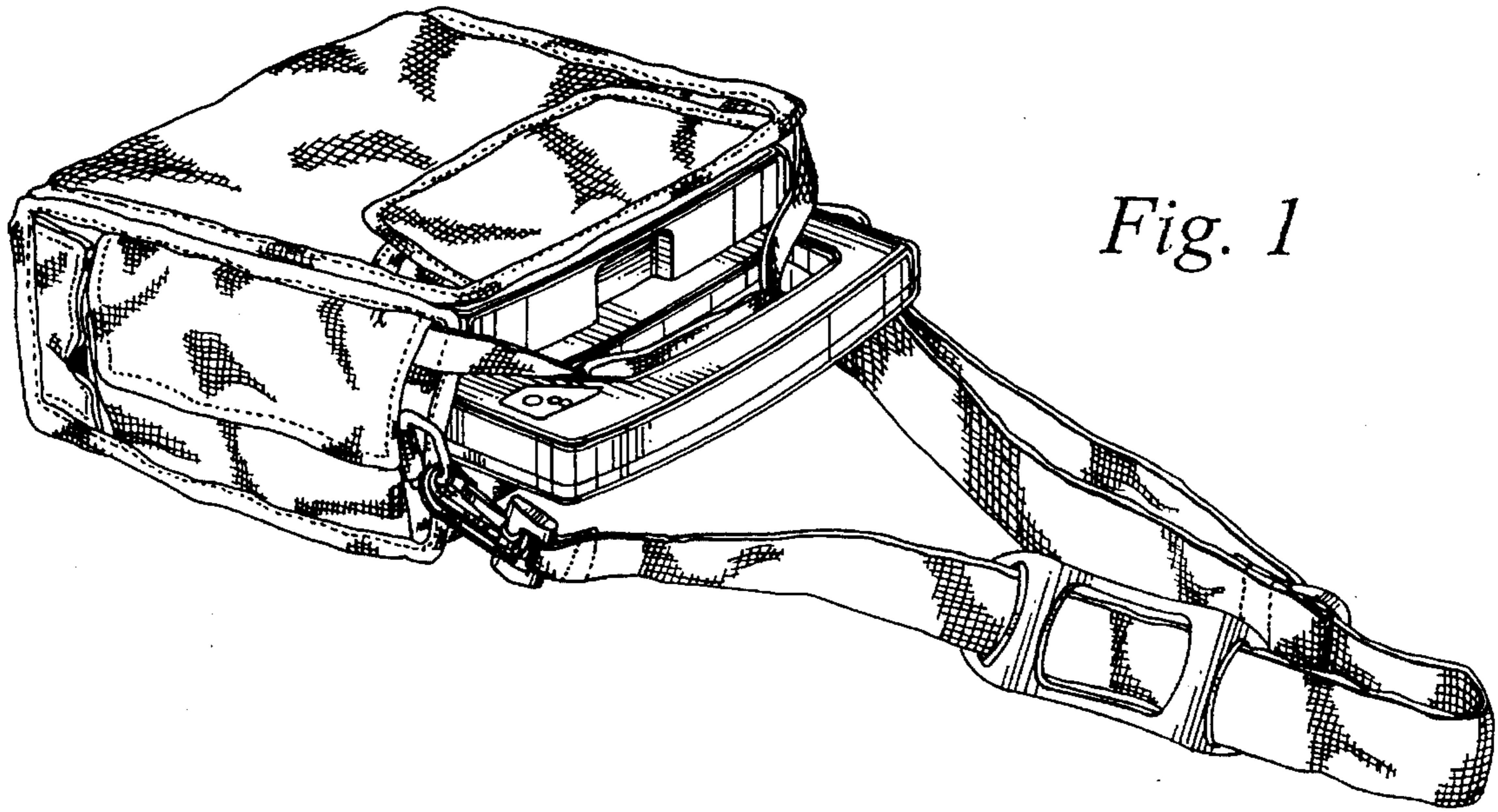
The ornamental design for the defibrillator in soft-sided carrying bag, as shown.

**DESCRIPTION**

FIG. 1 is a perspective view of the defibrillator in soft-sided carrying bag of the present invention;  
FIG. 2 is a front elevational view thereof;  
FIG. 3 is a rear elevational view thereof;  
FIG. 4 is a top plan view thereof;  
FIG. 5 is a bottom plan view thereof;  
FIG. 6 is a right side elevational view thereof; and,  
FIG. 7 is a left side elevational view thereof.

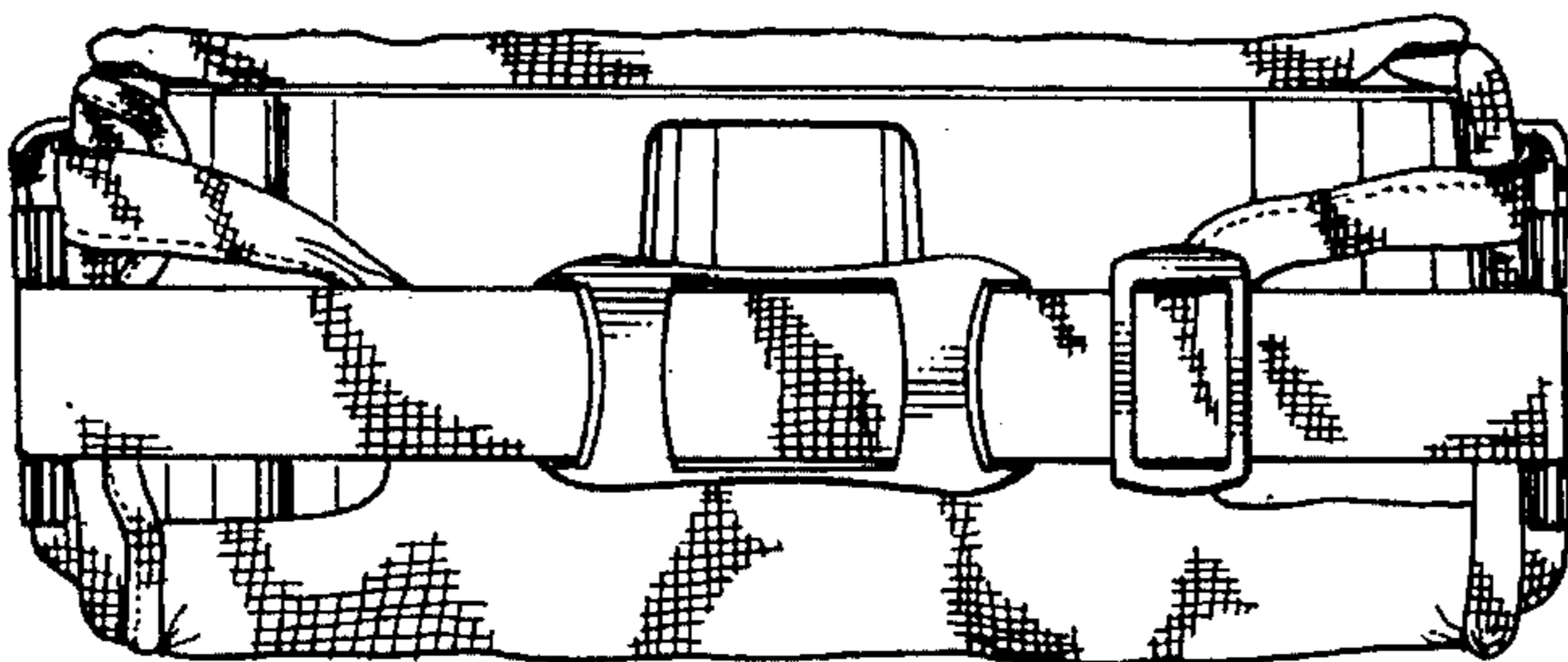
**1 Claim, 4 Drawing Sheets**



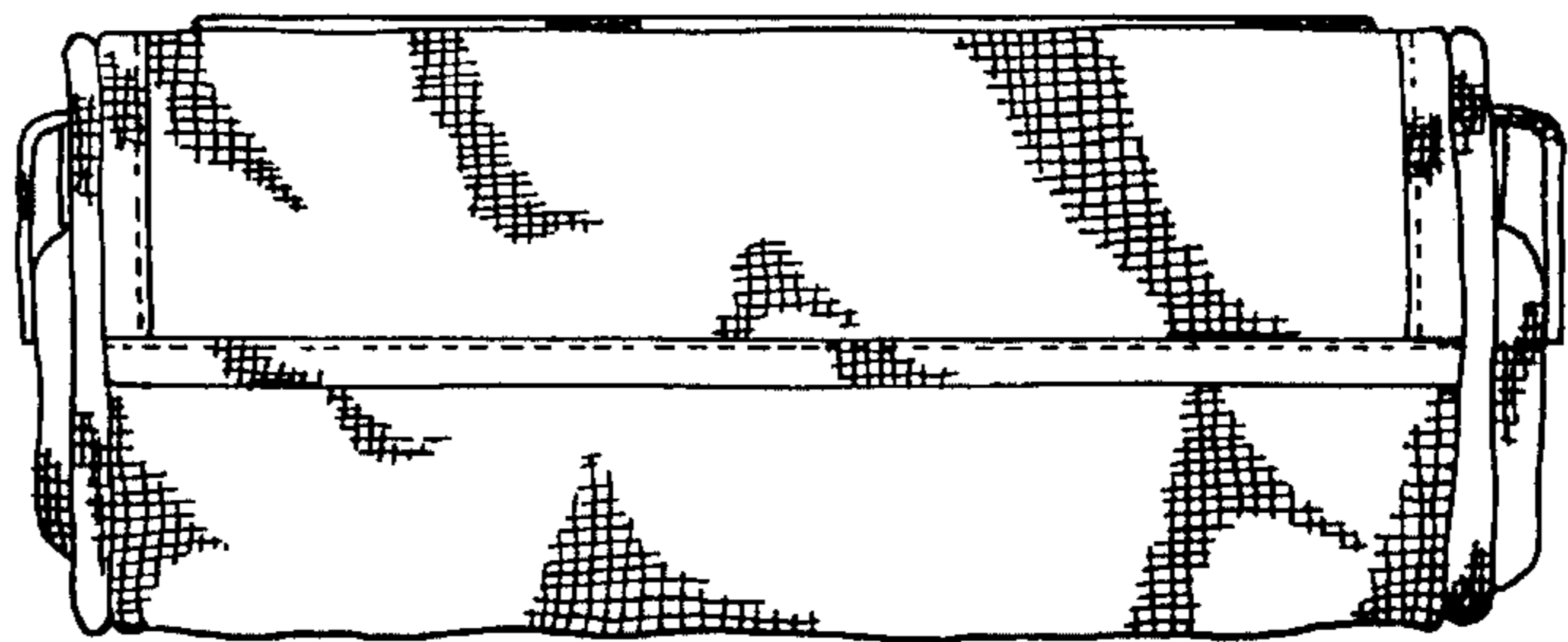


*Fig. 1*

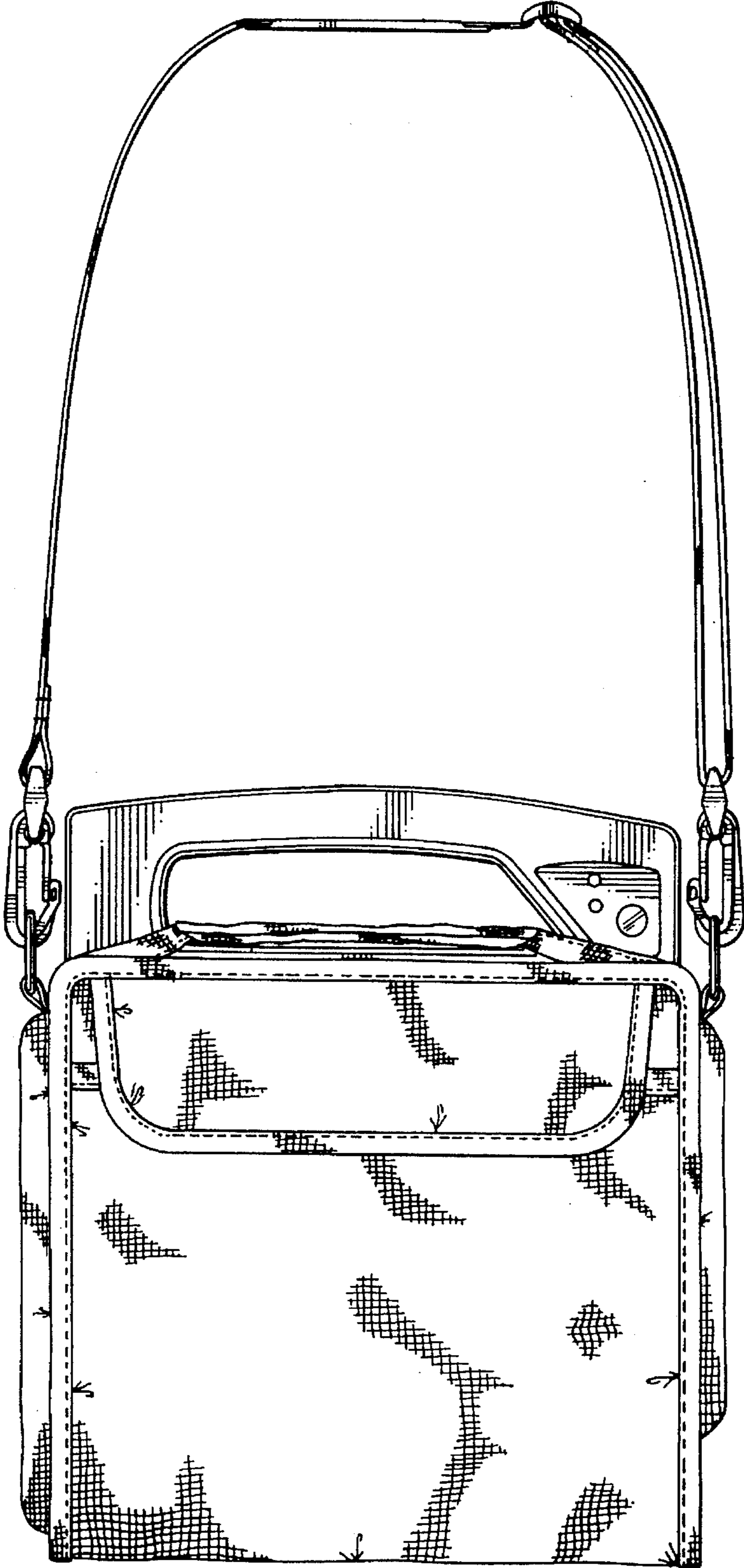
*Fig. 2*



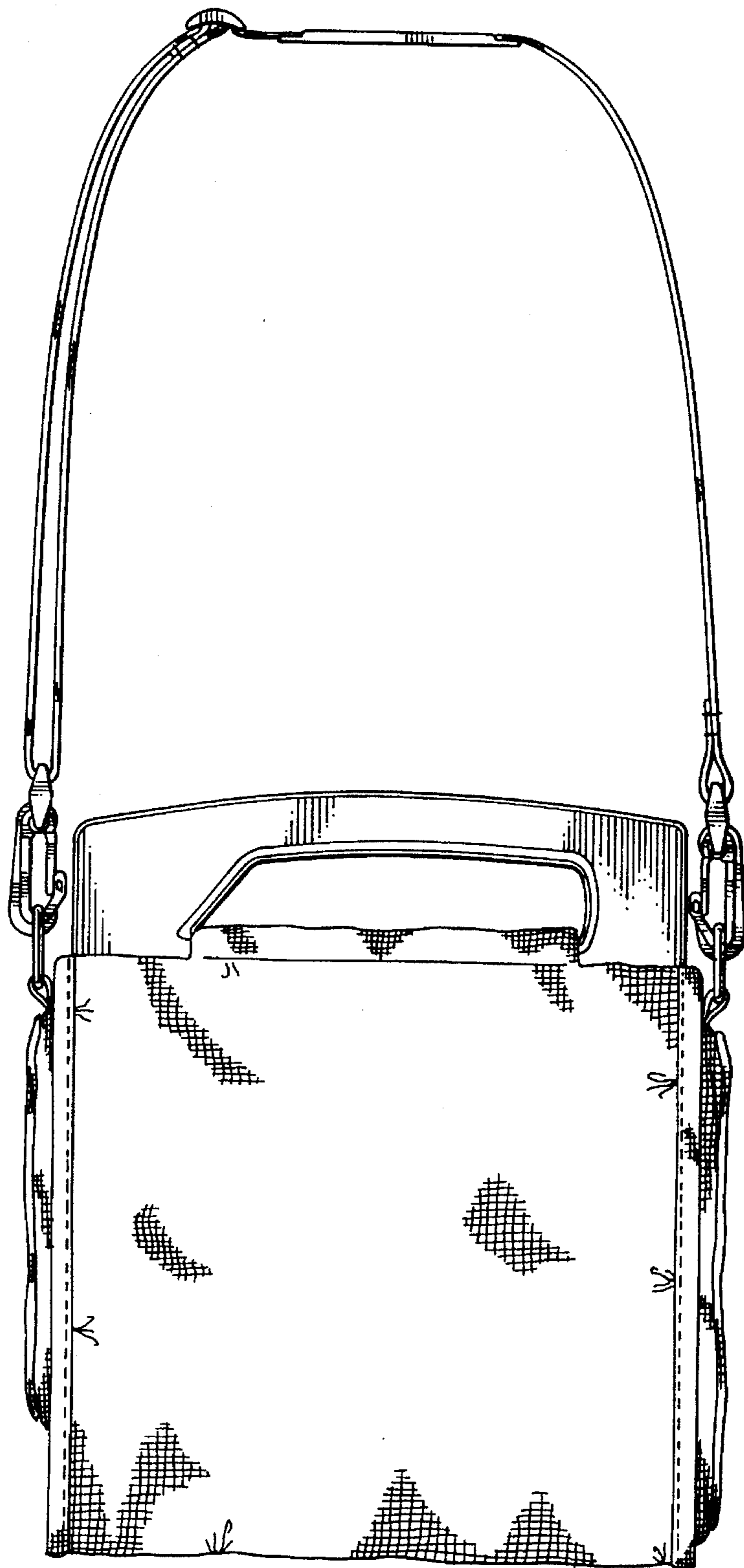
*Fig. 3*



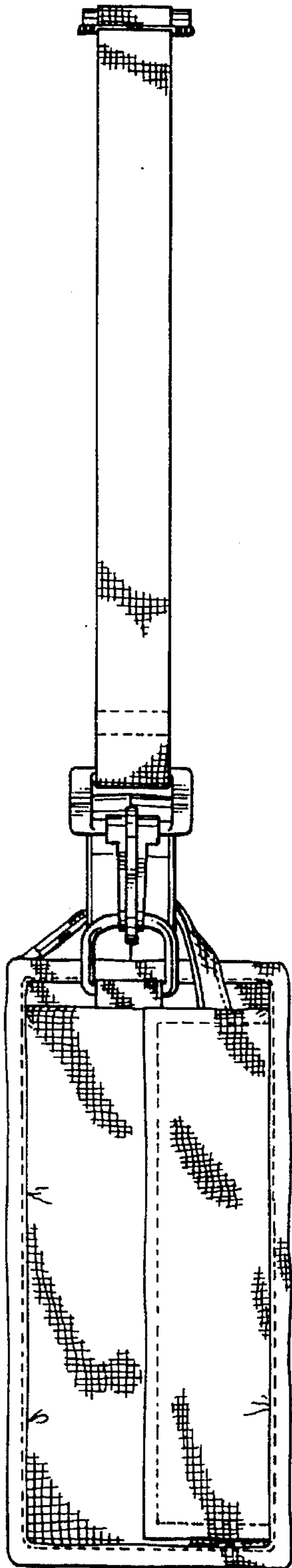
*Fig. 4*



*Fig. 5*



*Fig. 6*



*Fig. 7*

