



US00D377086S

United States Patent [19]
Tortarolo

[11] **Patent Number: Des. 377,086**

[45] **Date of Patent: **Dec. 31, 1996**

[54] **TABLET**

[75] **Inventor: George E. Tortarolo, Bridgewater, N.J.**

[73] **Assignee: Warner-Lambert Company, Morris Plains, N.J.**

[**] **Term: 14 Years**

[21] **Appl. No.: 41,968**

[22] **Filed: Jul. 28, 1995**

[52] **U.S. Cl. D24/101**

[58] **Field of Search D24/100-104;**
D28/8.1, 8.2; 424/464, 465, 451, 472, 474;
D1/100, 106, 112, 121, 127, 128, 129,
199

[56] **References Cited**

U.S. PATENT DOCUMENTS

D. 301,637 6/1989 Tovey D24/101

D. 304,626 11/1989 Contractor et al. D24/102
D. 359,554 6/1995 Dansereau et al. D24/101
4,547,358 10/1985 David et al. 424/467

Primary Examiner—Kay H. Chin
Attorney, Agent, or Firm—Michael J. Atkins

[57] **CLAIM**

The ornamental design for a tablet, as shown and described.

DESCRIPTION

FIG. 1 is a perspective view of the preferred embodiment, and;
FIG. 2 is a side elevational view of FIG. 1, and;
FIG. 3 is a top plan view of FIG. 1, and;
FIG. 4 is a bottom plan view of FIG. 1; and,
FIG. 5 is a cross sectional view taken along lines 5—5 of FIG. 3.

1 Claim, 3 Drawing Sheets

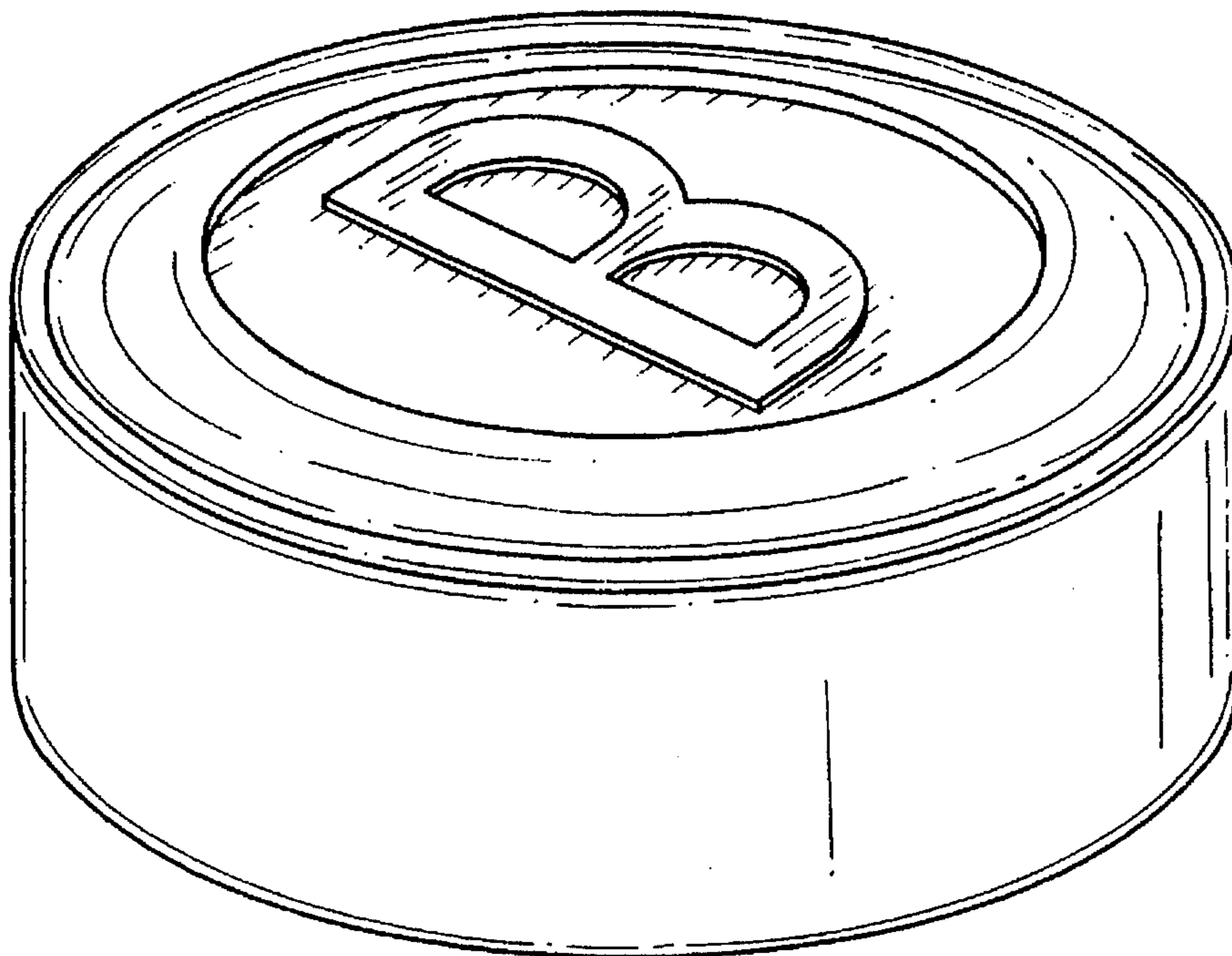


FIG-1

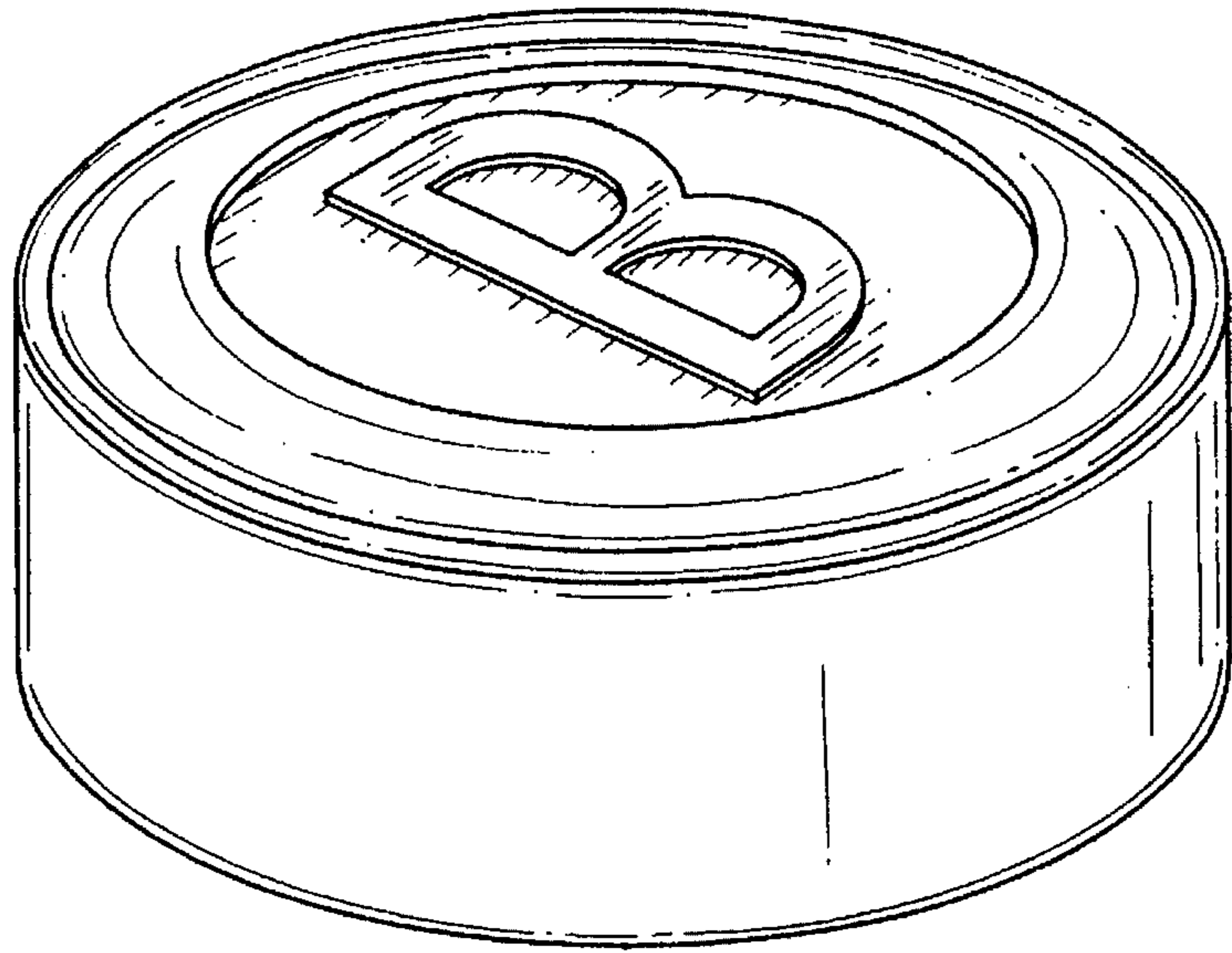


FIG-2

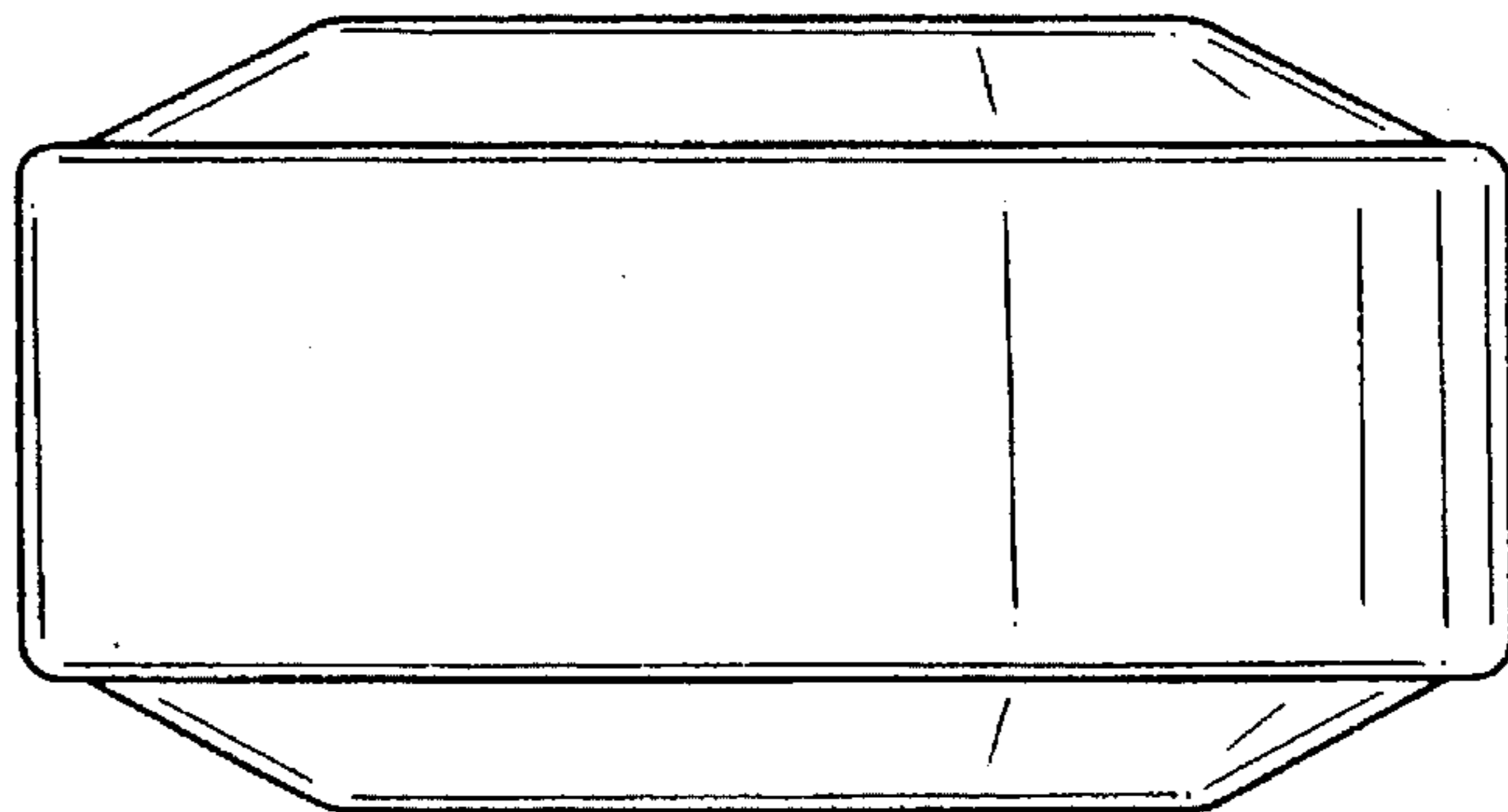


FIG-3

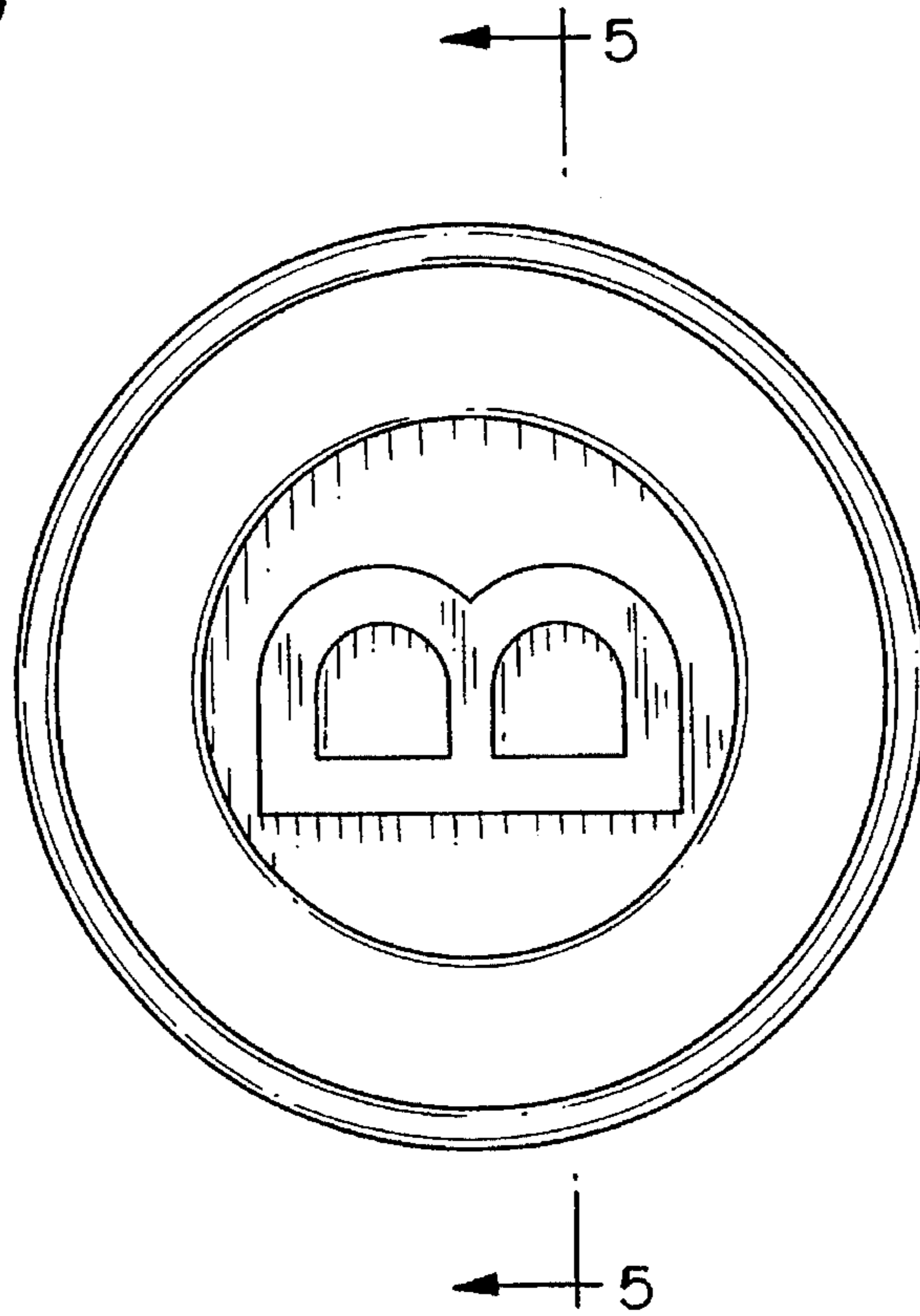


FIG-4

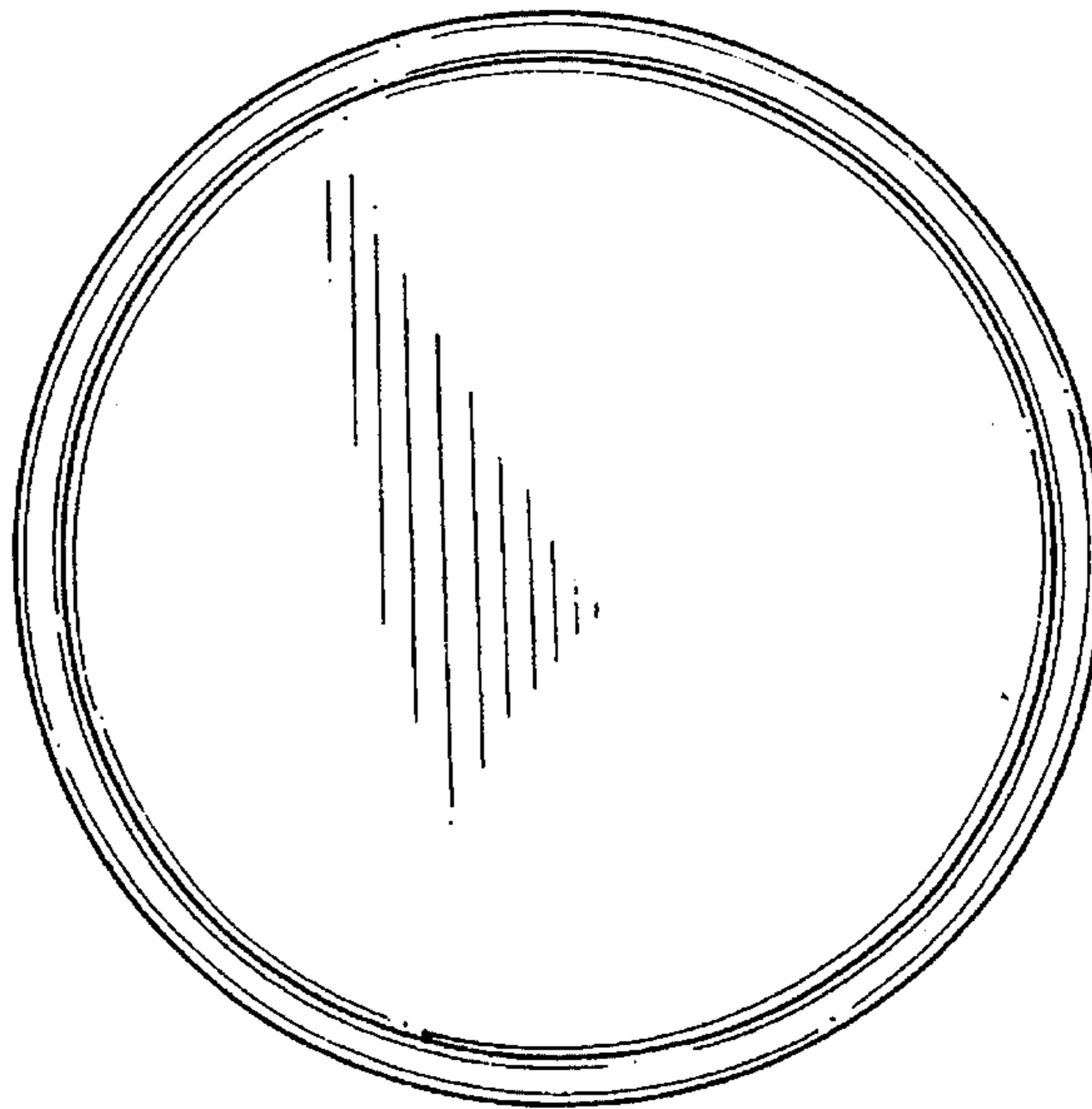


FIG-5

