



US00D377082S

United States Patent [19]

Lacy

[11] Patent Number: **Des. 377,082**

[45] Date of Patent: ****Dec. 31, 1996**

[54] **WHIRLPOOL TUB**

D. 362,714 9/1995 Colussi et al. D23/277
D. 364,674 11/1995 Thomas et al. D23/280.4

[75] Inventor: **Christopher A. Lacy**, New Brighton, Minn.

Primary Examiner—Louis S. Zarfaz
Assistant Examiner—E. Watterson
Attorney, Agent, or Firm—Haugen and Nikolai, P.A.

[73] Assignee: **Pearl Baths, Inc.**, Minneapolis, Minn.

[**] Term: **14 Years**

[57] **CLAIM**

[21] Appl. No.: **43,506**

The ornamental design for the whirlpool tub, as shown and described.

[22] Filed: **Sep. 5, 1995**

DESCRIPTION

[52] U.S. Cl. **D23/277**

[58] Field of Search D23/277-280.4;
D24/201-205; 4/546, 548, 551, 552, 554,
559, 570, 574.1, 541.3-541.5, 575.1, 577.1,
578.1, 576.1, 584, 589, 590

FIG. 1 is a top plan view of a whirlpool tub, showing my new design;

FIG. 2 is a front elevational view thereof;

FIG. 3 is a rear elevational view thereof;

FIG. 4 is a right end view thereof;

FIG. 5 is a left end view thereof; and,

FIG. 6 is a perspective view thereof.

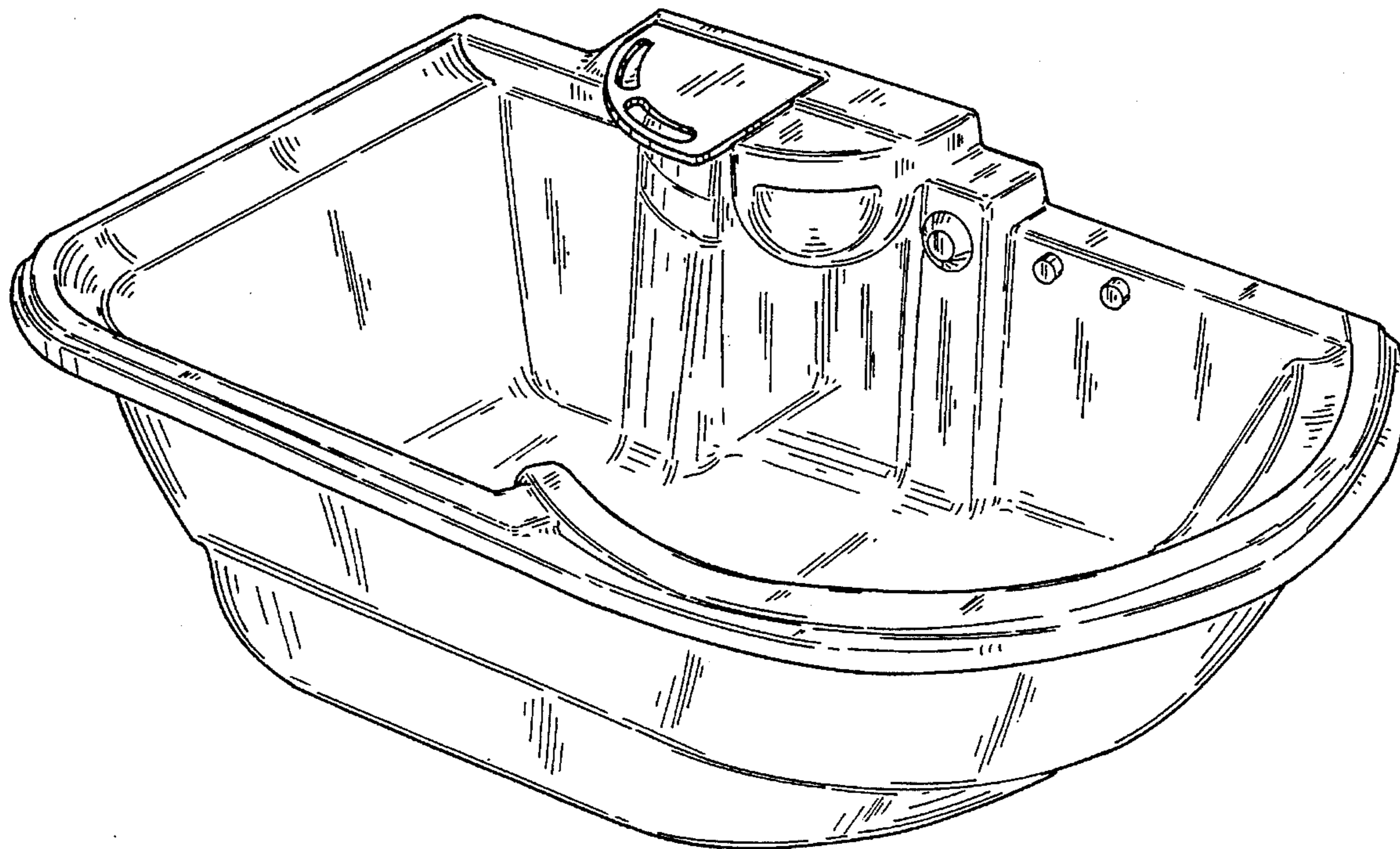
The bottom view being plain and unornamented.

[56] **References Cited**

U.S. PATENT DOCUMENTS

- D. 244,314 5/1977 Stangle D23/280.1 X
- D. 269,814 7/1983 Fishel et al. D24/204
- D. 355,963 2/1995 Formgren et al. D23/277

1 Claim, 6 Drawing Sheets



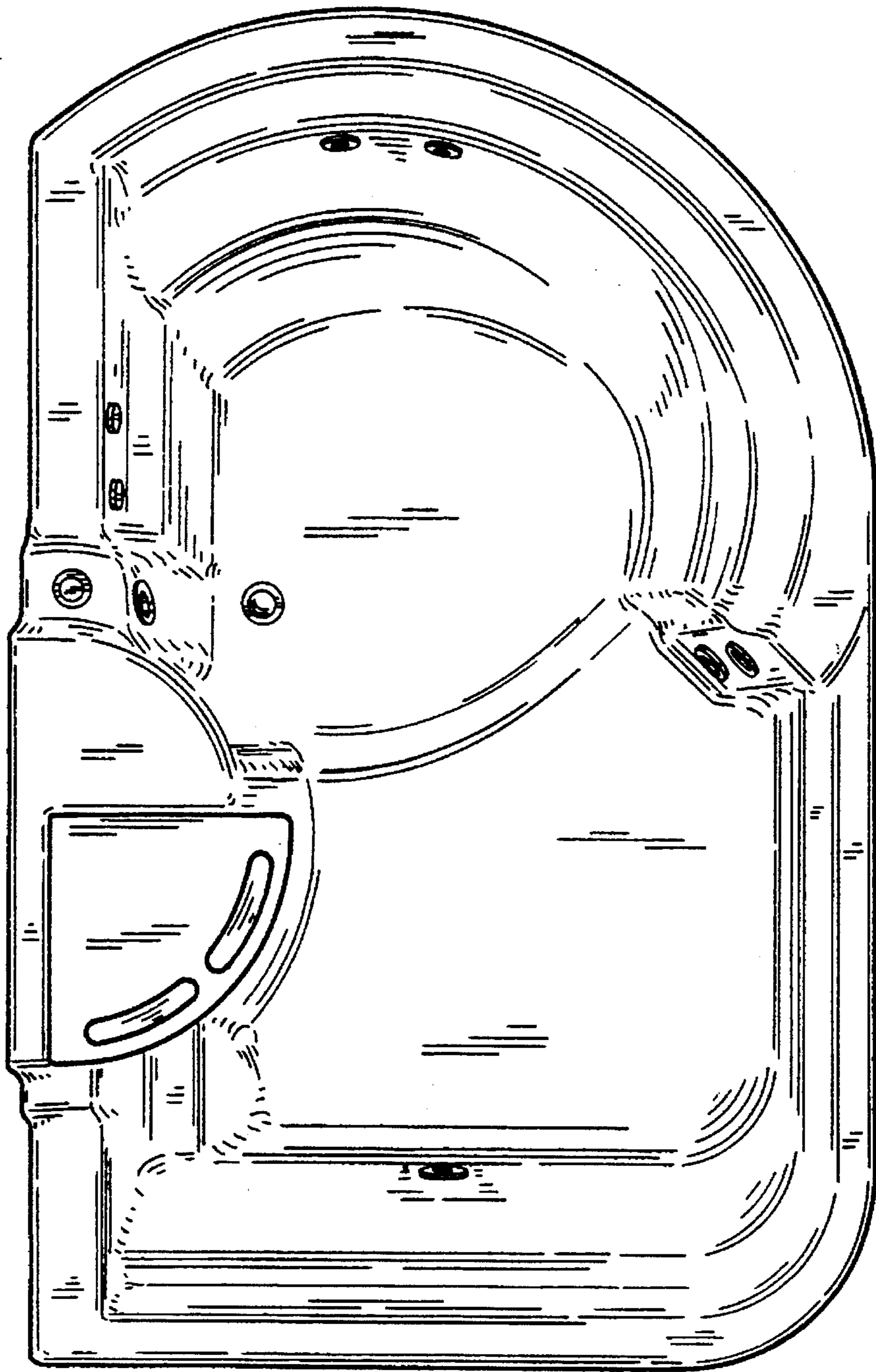


FIG. 1

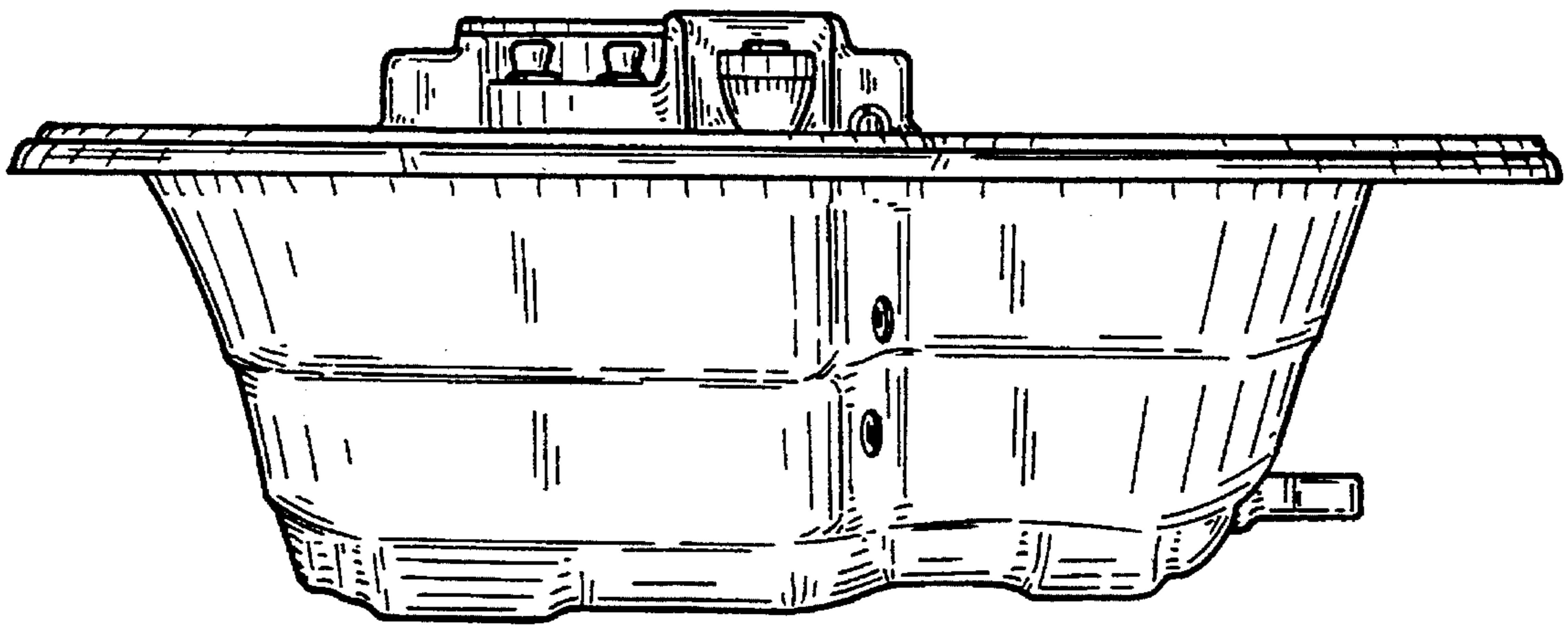


FIG. 2

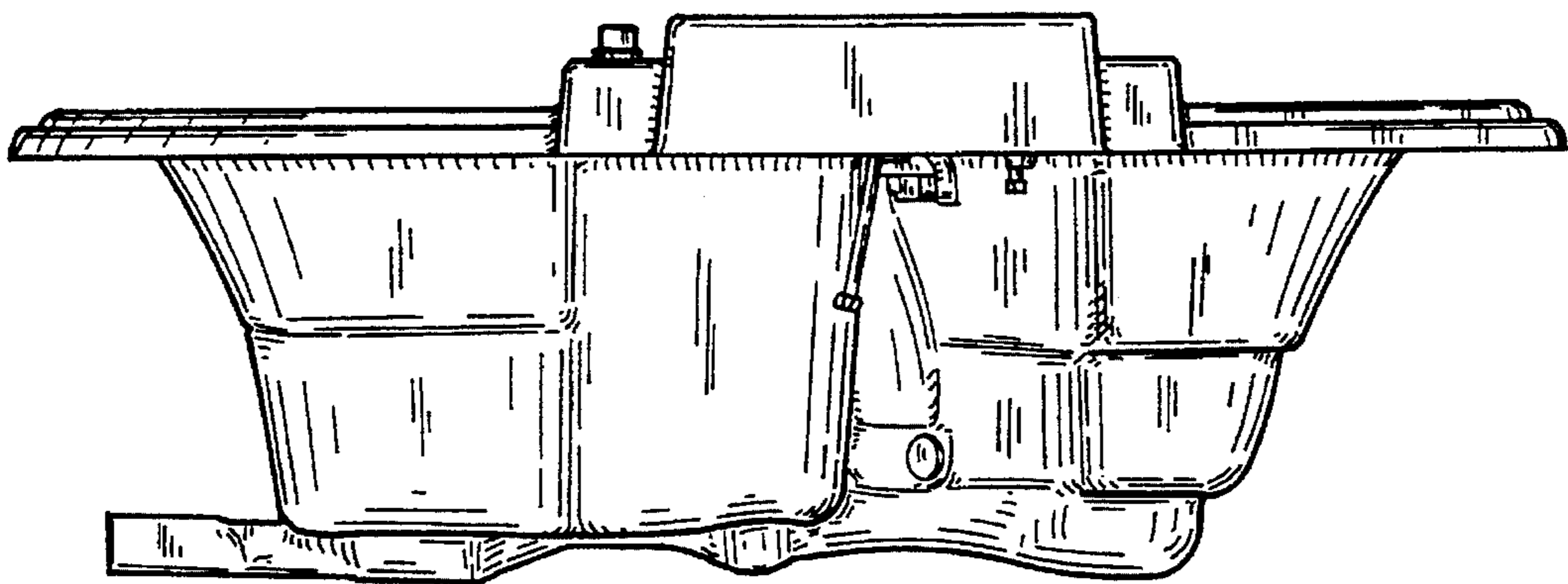


FIG. 3

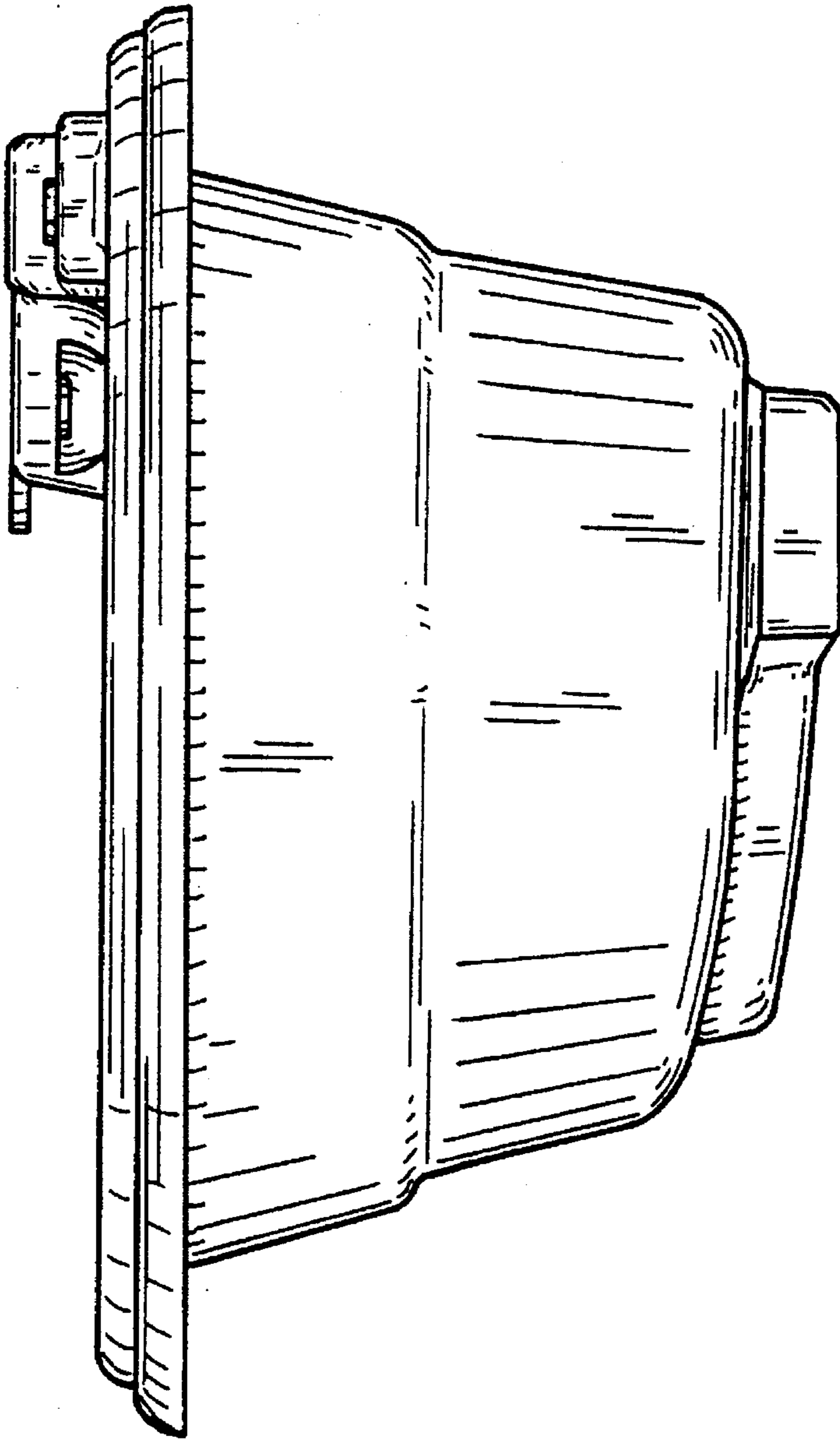


FIG. 4

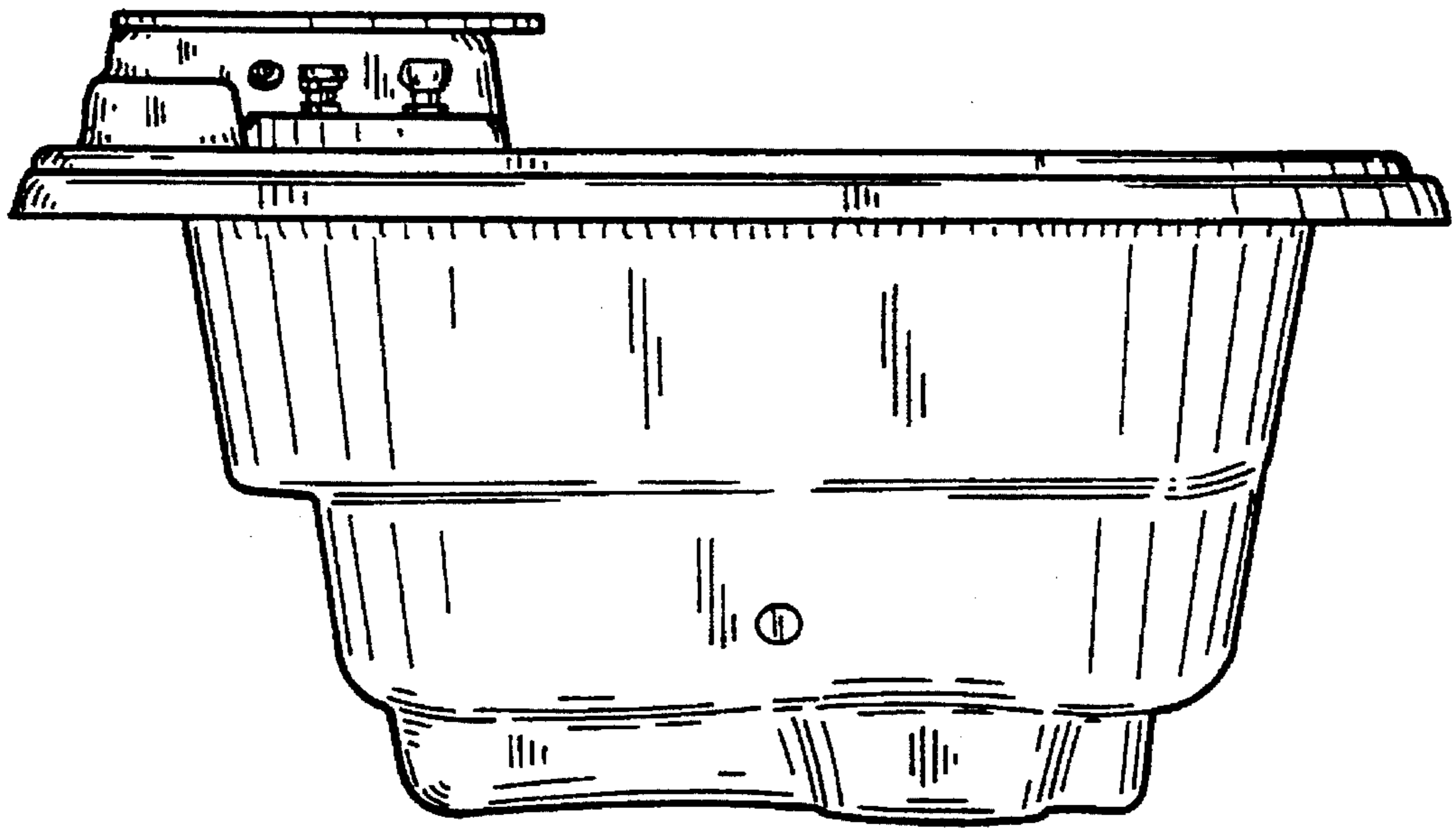


FIG. 5

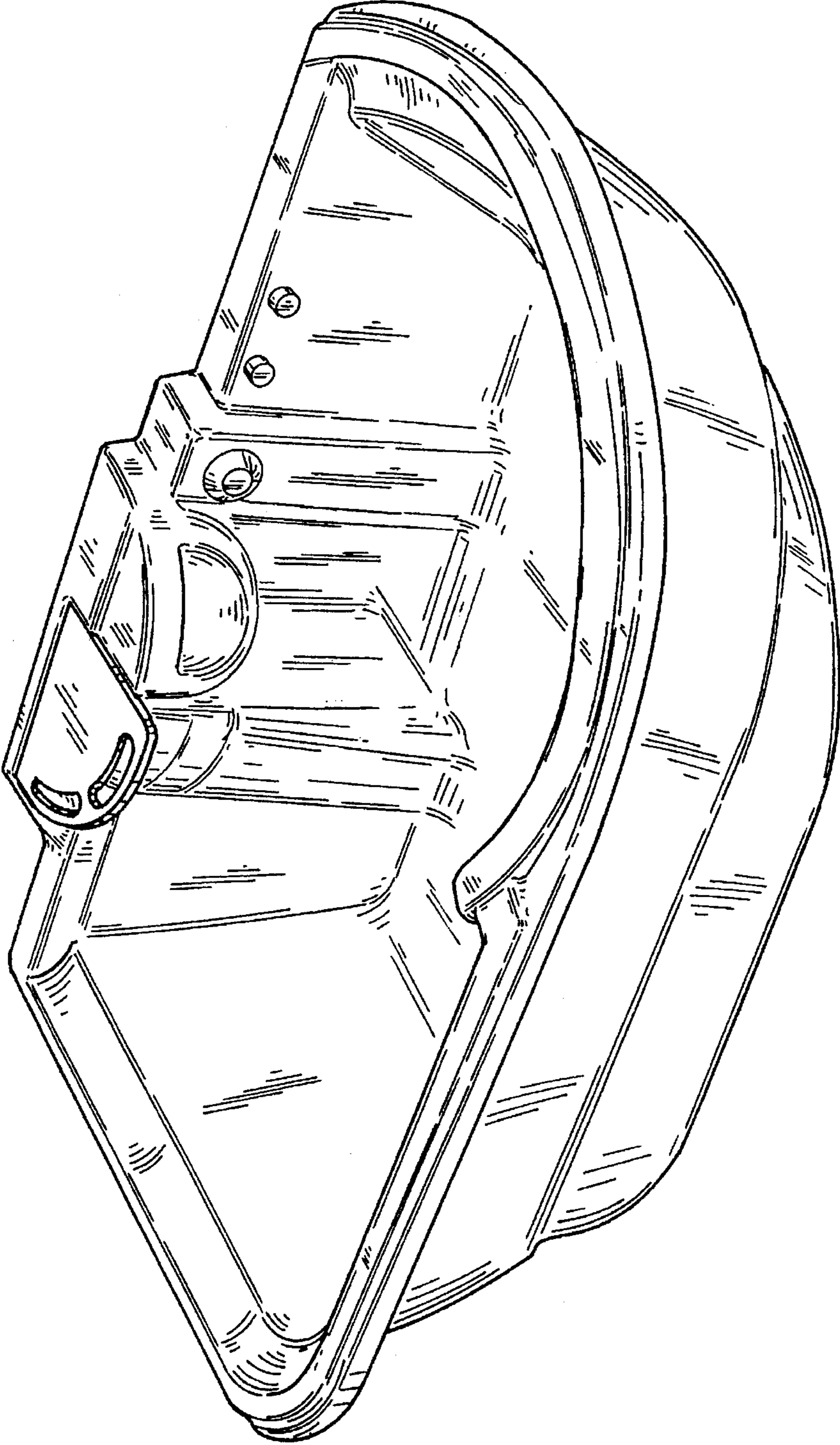


FIG. 6