



US00D377079S

United States Patent [19] Robinson

[11] Patent Number: **Des. 377,079**

[45] Date of Patent: ****Dec. 31, 1996**

[54] ICE FISHING REEL

5,513,463 5/1996 Drinkwater 242/423.2

[76] Inventor: **Paul Robinson**, Box 81, Dwight, ON,
Canada, P0A 1H0

Primary Examiner—Doris V. Coles
Attorney, Agent, or Firm—Harold H. Dutton, Jr.; W. Charles
L. Jamison; Diane F. Liebman

[**] Term: **14 Years**

[57] **CLAIM**

[21] Appl. No.: **44,787**

The ornamental design for an ice fishing reel, as shown.

[22] Filed: **Sep. 29, 1995**

DESCRIPTION

[52] U.S. Cl. **D22/137; D22/134**

[58] Field of Search D22/137, 134,
D22/139; 242/423.2, 598.3, 902, 598.4

FIG. 1 is a front perspective view of an ice fishing reel
showing my new design;

FIG. 2 is a rear view thereof;

FIG. 3 is a top view thereof;

FIG. 4 is a bottom view thereof;

FIG. 5 is a right side view thereof; and,

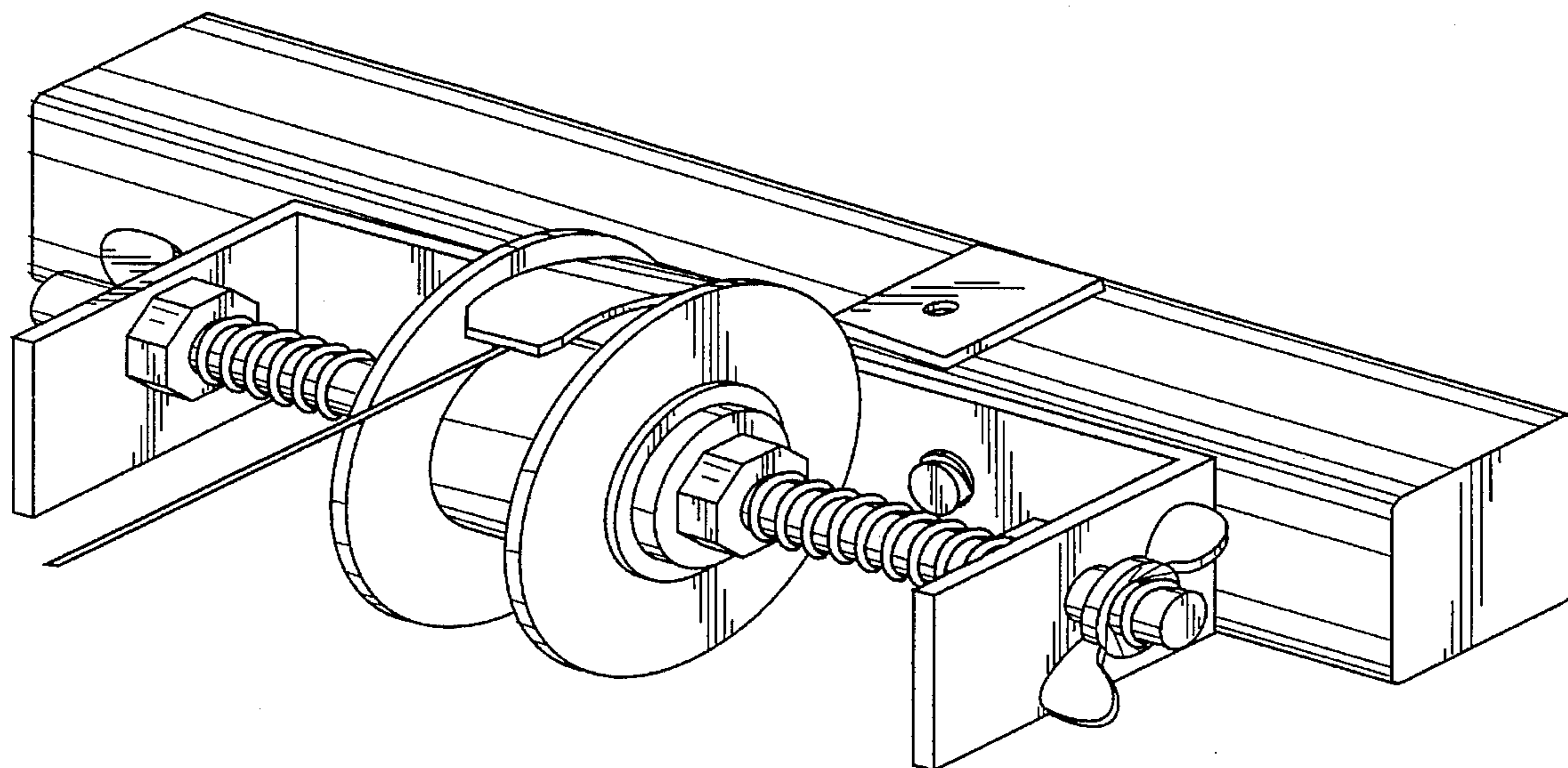
FIG. 6 is a left side view thereof;

[56] **References Cited**

U.S. PATENT DOCUMENTS

4,540,136	9/1985	Rauch	242/902 X
4,776,527	10/1988	Prowant	242/902 X
4,948,059	8/1990	Lewitt	242/423.2 X
5,482,226	1/1996	Choate	242/598.3 X

1 Claim, 4 Drawing Sheets



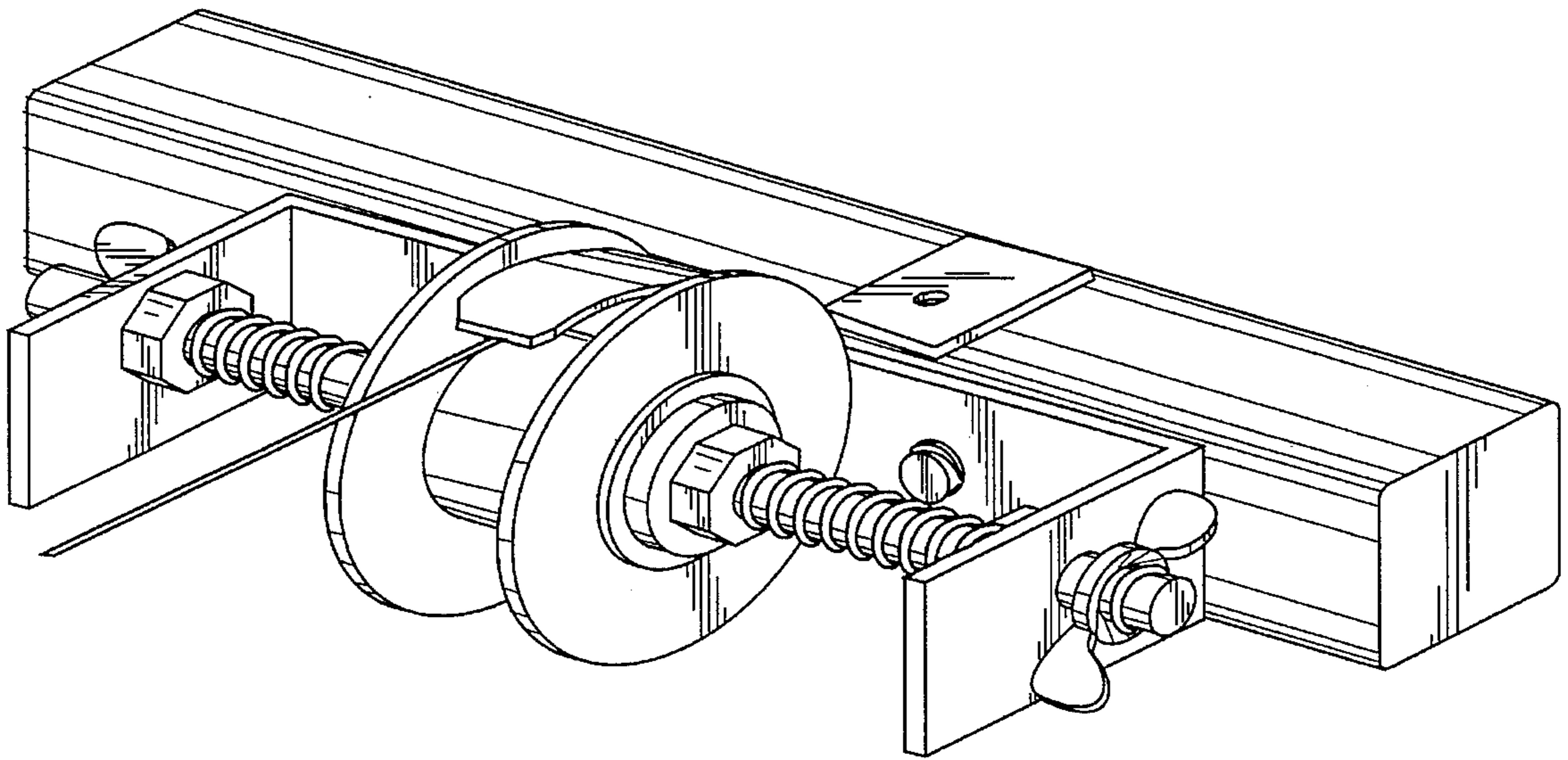


FIG. 1

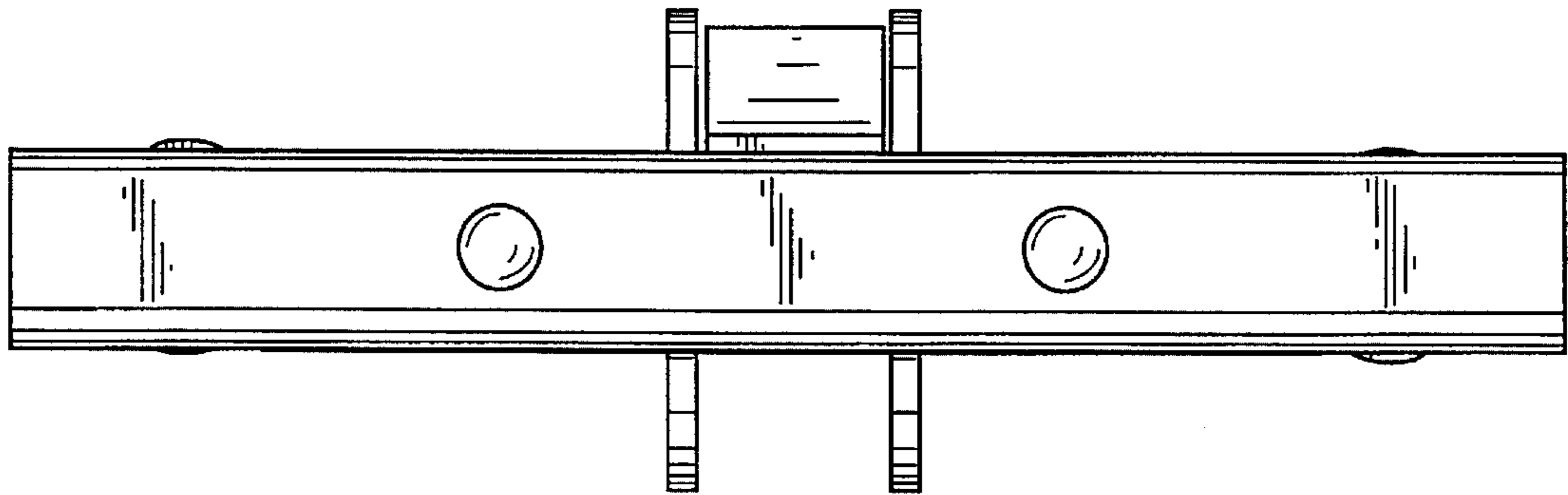


FIG. 2

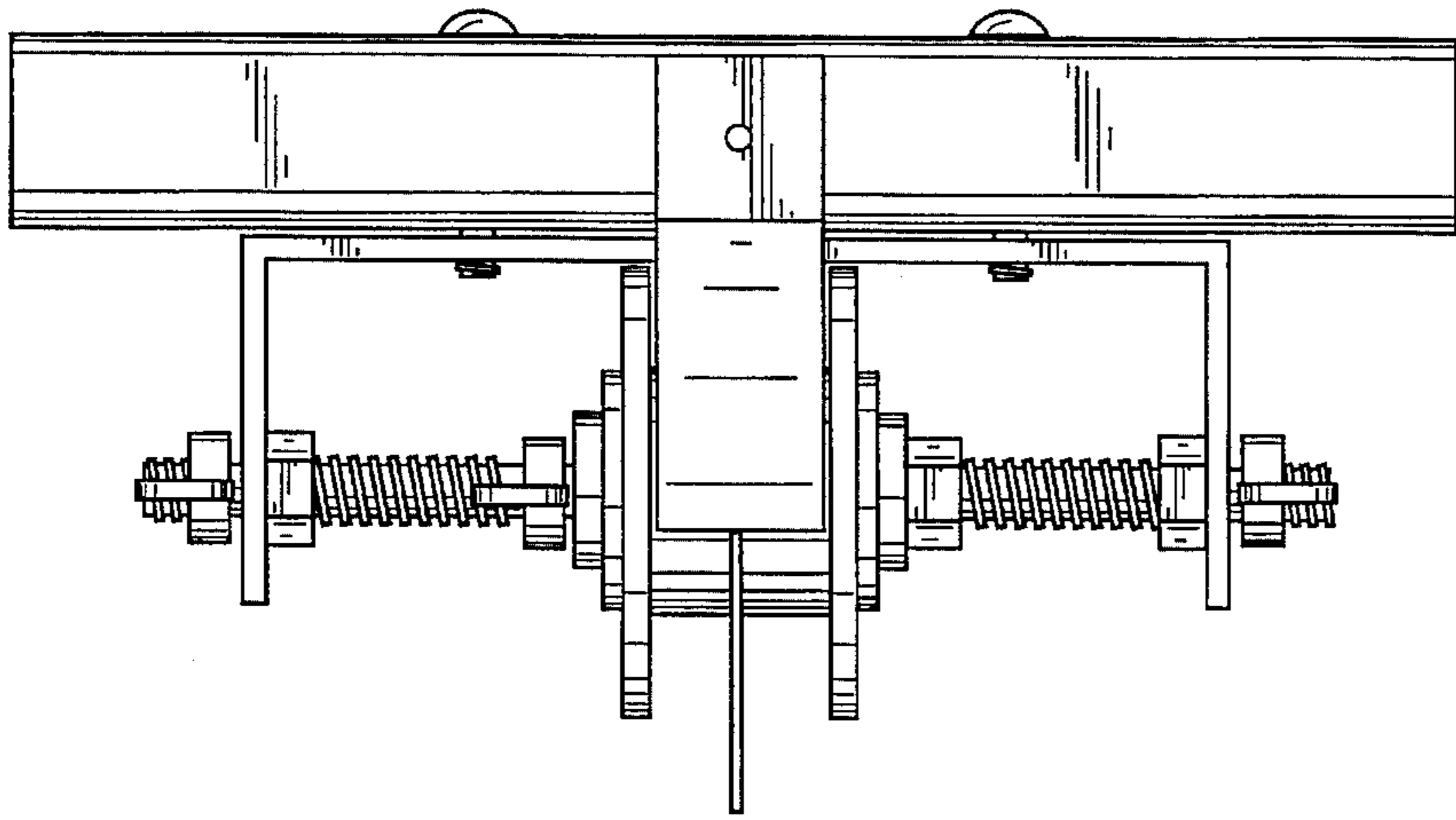
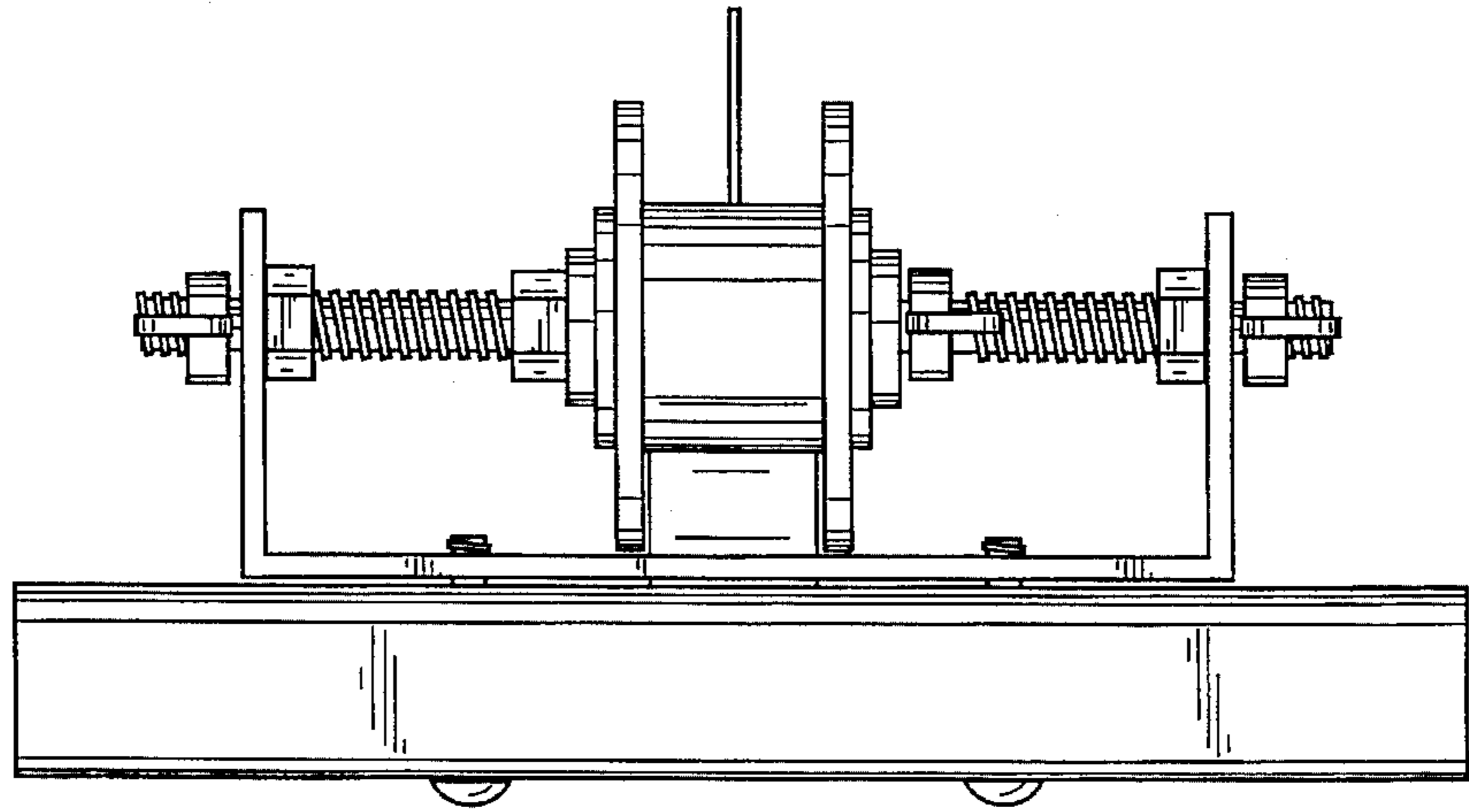


FIG. 3

FIG. 4



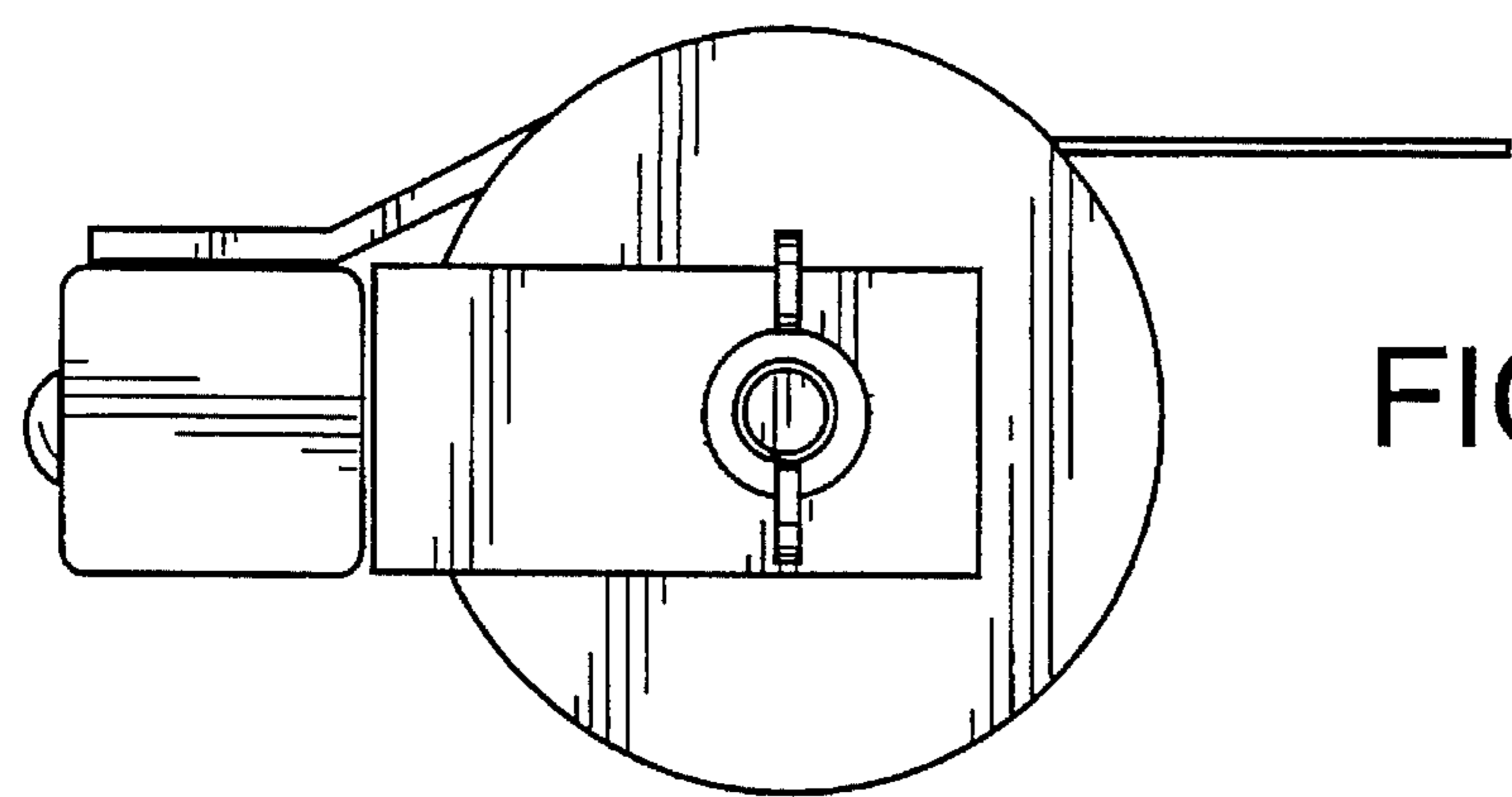


FIG. 5

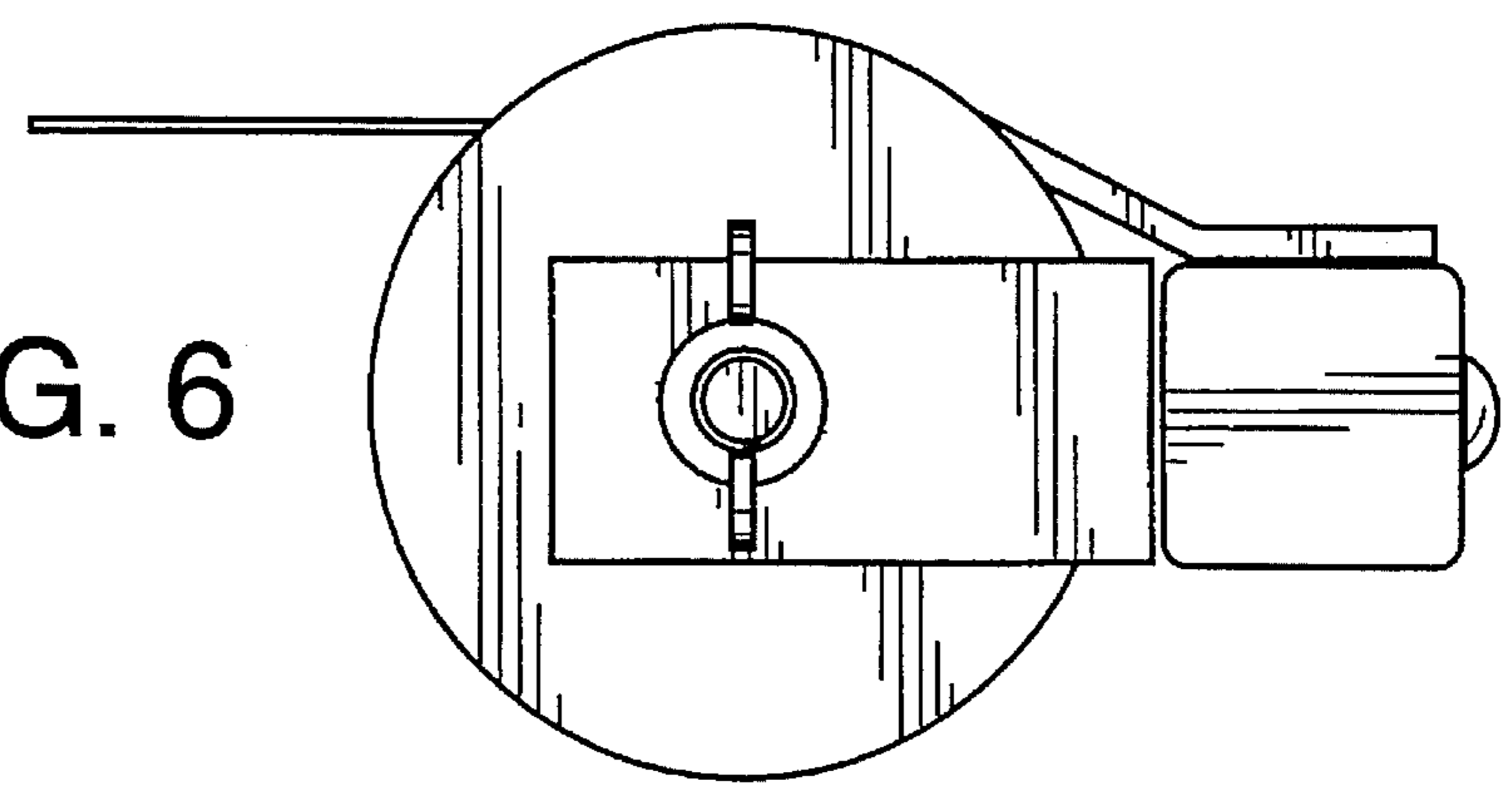


FIG. 6