



US00D377075S

# United States Patent [19]

Temple et al.

[11] Patent Number: Des. 377,075

[45] Date of Patent: \*\*Dec. 31, 1996

- [54] PLAYGROUND APPARATUS
- [75] Inventors: **Kenneth D. Temple**, Twinsburg;  
**Christopher G. Walter**, Suffield, both  
of Ohio
- [73] Assignee: **The Little Tikes Company**, Hudson,  
Ohio
- [\*\*] Term: **14 Years**
- [21] Appl. No.: **41,216**
- [22] Filed: **Jul. 10, 1995**
- [52] U.S. Cl. .... **D21/244**
- [58] Field of Search ..... D21/108, 109,  
D21/240-245; 472/116, 117, 136; 482/35,  
36

4,262,900 4/1981 Vinson ..... 272/113  
4,796,884 1/1989 Ely et al. .... 272/113

### FOREIGN PATENT DOCUMENTS

0534058 6/1992 European Pat. Off. .

### OTHER PUBLICATIONS

Catalog page, Climber; Step 2 Corporation, 2200 Highland Road, P.O. Box 444, Twinsburg, Ohio 44087. Publication date 1993.

P. 49, Climber; Mexico Forge, address unknown. Publication date 1984.

Pp. 2 and 3, Play structures; Fisher-Price, 620 Girard Ave., East Aurora, New York 14052-1879. Publication date Spring, 1995.

*Primary Examiner*—Philip S. Hyder  
*Assistant Examiner*—Mitchell I. Siegel  
*Attorney, Agent, or Firm*—Richard B. O’Planick; Lisa B. Riedesel

### [56] References Cited

#### U.S. PATENT DOCUMENTS

- D. 250,723 1/1979 Dieter et al. .... D21/3
- D. 251,226 3/1979 Barrett et al. .... D21/3
- D. 262,818 1/1982 Works ..... D21/3
- D. 271,037 10/1983 Gordon ..... D31/3
- D. 281,985 12/1985 Spirk et al. .... D21/109
- D. 303,826 10/1989 Aker ..... D21/244
- D. 333,328 2/1993 Aker et al. .... D21/114
- D. 334,610 4/1993 Aker ..... D21/244
- D. 340,098 10/1993 Petersheim ..... D21/242
- D. 340,099 10/1993 Warren et al. .... D21/243
- D. 340,273 10/1993 Ezell ..... D21/244
- D. 343,438 1/1994 Fish ..... D21/244
- D. 344,773 3/1994 Aker et al. .... D21/244
- D. 355,693 2/1995 Aker et al. .... D21/244
- D. 358,860 5/1995 Pipik ..... D21/245
- D. 361,614 8/1995 Aker et al. .... D21/244

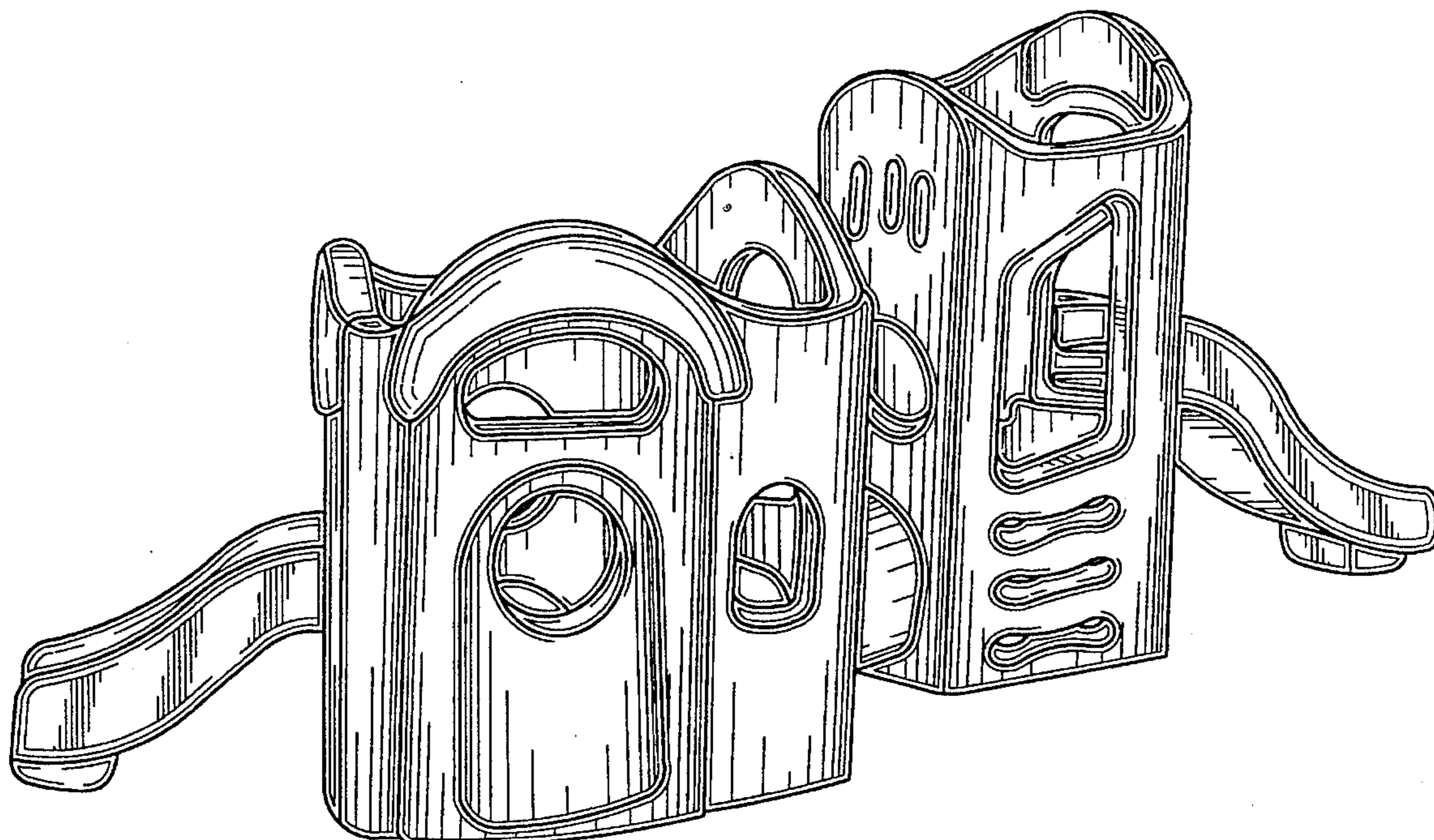
### [57] CLAIM

The ornamental design for a playground apparatus, as shown and described.

### DESCRIPTION

FIG. 1 is a top left front perspective view of a playground apparatus showing our new design;  
FIG. 2 is a front elevational view thereof;  
FIG. 3 is a rear elevational view thereof;  
FIG. 4 is a left side elevational view thereof;  
FIG. 5 is a right side elevational view thereof;  
FIG. 6 is a top plan view thereof; and,  
FIG. 7 is a bottom plan view thereof.

1 Claim, 6 Drawing Sheets



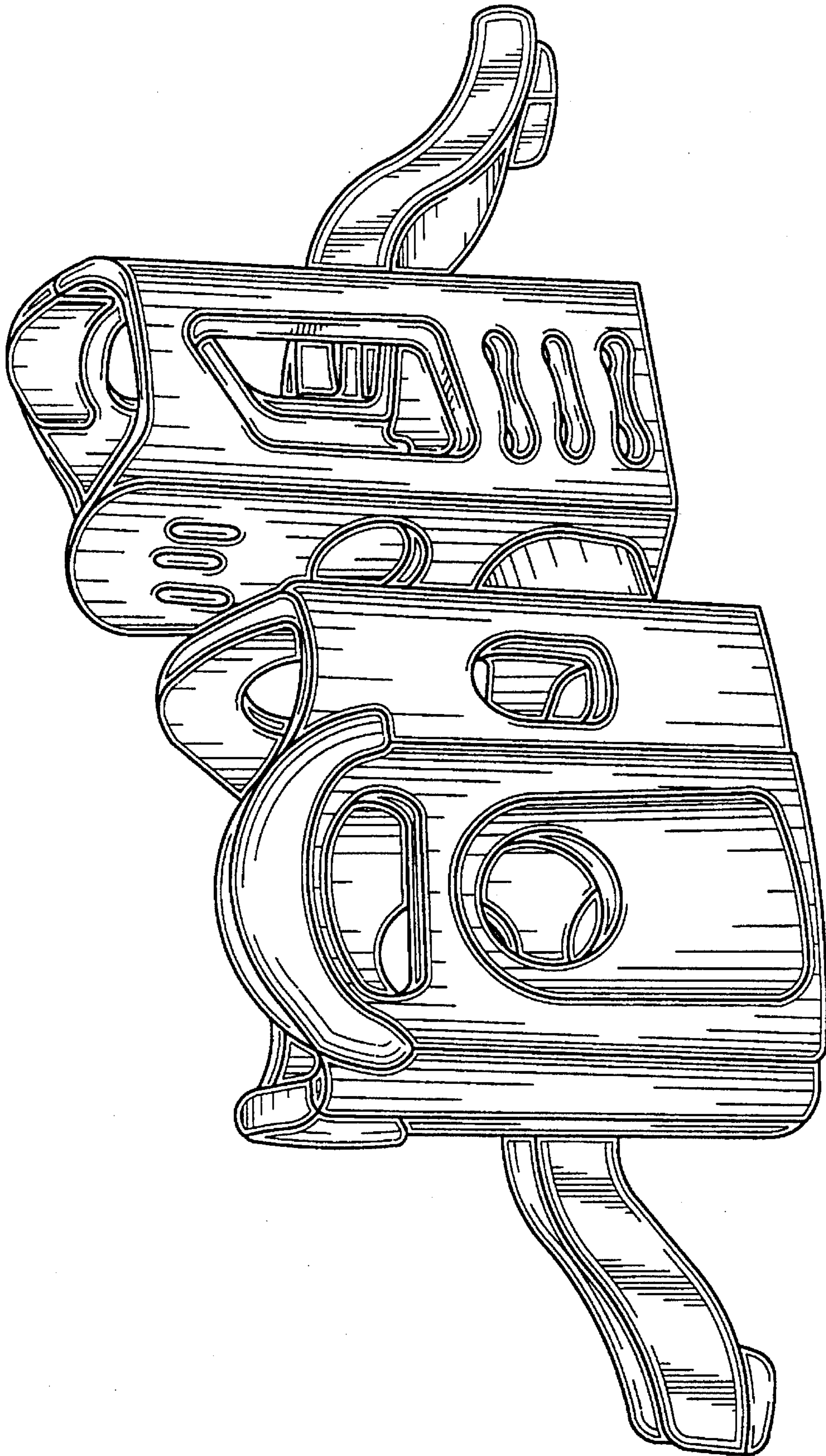


FIG. 1

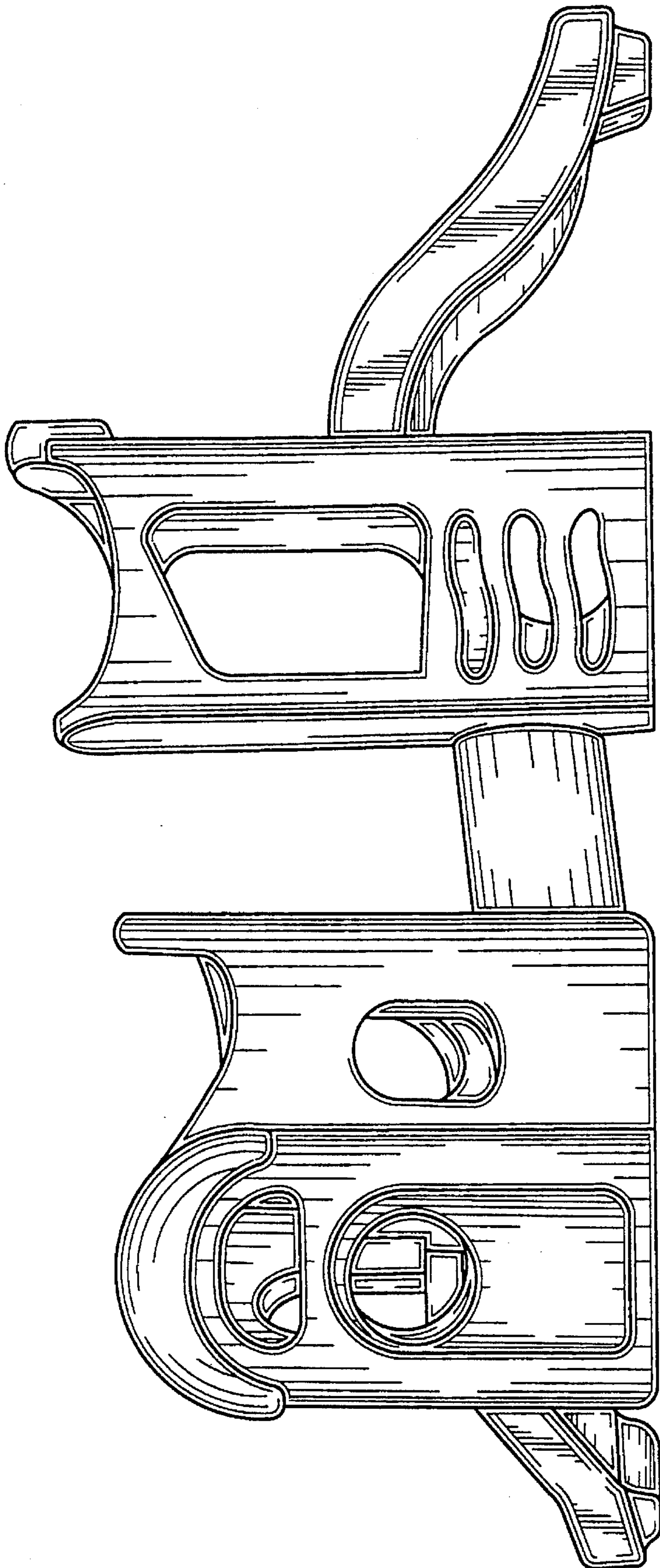


FIG. 2

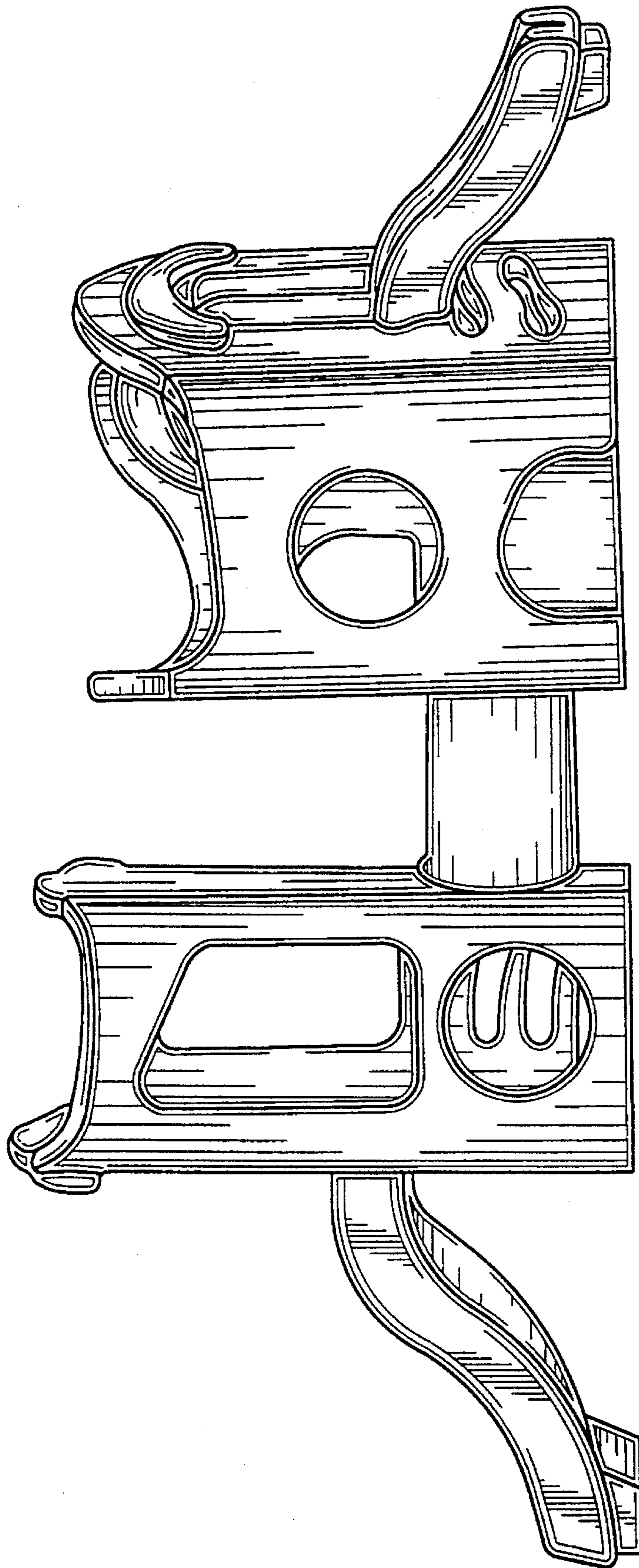


FIG. 3

FIG. 4

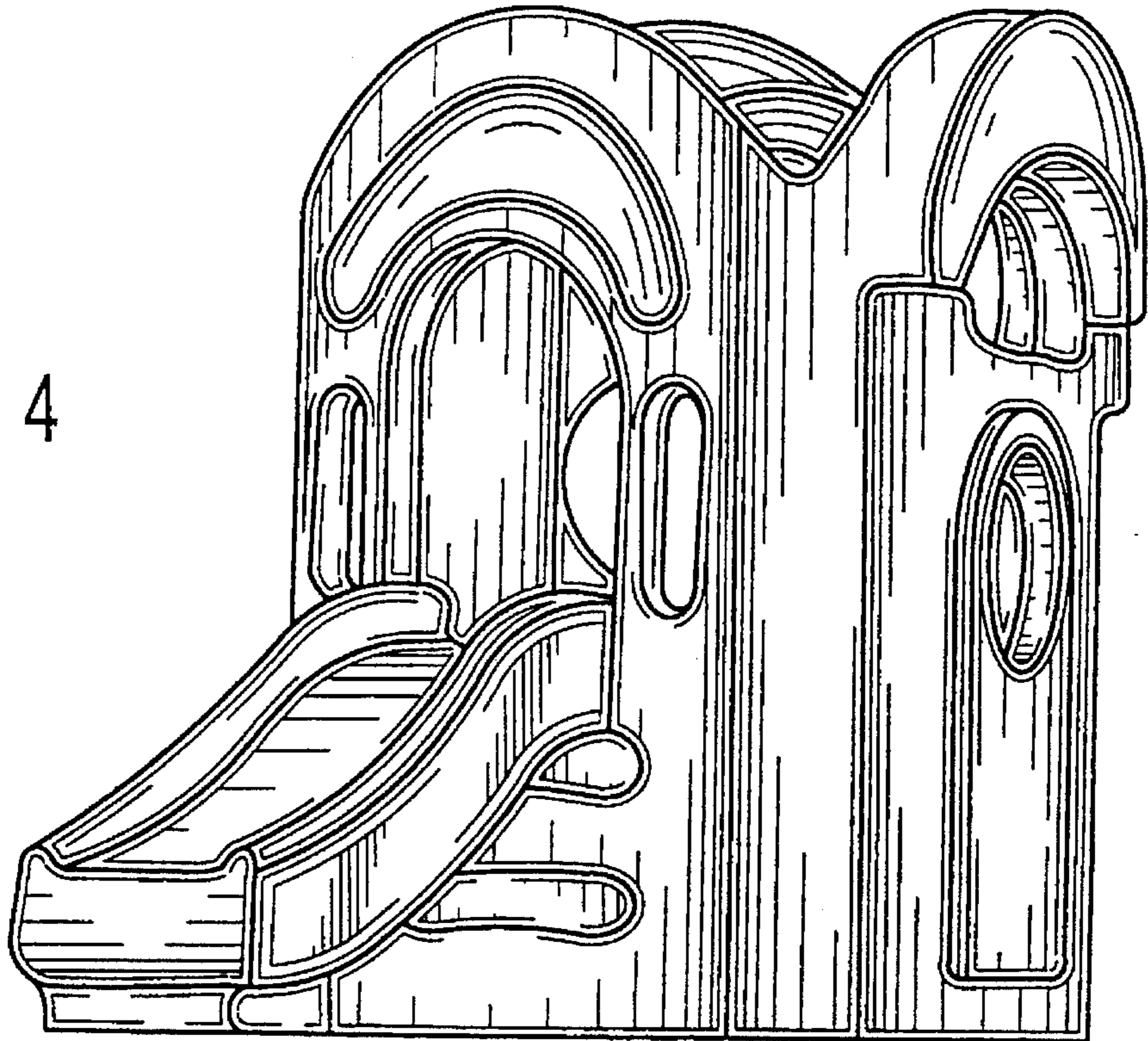
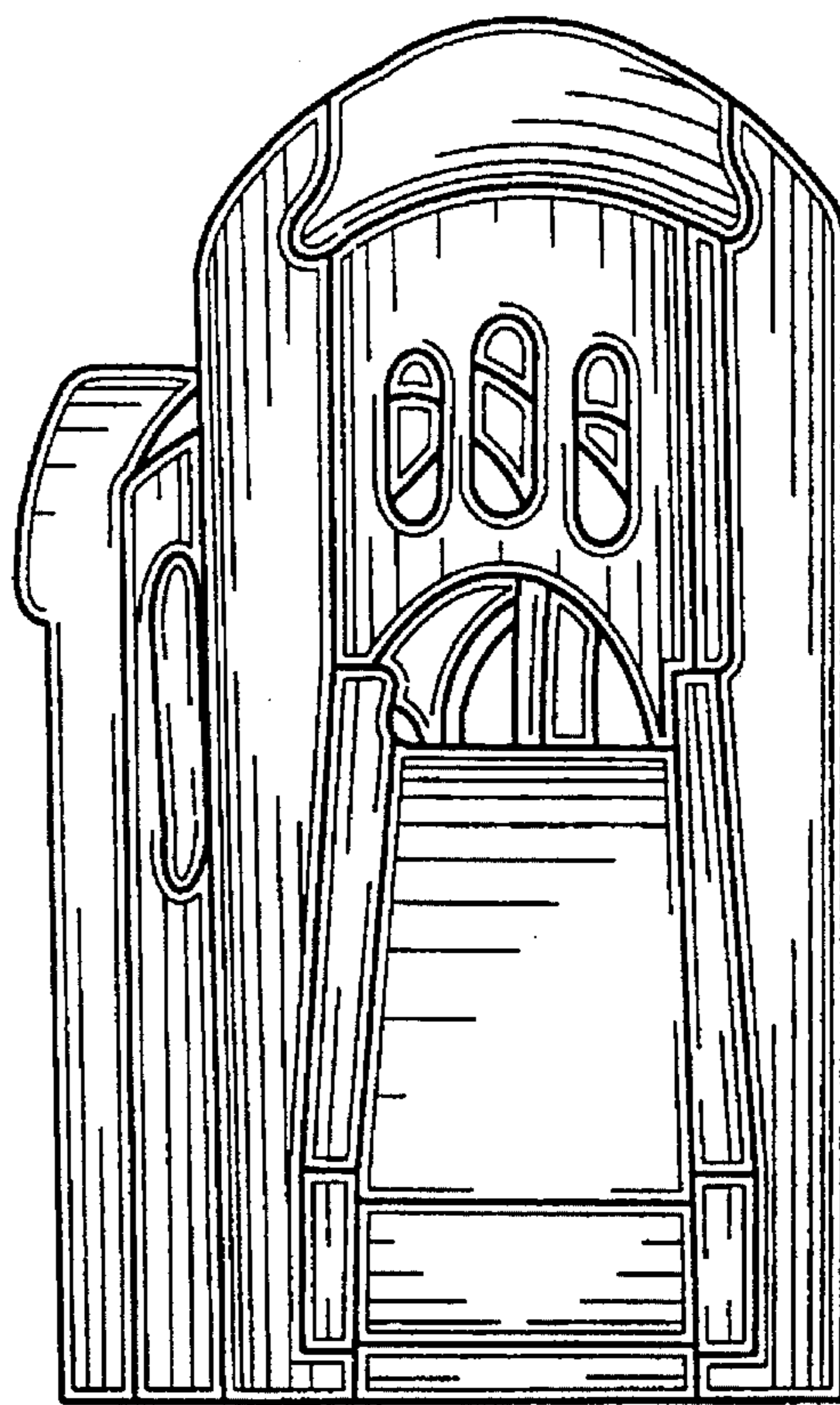


FIG. 5



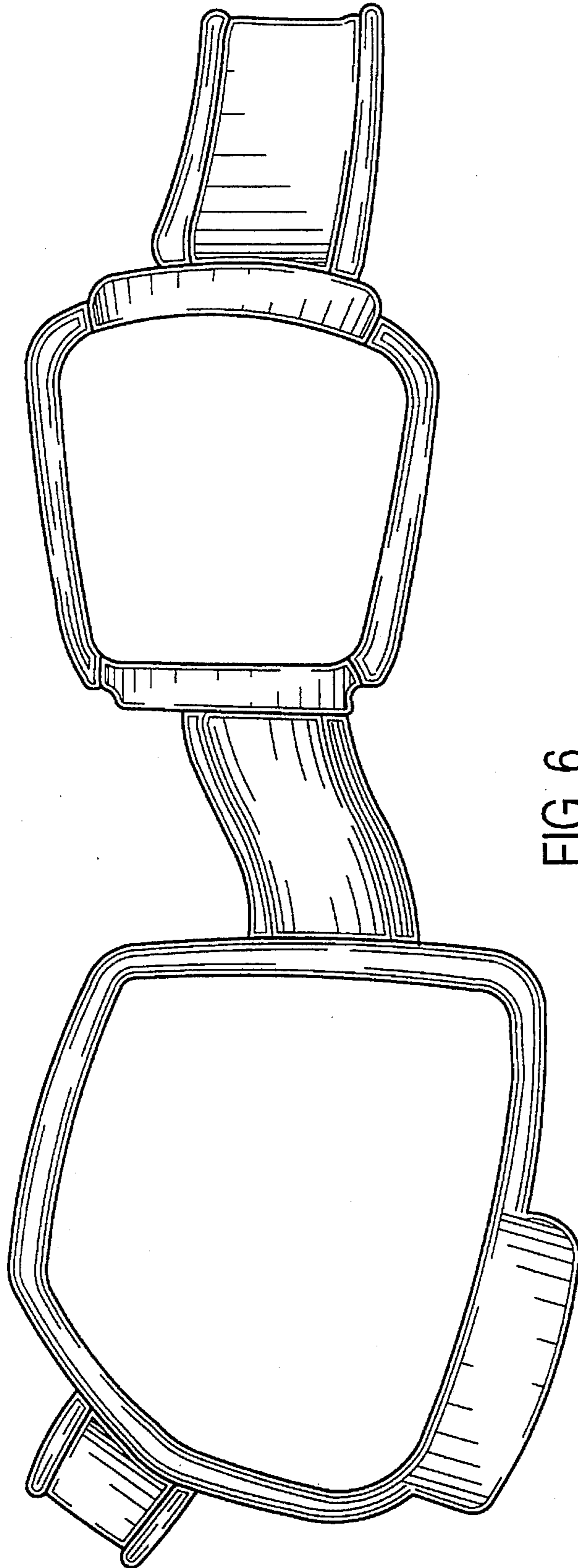


FIG. 6

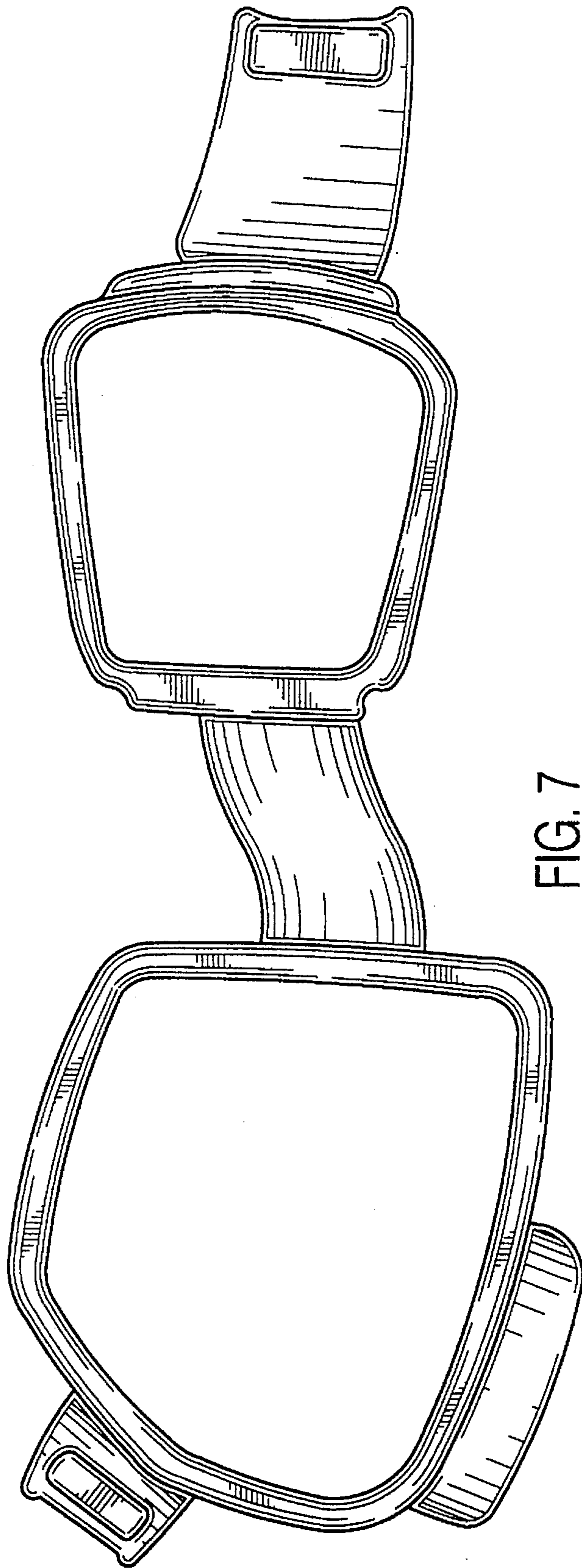


FIG. 7