



US00D377052S

United States Patent [19] Woodard

[11] Patent Number: **Des. 377,052**

[45] Date of Patent: ****Dec. 31, 1996**

- [54] **VENDING MACHINE**
- [75] Inventor: **Robert H. Woodard**, Ventura, Calif.
- [73] Assignee: **Accurate Engineering Precision Sheet Metal Fabrication and Machining, Inc.**, Newbury Park, Calif.
- [**] Term: **14 Years**
- [21] Appl. No.: **46,616**
- [22] Filed: **Oct. 13, 1995**
- [52] U.S. Cl. **D20/2**
- [58] Field of Search **D20/1, 2; 194/350, 194/344; 221/129**

Brand Imports ad, Vending Times, Dec. 25, 1995—Jan. 24, 1996.

Peninsula Vending Inc. ad, Tourist Attractions & Parks, Nov. 1995, p. 105.

Primary Examiner—Ted Shooman
Assistant Examiner—Mitchell J. Siegel
Attorney, Agent, or Firm—Koppel & Jacobs

[57] CLAIM

The ornamental design for a vending machine, as shown and described.

DESCRIPTION

FIG. 1 is a perspective view of a vending machine showing my new design;

FIG. 2 is a front elevational view thereof;

FIG. 3 is a rear elevational view thereof;

FIG. 4 is a right side elevational view thereof, the undisclosed opposite side being a mirror image;

FIG. 5 is a bottom plan view thereof; and,

FIG. 6 is a top plan view thereof.

[56] References Cited

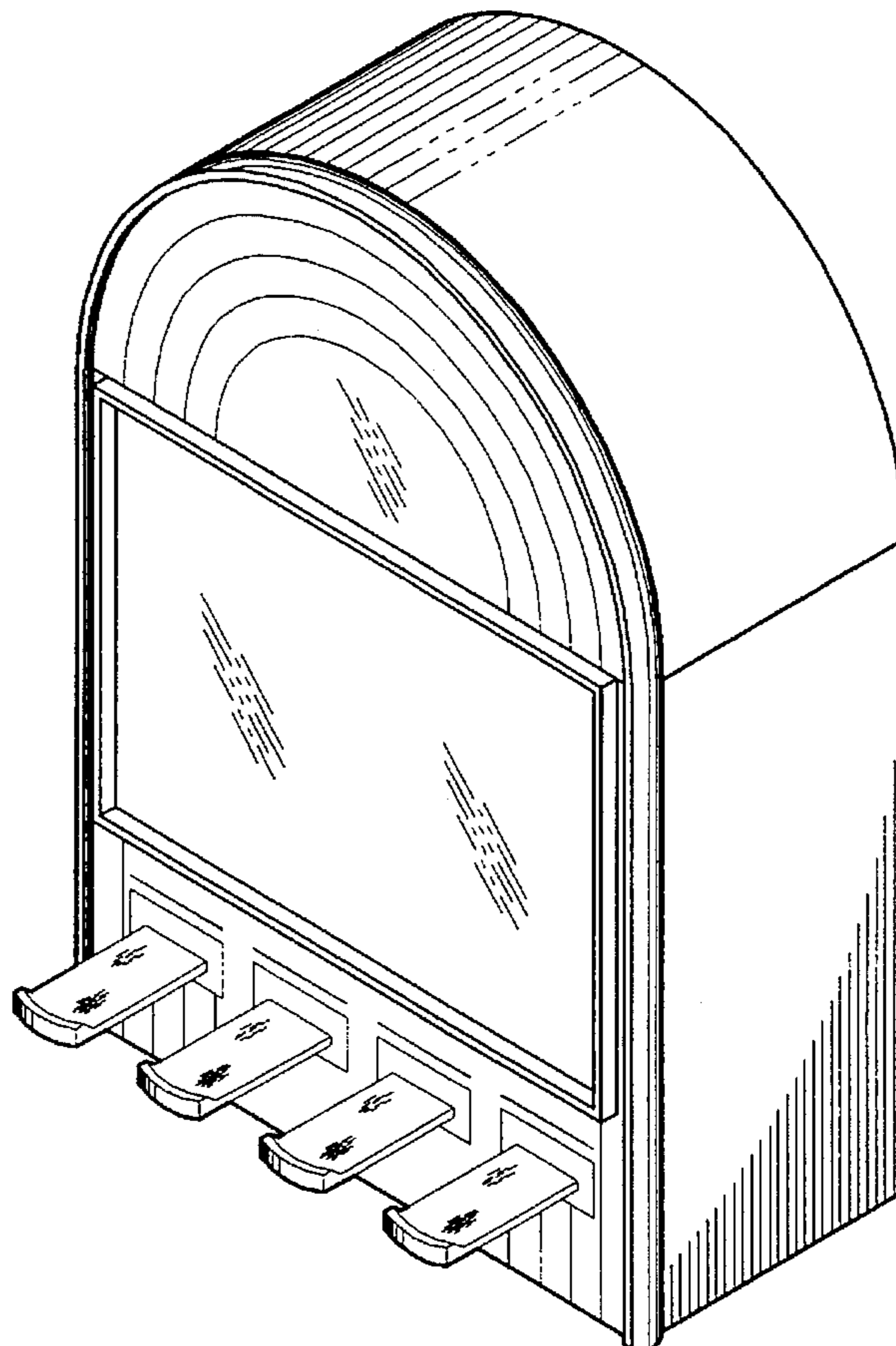
U.S. PATENT DOCUMENTS

D. 97,002	9/1935	Shipman	D20/2
D. 328,924	8/1992	Hamilton	D20/4
3,410,383	11/1968	De Fex	194/291

OTHER PUBLICATIONS

Vending times buyers guide, p. 66; vending machines on bottom of page.
Steiner Manufacturing & Sales ad, Vending Times, Dec. 25, 1995—Jan. 24, 1996.

1 Claim, 2 Drawing Sheets



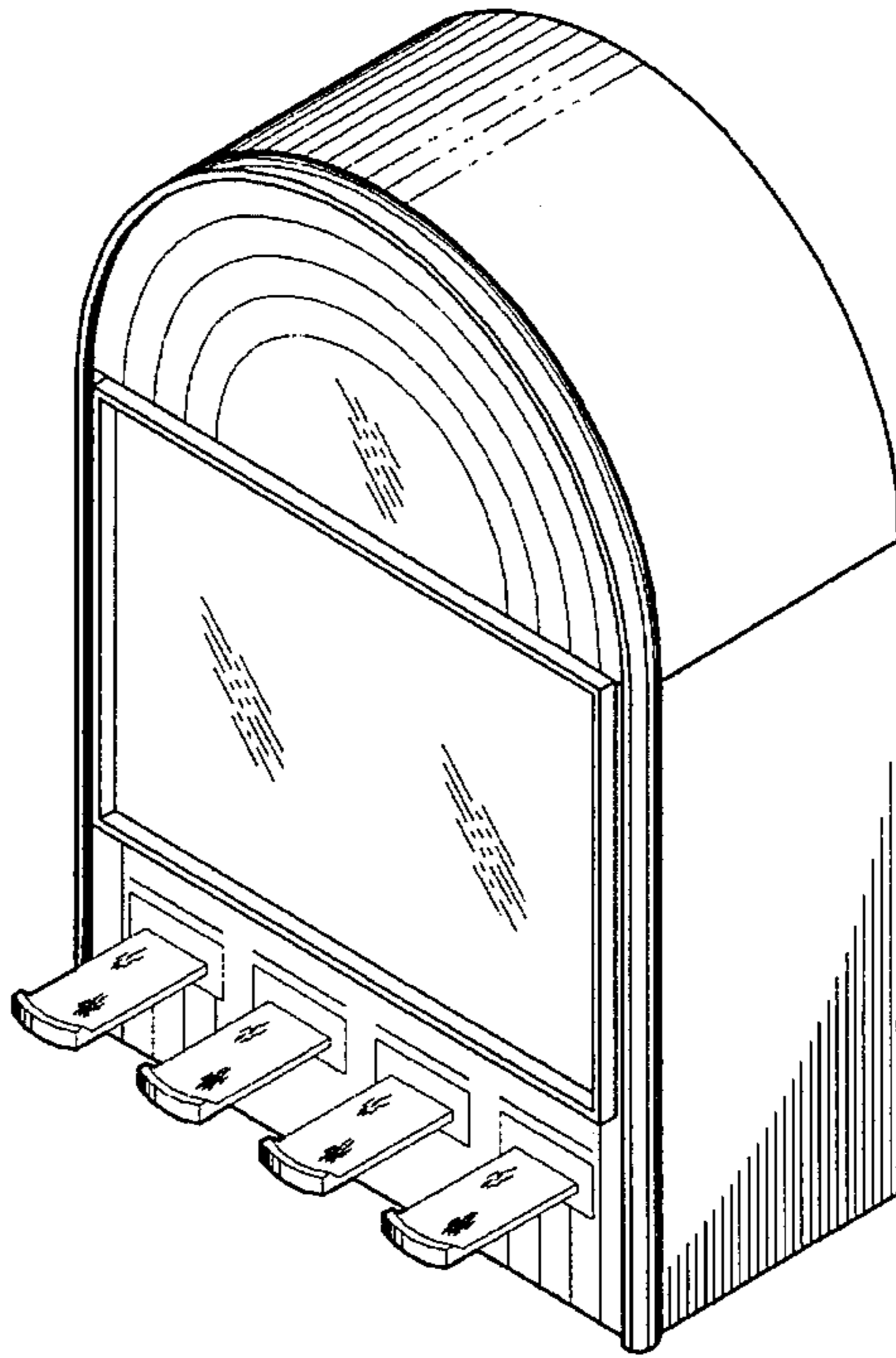


FIG. 1

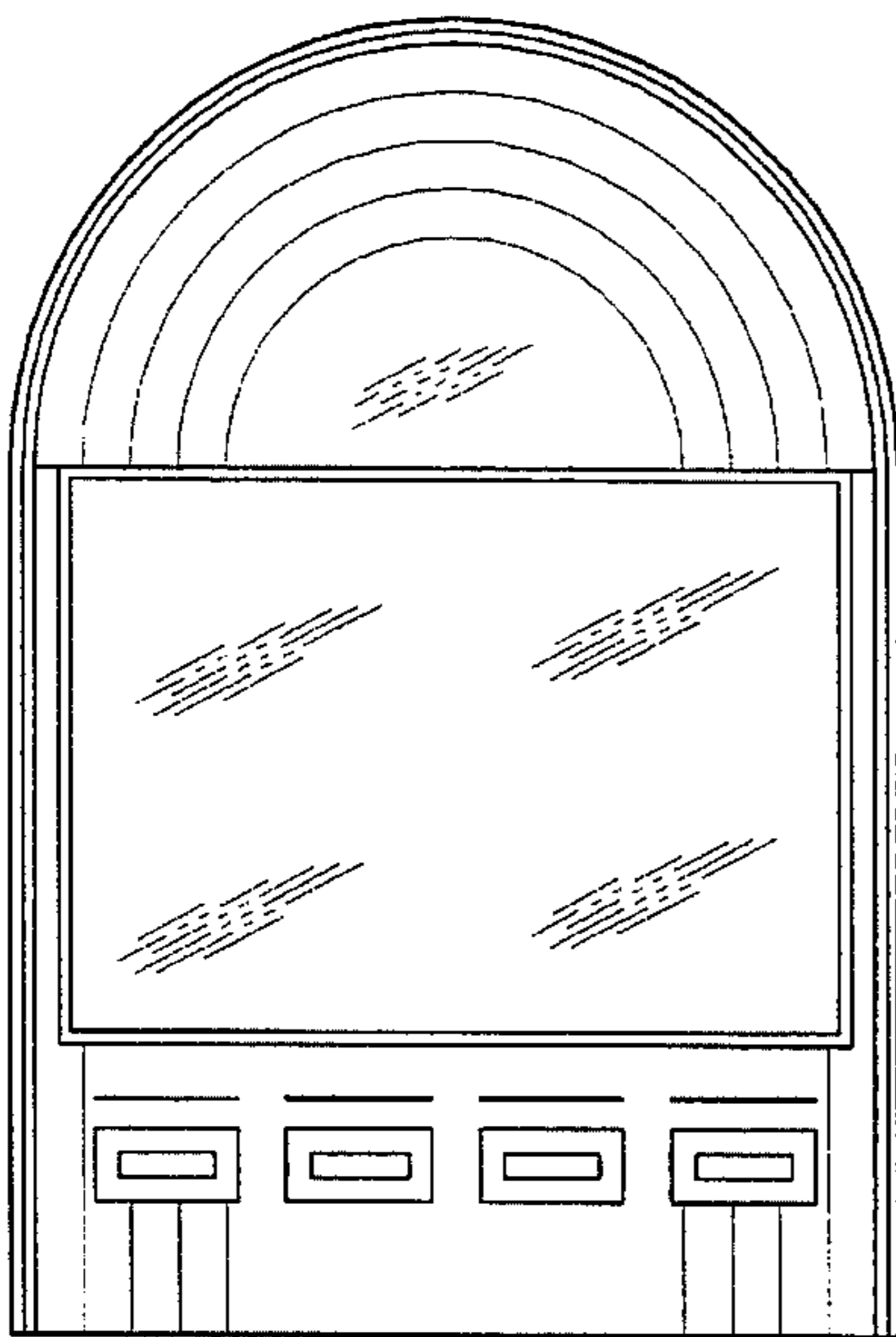


FIG. 2

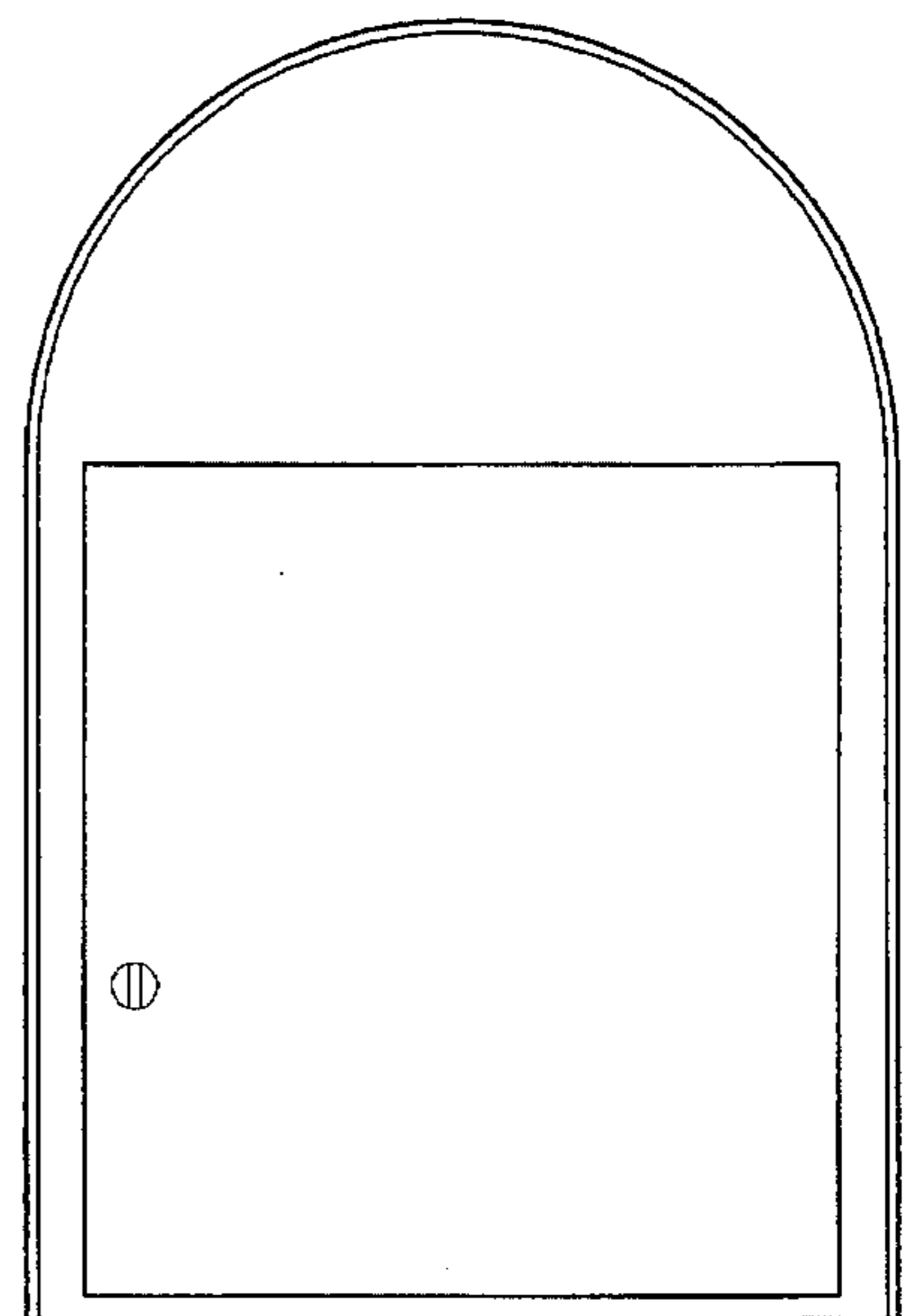


FIG. 3

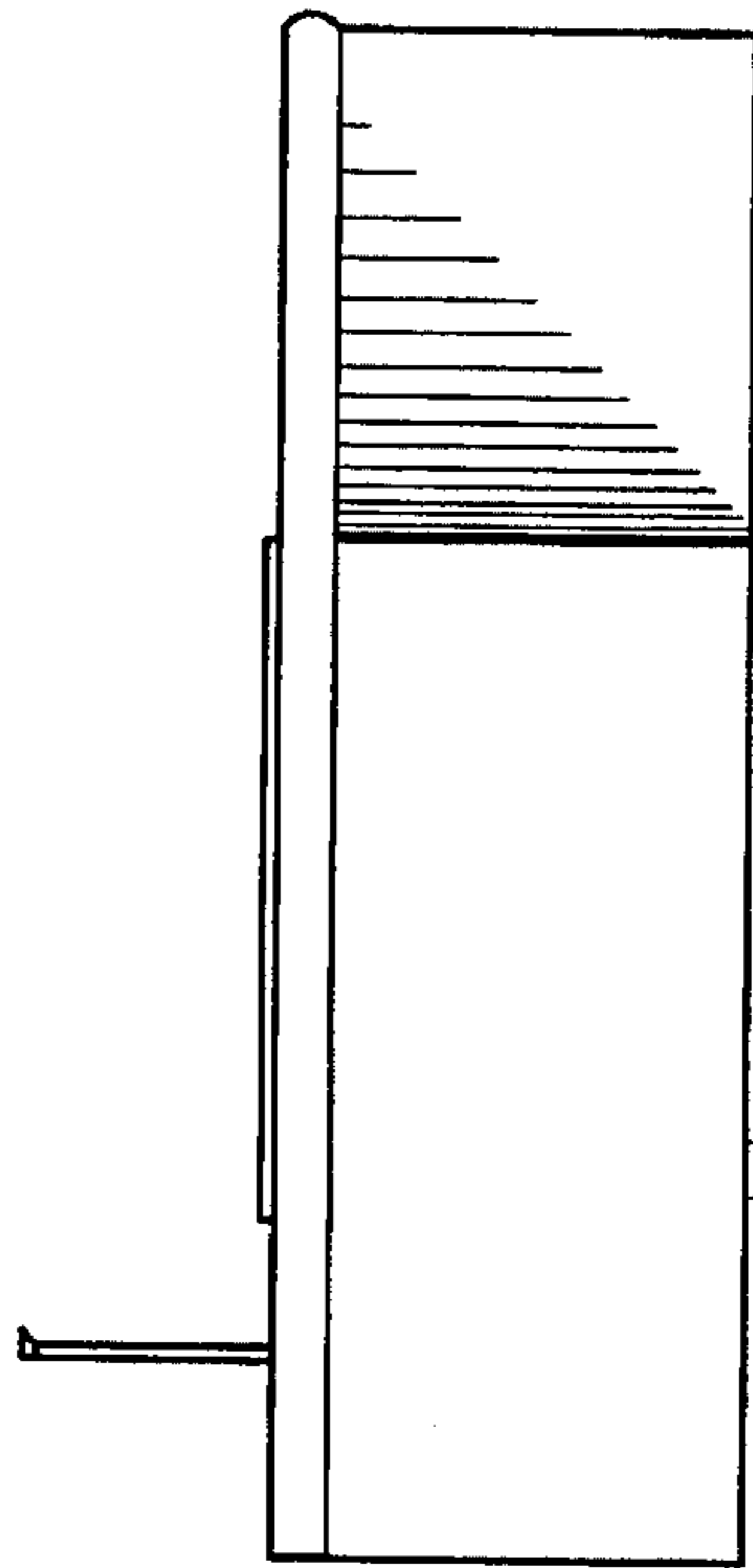


FIG. 4

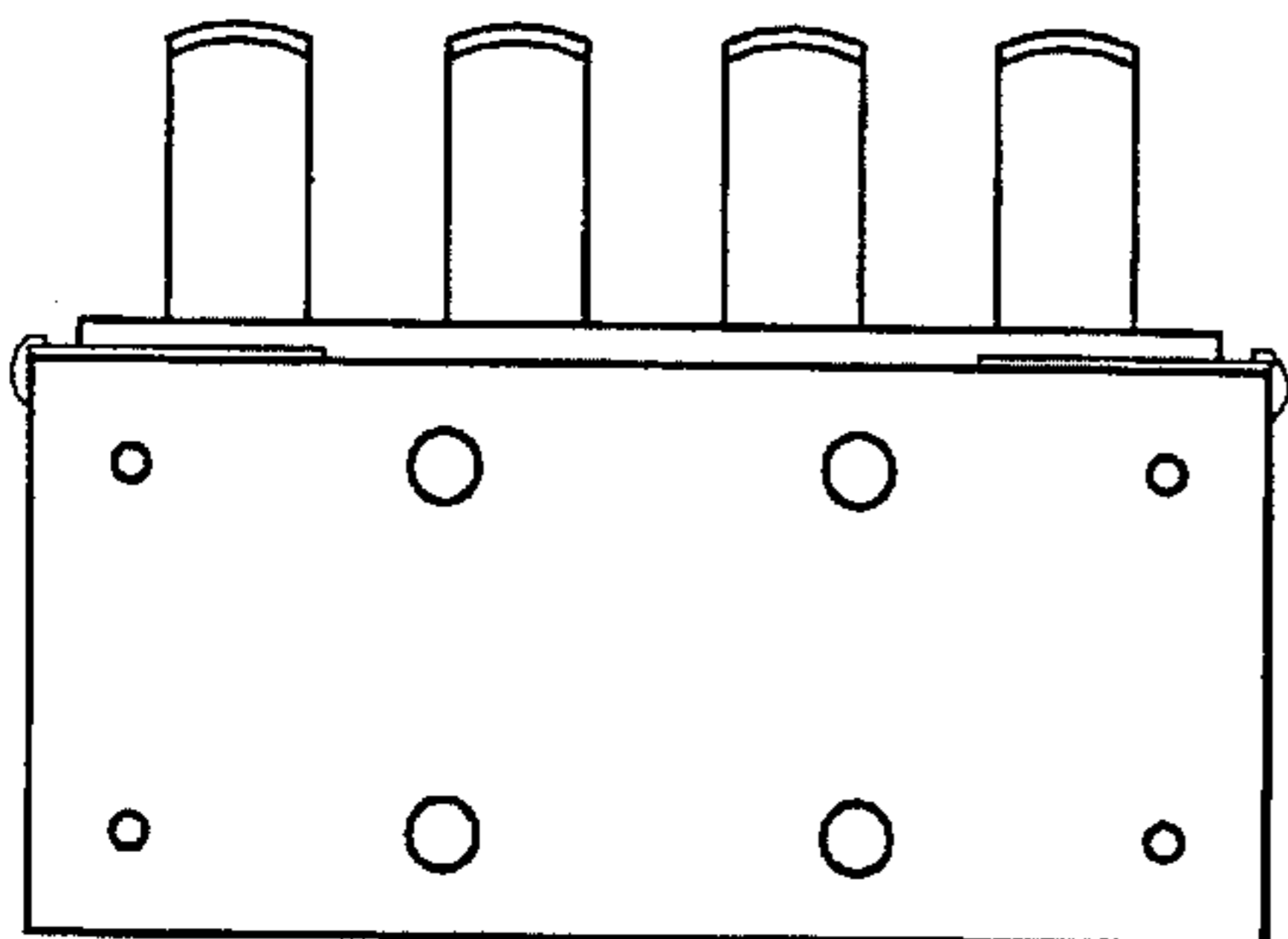


FIG. 5

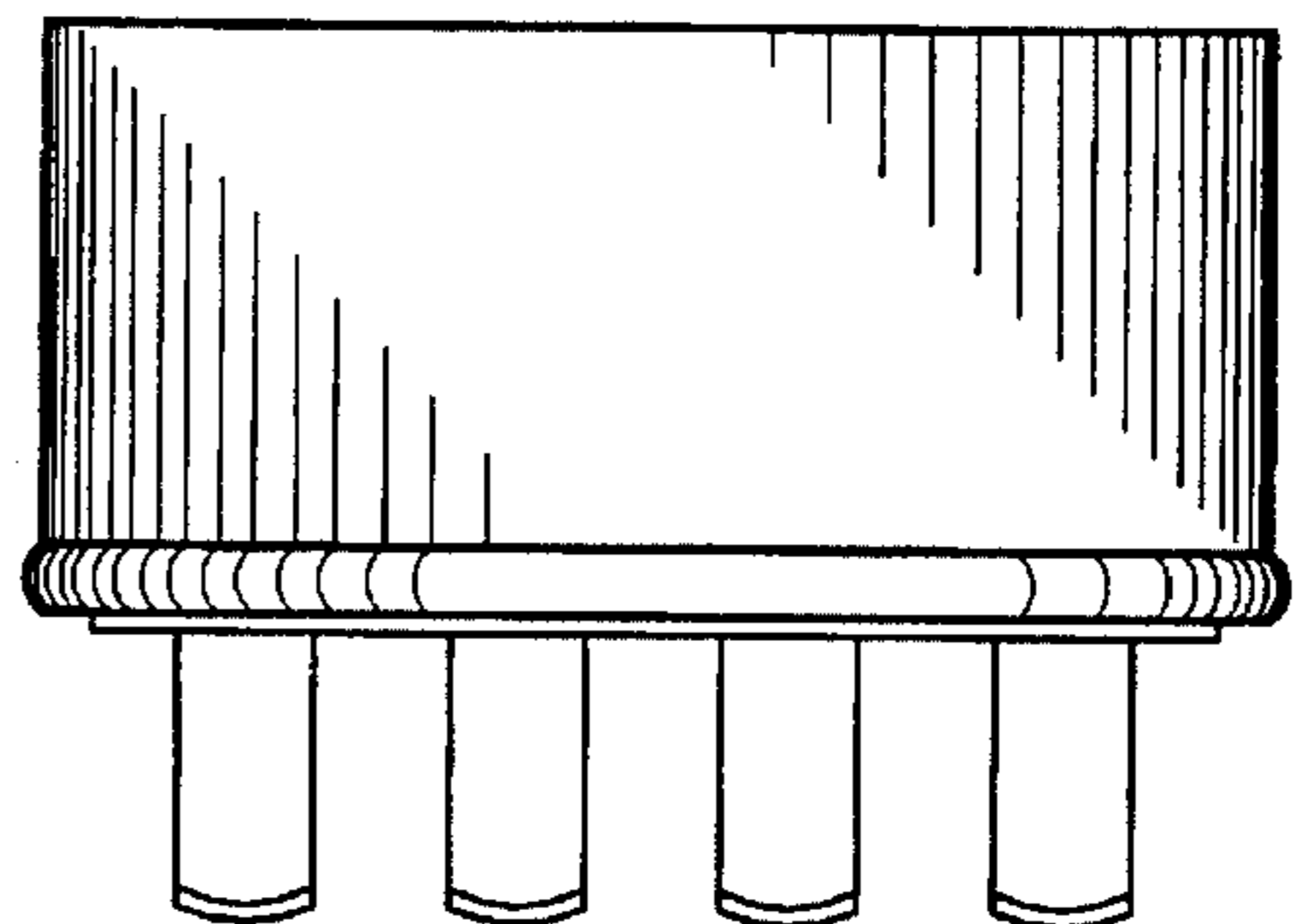


FIG. 6