



US00D377047S

United States Patent [19]

Ishizawa et al.

[11] Patent Number: **Des. 377,047**

[45] Date of Patent: ****Dec. 31, 1996**

[54] **PRINTING HEAD FOR PRINTER**

5,488,401 1/1996 Mochizuki 347/86
5,526,030 6/1996 Baldwin et al. 347/87

[75] Inventors: **Shoichi Ishizawa; Atsushi Nishioka,**
both of Suwa, Japan

FOREIGN PATENT DOCUMENTS

[73] Assignee: **Seiko Epson Corporation,** Japan

4121962 1/1993 Germany 347/86
2122937 5/1990 Japan 347/86

[**] Term: **14 Years**

OTHER PUBLICATIONS

[21] Appl. No.: **44,877**

Hewlett Packard Technical Data Sheet; Oct. 86; Thermal Ink-Jet Print Cartridge; 347-87.

[22] Filed: **Oct. 2, 1995**

Primary Examiner—Cathy Anne MacCormac
Attorney, Agent, or Firm—Oliff & Berridge

[30] **Foreign Application Priority Data**

Apr. 13, 1995 [JP] Japan 7-10249

[52] **U.S. Cl.** **D18/56;** 347/86

[57] **CLAIM**

[58] **Field of Search** D18/56; 347/86-87

The ornamental design for a printing head for printer, as shown and described.

[56] **References Cited**

DESCRIPTION

U.S. PATENT DOCUMENTS

D. 325,218	4/1992	La	D18/56
D. 354,982	1/1995	Akahane et al.	D18/56
4,500,895	2/1985	Buck et al.	347/87
4,530,611	7/1985	Borcenk et al.	347/86
4,990,938	2/1991	Brandon et al.	347/87
5,040,001	8/1991	Dunn et al.	347/86
5,084,713	1/1992	Wong	347/87
5,369,429	11/1994	Erickson	347/86
5,467,117	11/1995	Evans et al.	347/87
5,477,255	12/1995	Hush	347/87

FIG. 1 is a front perspective view of a printing head for printer showing our new design;
FIG. 2 is a front view thereof;
FIG. 3 is a rear view thereof;
FIG. 4 is a top plan view thereof;
FIG. 5 is a right side view thereof;
FIG. 6 is a left side view thereof; and,
FIG. 7 is a bottom view thereof.

1 Claim, 3 Drawing Sheets

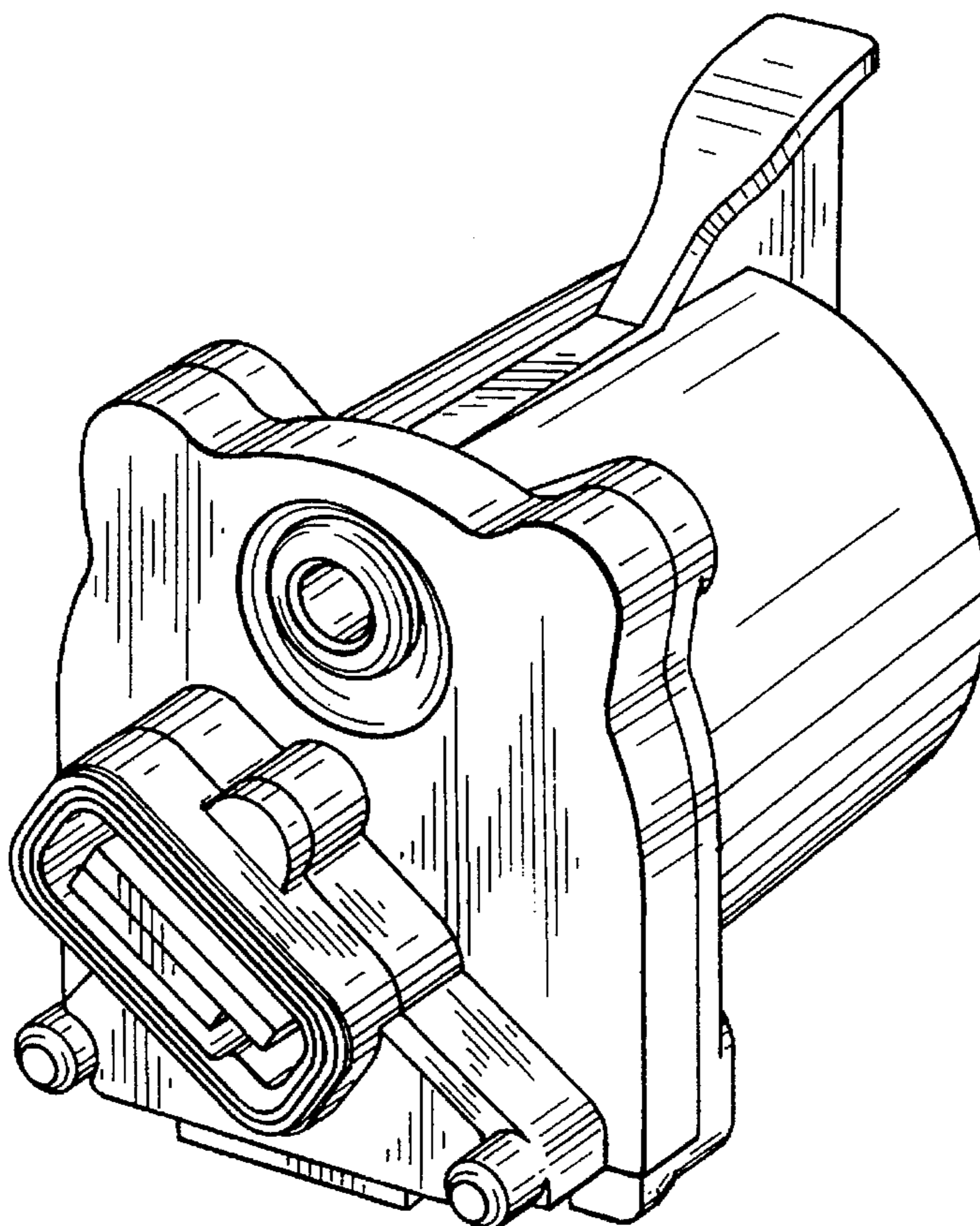


FIG. 1

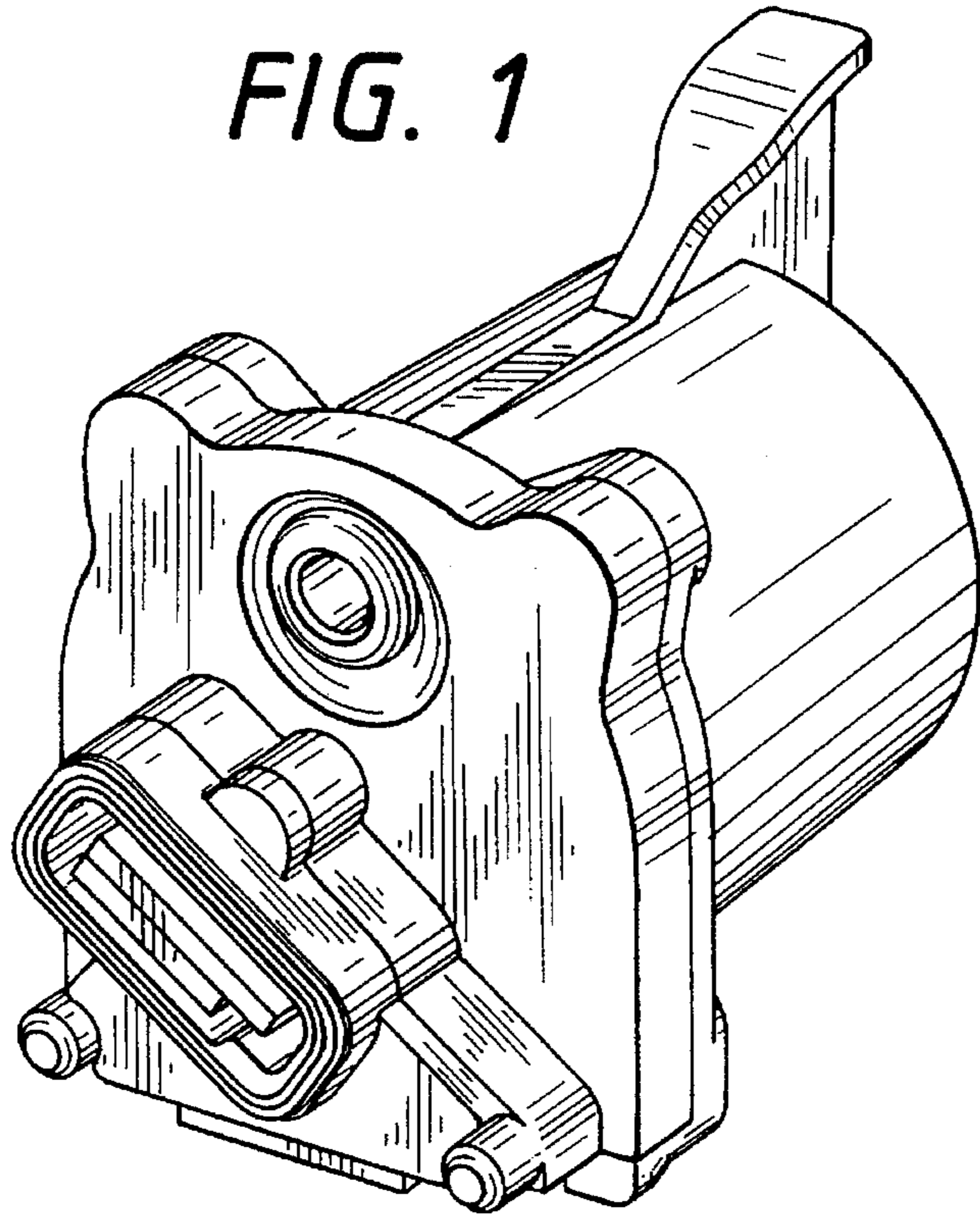


FIG. 2

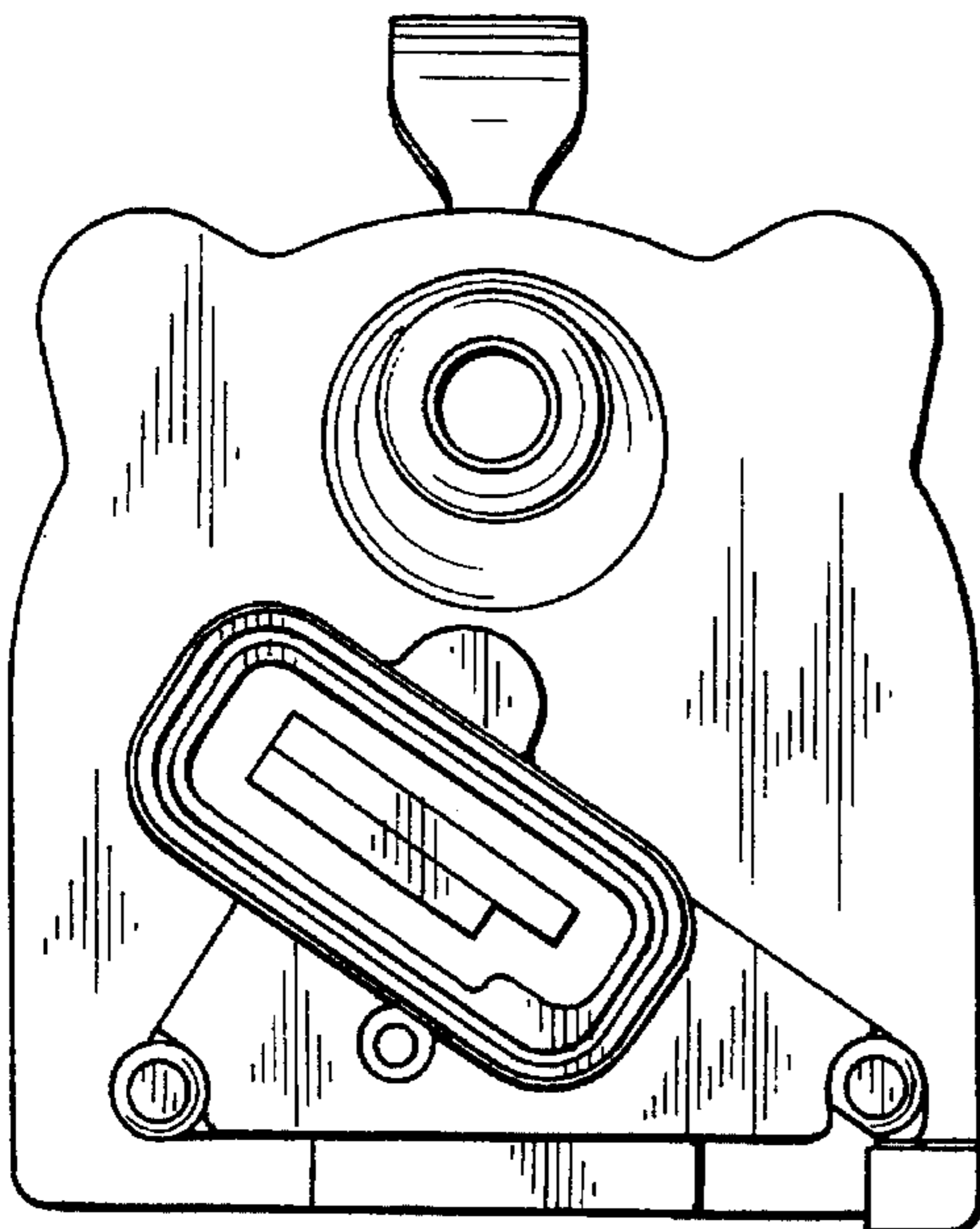


FIG. 3

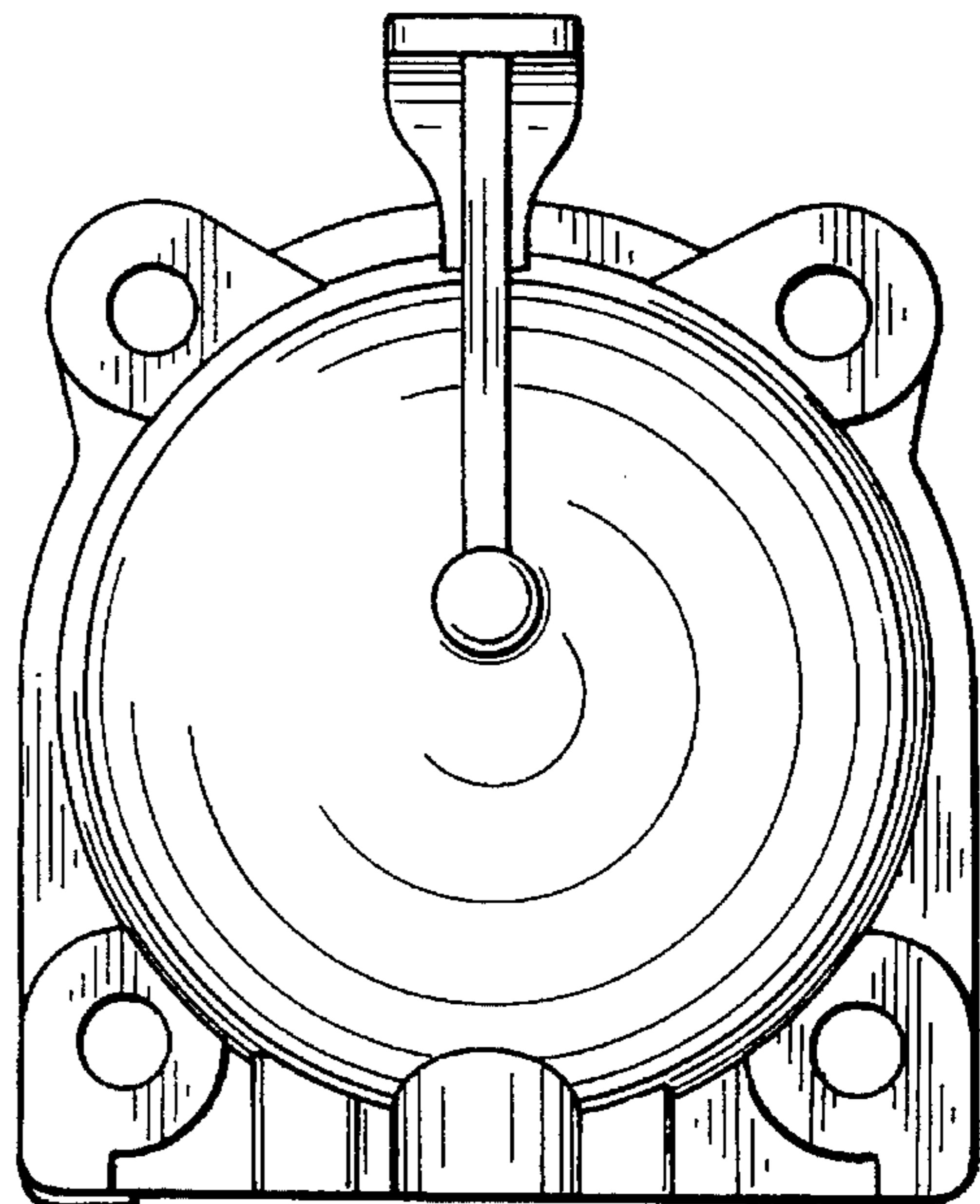


FIG. 4

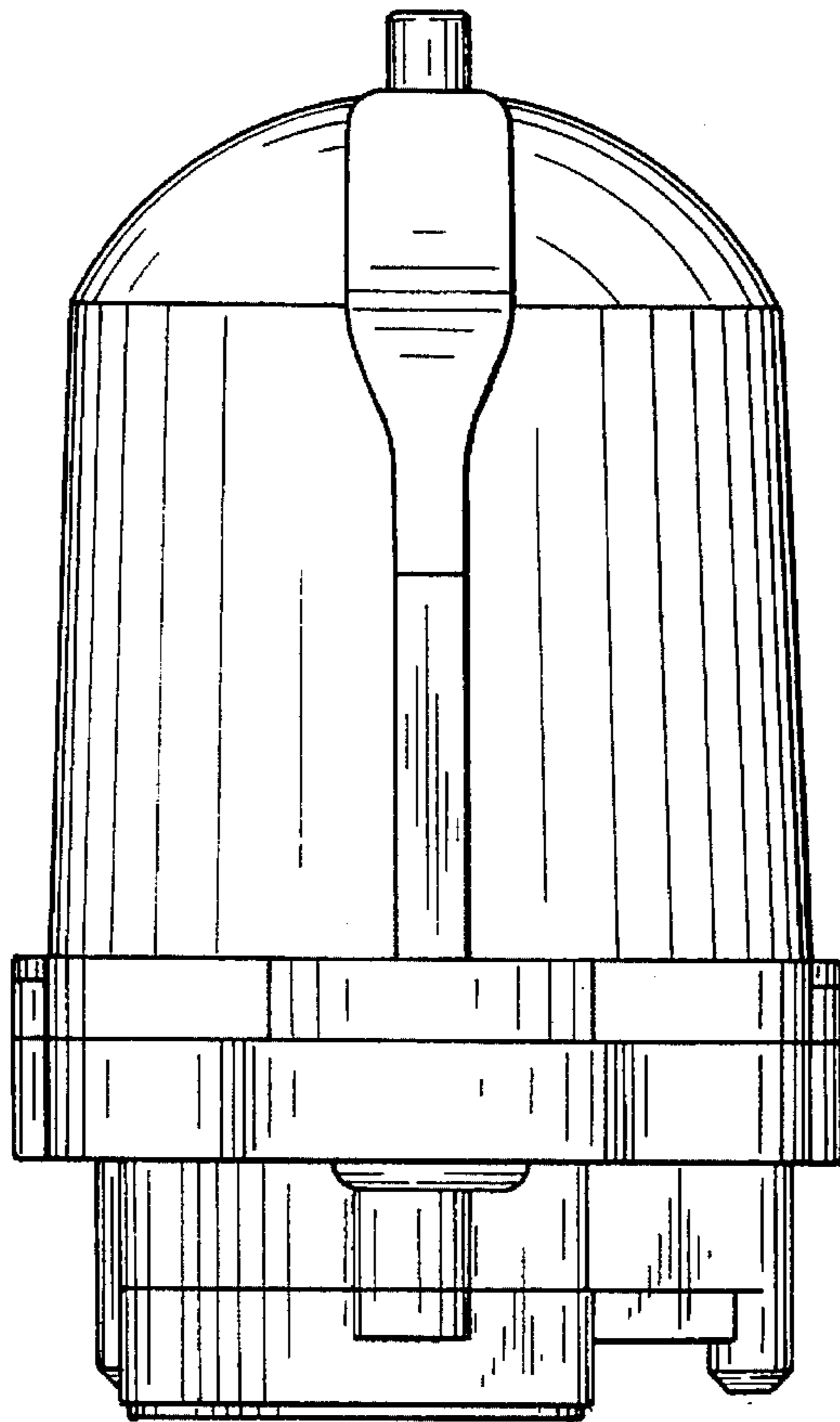


FIG. 5

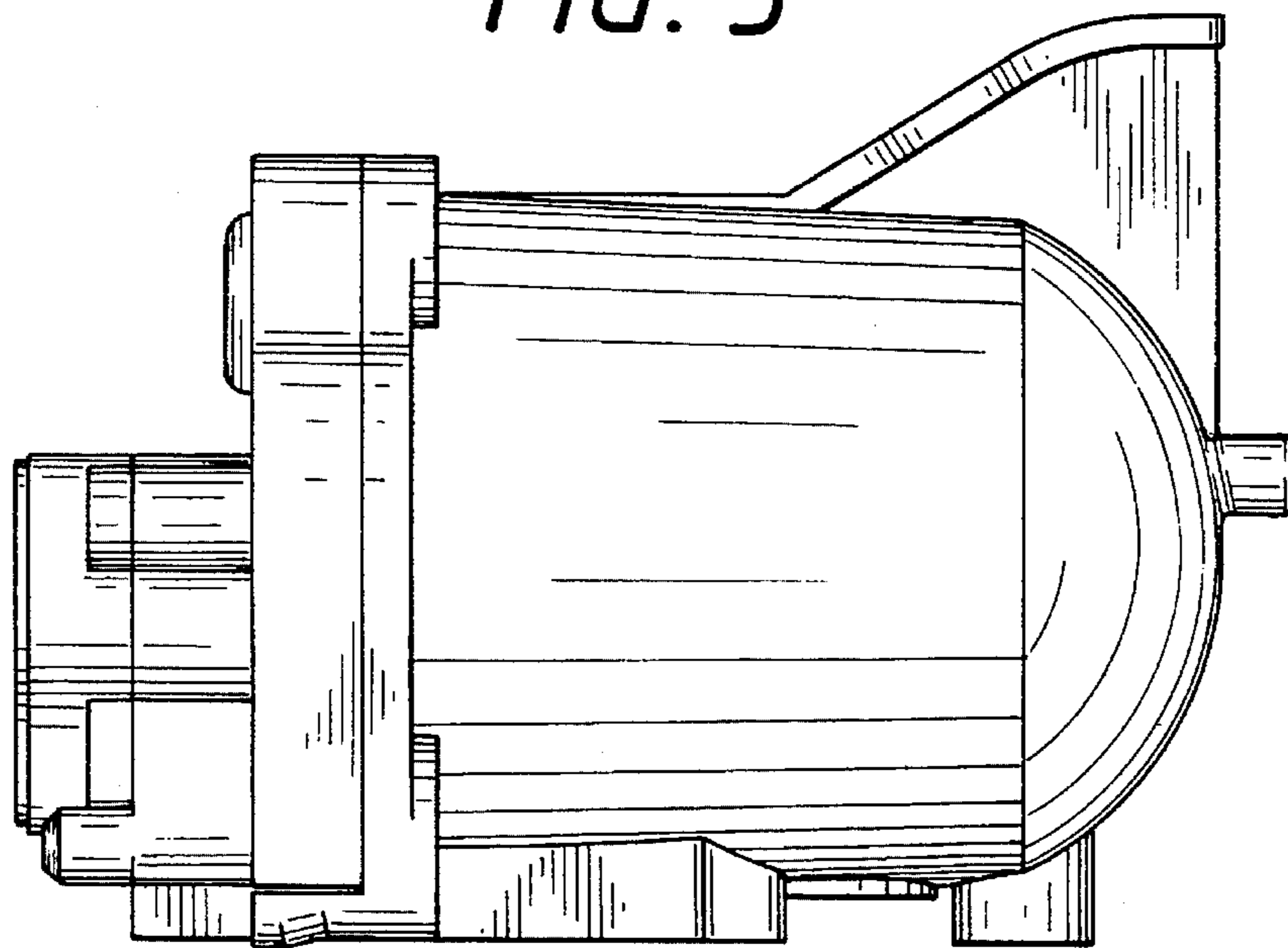


FIG. 6

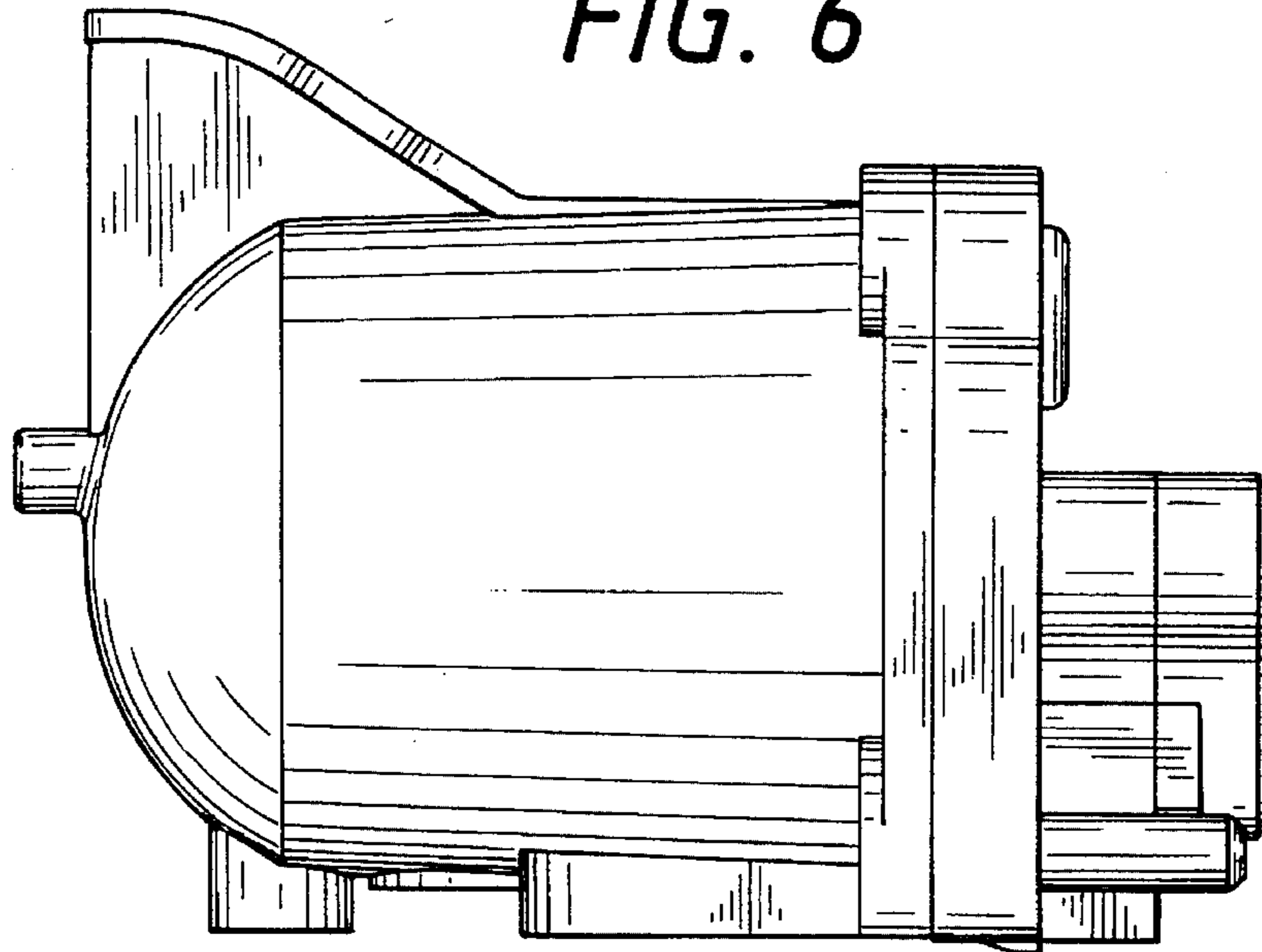


FIG. 7

