



US00D377041S

United States Patent [19] Garneau

[11] Patent Number: **Des. 377,041**

[45] Date of Patent: ****Dec. 31, 1996**

[54] **HINGE END OF EYEGLASS TEMPLE**

[75] Inventor: **Louis Garneau, Québec, Canada**

[73] Assignee: **Louis Garneau Sports Inc., Canada**

[**] Term: **14 Years**

[21] Appl. No.: **53,040**

[22] Filed: **Apr. 12, 1996**

[52] U.S. Cl. **D16/335**

[58] Field of Search D16/101, 300,
D16/304, 306, 309, 311-330, 335, 341,
334; D29/110; D8/323, 325; 351/41, 44,
51-52, 62, 83, 103, 111-121, 158; 2/428,
430, 436-437, 440

4,904,075 2/1990 Blumenthal 351/114
 5,059,017 10/1991 Bennato 351/121
 5,386,254 1/1995 Kahaney 351/158
 5,408,279 4/1995 Chiou 351/121

Primary Examiner—Raphael Barkai
Attorney, Agent, or Firm—Laurence R. Brown

[57] **CLAIM**

The ornamental design for a hinge end of eyeglass temple, as shown and described.

DESCRIPTION

FIG. 1 is an exterior side perspective view of the hinge end of eyeglass temple showing my new design, the broken line showing of the continuation of the eyeglass temple is for illustrative purposes only and forms no part of the claimed design;

FIG. 2 is a bottom view;

FIG. 3 is a top view;

FIG. 4 is an exterior side view;

FIG. 5 is an interior side view;

FIG. 6 is a left end view as seen in FIG. 1; and,

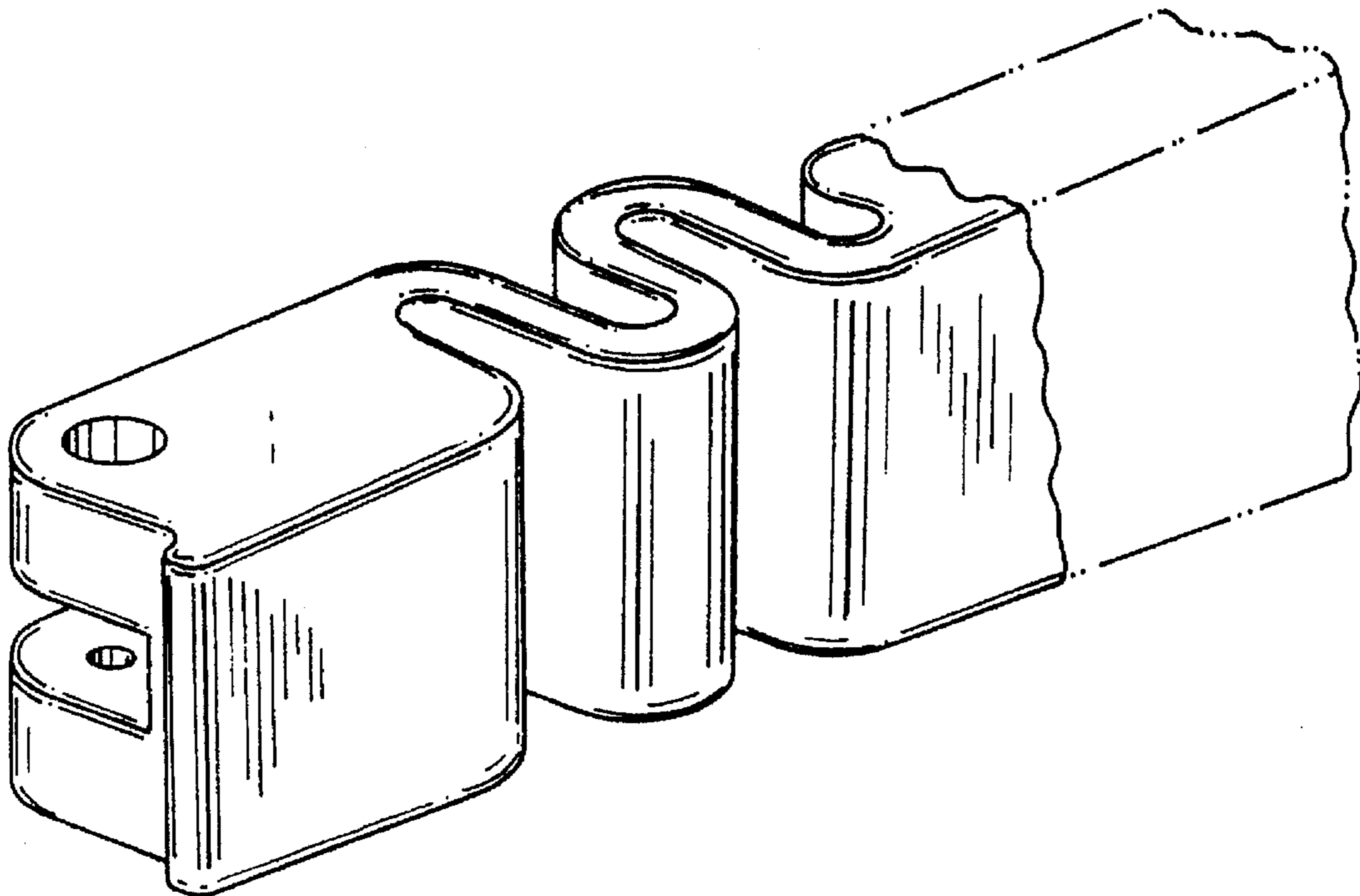
FIG. 7 is a right end view as seen in FIG. 1.

[56] **References Cited**

U.S. PATENT DOCUMENTS

D. 349,508	8/1994	Conway	D16/335
1,017,702	2/1912	Swartwout	351/114
3,052,162	9/1962	Ratti	351/114
4,354,744	10/1982	Bononi	351/121
4,826,309	5/1989	Vanneste	351/114
4,898,460	2/1990	Magninat et al.	351/114

1 Claim, 1 Drawing Sheet



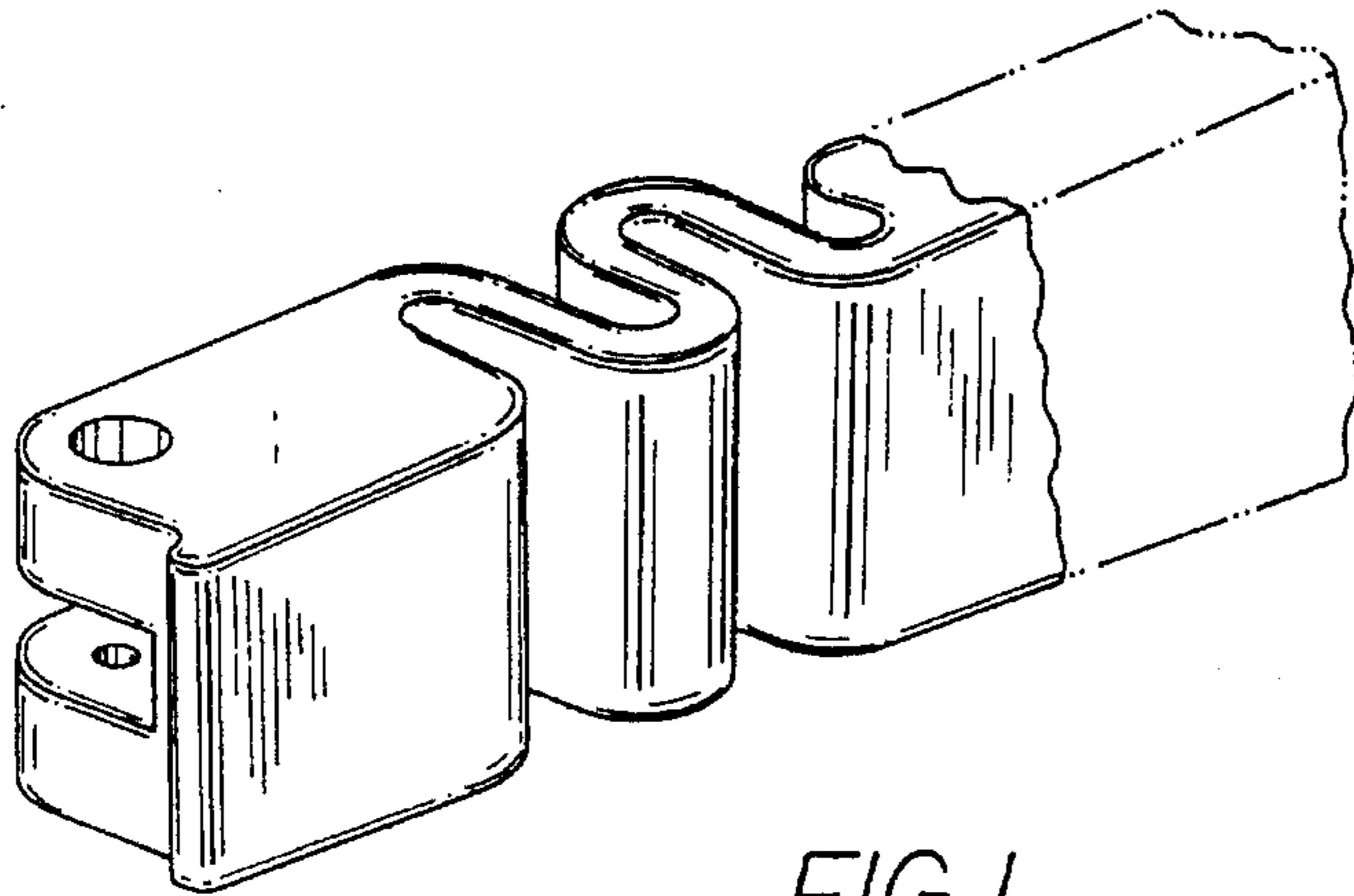


FIG. 1

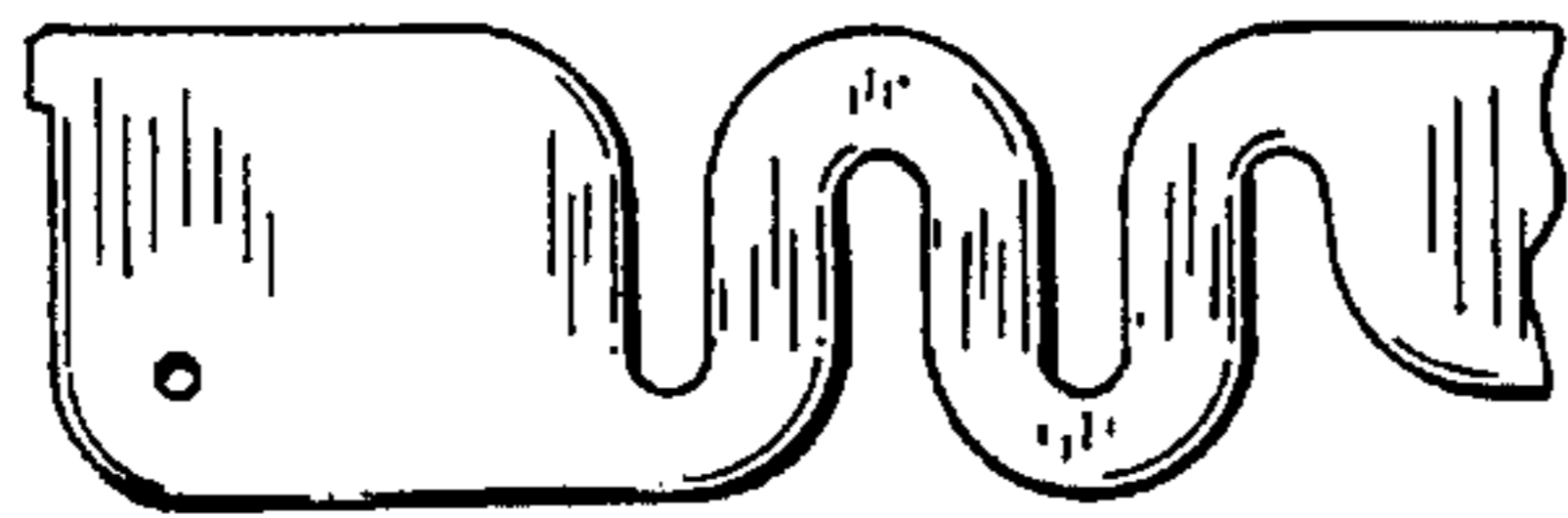


FIG. 2

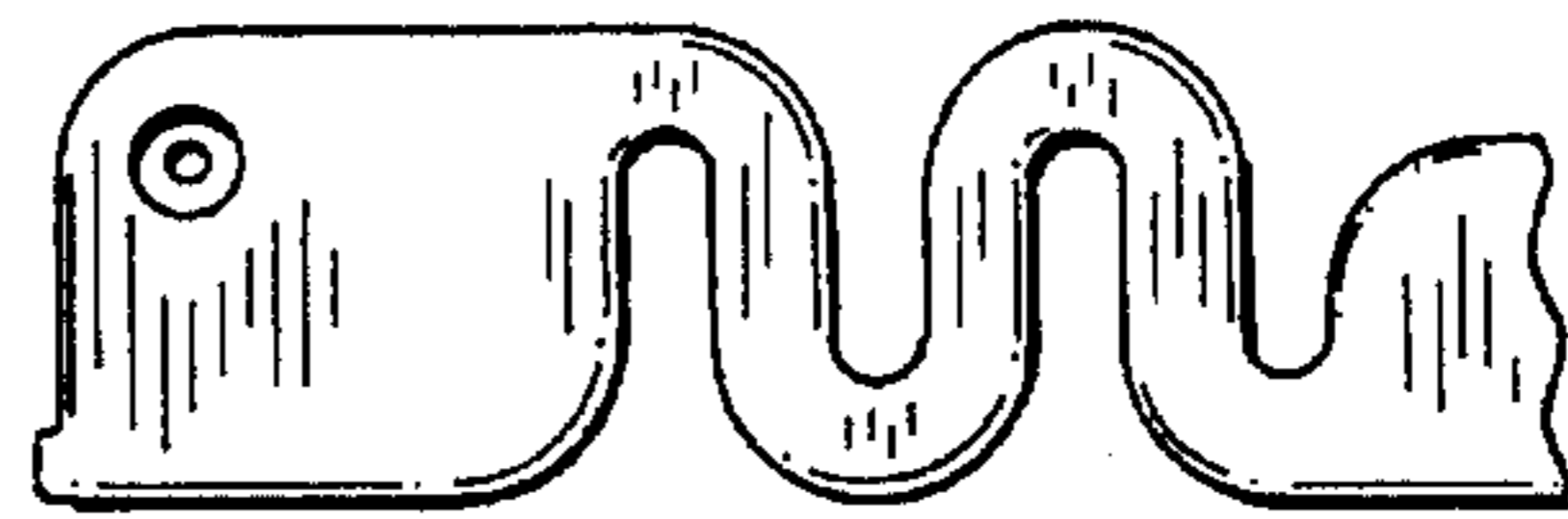


FIG. 3

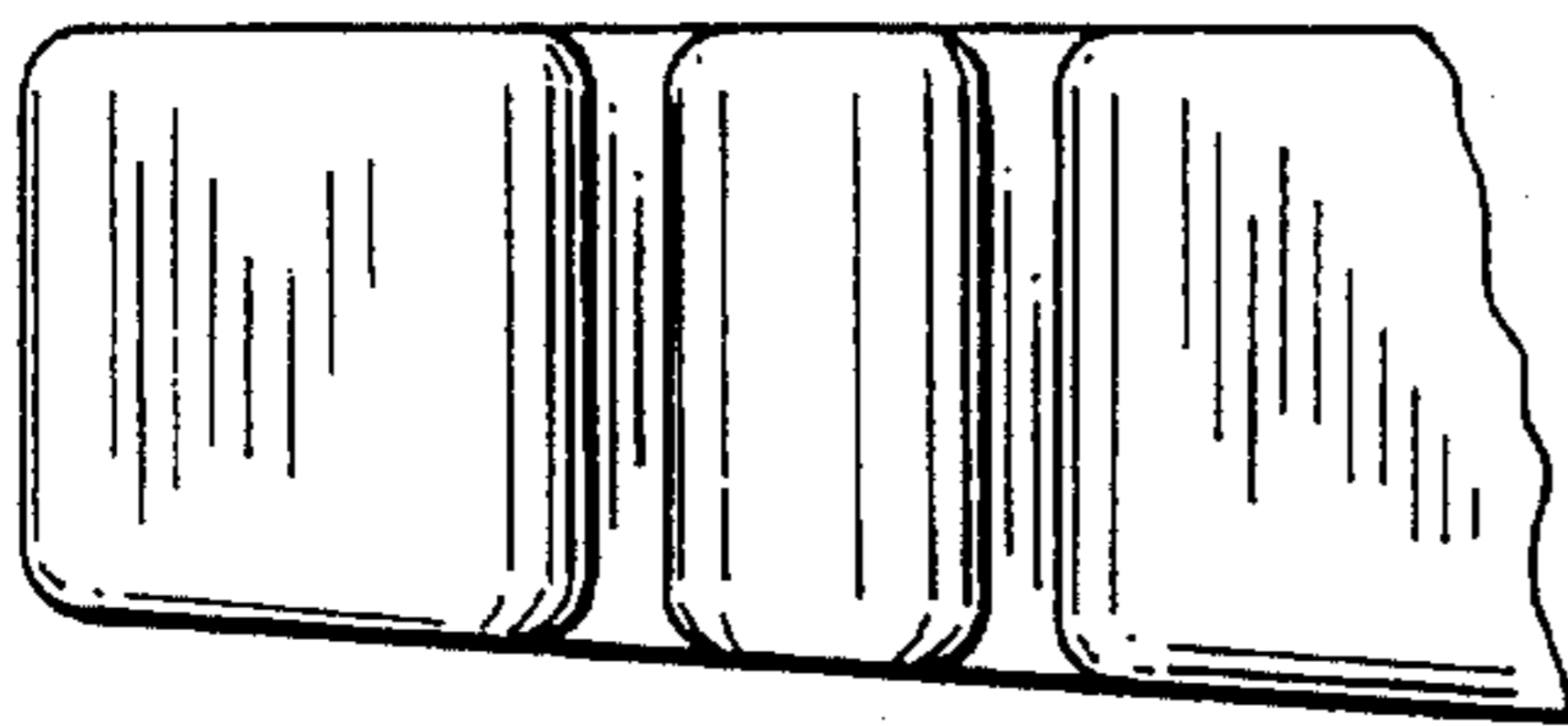


FIG. 4

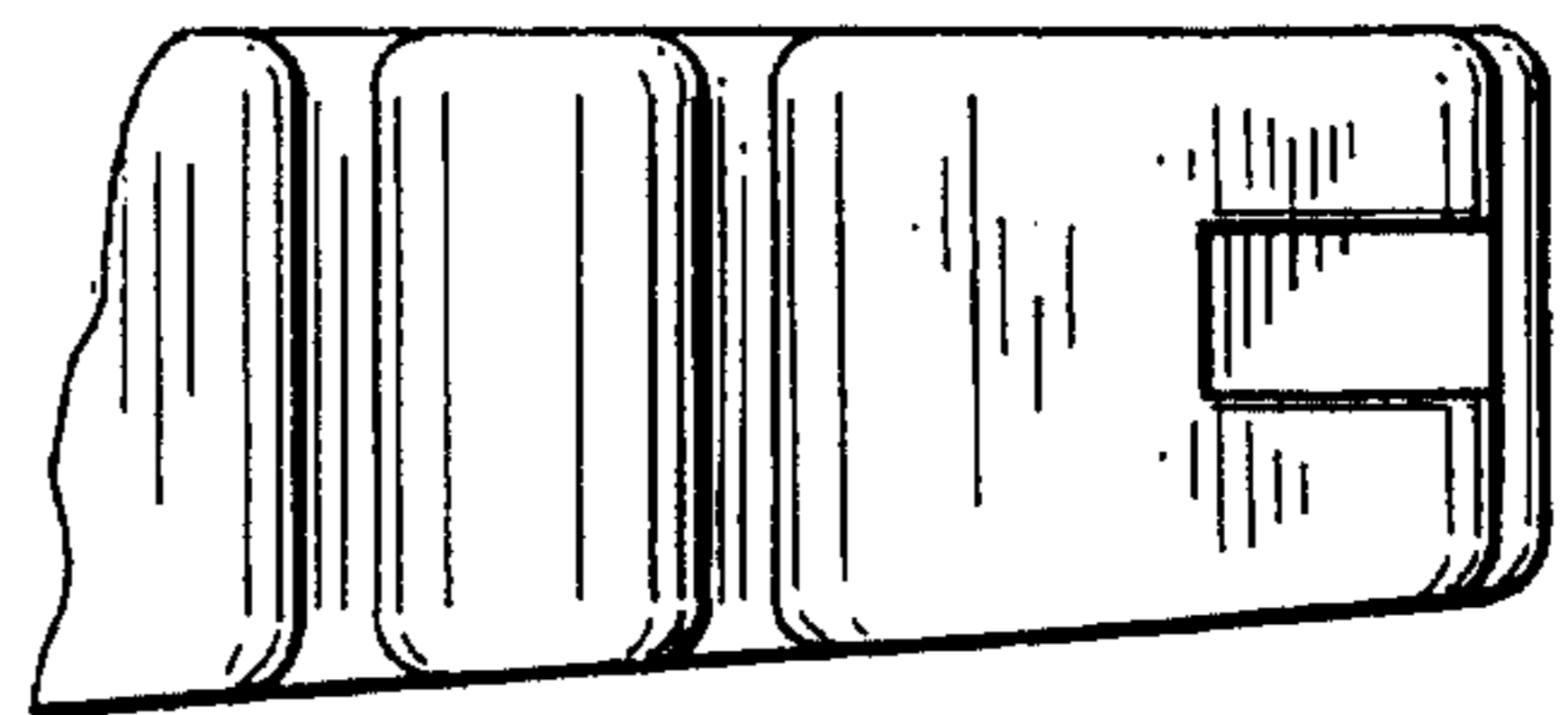


FIG. 5

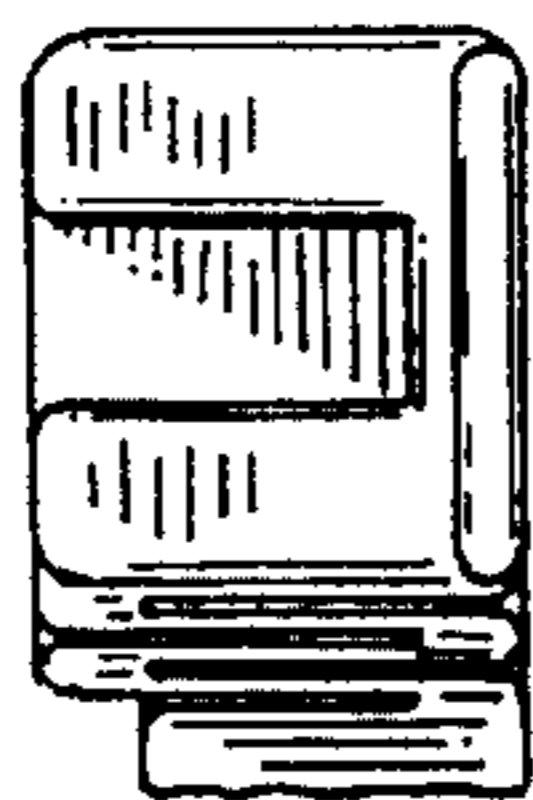


FIG. 6



FIG. 7