



US00D377036S

United States Patent [19] Leonardi

[11] Patent Number: **Des. 377,036**

[45] Date of Patent: ****Dec. 31, 1996**

[54] **SPORTS EYEWEAR**

[75] Inventor: **Peter F. Leonardi**, Gloversville, N.Y.

[73] Assignee: **Halo Sports and Safety, Inc.**,
Gloversville, N.Y.

[**] Term: **14 Years**

[21] Appl. No.: **49,504**

[22] Filed: **Jan. 26, 1996**

[52] U.S. Cl. **D16/304; D16/313; D16/314**

[58] Field of Search **D16/300, 101,
D16/303, 304, 309-317, 323, 325-329,
330, 340, 900; 351/41, 44, 47-48, 51-52,
57-59, 155, 158; 2/432, 447, 454, 452;
D29/103-104, 109-110**

[56] **References Cited**

U.S. PATENT DOCUMENTS

D. 220,290	3/1971	Bloch	D16/325
D. 238,303	12/1975	LeBlanc	D16/304
D. 283,513	4/1986	Spero	D16/304
D. 310,839	9/1990	Bolle	D16/313
D. 335,135	4/1993	Bolle	D16/313
D. 337,595	7/1993	Reymondet et al.	D16/313
D. 342,535	12/1993	Duffie	D16/315
2,582,554	1/1952	Mendelsohn	351/59
4,317,240	3/1982	Angerman et al.	2/452
4,322,138	3/1982	Minart	351/155

Primary Examiner—Raphael Barkai
Attorney, Agent, or Firm—Roylance, Abrams, Berdo &
Goodman, L.L.P.

[57] **CLAIM**

The ornamental design for sports eyewear, as shown and described.

DESCRIPTION

FIG. 1 is a front perspective view illustrating the sports eyewear in accordance with my new design;
 FIG. 2 is a front elevational view of the sports eyewear shown in FIG. 1;
 FIG. 3 is a right side elevational view of the sports eyewear shown in FIGS. 1 and 2;
 FIG. 4 is a left side elevational view of the sports eyewear shown in FIGS. 1-3;
 FIG. 5 is a rear perspective view illustrating the sports eyewear shown in FIGS. 1-4;
 FIG. 6 is a rear elevational view of the sports eyewear as shown in FIGS. 1-5;
 FIG. 7 is a top plan view of the sports eyewear shown in FIGS. 1-6;
 FIG. 8 is a bottom plan view of the sports eyewear as shown in FIGS. 1-7; and,
 FIG. 9 is a front perspective view illustrating the sports eyewear shown in FIGS. 1-8, with the visor pivoted upwardly to a non-use position.

1 Claim, 4 Drawing Sheets

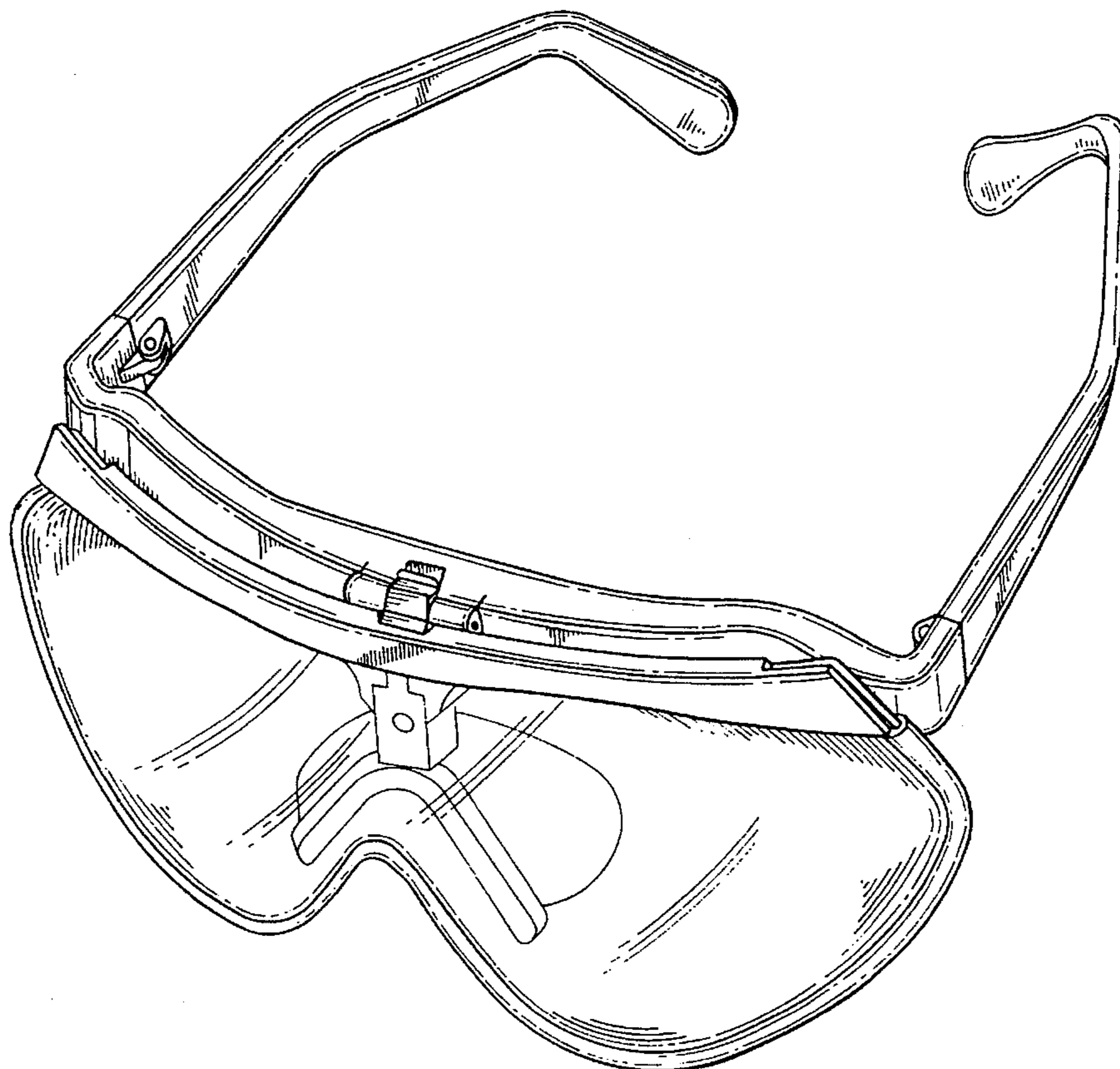


FIG. 1

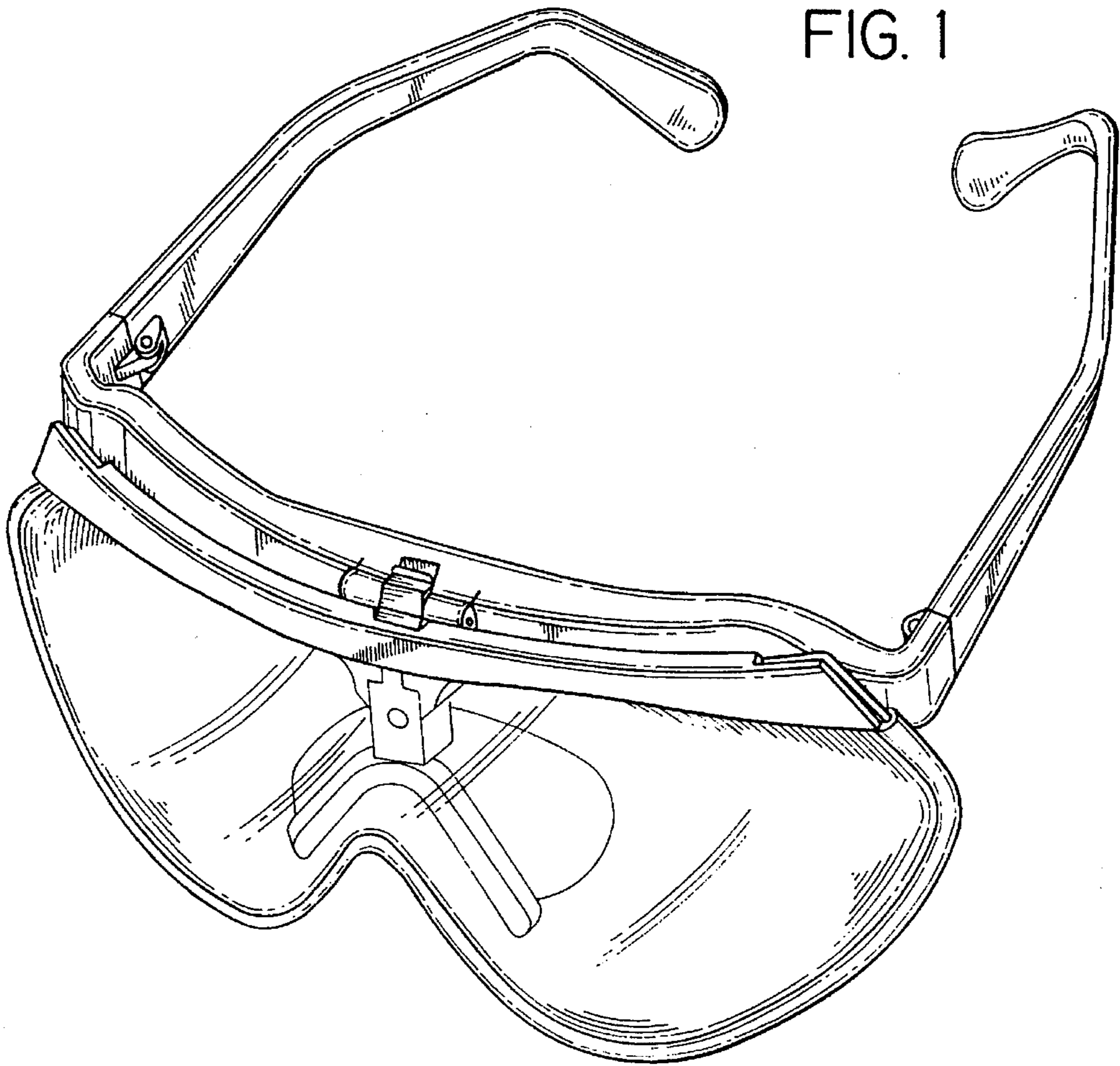
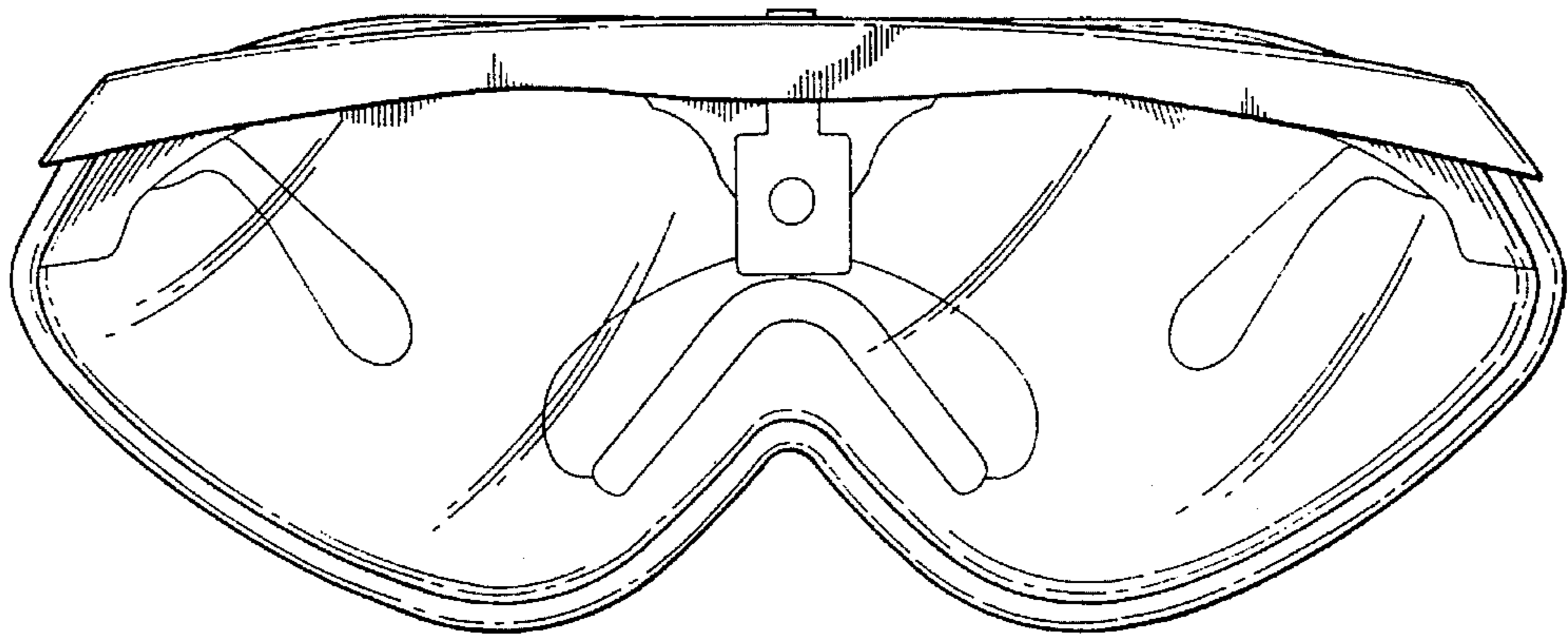
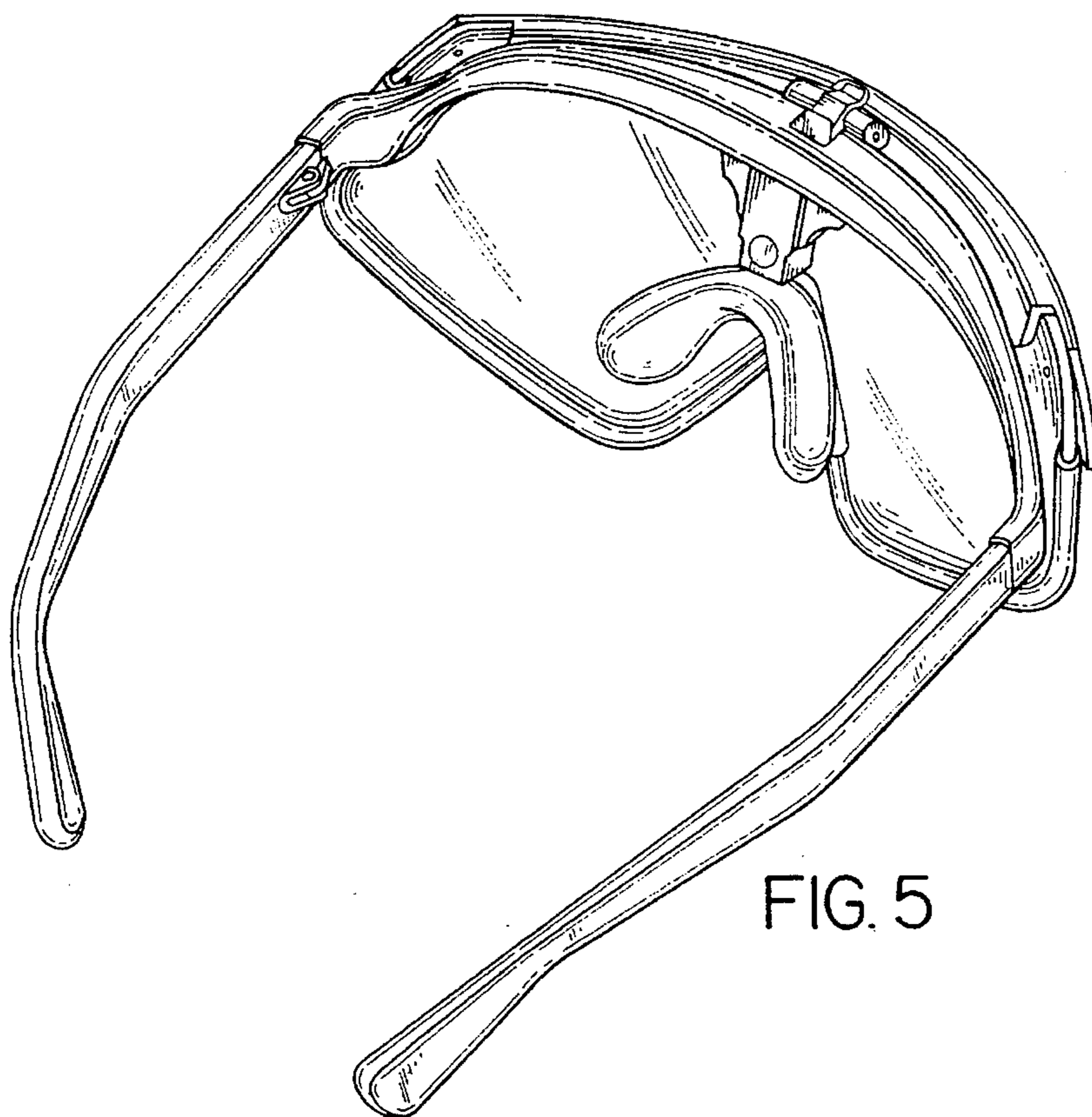
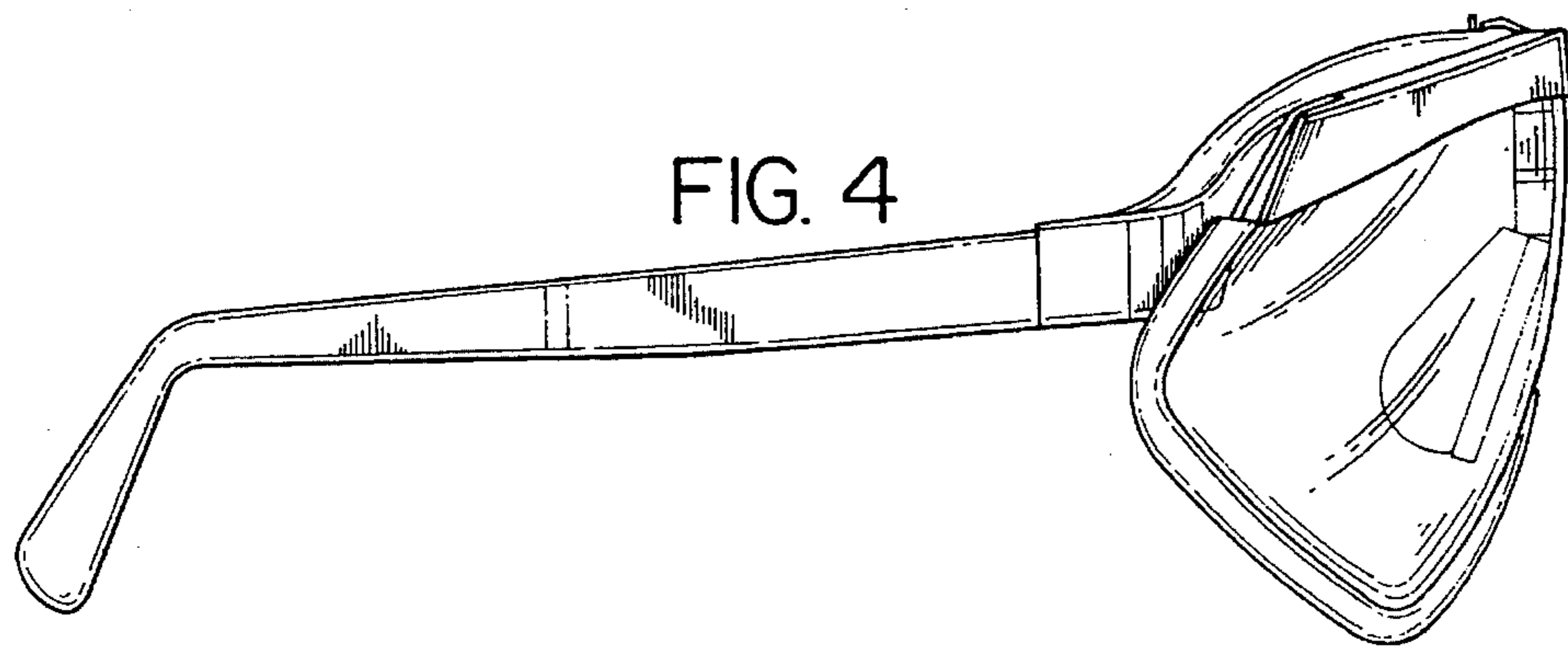
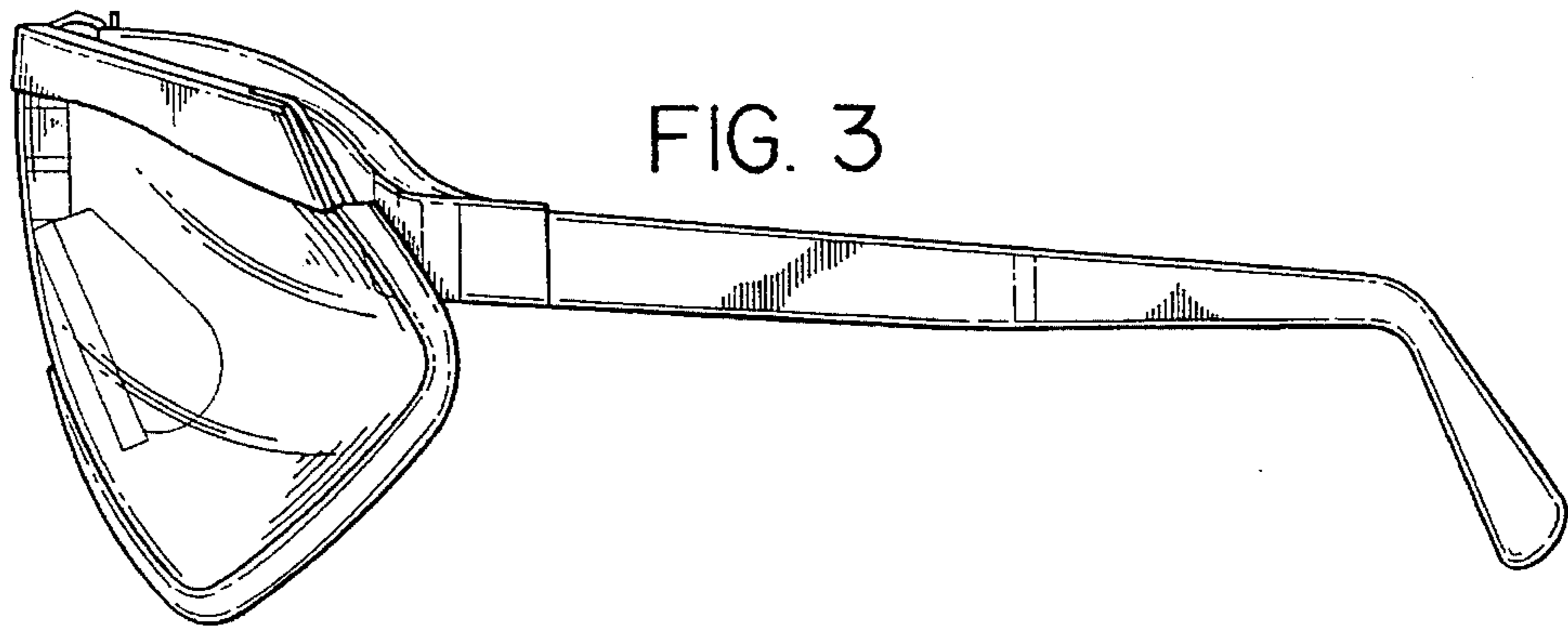


FIG. 2





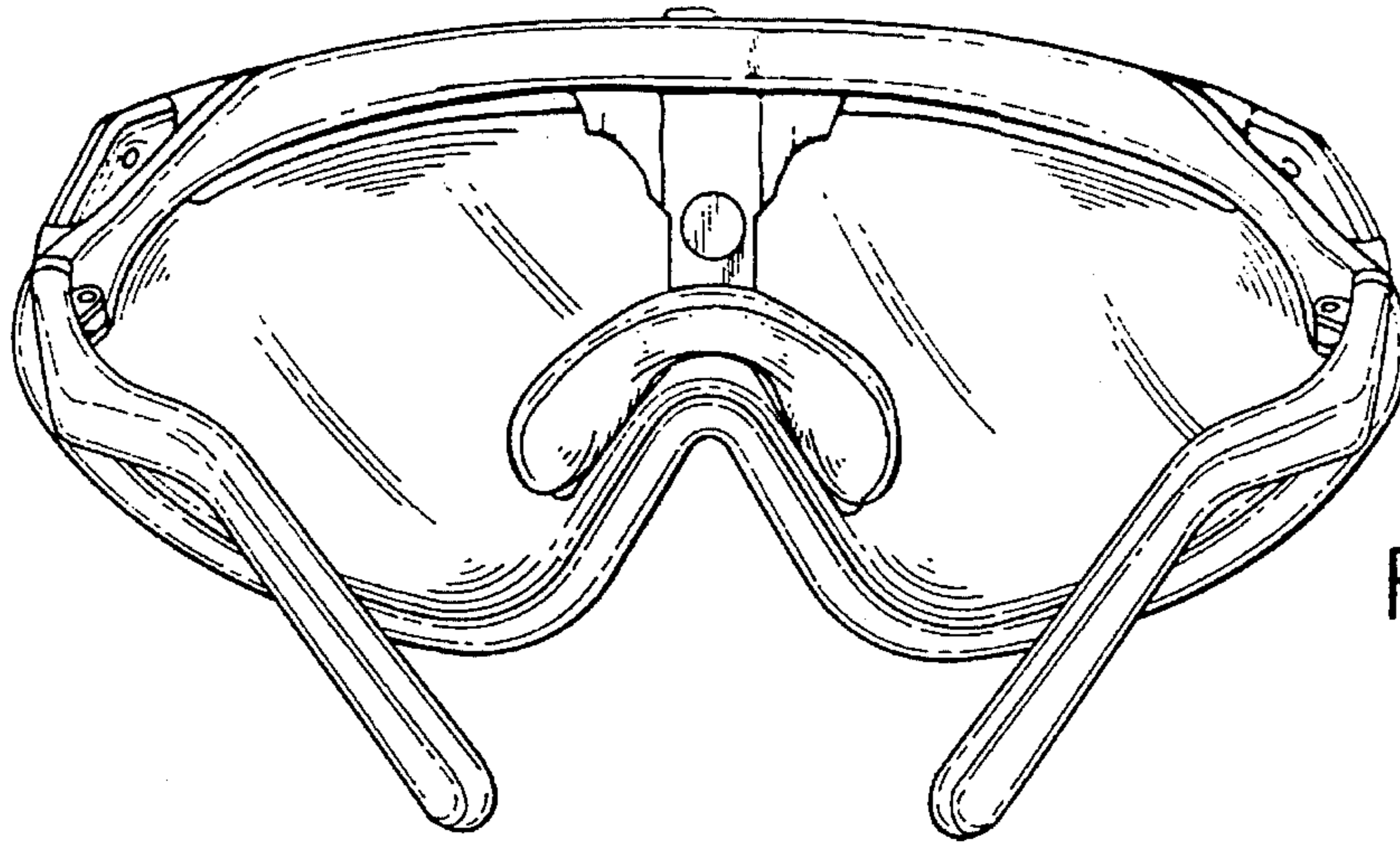


FIG. 6

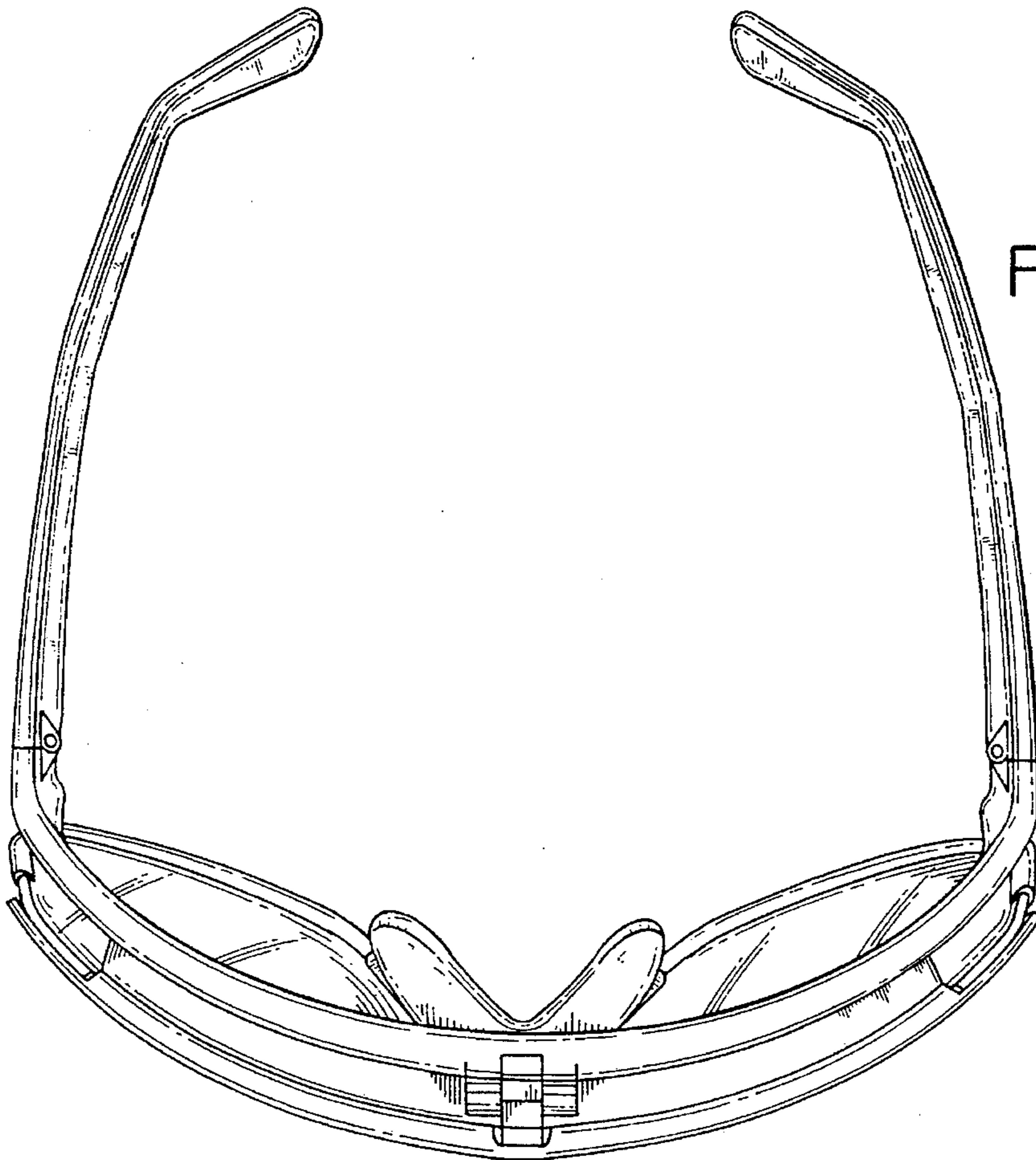


FIG. 7

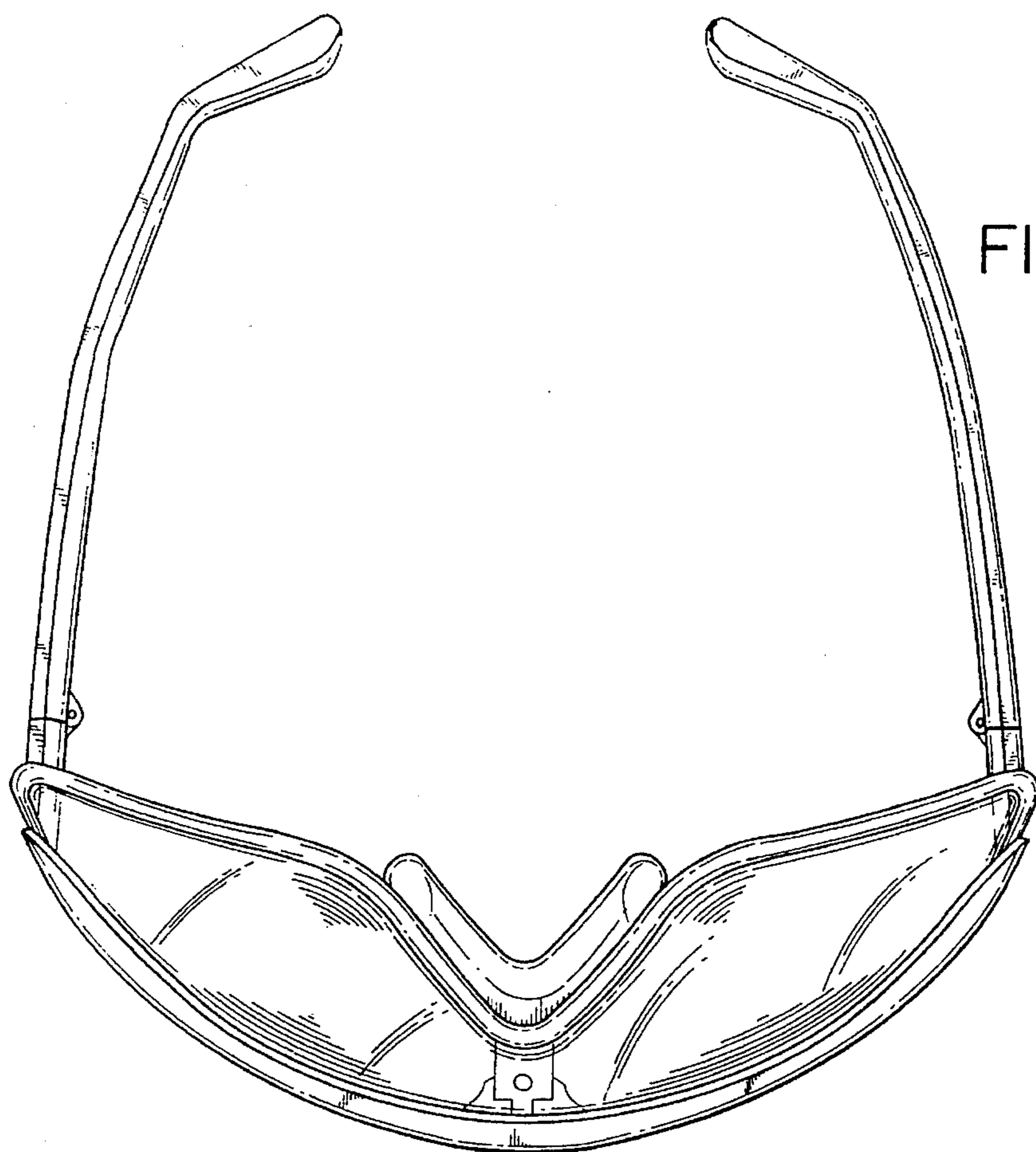


FIG. 8

FIG. 9

