



US00D377033S

United States Patent [19]

Kubota et al.

[11] Patent Number: **Des. 377,033**

[45] Date of Patent: ****Dec. 31, 1996**

[54] TV CAMERA

[75] Inventors: **Mineo Kubota**, Kofu; **Masayoshi Satou**, Yamanashi-ken, both of Japan

[73] Assignee: **Nisca Corporation**, Yamanashi-ken, Japan

[**] Term: **14 Years**

[21] Appl. No.: **48,044**

[22] Filed: **Dec. 19, 1995**

[52] U.S. Cl. **D16/202; D16/203**

[58] Field of Search D16/200-205, D16/208; 348/143, 373-376, 11-17; 352/242, 243; 354/82, 288; 358/906; 379/53

[56] **References Cited**

U.S. PATENT DOCUMENTS

D. 226,453	3/1973	Bundy	D16/203
D. 262,117	12/1981	Sasaki	D16/203
D. 364,632	11/1995	Nakashima et al.	D16/202
5,374,952	12/1994	Flohr	348/12

OTHER PUBLICATIONS

Picture Tel Live, Mar. 10, 1995.

Primary Examiner—Philip S. Hyder
Assistant Examiner—Adir Aronovich
Attorney, Agent, or Firm—Kanesaka & Takeuchi

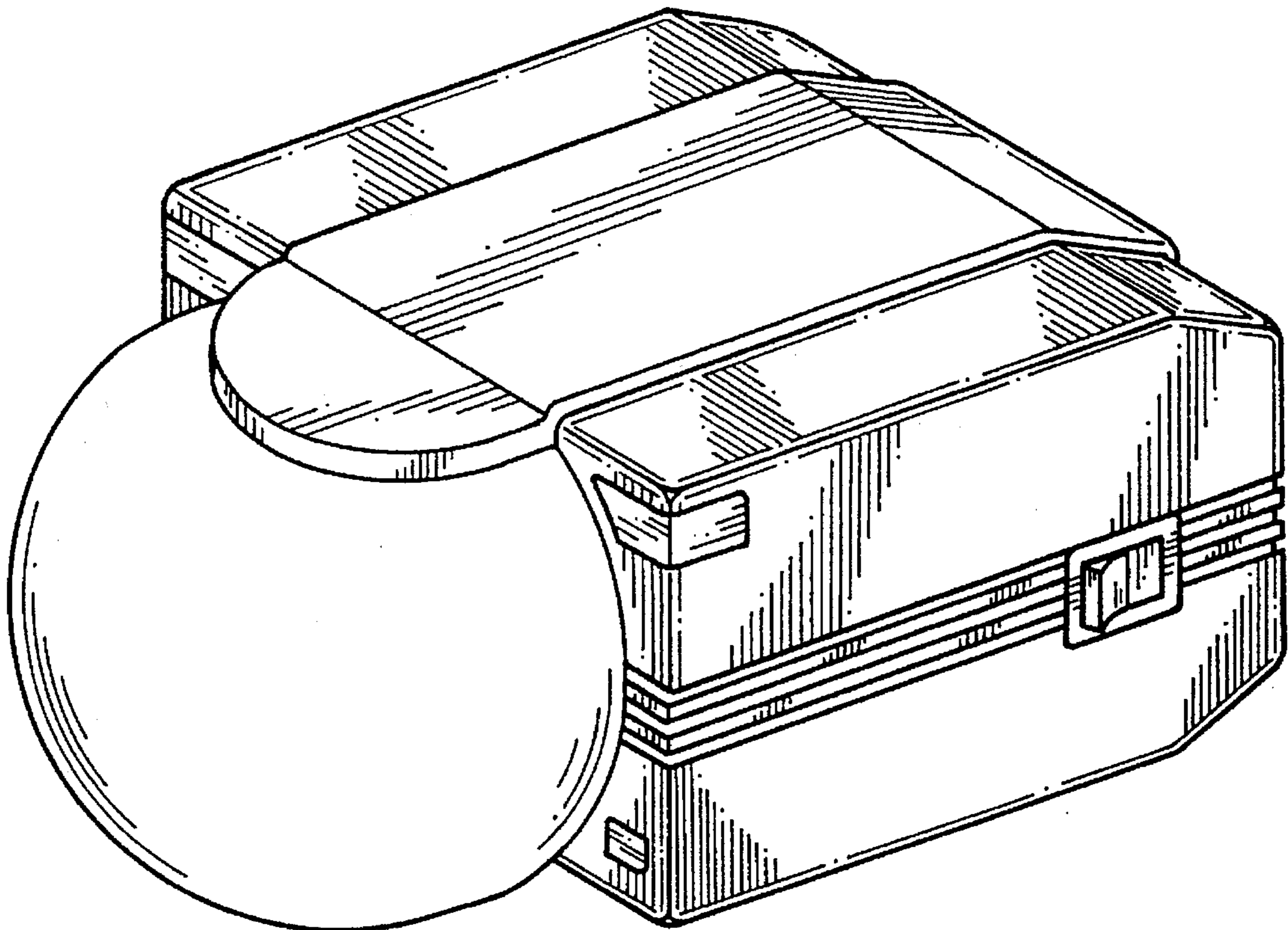
[57] **CLAIM**

The ornamental design for a TV camera, as shown and described.

DESCRIPTION

FIG. 1 is a perspective view of a TV camera showing our new design;
FIG. 2 is a right side view thereof;
FIG. 3 is a left side view thereof;
FIG. 4 is a front view thereof;
FIG. 5 is a rear view thereof;
FIG. 6 is a top plan view thereof; and,
FIG. 7 is a bottom plan view thereof.

1 Claim, 4 Drawing Sheets



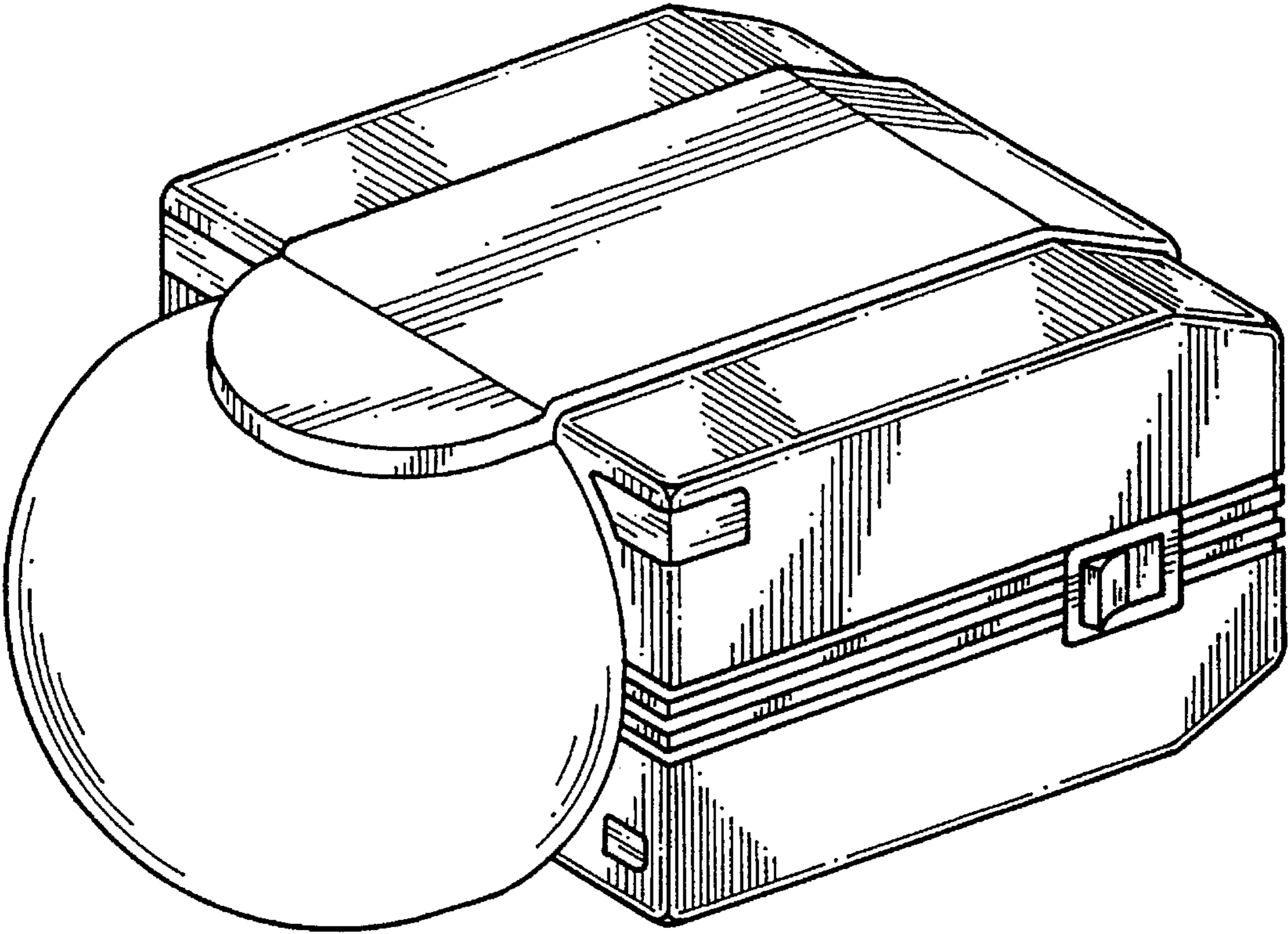


FIG. 1

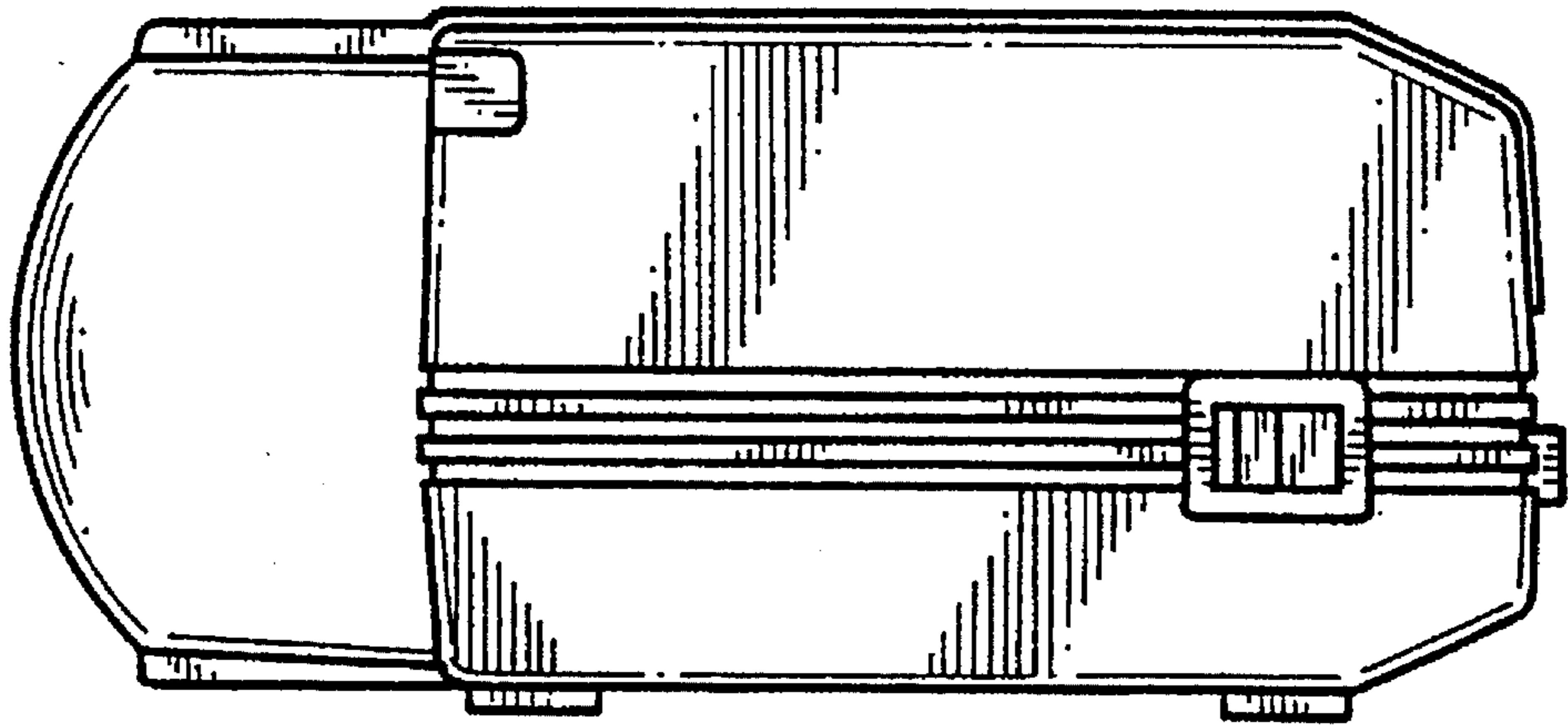


FIG. 2

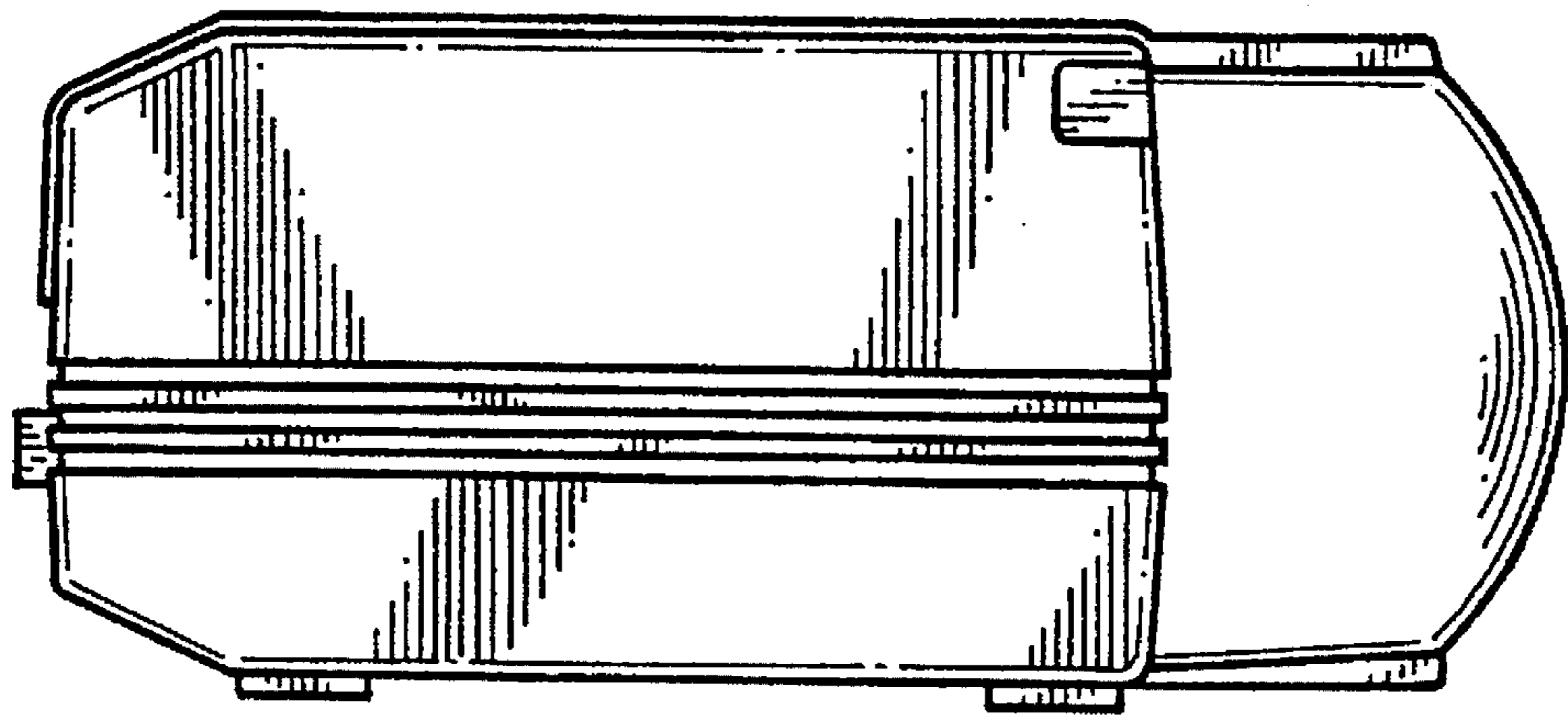


FIG. 3

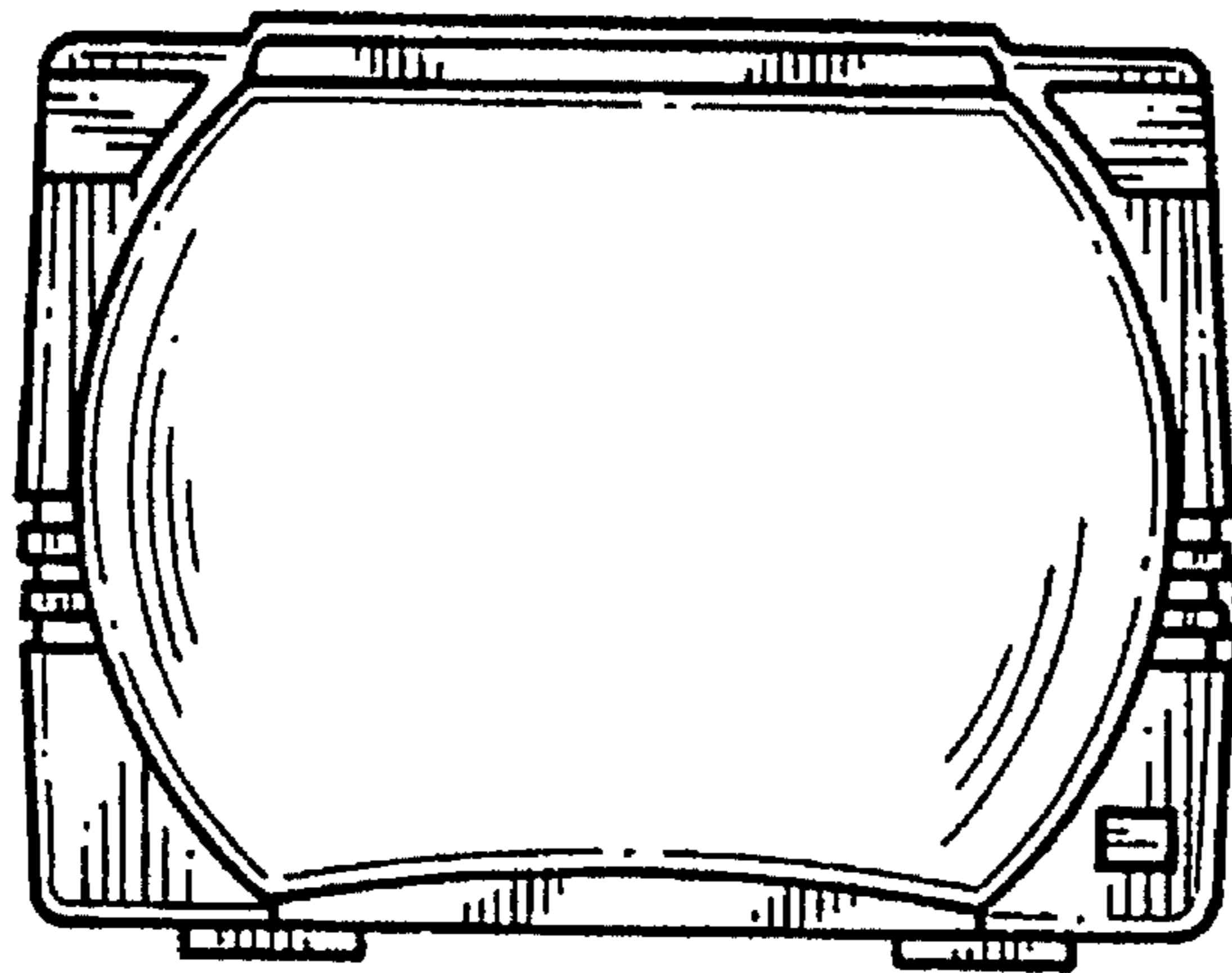


FIG. 4

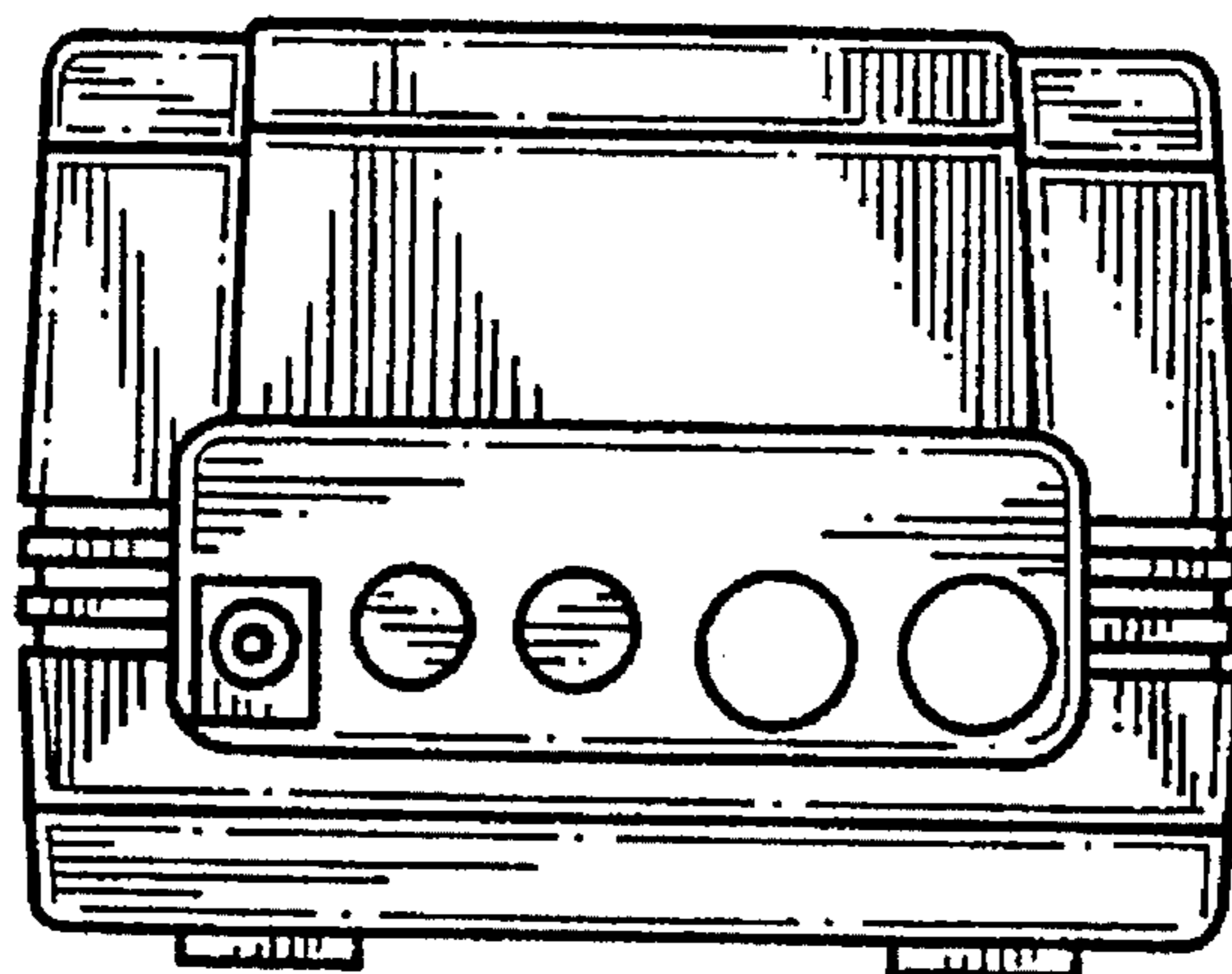


FIG. 5

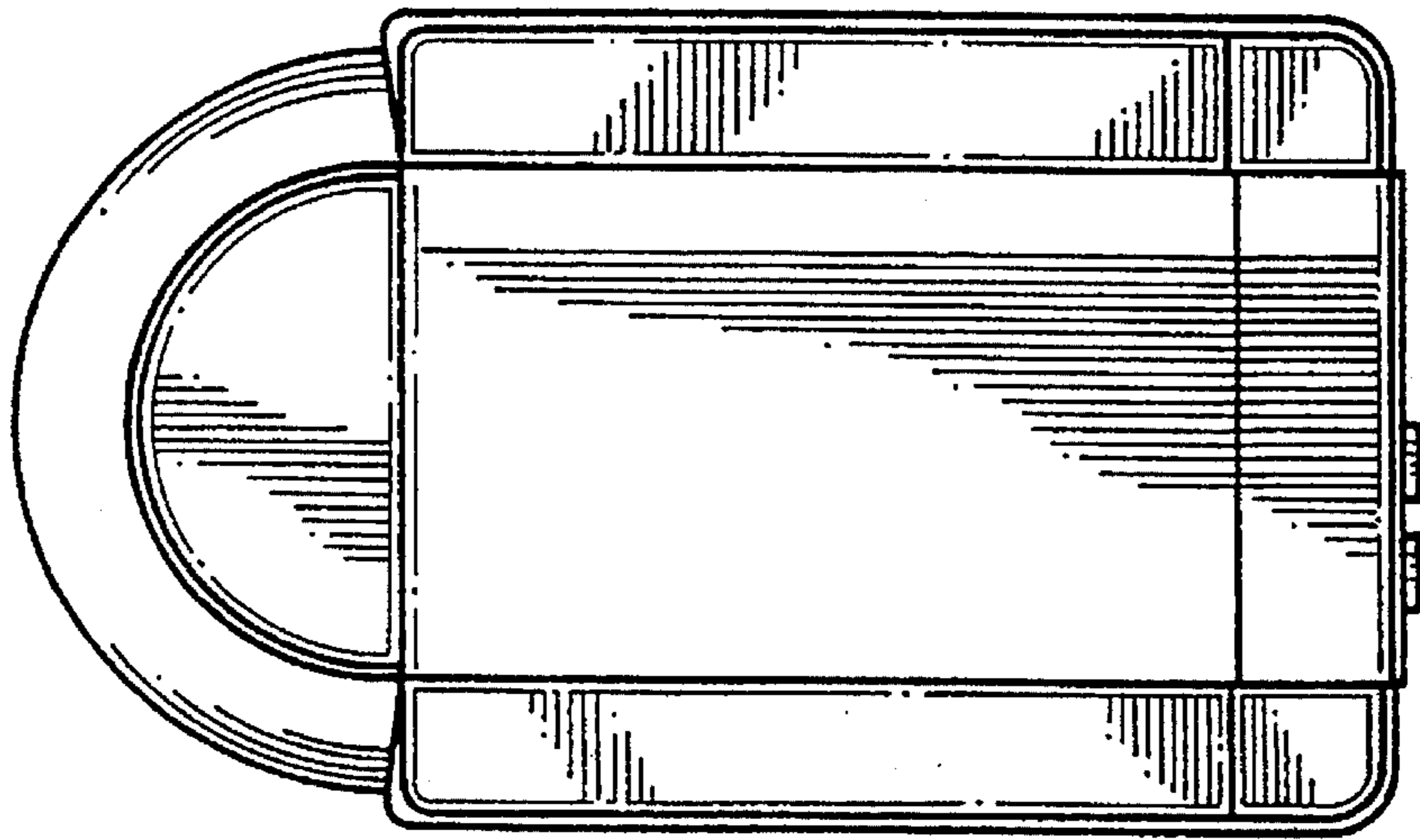


FIG. 6

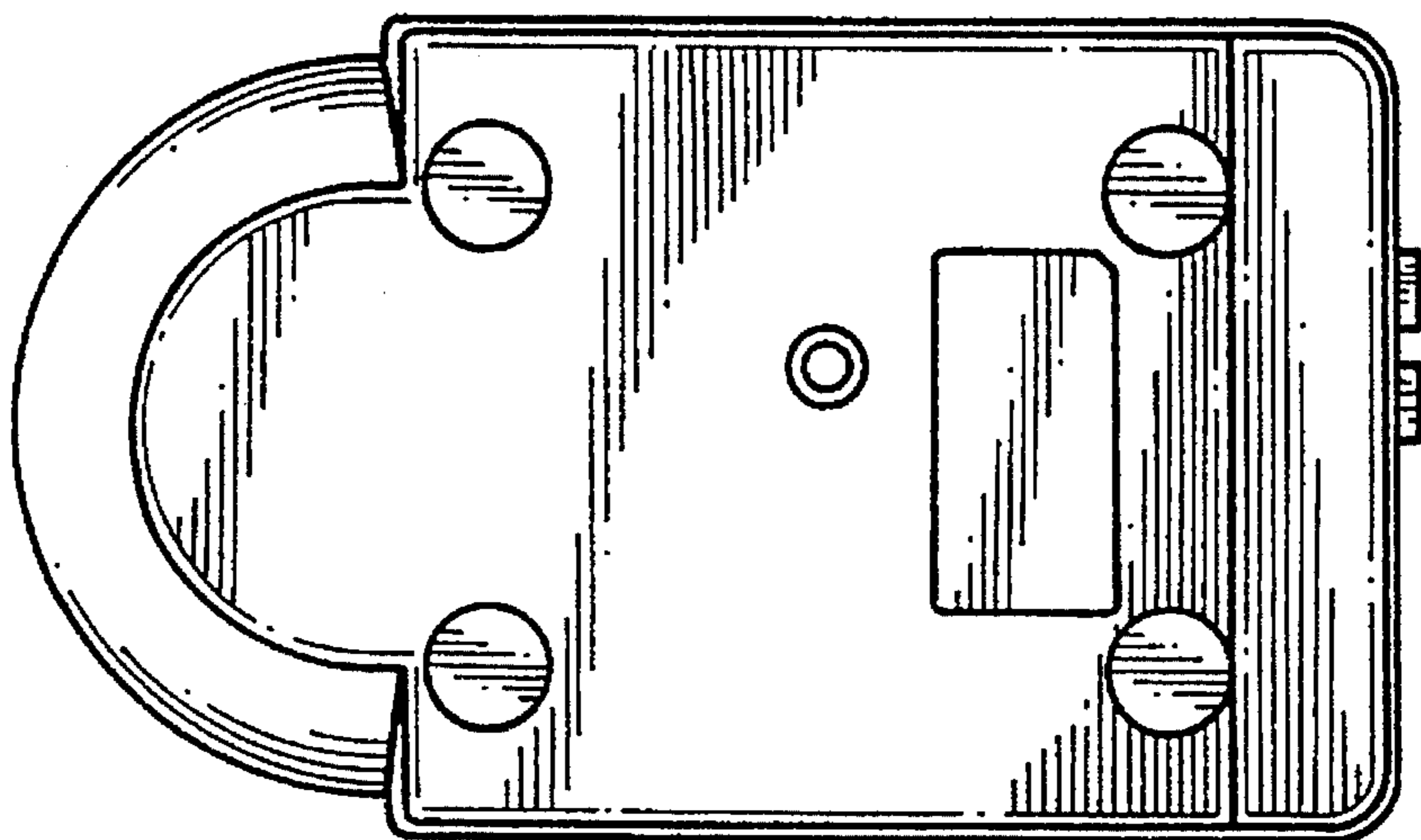


FIG. 7