



US00D377031S

**United States Patent** [19]  
**Didier**

[11] **Patent Number: Des. 377,031**  
[45] **Date of Patent: \*\*Dec. 31, 1996**

[54] **THREADED FUNNEL**  
[76] Inventor: **Emmanuel R. Didier**, 111 Marquez Pl.,  
Pacific Palisades, Calif. 90272  
[\*\*] Term: **14 Years**  
[21] Appl. No.: **46,424**  
[22] Filed: **Nov. 14, 1995**  
[52] U.S. Cl. .... **D15/150**  
[58] Field of Search ..... **D15/150; 141/98,**  
**141/331-345**

4,832,238 5/1989 Taylor .  
4,844,302 7/1989 Lay .  
4,872,594 10/1989 Bloom .  
4,934,420 6/1990 Radna ..... 141/340  
4,946,081 8/1990 Jacobson .  
4,957,225 9/1990 Childers .  
5,080,149 1/1992 Peoples .  
5,104,013 4/1992 Hawley .  
5,186,358 2/1993 McVay .  
5,248,071 9/1993 Ray .  
5,249,716 10/1993 O'Sullivan .  
5,472,025 12/1995 Conrad et al. .... 141/332

*Primary Examiner*—Antoine Duval Davis

[56] **References Cited**

**U.S. PATENT DOCUMENTS**

D. 205,678 9/1966 Williams ..... D7/700  
269,425 6/1983 Whitaker, Jr. .  
D. 325,497 4/1992 Albertson .  
934,761 9/1909 Sargent ..... 141/341  
1,266,394 5/1918 Brennesen .  
2,509,098 5/1950 Howard ..... 141/340  
2,815,895 12/1957 Reed .  
3,096,915 7/1963 Taylor .  
3,124,280 3/1964 Stull .  
3,523,630 8/1970 Catapano .  
3,537,623 11/1970 Fisher .  
4,559,984 12/1985 Wycech ..... 141/340  
4,600,125 7/1986 Maynard, Jr. .  
4,789,017 12/1988 Panasewicz et al. .... 141/342

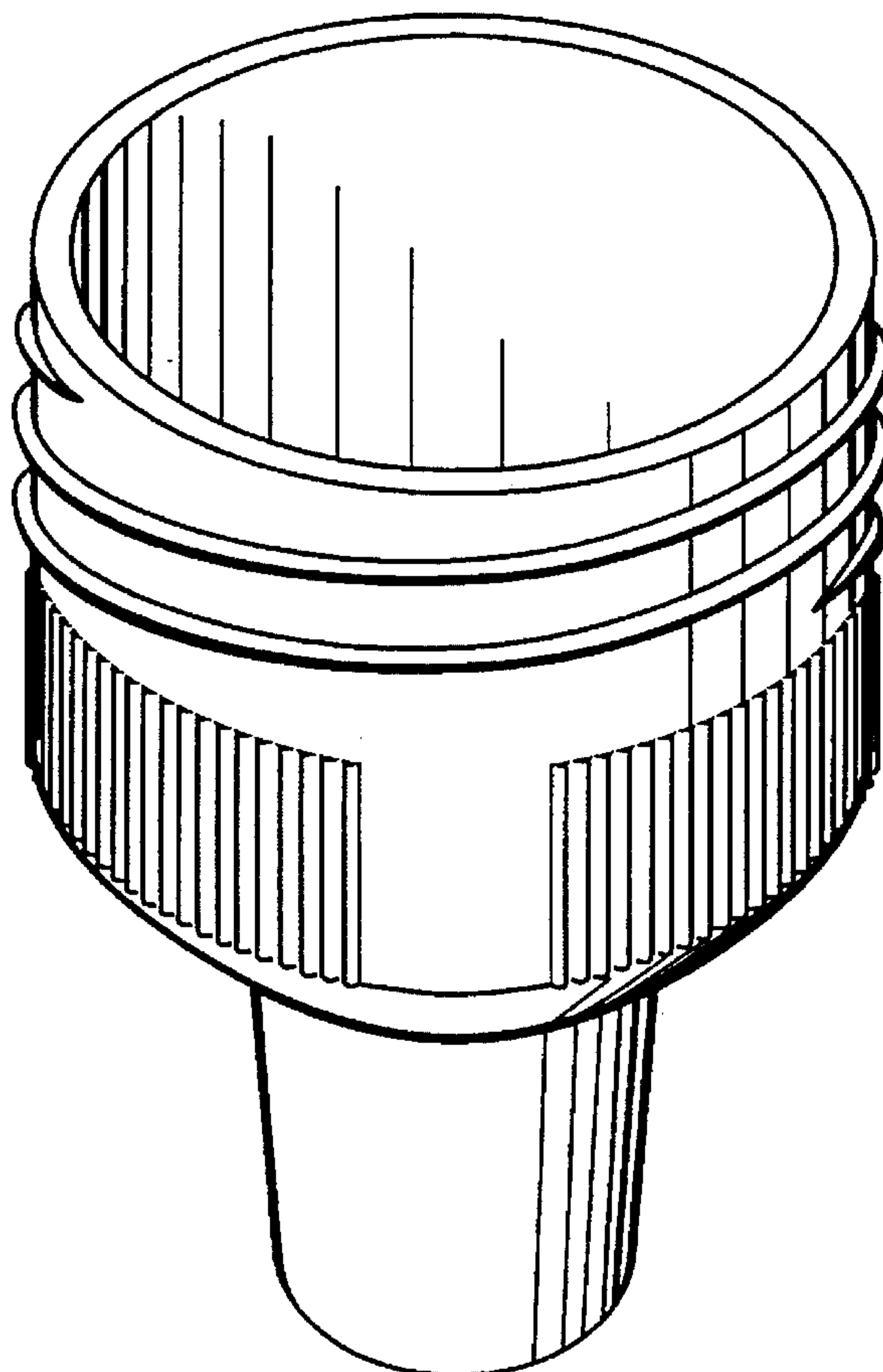
[57] **CLAIM**

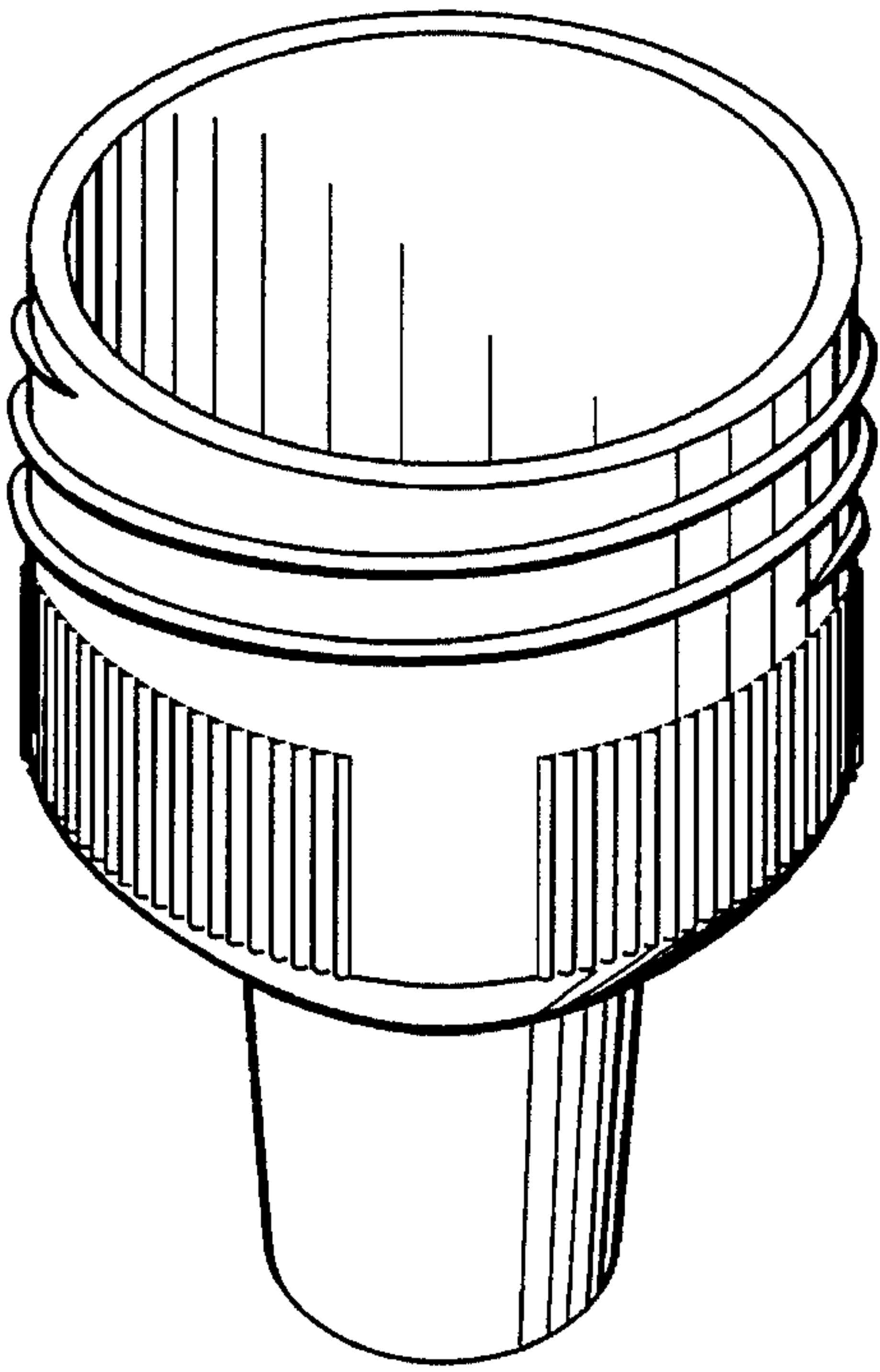
The ornamental design for a threaded funnel, as shown and described.

**DESCRIPTION**

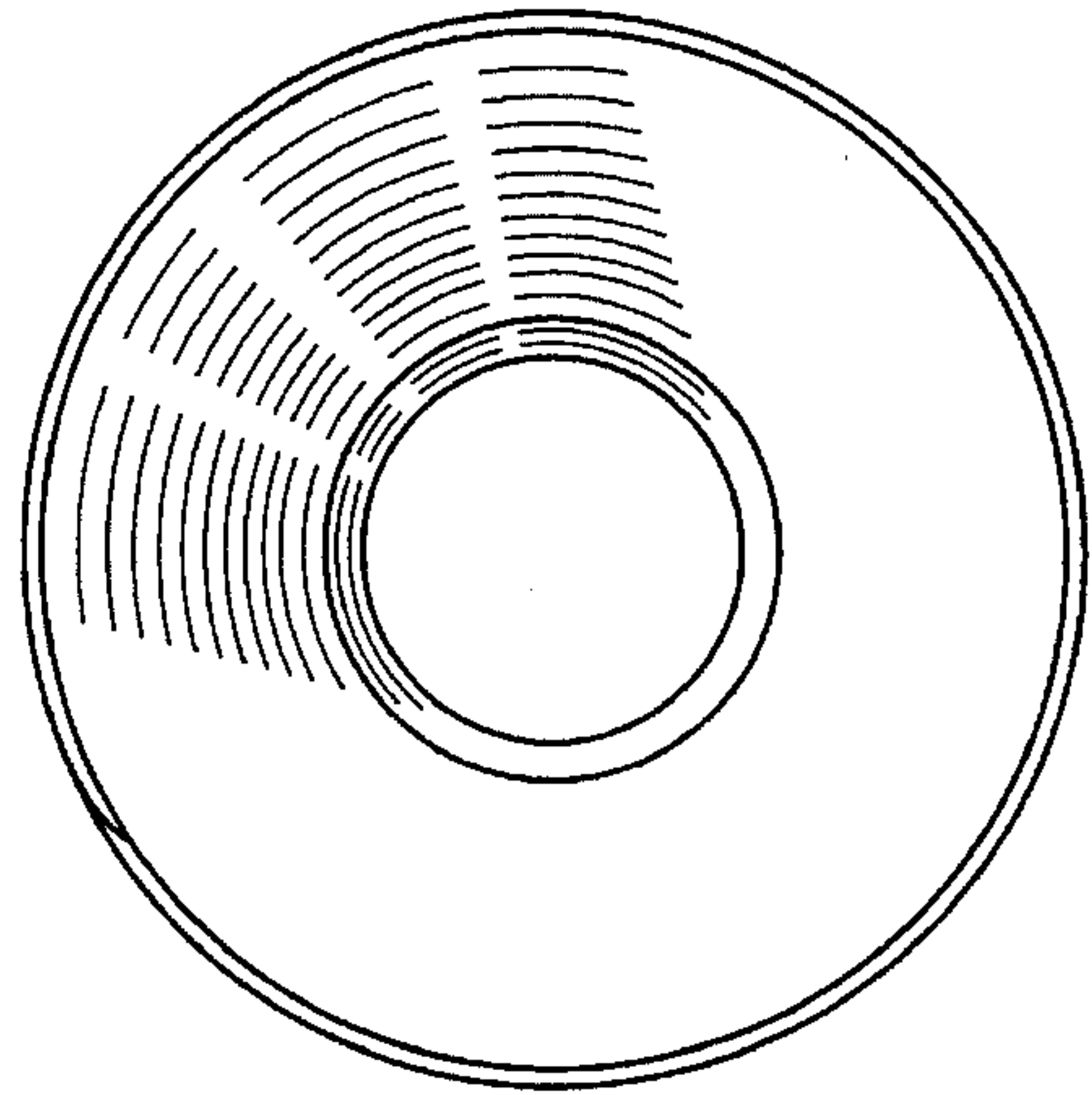
FIG. 1 is a perspective view of my threaded funnel showing my new design;  
FIG. 2 is a top plan view thereof;  
FIG. 3 is a left side elevational view thereof;  
FIG. 4 is a front elevational view thereof;  
FIG. 5 is a right side elevational view thereof;  
FIG. 6 is a back elevation view thereof; and,  
FIG. 7 is a bottom plan view thereof.

**1 Claim, 2 Drawing Sheets**

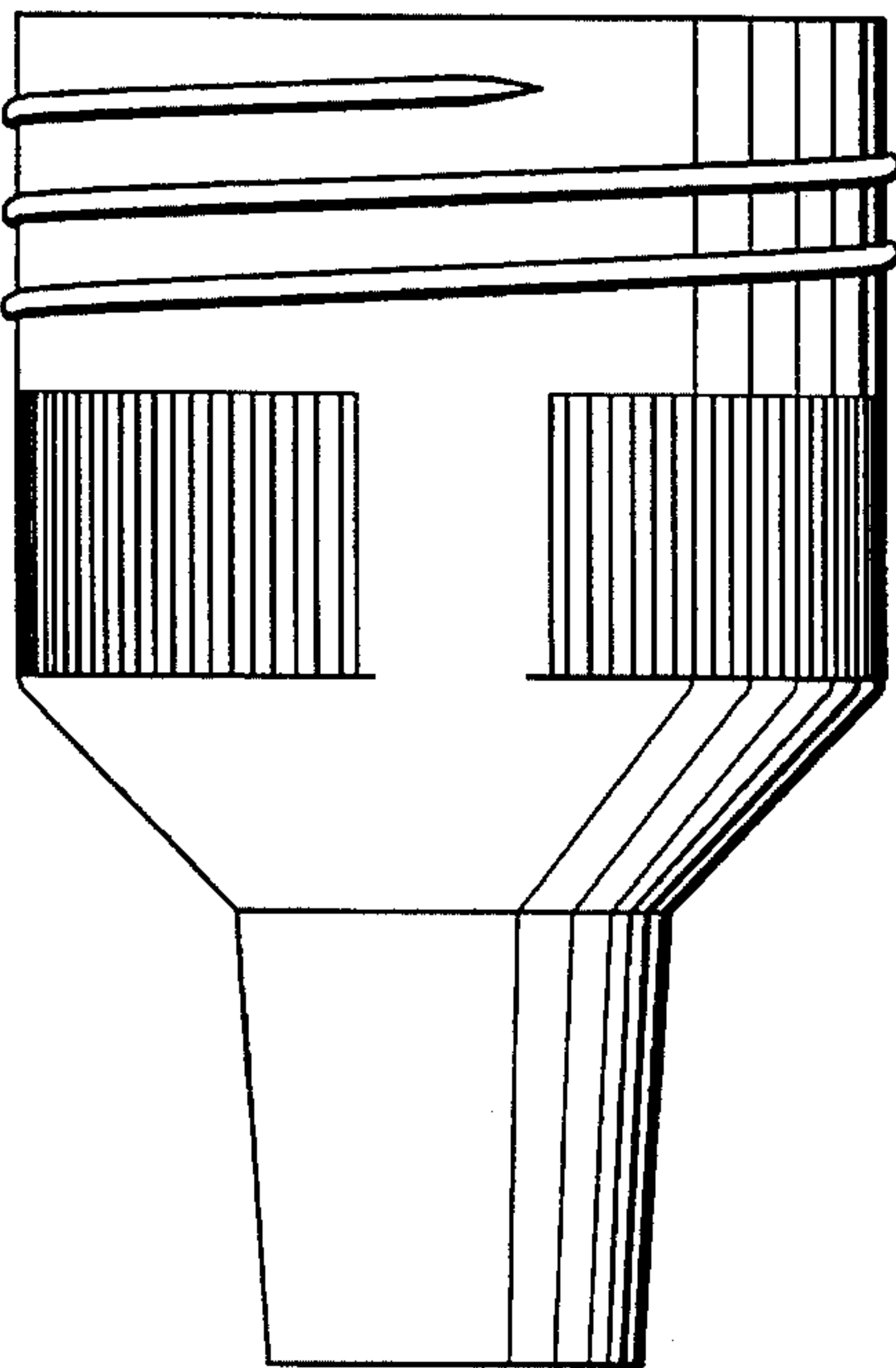




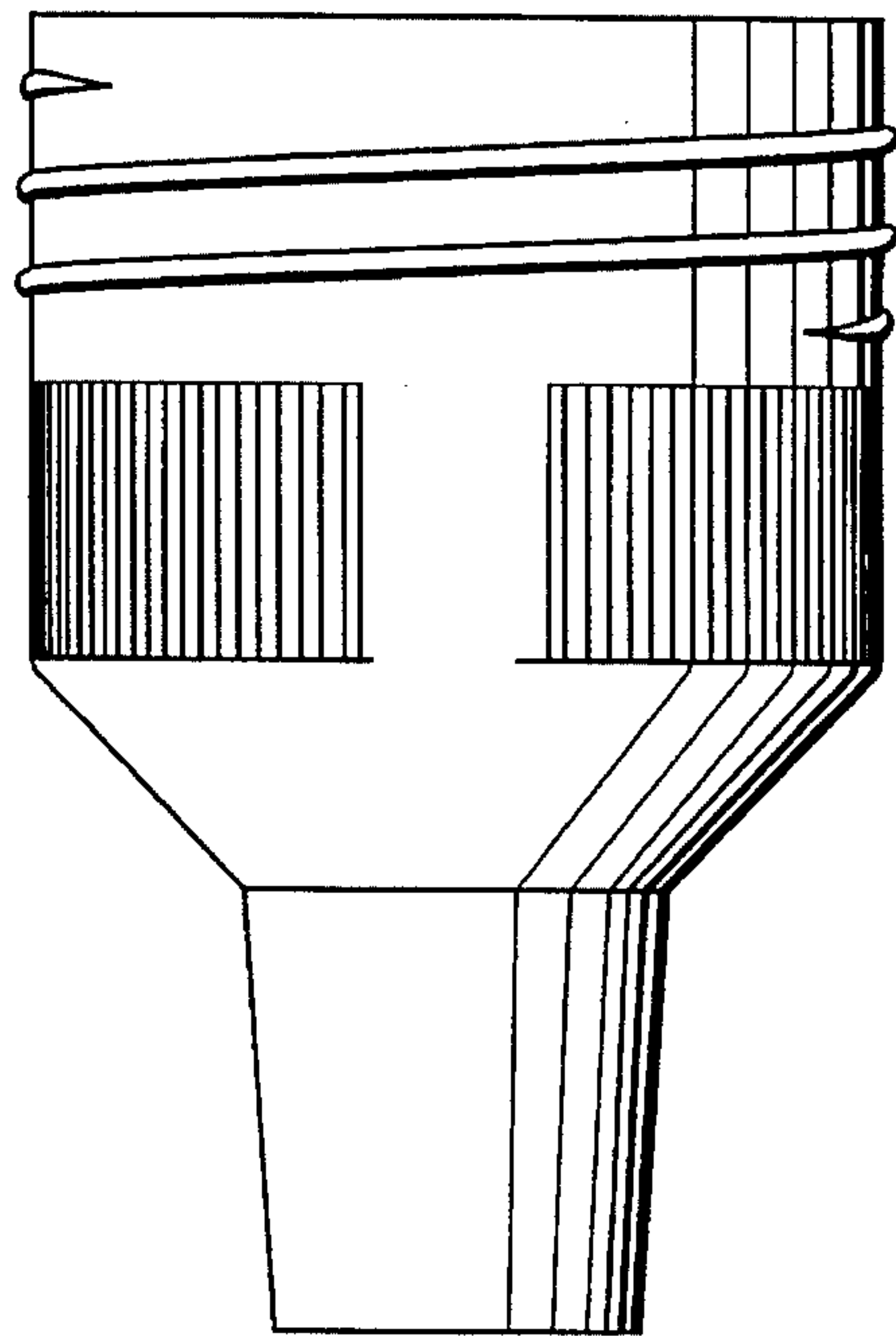
*Fig. 1*



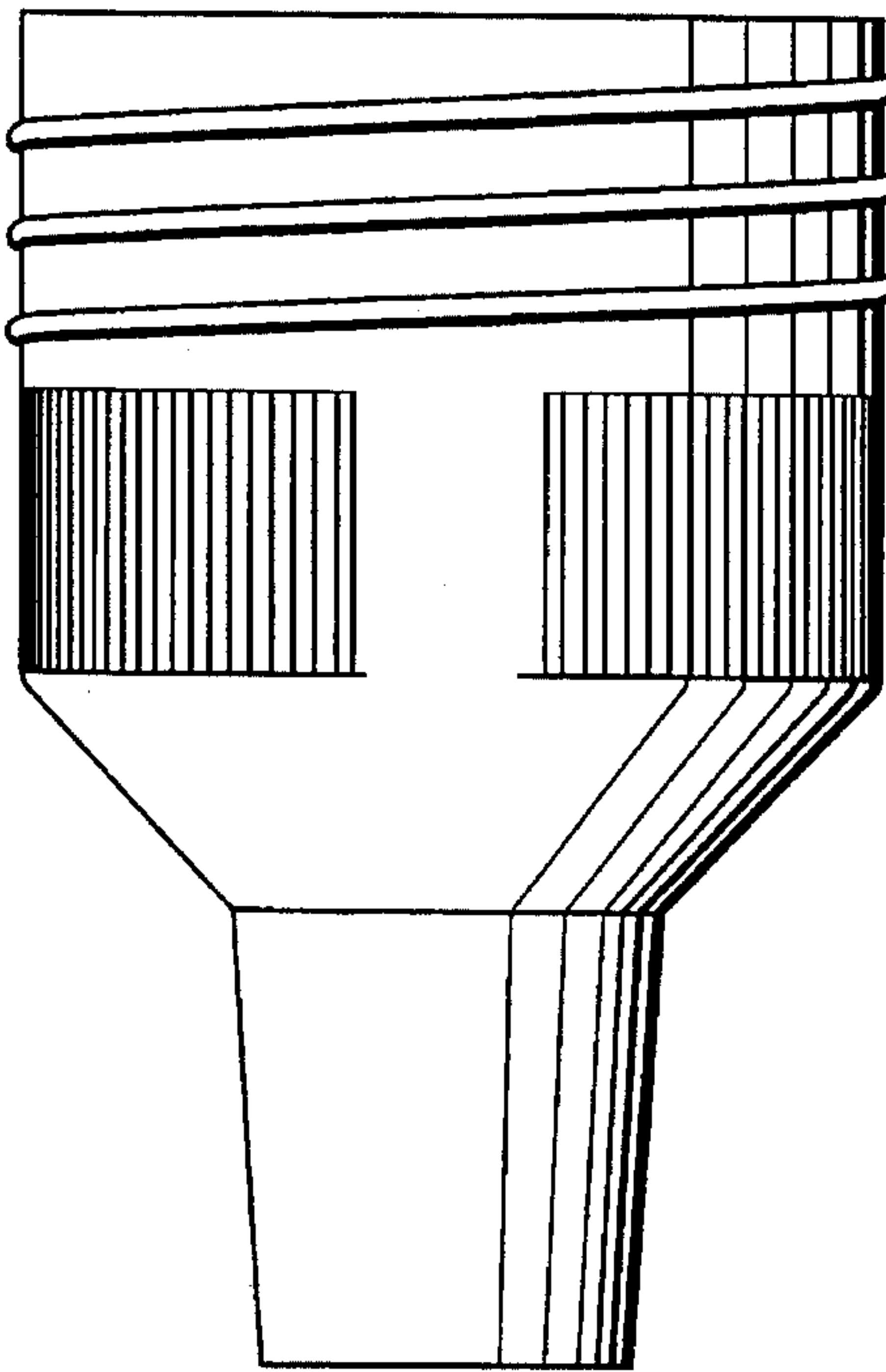
*Fig. 2*



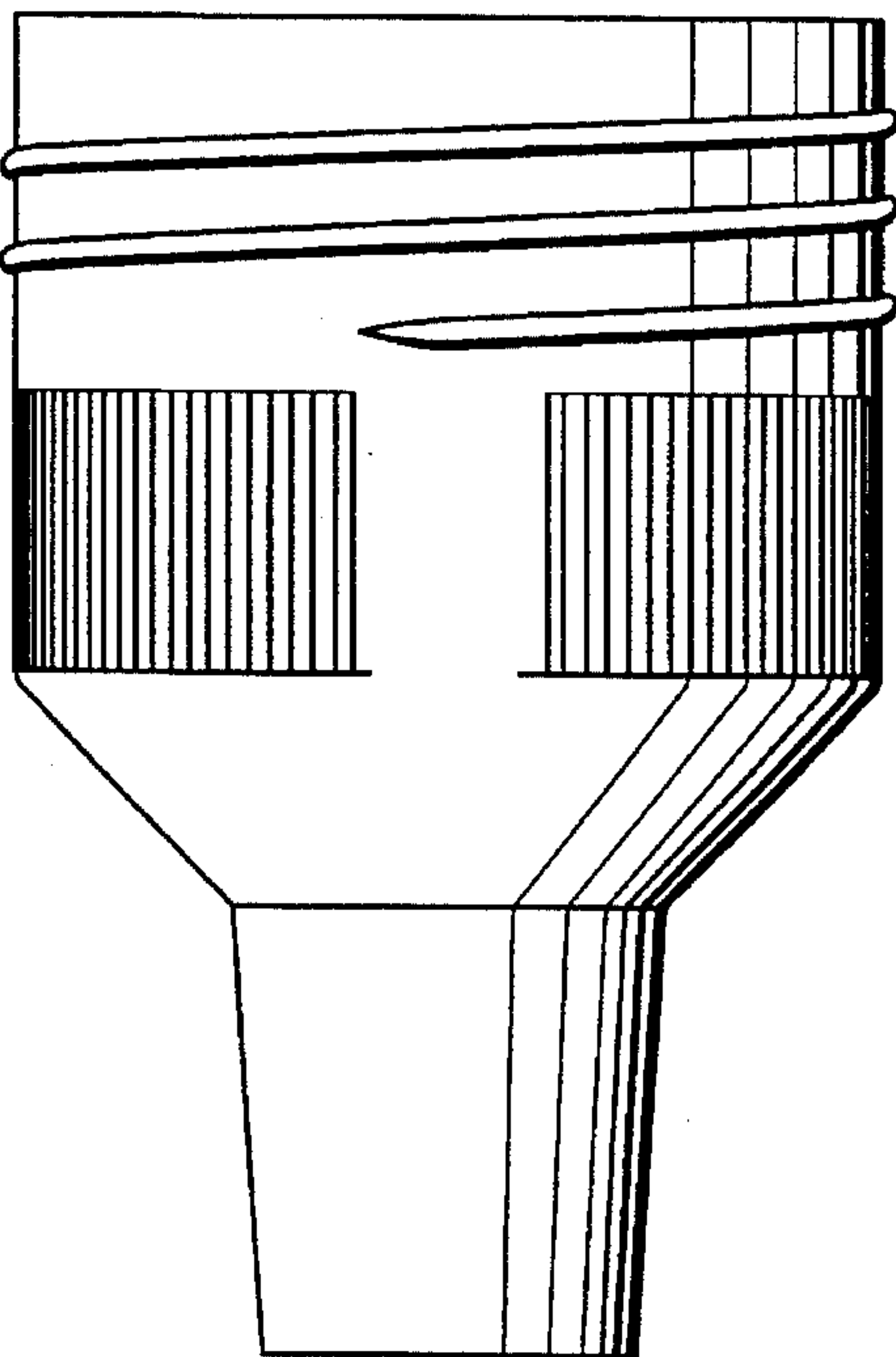
*Fig. 3*



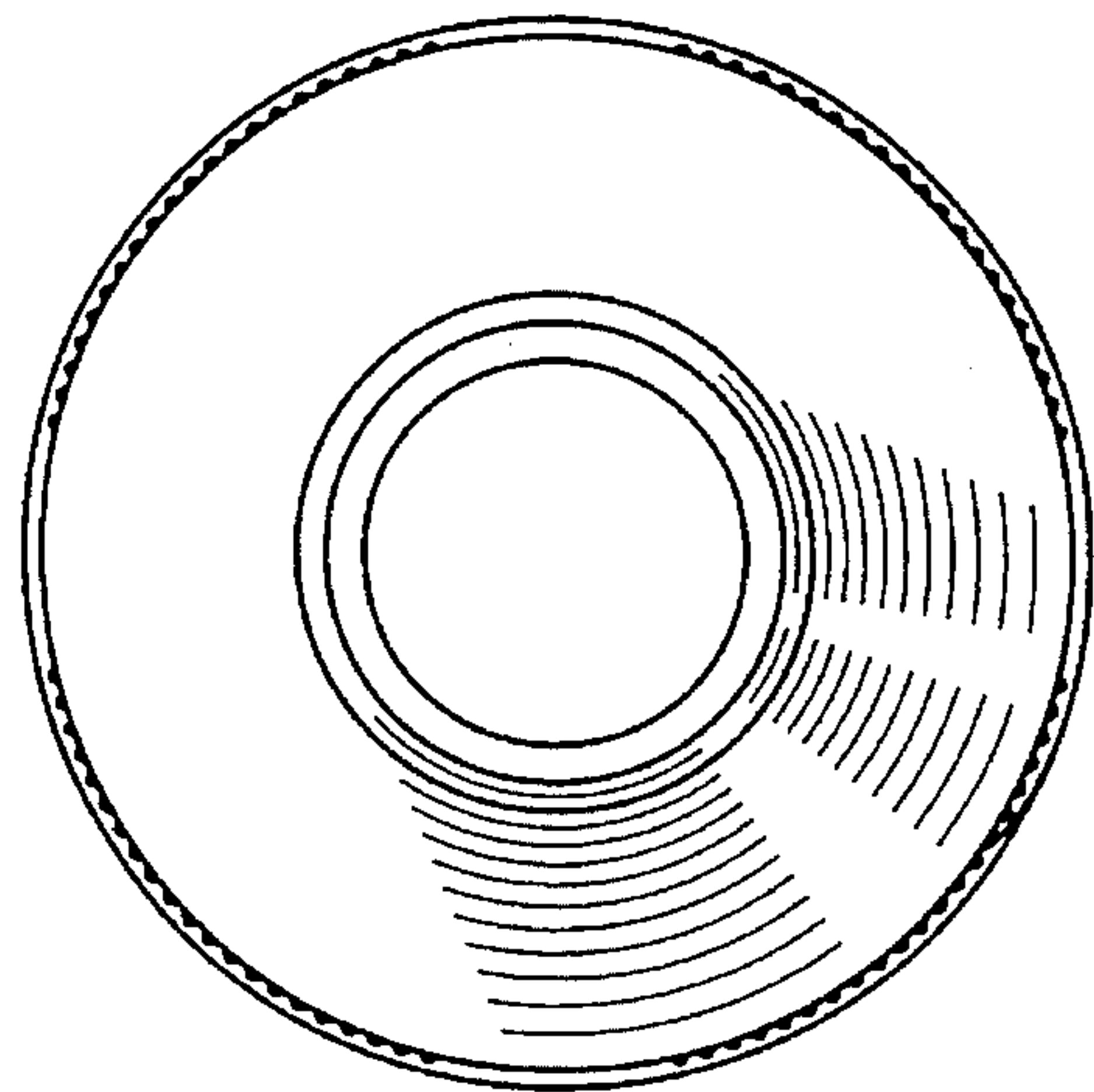
*Fig. 4*



*Fig. 6*



*Fig. 5*



*Fig. 7*