



US00D377030S

United States Patent [19] Spear

[11] Patent Number: **Des. 377,030**

[45] Date of Patent: ****Dec. 31, 1996**

[54] SAND BAG FILLING DEVICE

[76] Inventor: **James J. Spear**, 1321 N. 76th East Ave., Tulsa, Okla. 74115

[**] Term: **14 Years**

[21] Appl. No.: **47,883**

[22] Filed: **Dec. 15, 1995**

[52] U.S. Cl. **D15/145; D15/199**

[58] Field of Search **D15/145, 199; 141/10, 114, 131, 231, 313, 391; 198/533; 222/74, 227, 238, 415; 248/97, 101**

[56] **References Cited**

U.S. PATENT DOCUMENTS

4,044,921	8/1977	Caverly	222/74
5,215,127	6/1993	Bergeron	141/10

Primary Examiner—Antoine Duval Davis

Attorney, Agent, or Firm—Harold H. Dutton, Jr.; W. Charles L. Jamison; Diane F. Liebman

[57] **CLAIM**

The ornamental design for a sand bag filling device, as shown.

DESCRIPTION

FIG. 1 is a perspective view of a sand bag filling device showing my new design;
FIG. 2 is a right side view thereof;
FIG. 3 is a left side view thereof;
FIG. 4 is a front view thereof;
FIG. 5 is a rear view thereof; and,
FIG. 6 is a bottom view thereof.

The broken line showing is for illustrative purposes only and forms no part of the claimed design.

1 Claim, 4 Drawing Sheets

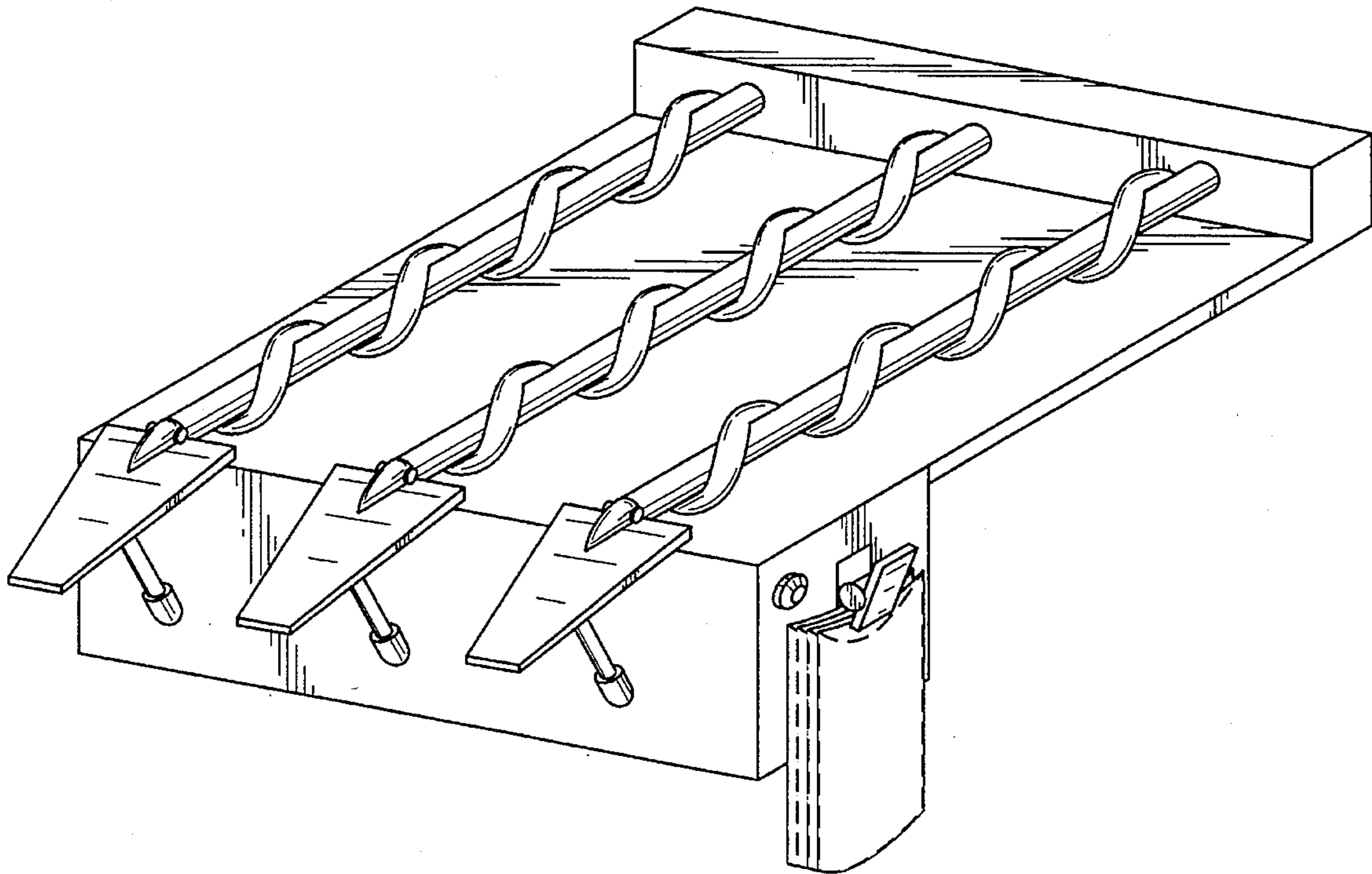
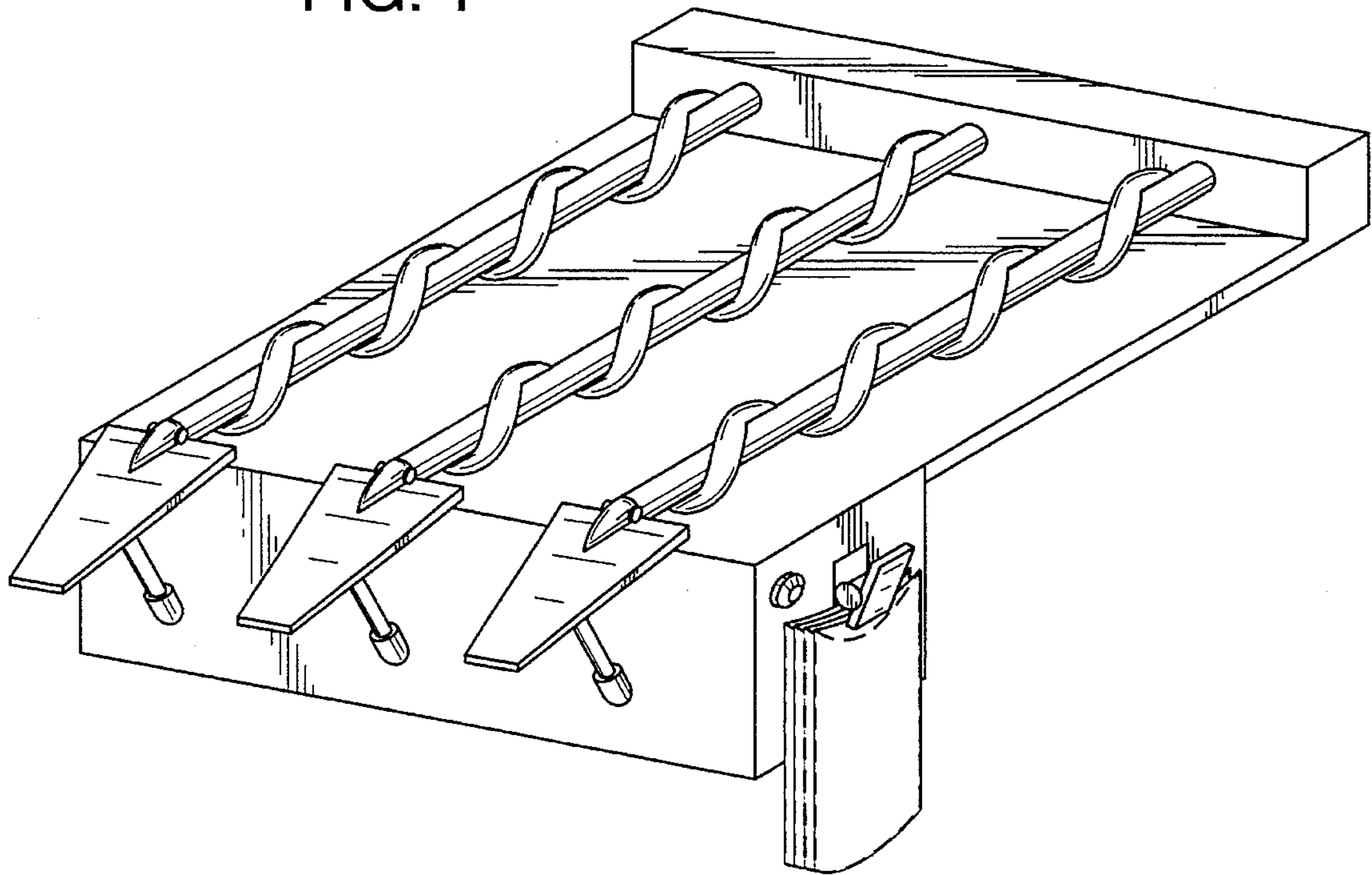


FIG. 1



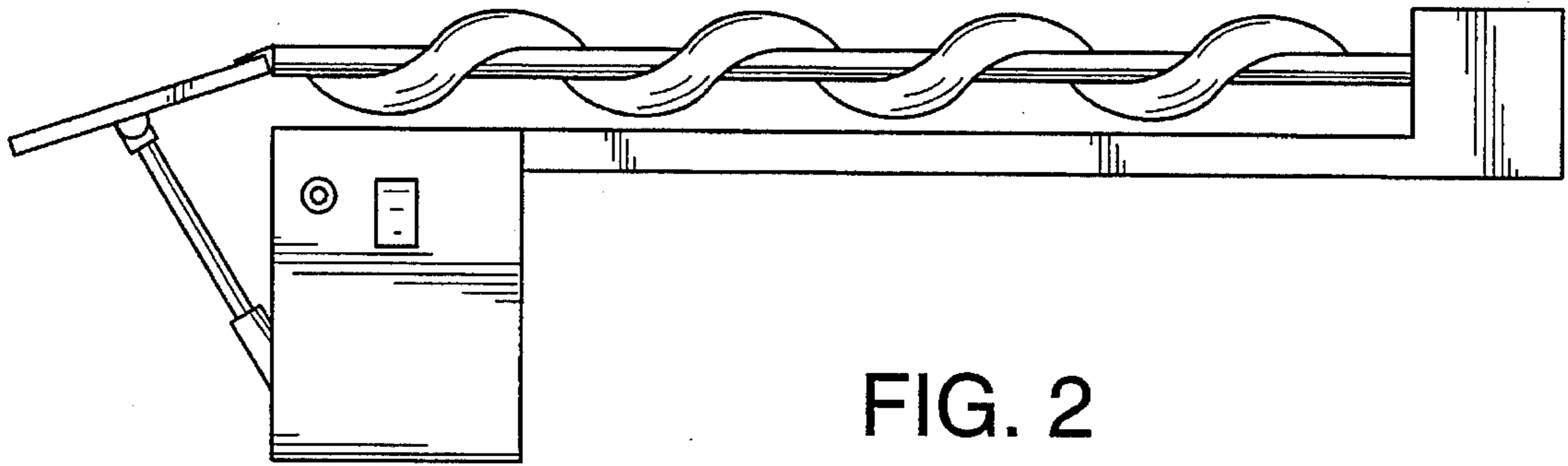


FIG. 2

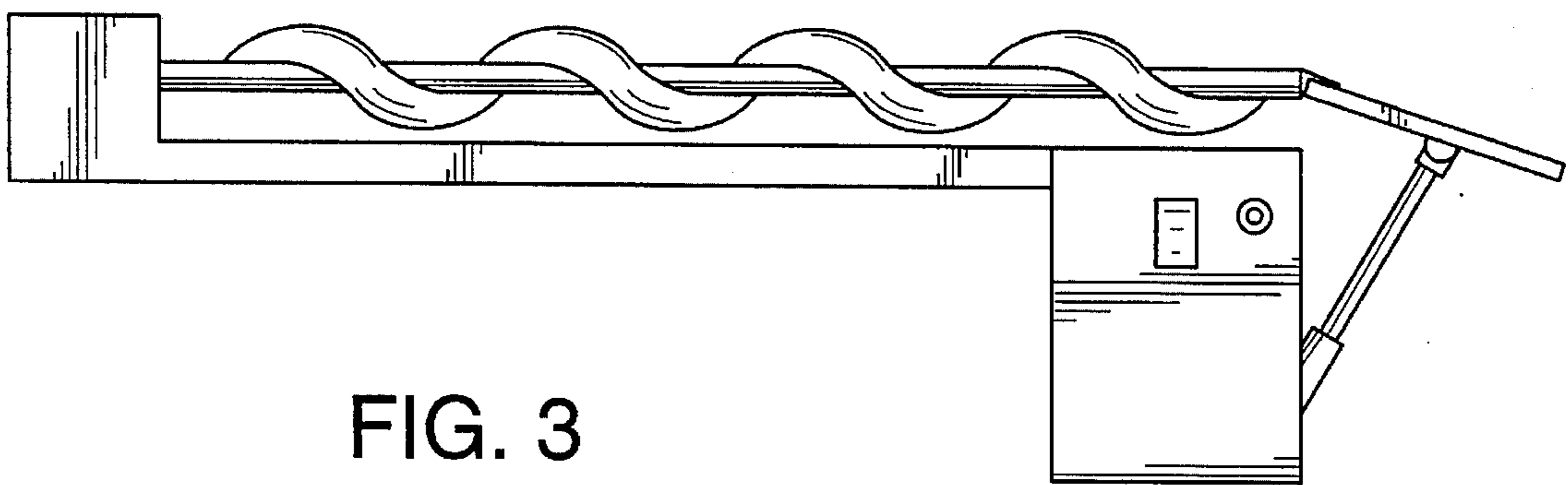


FIG. 3

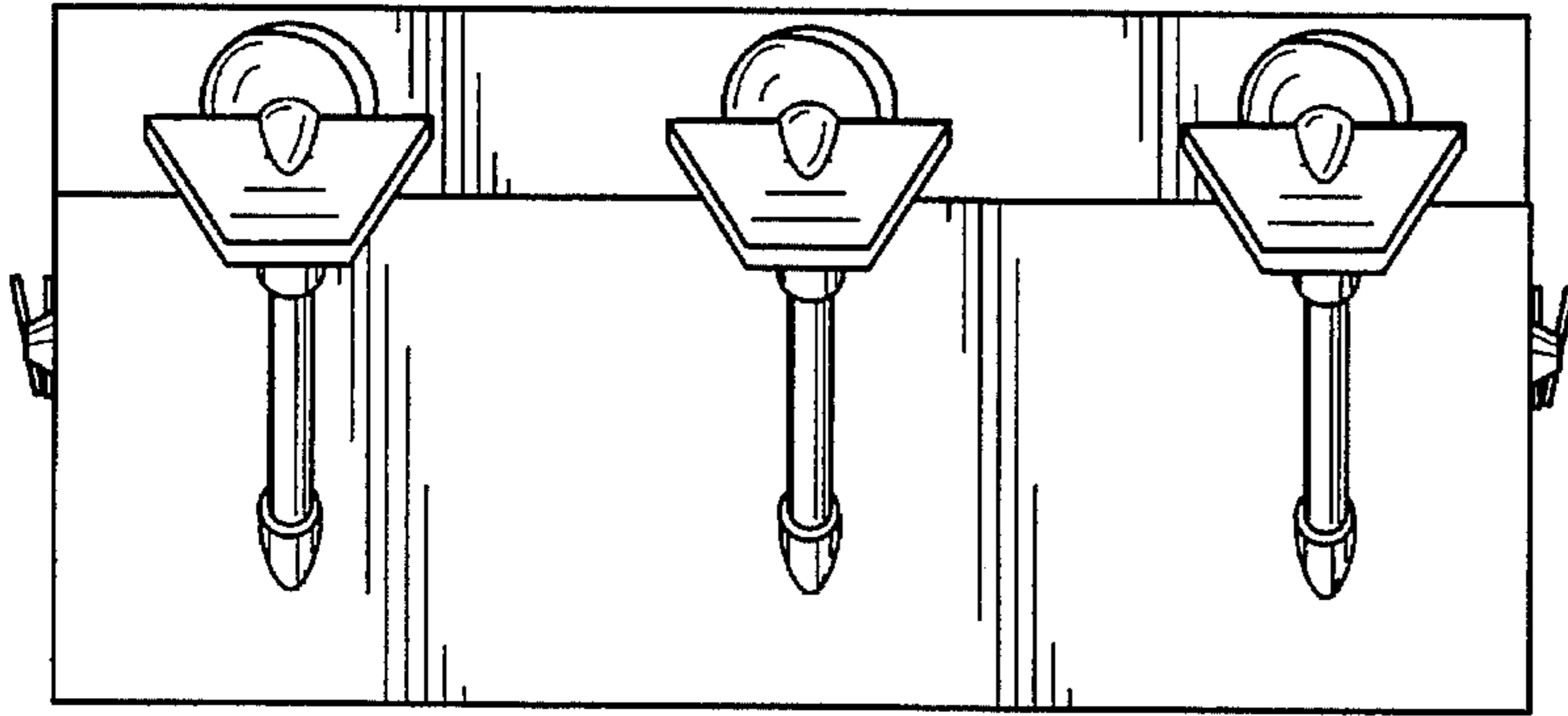


FIG. 4

FIG. 5

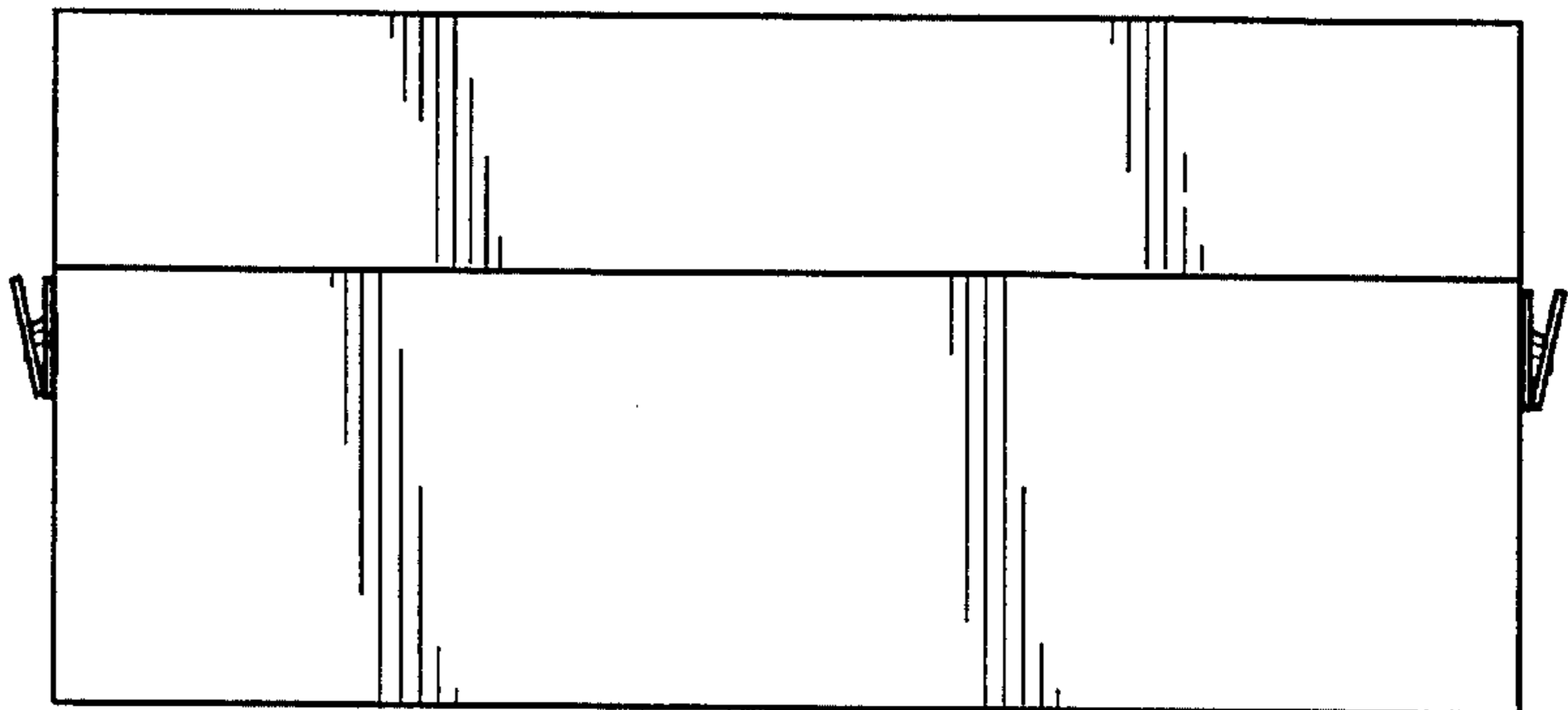


FIG. 6

