



US00D377029S

# United States Patent [19]

McLeod et al.

[11] Patent Number: **Des. 377,029**

[45] Date of Patent: **\*\*Dec. 31, 1996**

[54] **DRILL BIT FINGER**

[76] Inventors: **Gavin T. McLeod**, 21B Hertford Close, Bullcreek, Western Australia 6154; **Matthew V. Egan**, 21 San Miguel Drive, Leeming, Western Australia 6155, both of Australia

[\*\*] Term: **14 Years**

[21] Appl. No.: **40,007**

[22] Filed: **Jun. 7, 1995**

### [30] Foreign Application Priority Data

Dec. 15, 1994 [AU] Australia ..... 4179/94

[52] U.S. Cl. .... **D15/139**

[58] Field of Search ..... D15/138, 139; 175/46, 52, 171, 372, 382-385, 426-433

### [56] References Cited

#### U.S. PATENT DOCUMENTS

D. 220,920	6/1971	Cochran	.....	D15/139
2,068,704	1/1937	Powell	.	
2,345,699	4/1944	Camp	.	
2,358,466	9/1944	Miller	.	
2,640,546	6/1953	Baker	.	
2,842,343	7/1958	Church et al.	.	
3,437,159	4/1969	Link et al.	.	
3,603,411	9/1971	Link	.	
3,603,413	9/1971	Grill et al.	.	
3,692,126	9/1972	Rushing et al.	.	
3,955,633	5/1976	Bowles	.	
4,281,722	8/1981	Tucker et al.	.	
4,497,382	2/1985	Nenkov	.	
4,770,253	9/1988	Hallissy et al.	.....	175/426 X
4,828,023	5/1989	Leggett	.	

#### FOREIGN PATENT DOCUMENTS

788637	1/1958	United Kingdom	.
2181764	4/1987	United Kingdom	.
PCT/SU89/00123	2/1990	WIPO	.

Primary Examiner—Antoine Duval Davis

### [57] CLAIM

The ornamental design for a drill bit finger, as shown and described.

### DESCRIPTION

FIG. 1 is a right side view in elevation of a drill bit finger (without cutting head attached) showing our new design; FIG. 2 is a rear view thereof in elevation (without cutting head attached); FIG. 3 is a perspective view thereof from the rear (without cutting head attached); FIG. 4 is a front view thereof in elevation (without cutting head attached); FIG. 5 is a left side view thereof in elevation (without cutting head attached); FIG. 6 is a bottom view thereof in plan (without cutting head attached); FIG. 7 is a perspective view thereof from the front (without cutting head attached); FIG. 8 is a front view in elevation of the drill bit finger (with cutting head attached) showing our new design; FIG. 9 is a left side view thereof (with cutting head attached); FIG. 10 is a perspective view thereof from the front (with cutting head attached); FIG. 11 is a top view thereof in plan (with cutting head attached); FIG. 12 is a top view thereof in plan (with cutting head attached); FIG. 13 is a right side view thereof in elevation (with cutting head attached); FIG. 14 is a rear view thereof in elevation (with cutting head attached); and, FIG. 15 is a perspective view thereof from the rear (with cutting head attached).

**1 Claim, 4 Drawing Sheets**



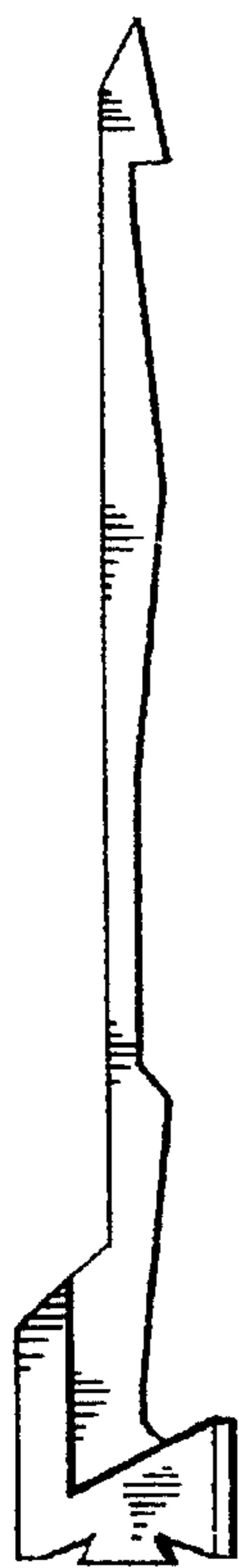


FIG. 1

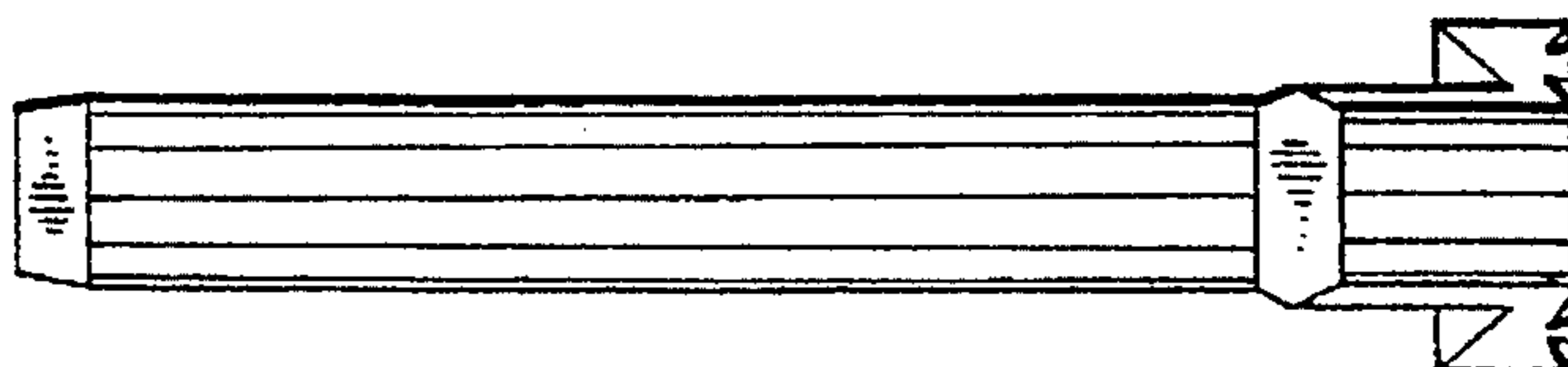


FIG. 2

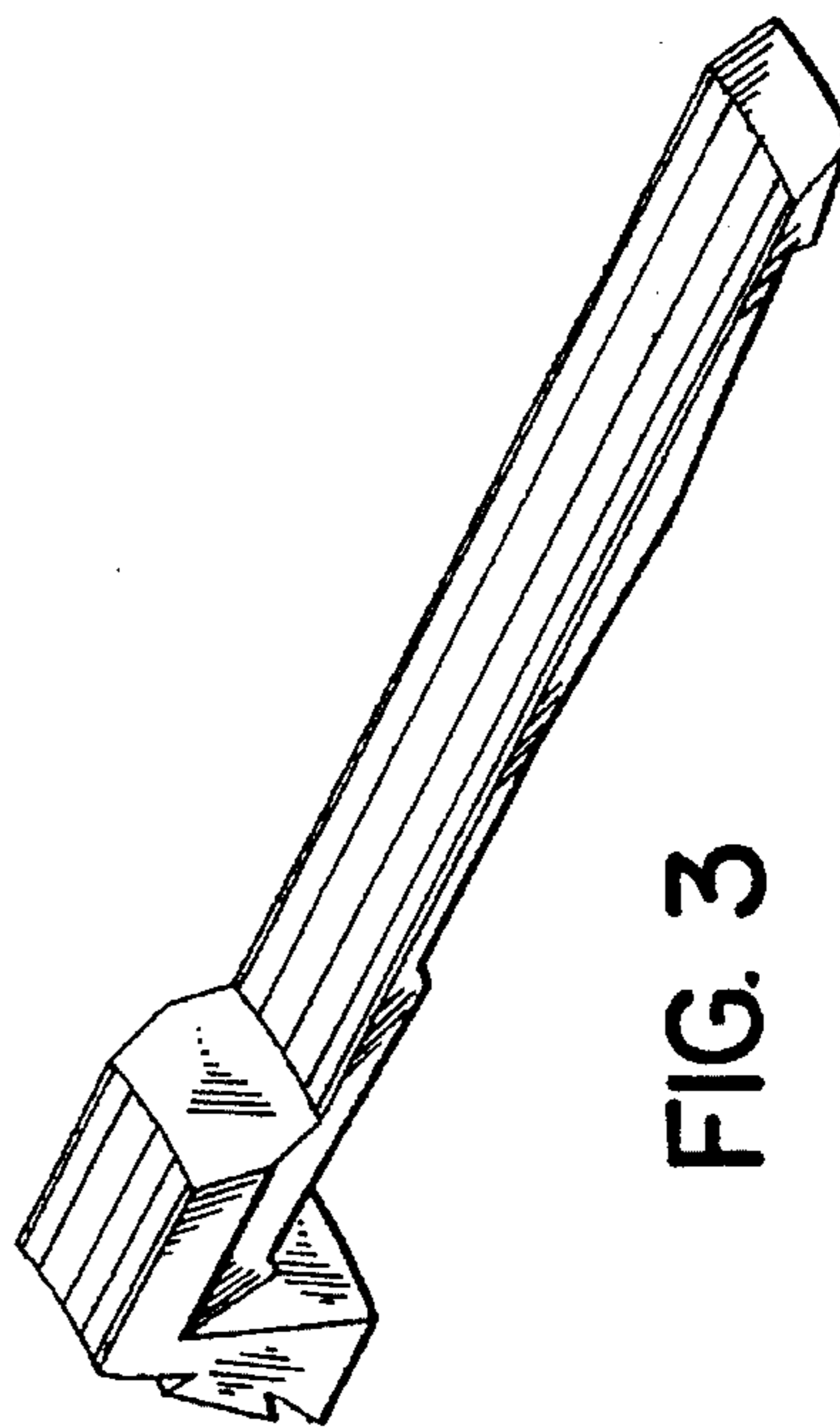


FIG. 3

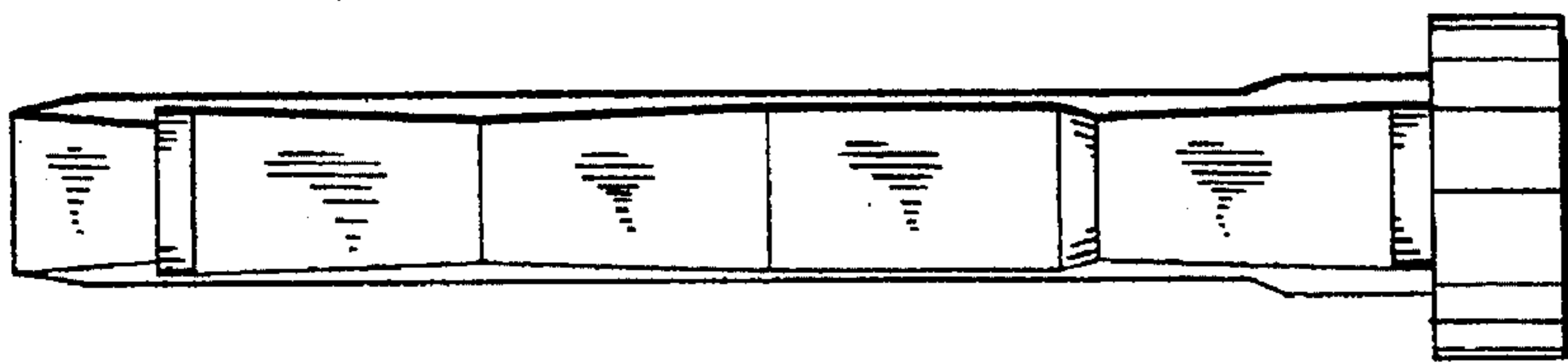


FIG. 4

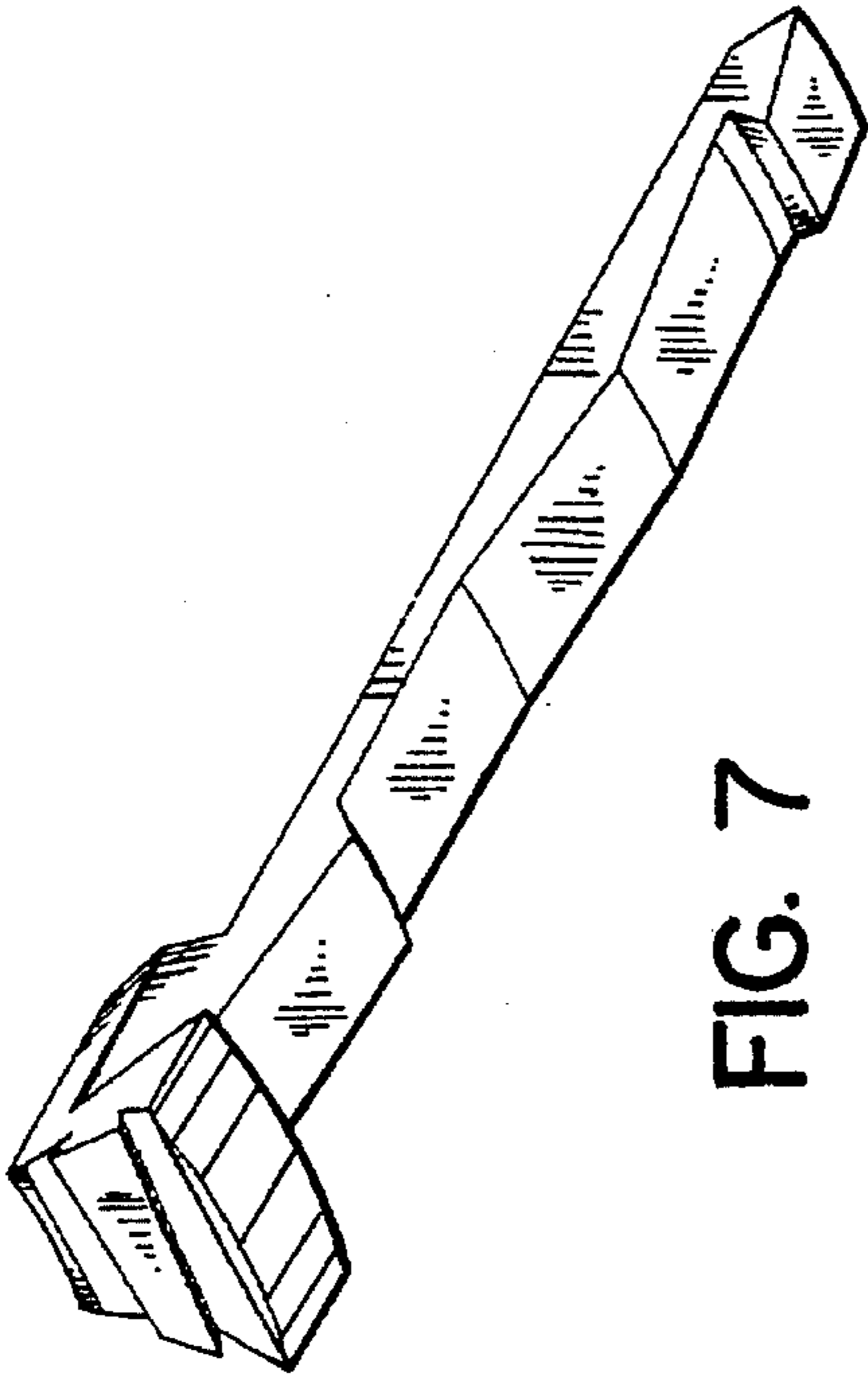


FIG. 7

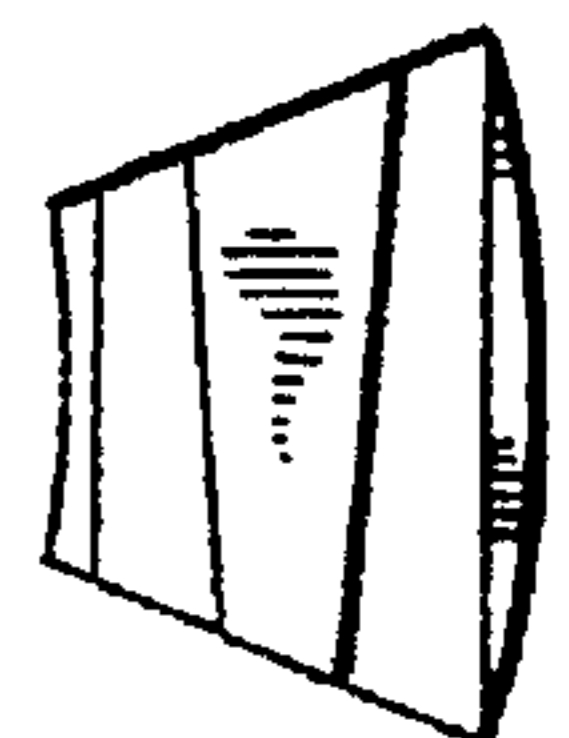


FIG. 6

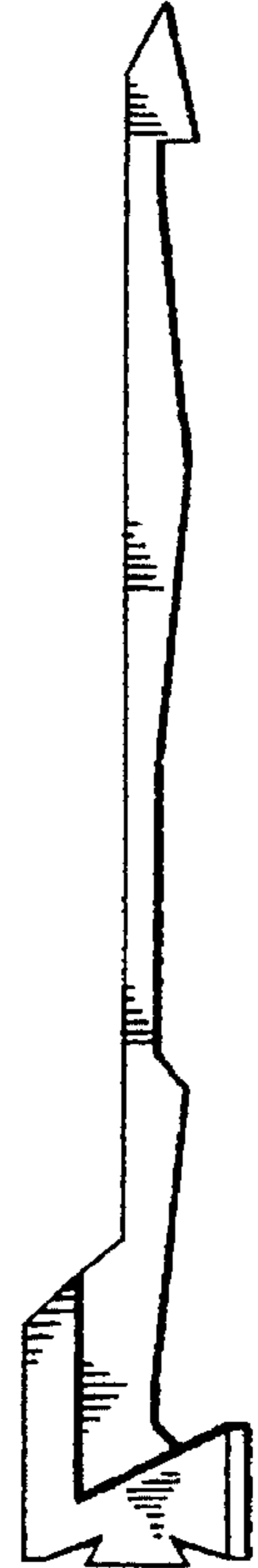


FIG. 5

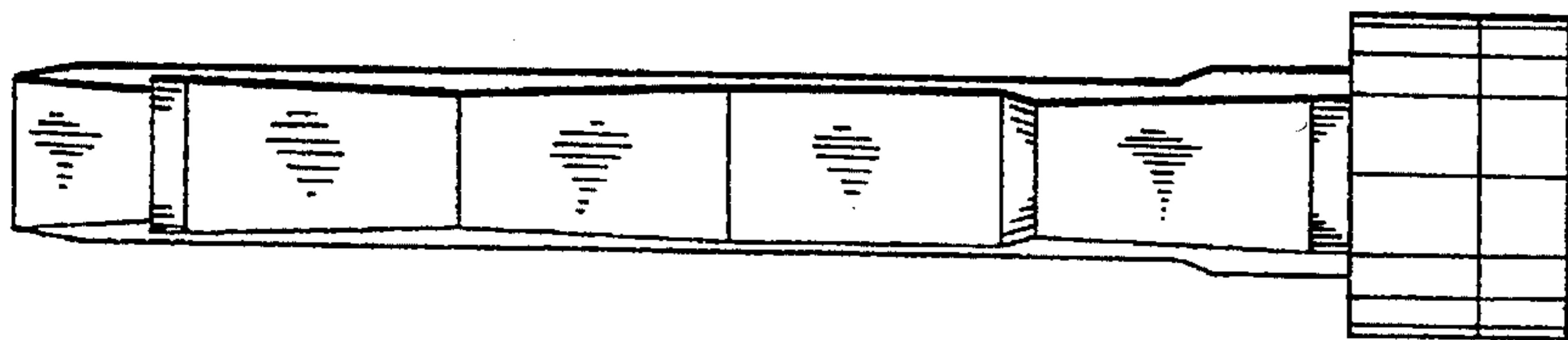


FIG. 8

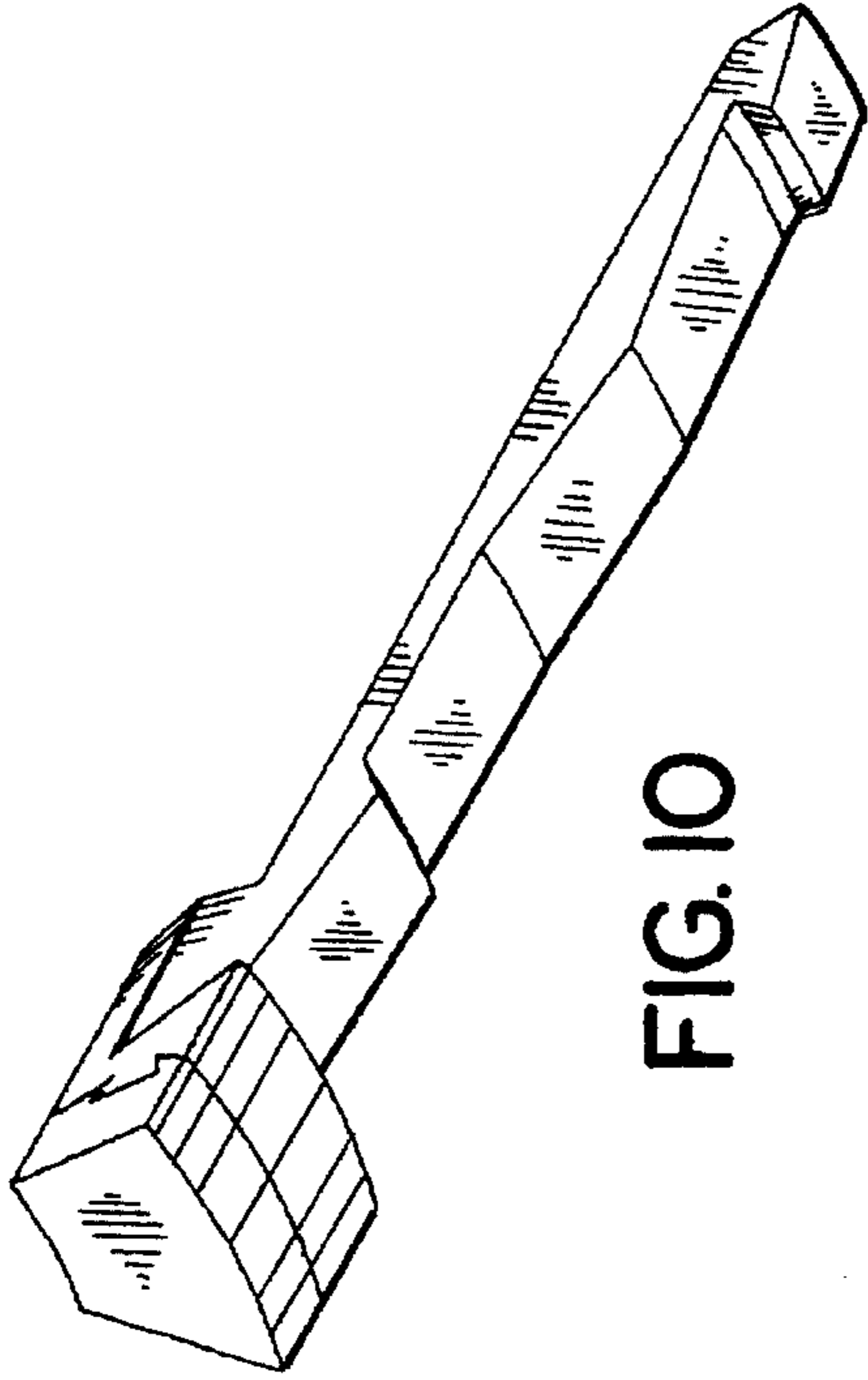


FIG. 10

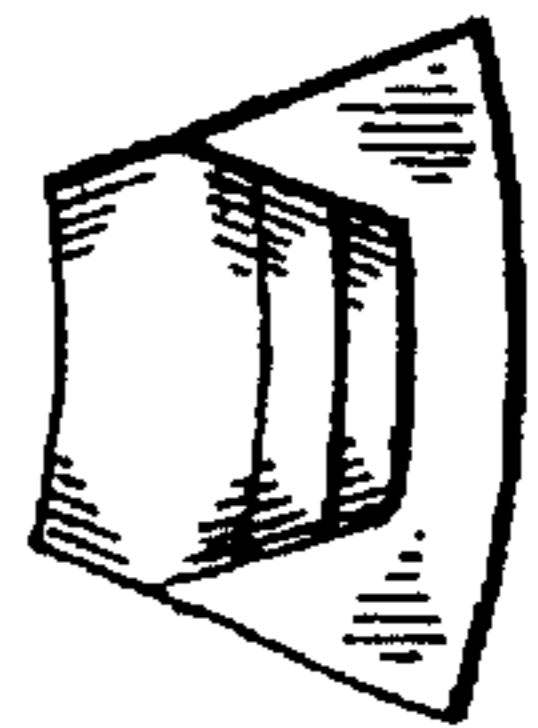


FIG. 11

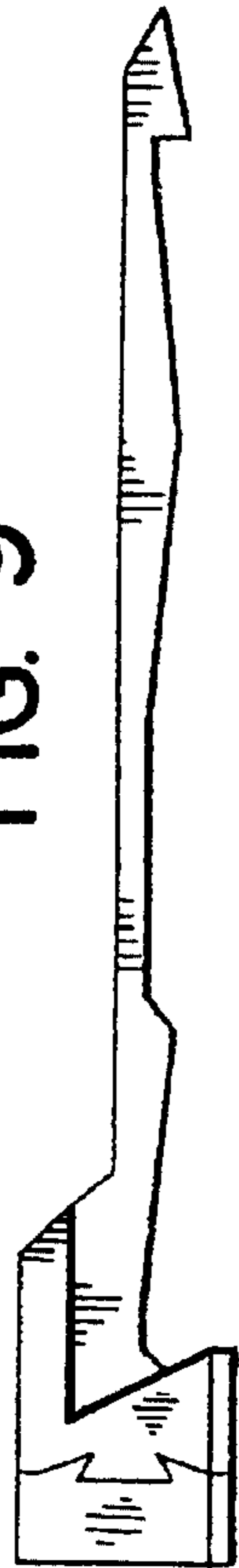


FIG. 9

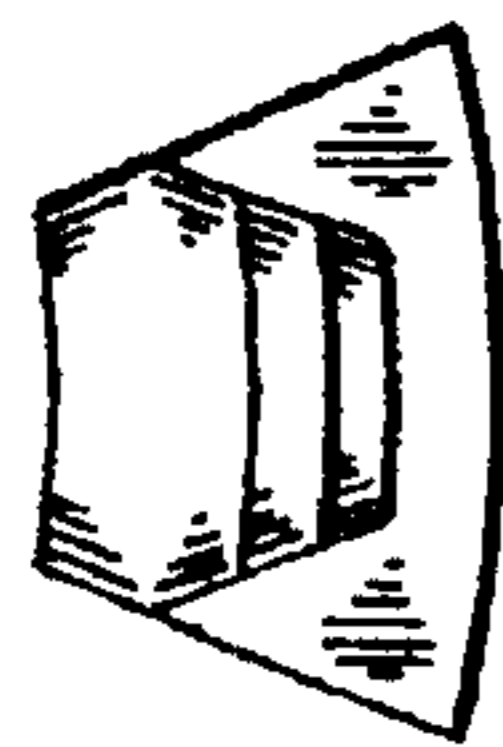


FIG. 12

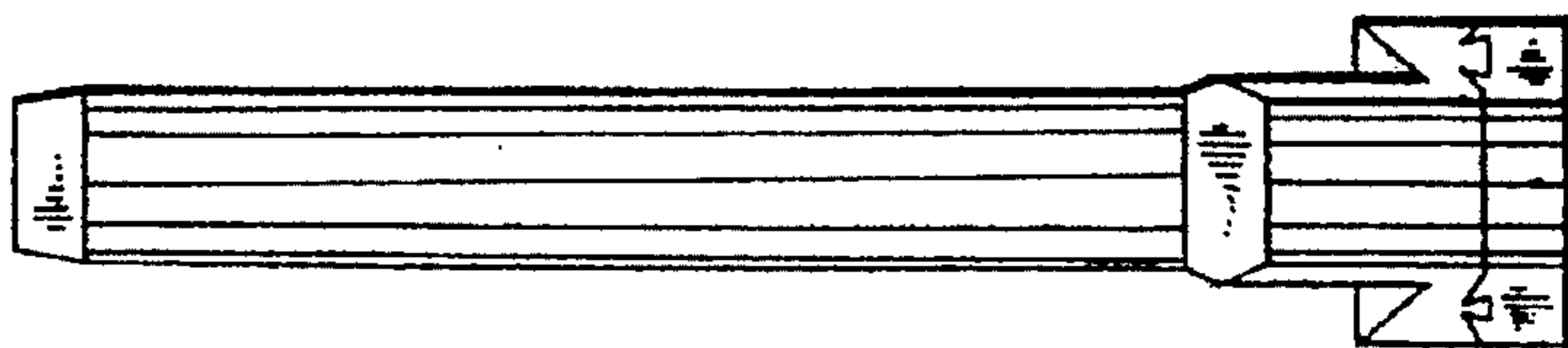


FIG. 14

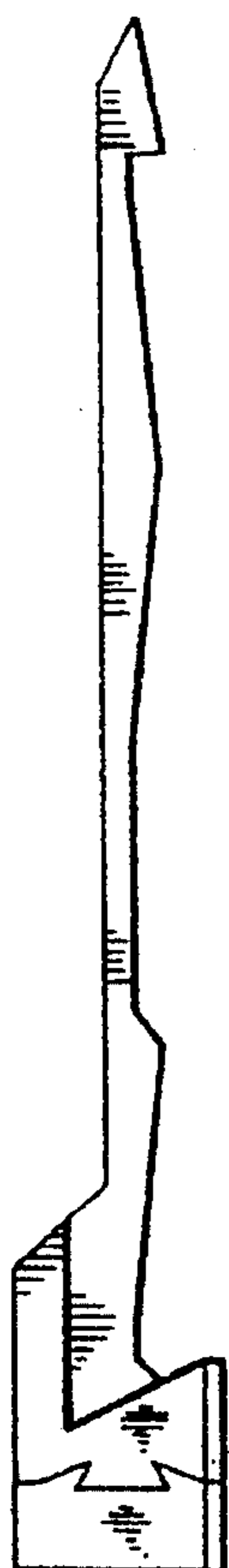


FIG. 13

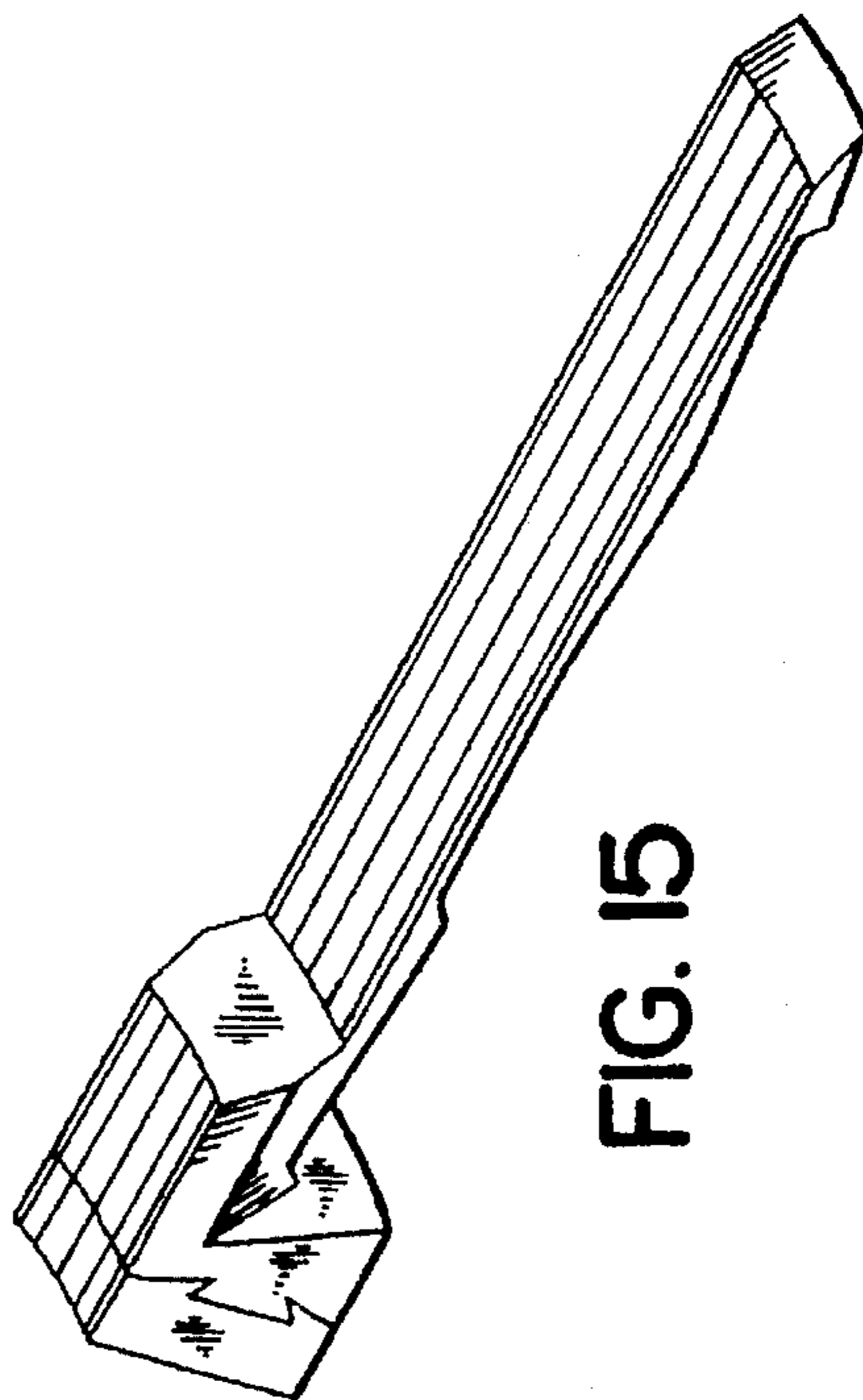


FIG. 15