



US00D377028S

United States Patent [19]
Monday

[11] **Patent Number: Des. 377,028**
[45] **Date of Patent: **Dec. 31, 1996**

[54] **ICE HOLDING AND DRAINING BASKET**
[76] **Inventor: Ronald Monday**, 812 Berkshire La.,
Carol Stream, Ill. 60188
[**] **Term: 14 Years**
[21] **Appl. No.: 38,541**
[22] **Filed: May 8, 1995**
[52] **U.S. Cl. D15/90; D6/536**
[58] **Field of Search D6/511, 532, 536;**
D7/369, 550, 667; D15/79-90; 62/246-254,
293, 441, 444, 445, 457.1-457.9; 312/114,
116, 117, 119, 401-408; 206/562; 210/464,
465, 470

D. 351,489 10/1994 Helfrick D7/667
D. 352,516 11/1994 Newman et al. D7/580
D. 362,572 9/1995 Joseph, Jr. D6/511
2,114,086 4/1938 Reilly 62/46
2,825,617 3/1958 Morgan D15/89
4,424,687 1/1984 Morgan 62/457
5,052,184 10/1991 Jarvis 62/60

Primary Examiner—Sandra L. Morris
Attorney, Agent, or Firm—James A. Hudak

[57] **CLAIM**

The ornamental design for an ice holding and draining basket, as shown and described.

DESCRIPTION

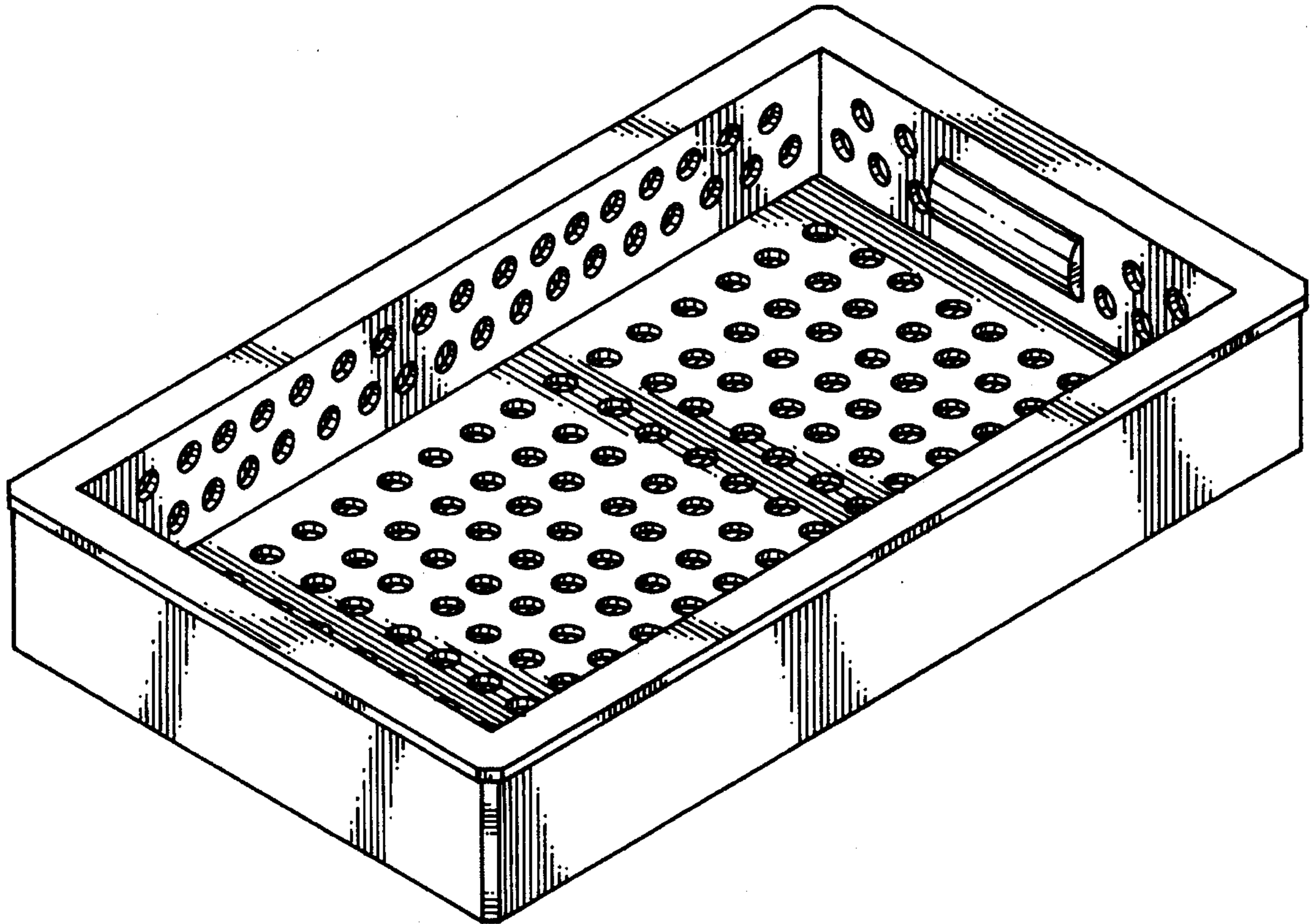
FIG. 1 is a perspective view of the ice holding and draining basket showing my new design;
FIG. 2 is a front elevational view thereof, the rear elevational view being a mirror image of the view shown in this Figure;
FIG. 3 is a right side elevational view thereof, the left side elevational view being a mirror image of the view shown in this Figure;
FIG. 4 is a top plan view thereof; and,
FIG. 5 is a bottom plan view thereof.

[56] **References Cited**

U.S. PATENT DOCUMENTS

D. 106,419 10/1937 Barber D15/89
D. 189,148 11/1960 Wille D7/667
D. 250,443 12/1978 Romanoff D7/550
D. 258,212 12/1981 Negrete D7/550
D. 314,307 2/1991 Bush D7/667
D. 327,534 6/1992 Manville et al. D7/667
D. 330,314 10/1992 Ruth D7/667

1 Claim, 3 Drawing Sheets



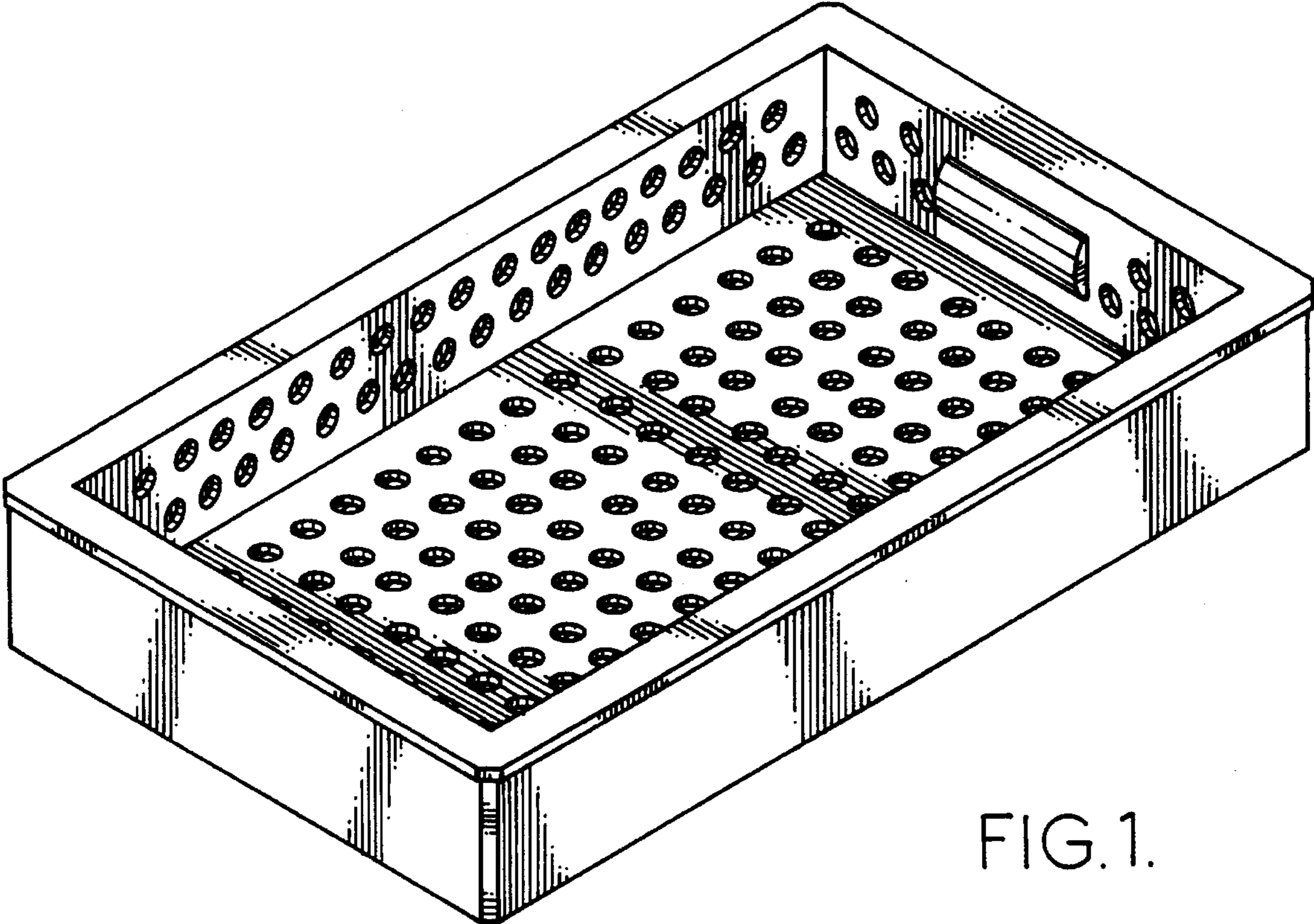


FIG.1.

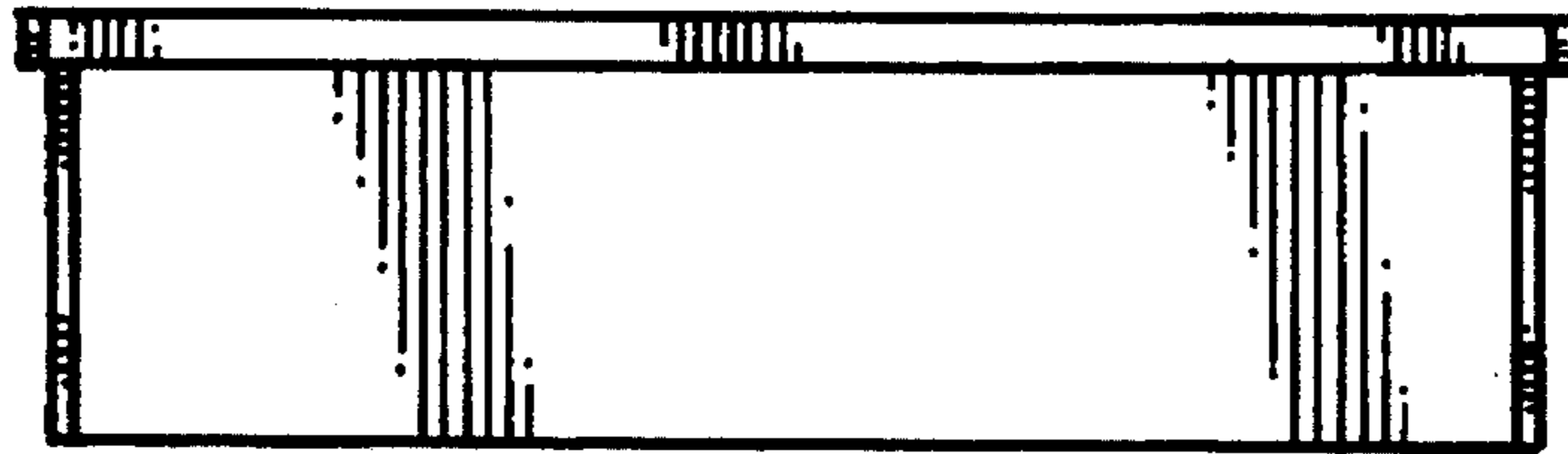


FIG. 2.

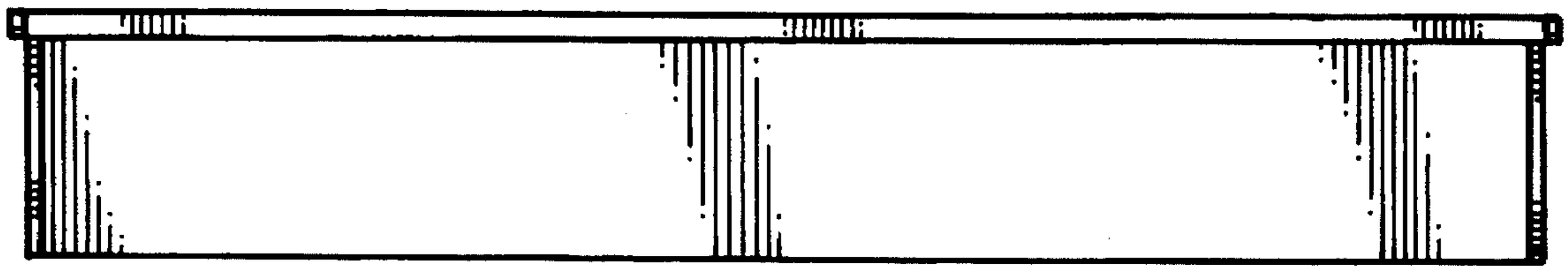


FIG. 3.

FIG. 4.

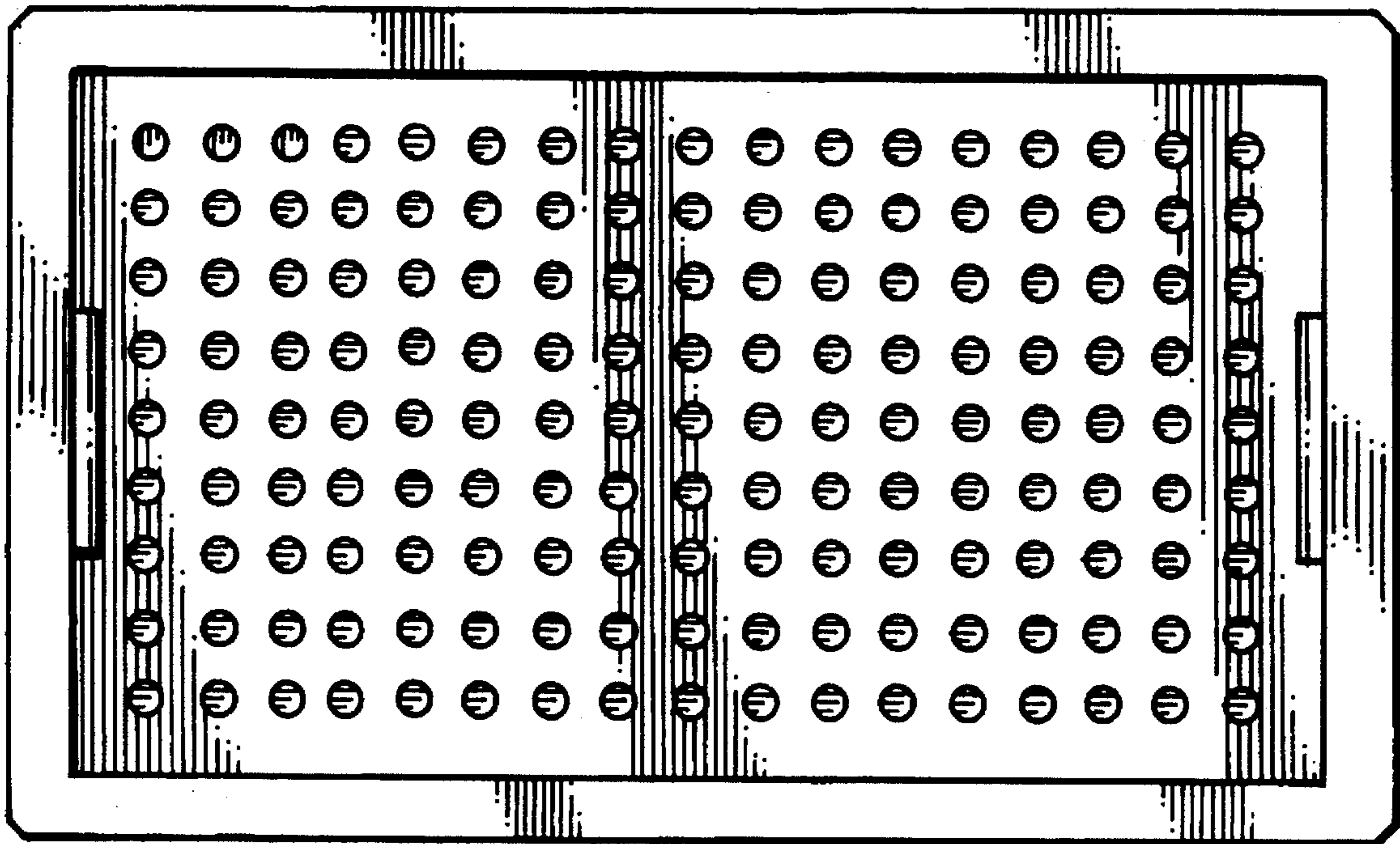


FIG. 5.

