



US00D377027S

United States Patent [19]

[11] Patent Number: **Des. 377,027**

Tyler et al.

[45] Date of Patent: ****Dec. 31, 1996**

[54] **TROLLING MOTOR FOOT PEDAL CONTROL**

4,527,983	7/1985	Booth	440/7
4,631,034	12/1986	Menne et al.	440/7
4,964,820	10/1990	Rayborn	440/7

[75] Inventors: **Calvin Tyler**, Gadsen, Ala.; **Prentice Moore**, Starkville, Miss.; **Jack Robbins**, Derby, Kans.

Primary Examiner—Louis S. Zarfaz
Assistant Examiner—Frank Martinez
Attorney, Agent, or Firm—Rosenblatt & Redano, P.C.

[73] Assignee: **Brunswick Corportion**, Lake Forest, Ill.

[57] **CLAIM**

[**] Term: **14 Years**

The ornamental design for a trolling motor foot pedal control, as shown and described.

[21] Appl. No.: **37,865**

DESCRIPTION

[22] Filed: **Apr. 21, 1995**

[52] U.S. Cl. **D15/4**

[58] Field of Search **D15/4; 84/426, 84/721, 746; 440/6, 7**

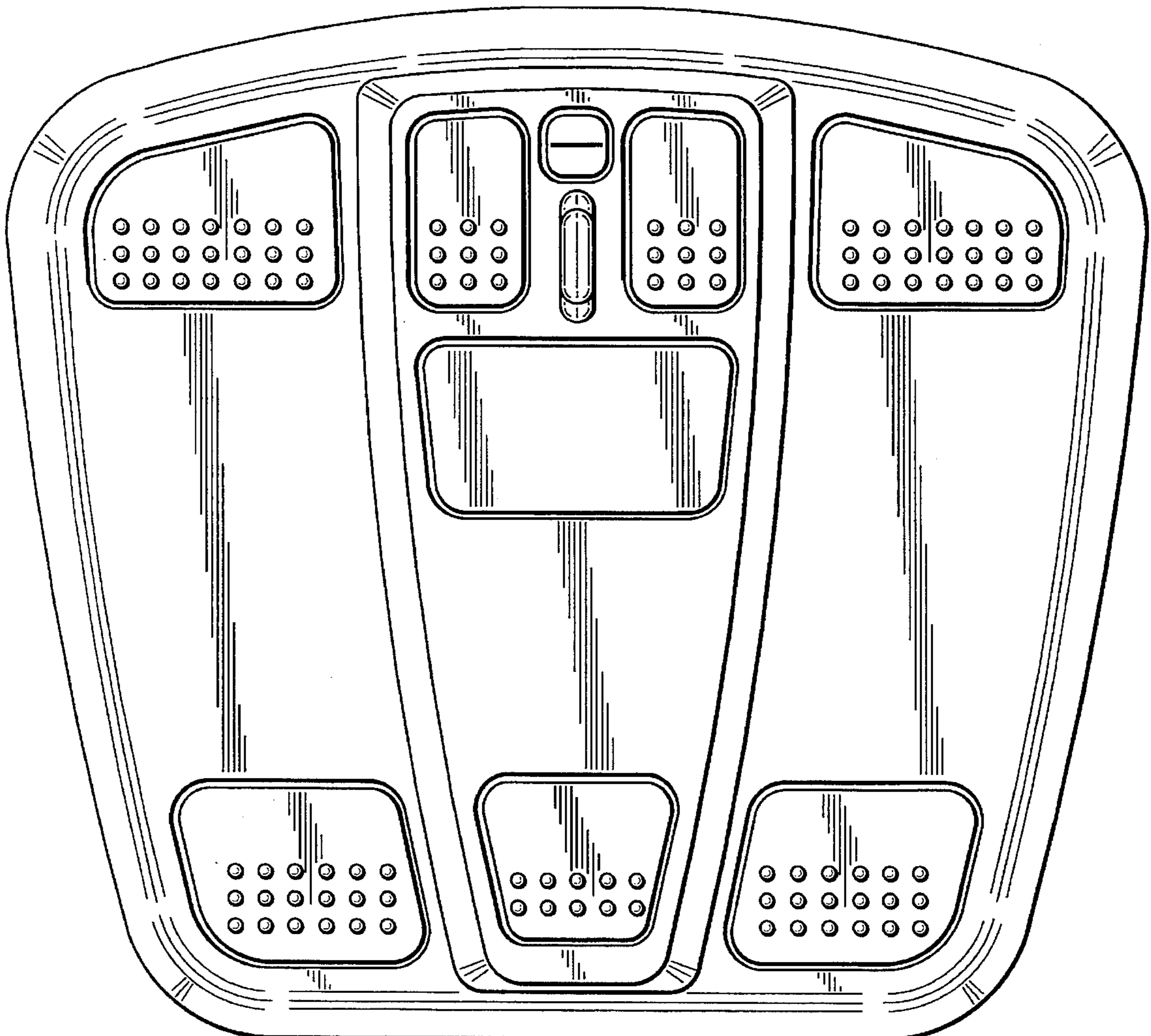
FIG. 1 is a top view of the trolling motor foot pedal control; FIG. 2 is a bottom view of the trolling motor foot pedal control; FIG. 3 is a left view of the trolling motor foot pedal control; FIG. 4 is a right view of the trolling motor foot pedal control; FIG. 5 is a front view of the trolling motor foot pedal control; and, FIG. 6 is a back view of the trolling motor foot pedal control.

[56] **References Cited**

U.S. PATENT DOCUMENTS

3,598,947	8/1971	Osborn	440/7 X
3,995,579	12/1976	Childre	440/7

1 Claim, 2 Drawing Sheets



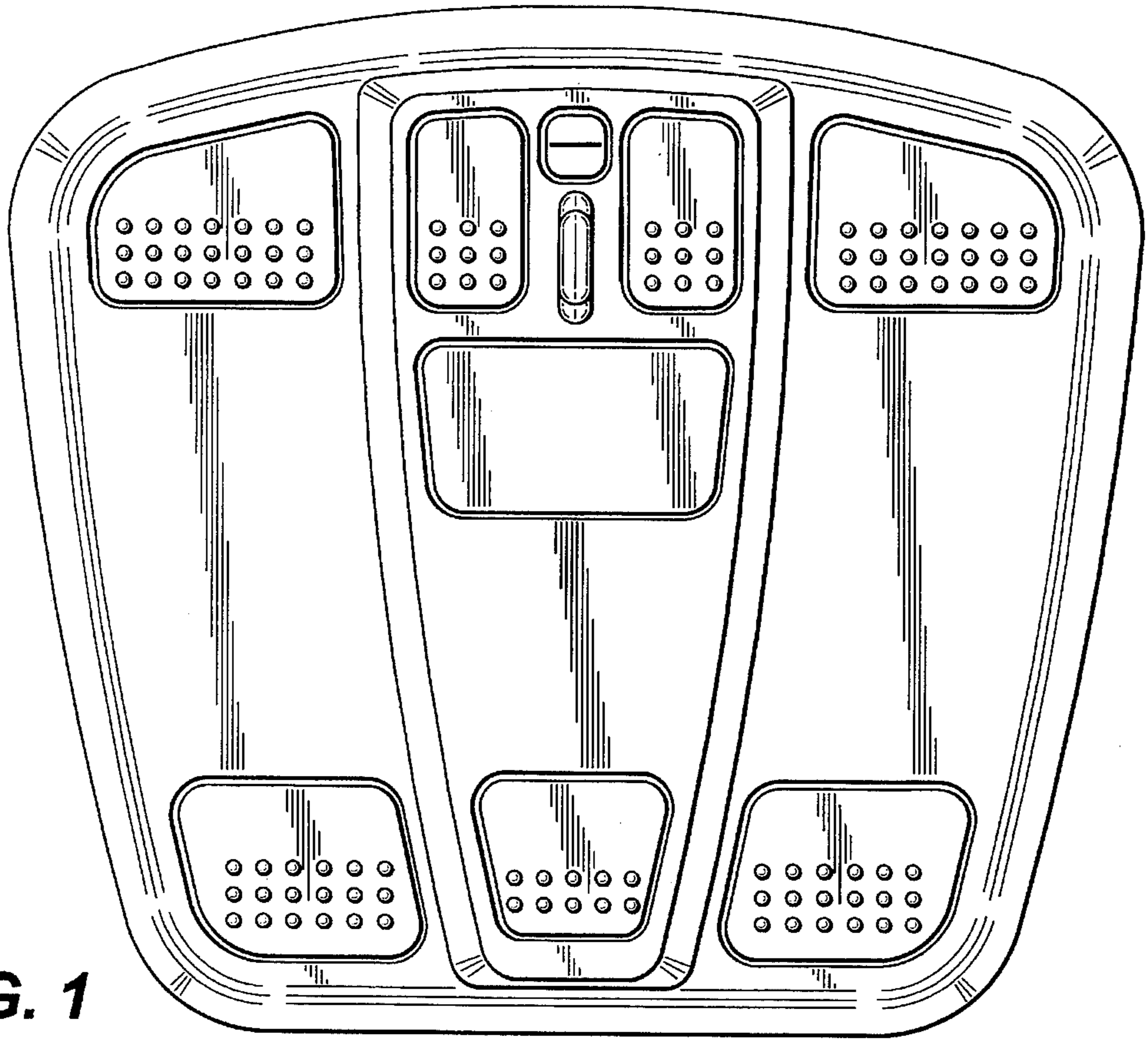


FIG. 1

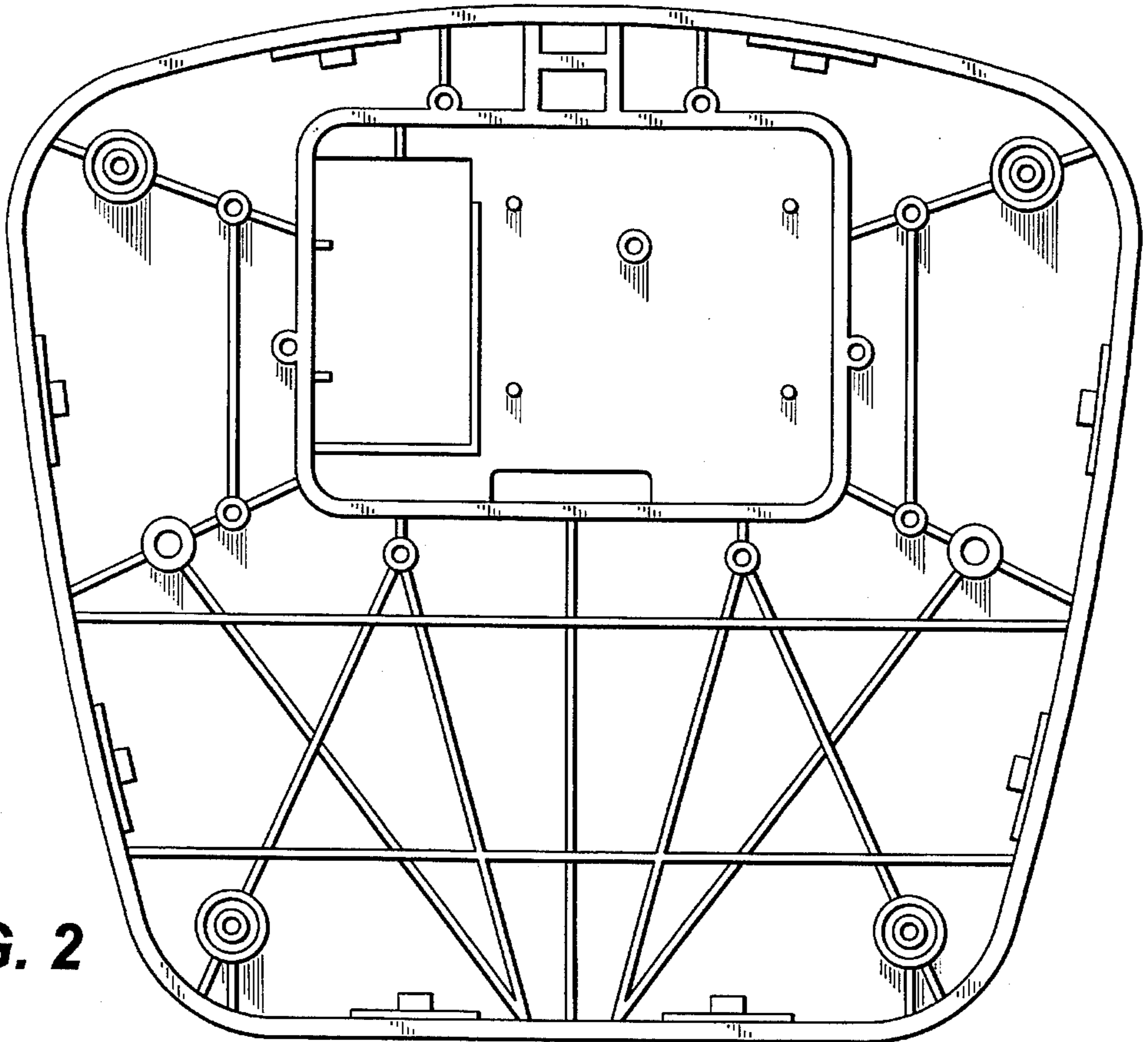


FIG. 2

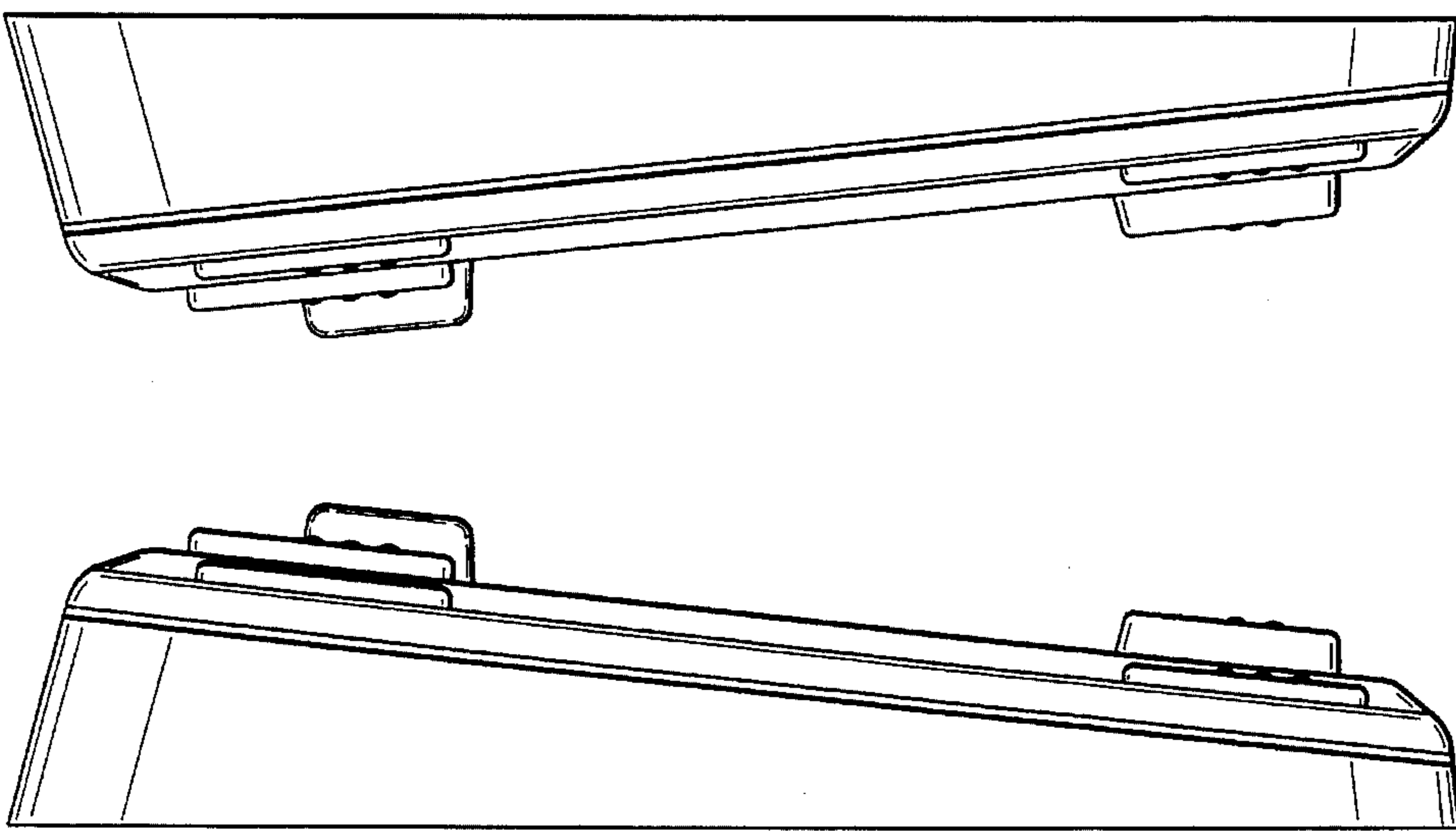


FIG. 4

FIG. 3

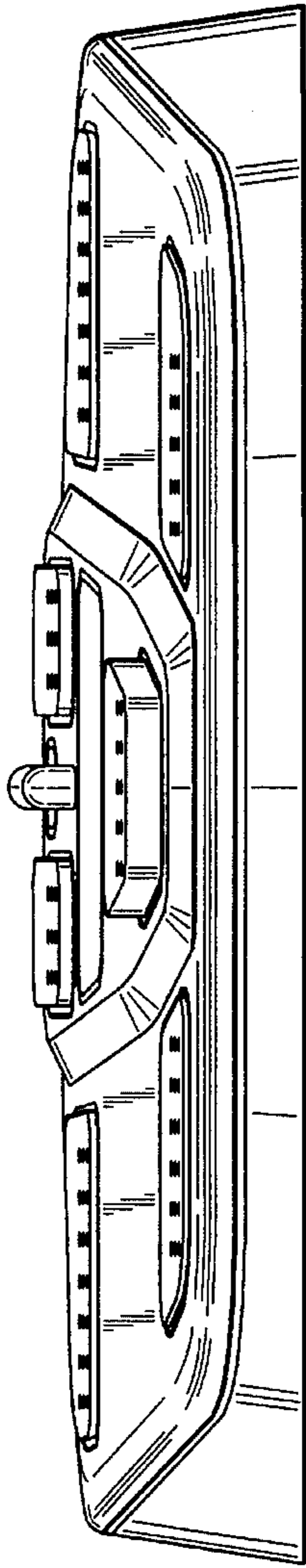


FIG. 5

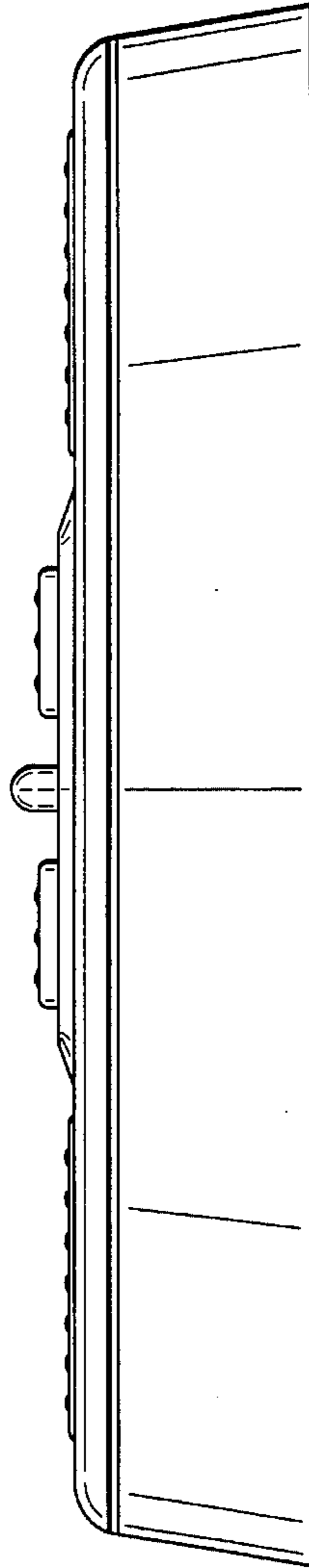


FIG. 6