



US00D377018S

United States Patent [19]

Suzuki et al.

[11] Patent Number: **Des. 377,018**

[45] Date of Patent: ****Dec. 31, 1996**

- [54] **PAGER**
- [75] Inventors: **Masataka Suzuki; Shuji Yamaguchi,**
both of Tokyo, Japan
- [73] Assignee: **NEC Corporation,** Tokyo, Japan
- [**] Term: **14 Years**
- [21] Appl. No.: **44,699**
- [22] Filed: **Sep. 29, 1995**
- [30] **Foreign Application Priority Data**
- Mar. 31, 1995 [JP] Japan 7-8923
- [52] **U.S. Cl.** **D14/191**
- [58] **Field of Search** D14/124, 188,
D14/191-192, 299; 340/311.1; 455/38.1-38.4,
90, 92, 100, 128, 344

- D. 311,188 10/1990 Oyamada et al. D14/191
- D. 352,714 11/1994 Ichikawa et al. D14/188

Primary Examiner—Sandra L. Morris
Assistant Examiner—Nanda Bondade
Attorney, Agent, or Firm—Sughrue, Mion, Zinn, Macpeak & Seas

[57] CLAIM

The ornamental design for a pager, as shown.

DESCRIPTION

FIG. 1 is a perspective view of the top, front and right side of a pager showing our new design;
 FIG. 2 is a front elevational view thereof;
 FIG. 3 is a rear elevational view thereof;
 FIG. 4 is a right side elevational view thereof;
 FIG. 5 is a left side elevational view thereof;
 FIG. 6 is a top plan view thereof; and,
 FIG. 7 is a bottom plan view thereof.

[56] References Cited

U.S. PATENT DOCUMENTS

- D. 305,024 12/1989 Nishiyori D14/188 X

1 Claim, 2 Drawing Sheets

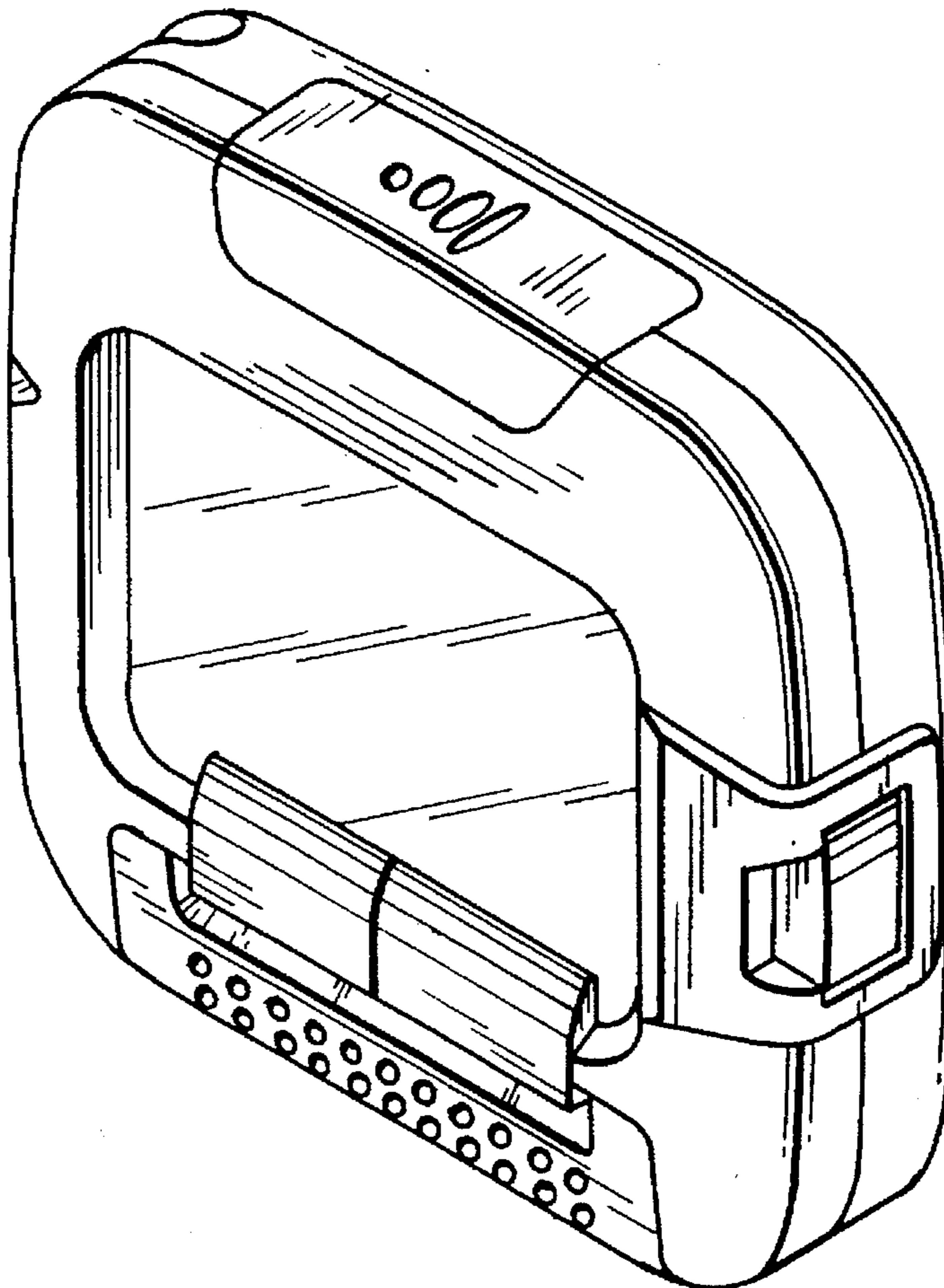


FIG. 1

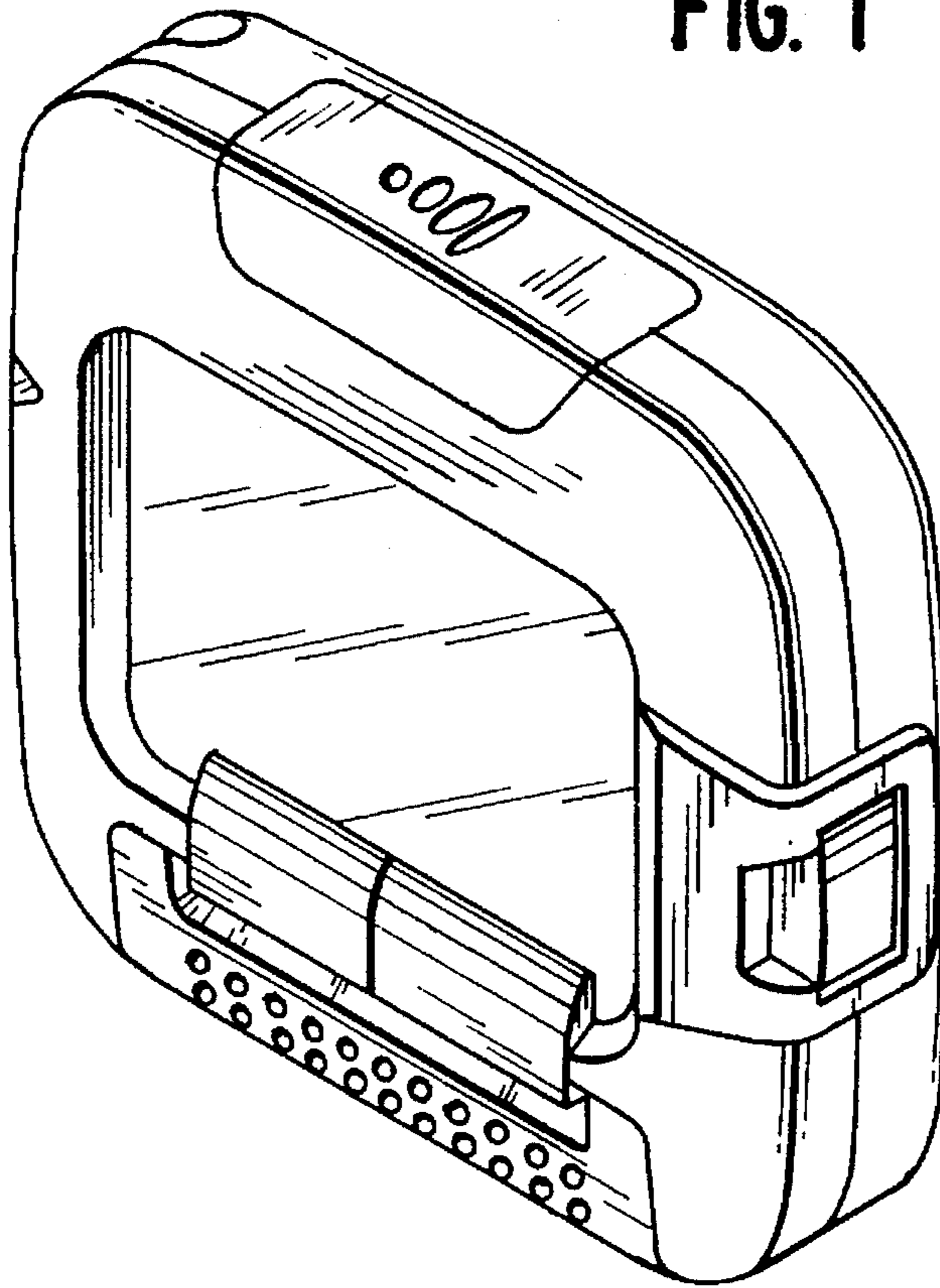


FIG. 2

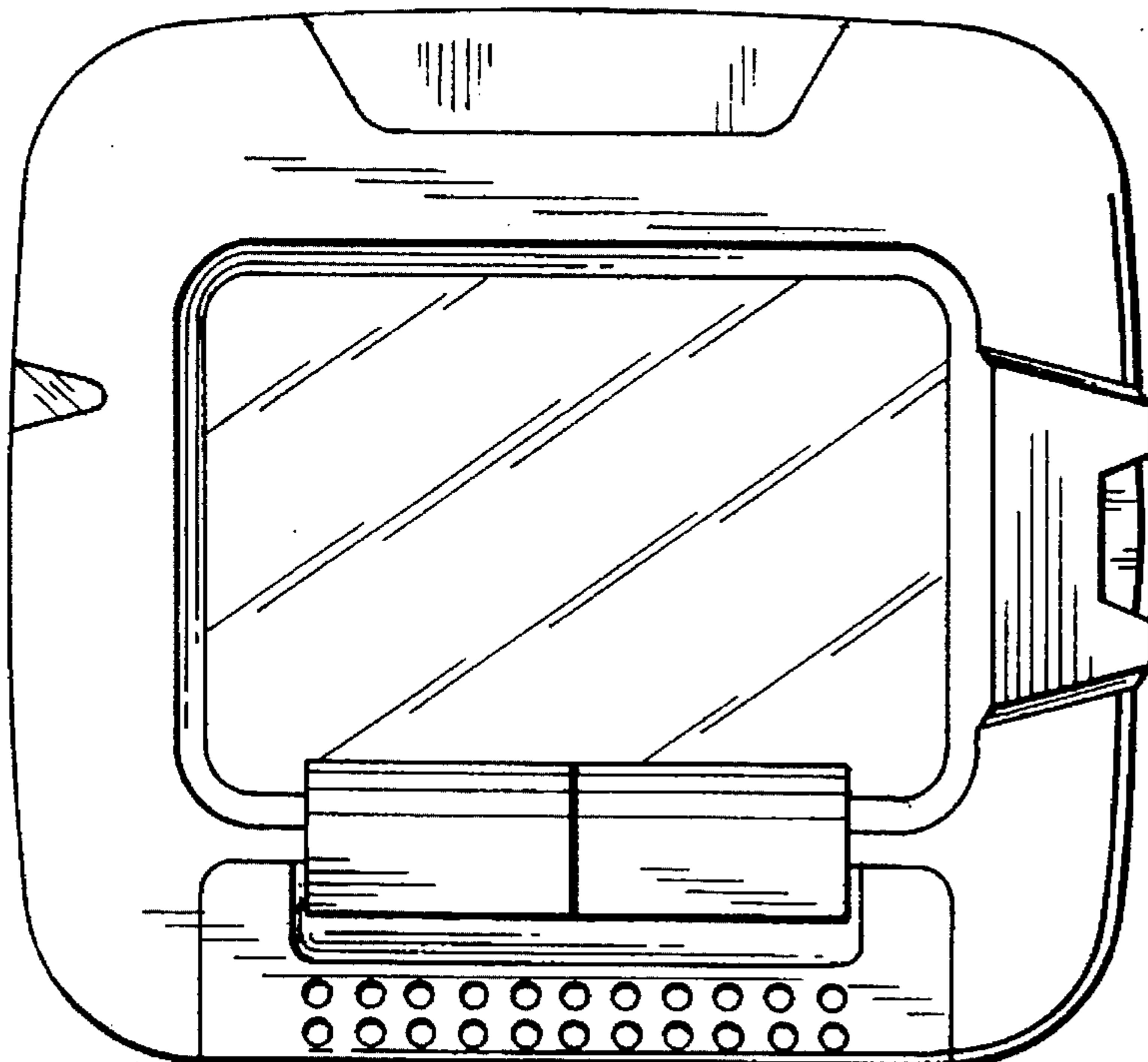


FIG. 3

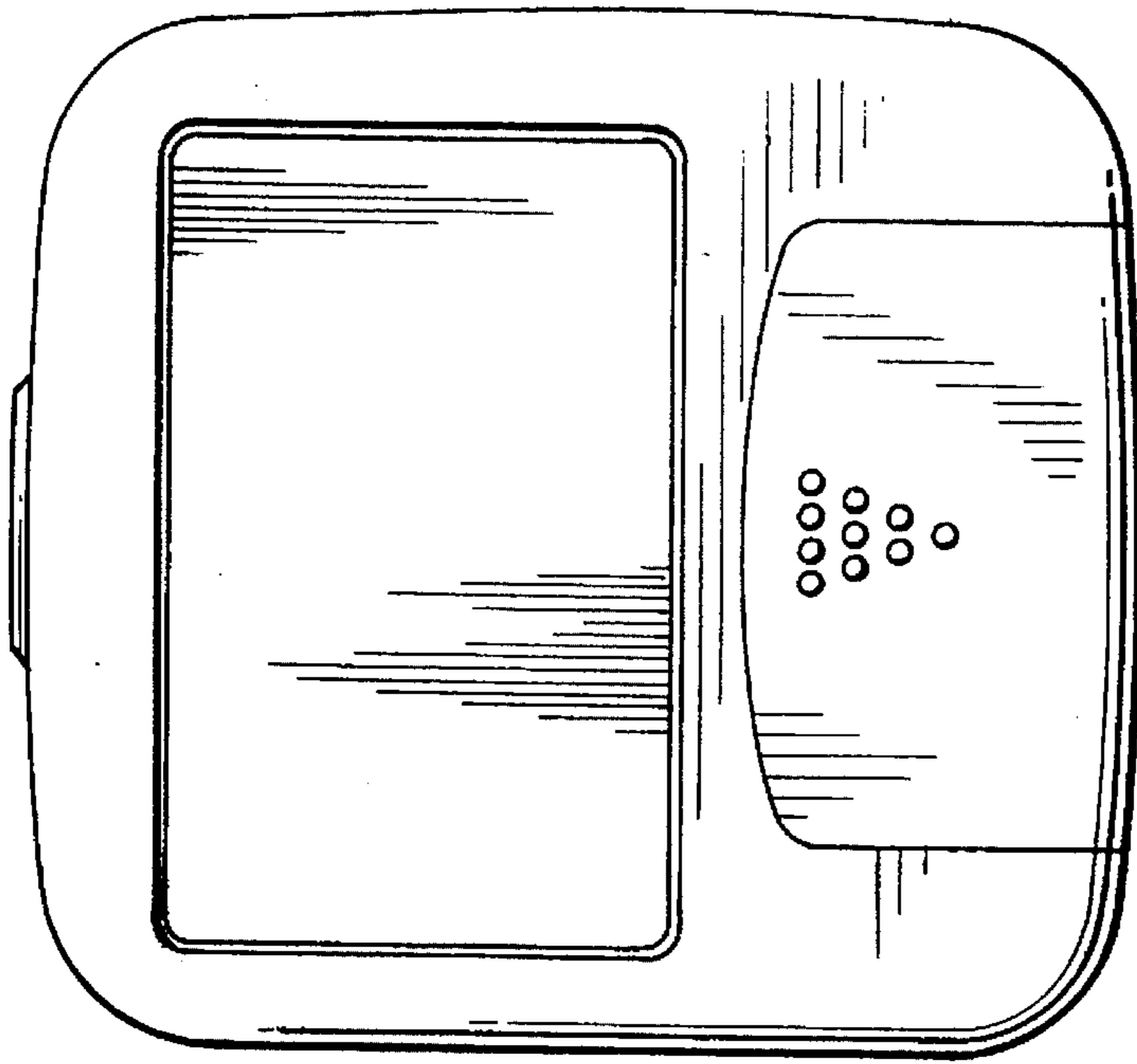


FIG. 4

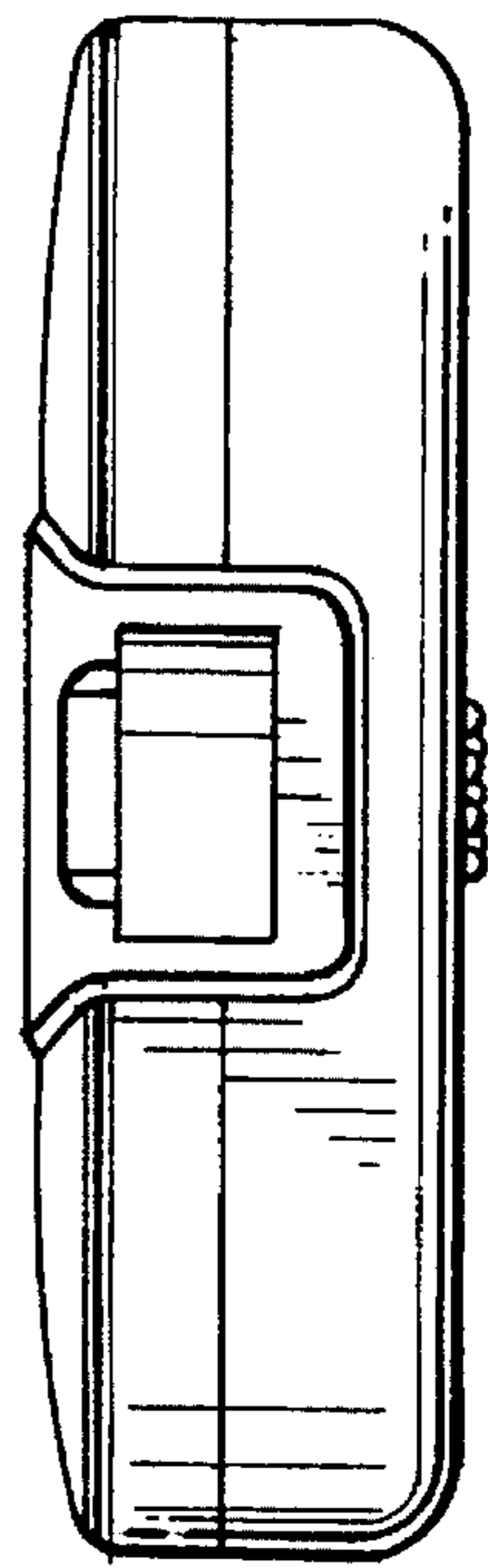


FIG. 5

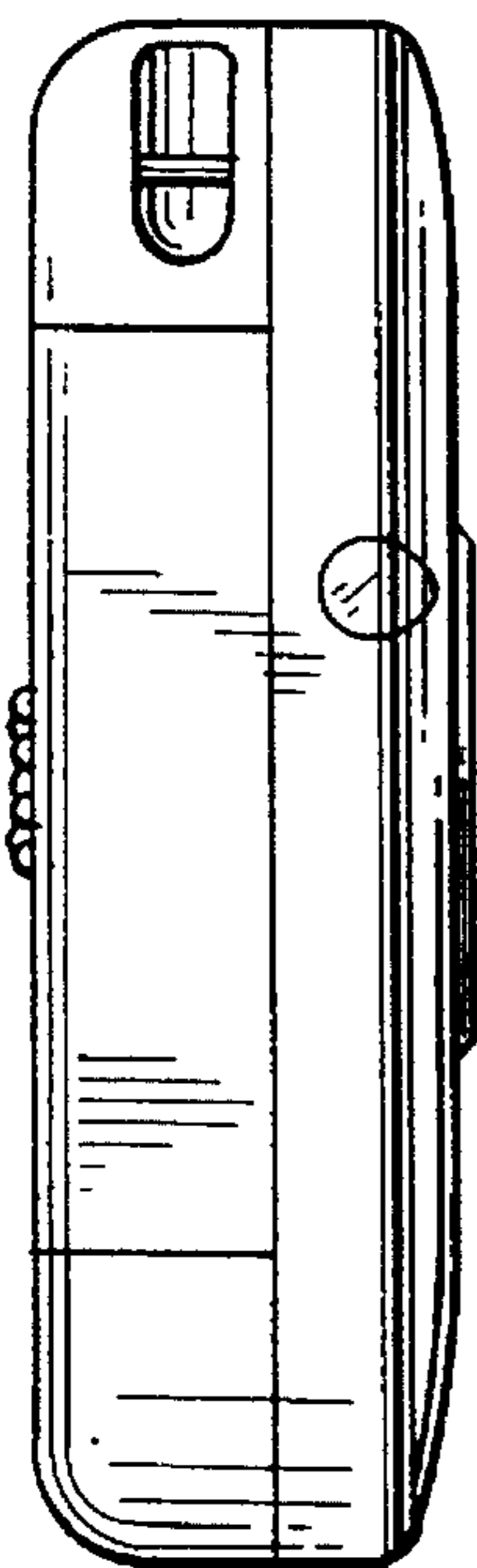


FIG. 6

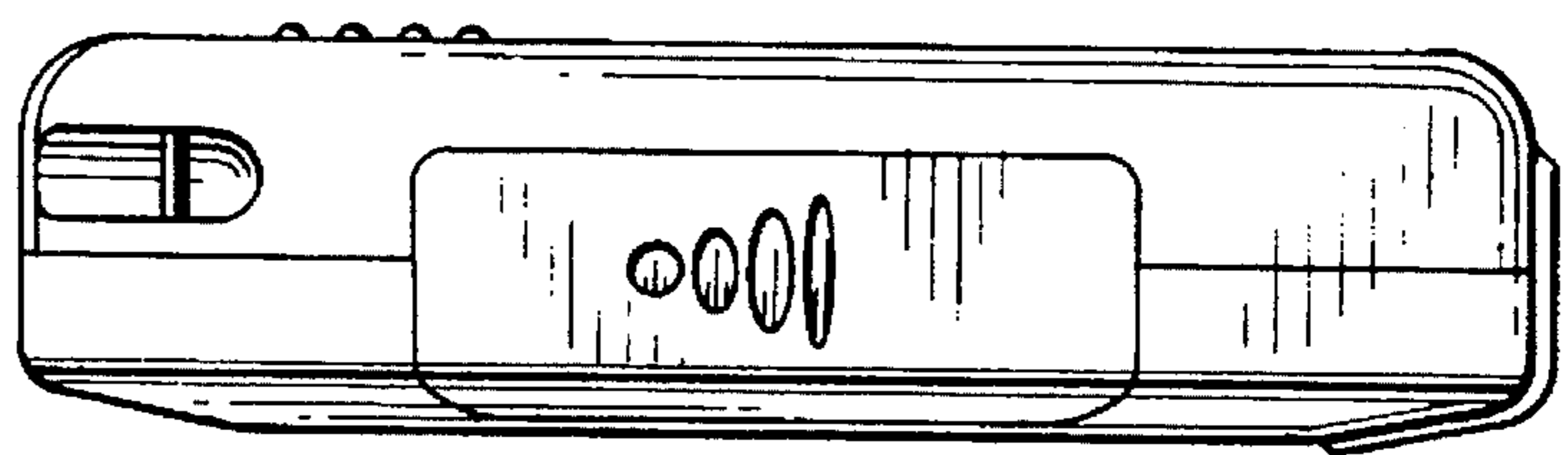


FIG. 7

